



US00D589389S

(12) **United States Design Patent**
Lax

(10) **Patent No.:** **US D589,389 S**

(45) **Date of Patent:** **** Mar. 31, 2009**

(54) **FIRE/SMOKE ALARM AND DETECTOR**

(76) Inventor: **Samuel Lax**, 15415 Lemarsh St.,
Mission Hills, CA (US) 91345-2602

(**) Term: **14 Years**

(21) Appl. No.: **29/317,404**

(22) Filed: **Apr. 29, 2008**

(51) **LOC (9) Cl.** **10-05**

(52) **U.S. Cl.** **D10/106**

(58) **Field of Classification Search** D10/104,
D10/106, 40-45; 340/521, 540-545, 555,
340/558, 571, 572, 573, 628-630; 362/82,
362/83, 186, 253; 58/50 R

See application file for complete search history.

(56) **References Cited**

U.S. PATENT DOCUMENTS

| | | | | | | |
|-----------|---|---|---------|---------------|-------|---------|
| D246,700 | S | * | 12/1977 | Gilson | | D10/106 |
| 4,525,703 | A | * | 6/1985 | Bellino | | 340/628 |
| D319,600 | S | * | 9/1991 | Kaiser et al. | | D10/106 |
| D569,744 | S | * | 5/2008 | Chism | | D10/40 |

2006/0033635 A1* 2/2006 Chen 340/693.6

* cited by examiner

Primary Examiner—Caron Veynar

Assistant Examiner—George D Kirschbaum

(74) *Attorney, Agent, or Firm*—Kelly Lowry & Kelley, LLP

(57) **CLAIM**

The ornamental design for a fire/smoke alarm and detector, as shown.

DESCRIPTION

FIG. 1 is a top, front and left-side perspective view of a fire/smoke alarm and detector embodying my new design;

FIG. 2 is a front elevational view thereof;

FIG. 3 is a rear elevation view thereof;

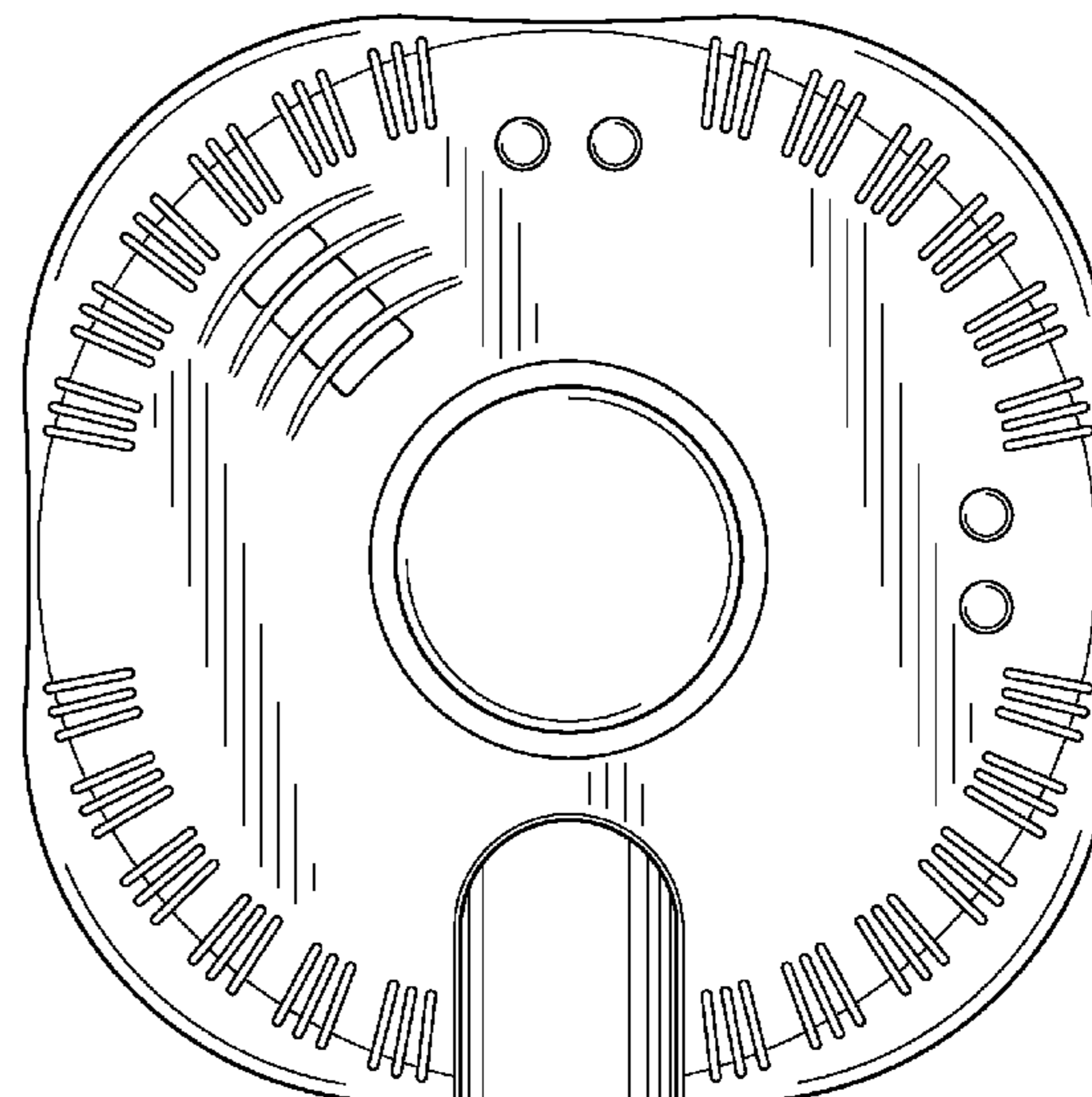
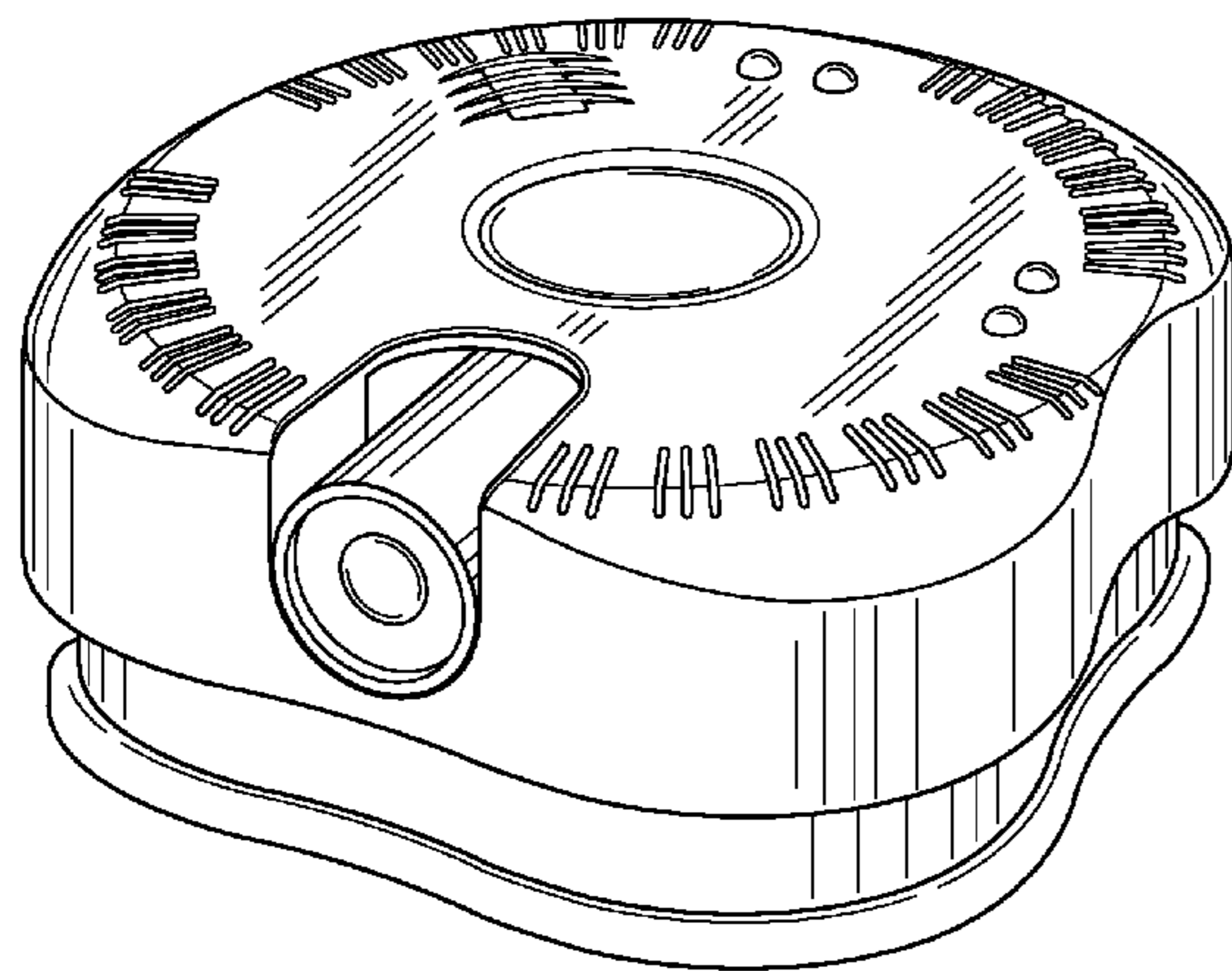
FIG. 4 is a left-side elevational view thereof;

FIG. 5 is a right-side elevational view thereof;

FIG. 6 is a top plan view thereof; and,

FIG. 7 is a bottom plan view thereof.

1 Claim, 3 Drawing Sheets



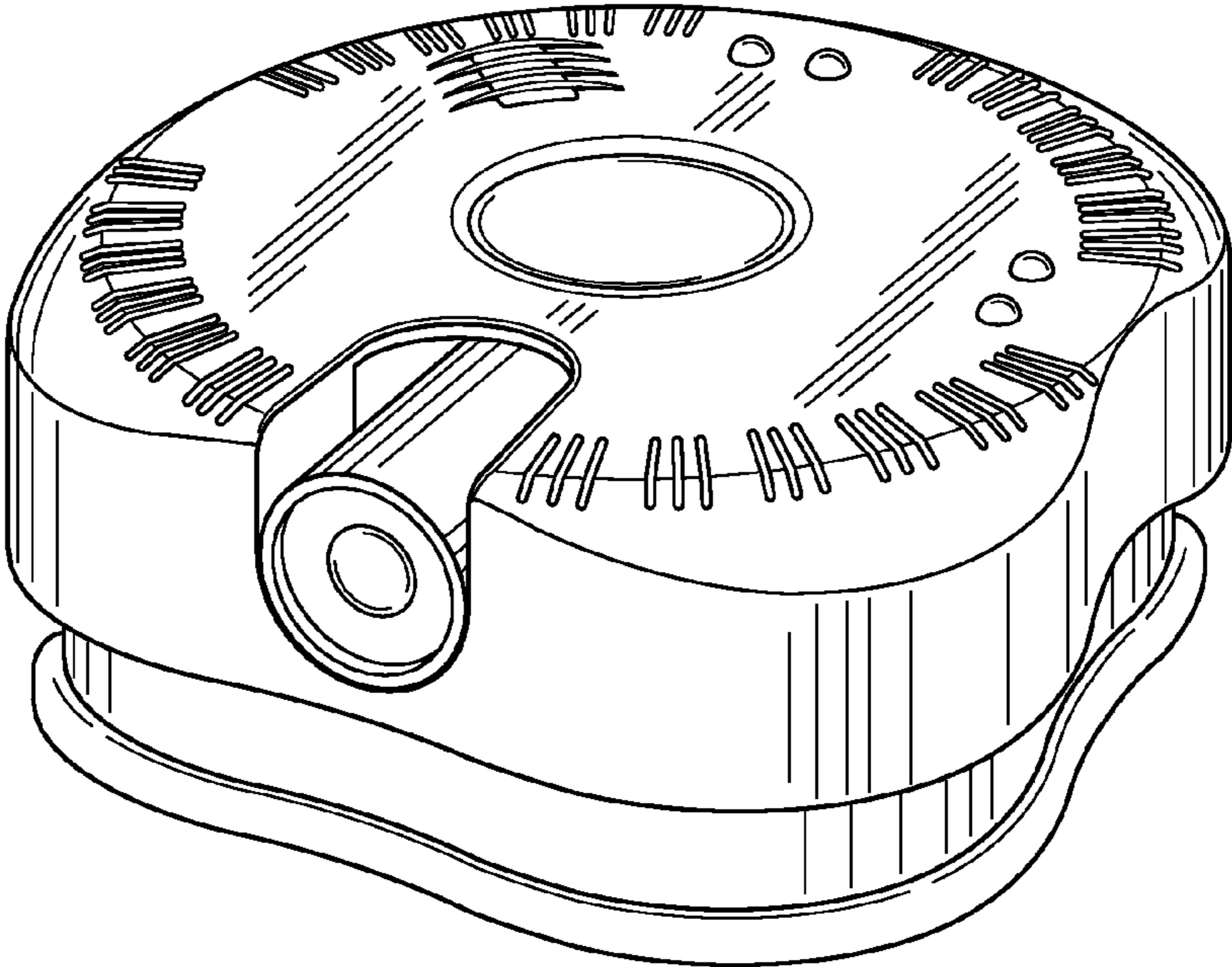


FIG. 1

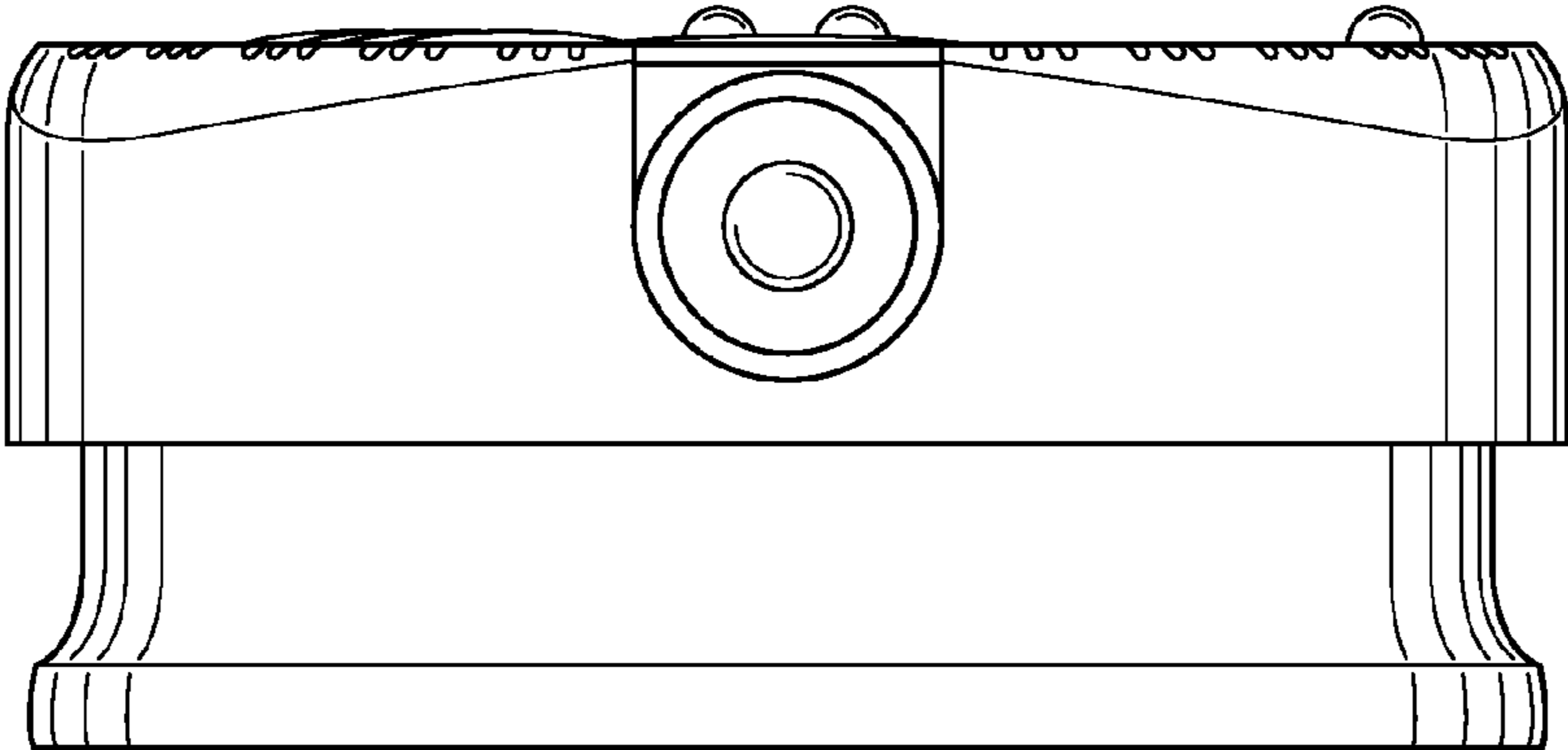


FIG. 2

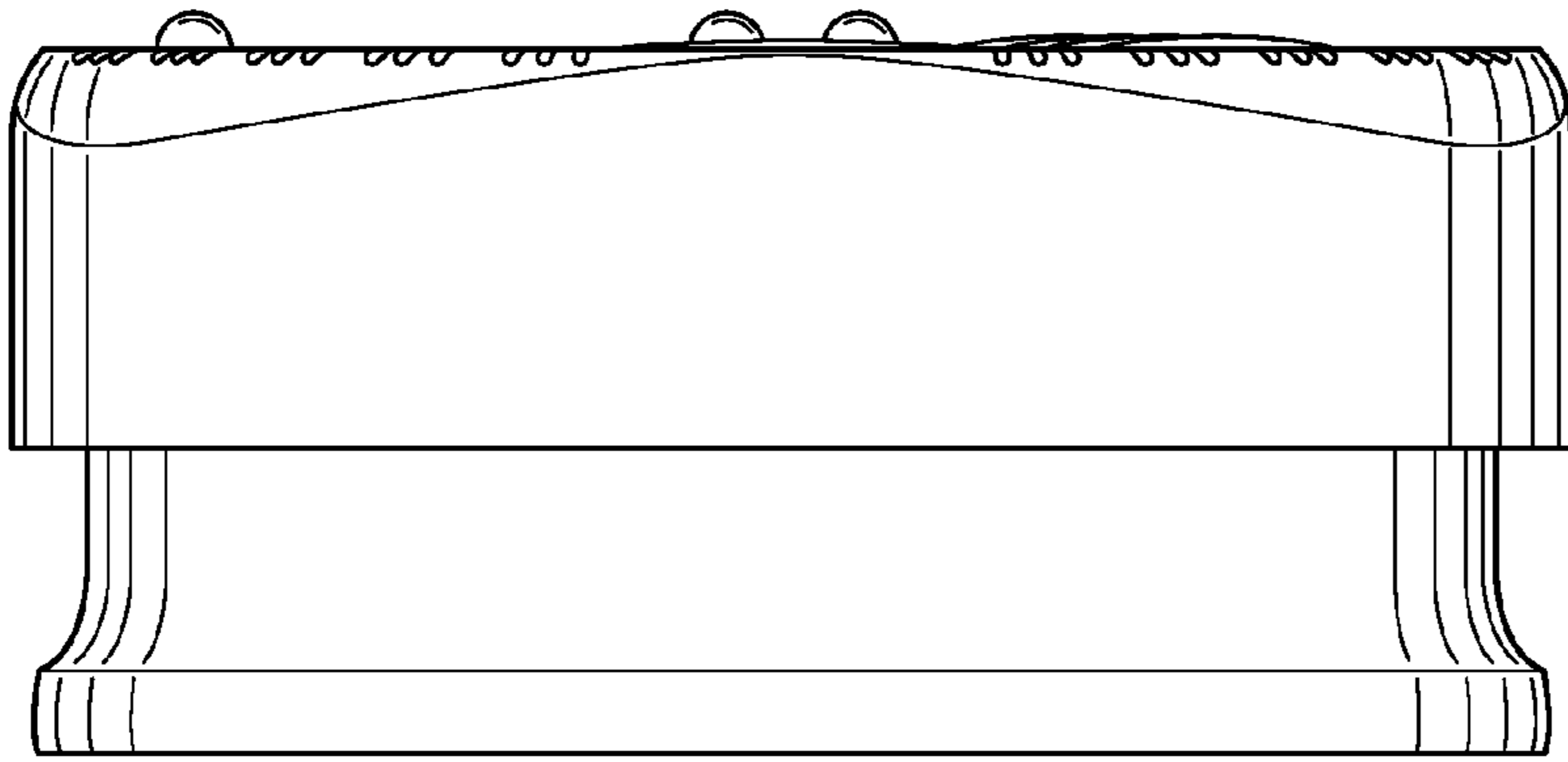


FIG. 3

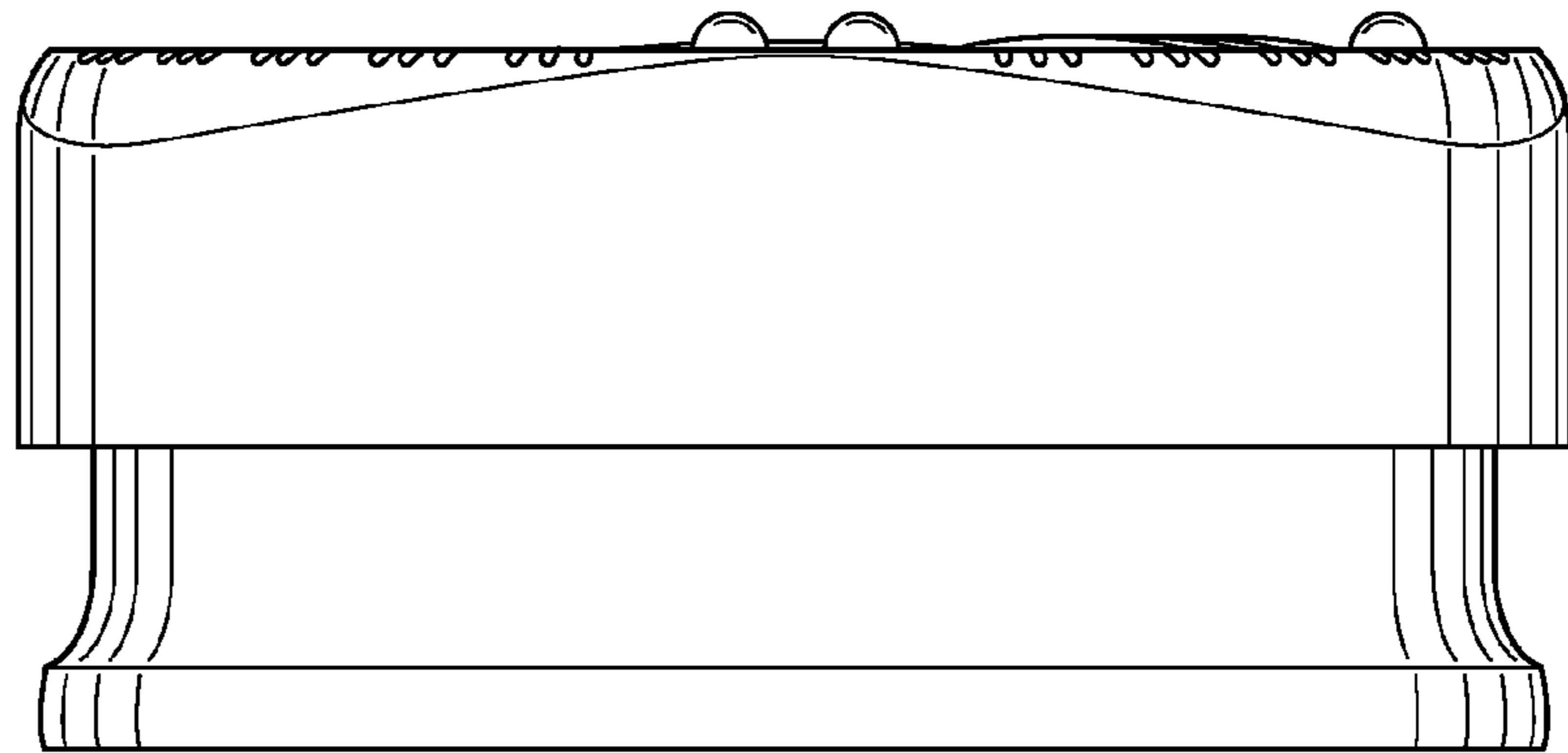


FIG. 4

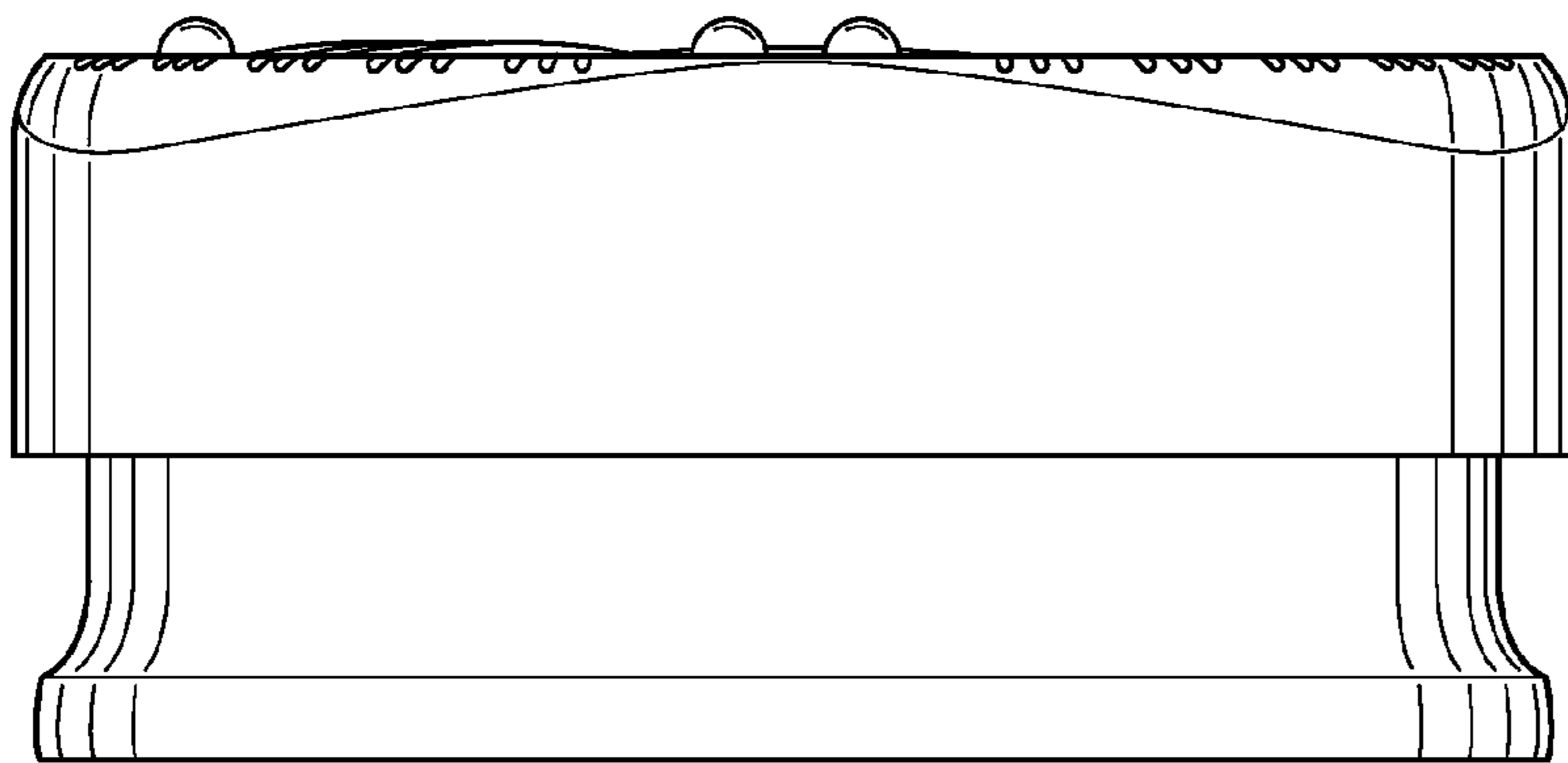


FIG. 5

FIG. 6

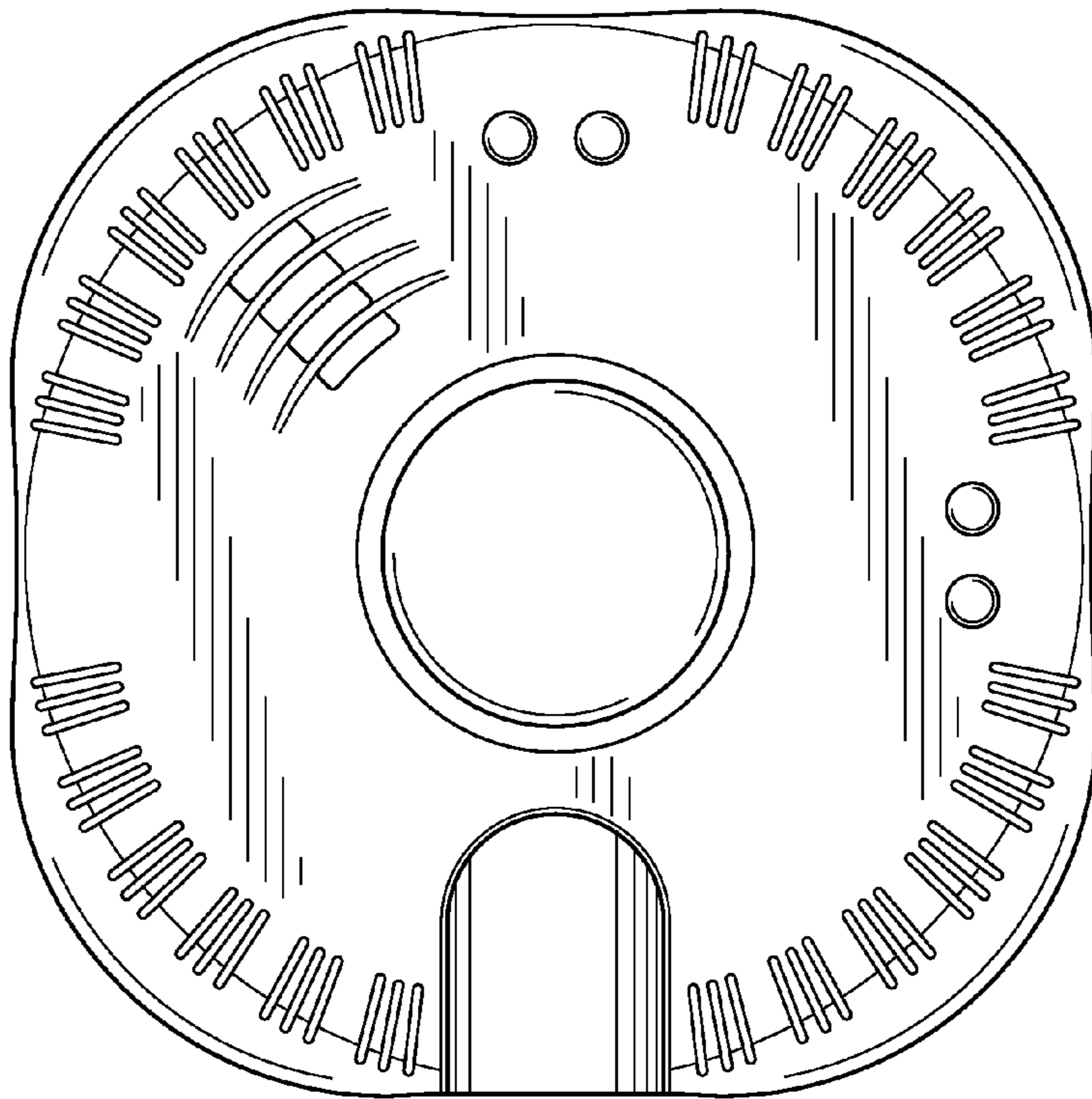


FIG. 7

