



US00D589386S

(12) **United States Design Patent**  
**Gretton**

(10) **Patent No.:** **US D589,386 S**

(45) **Date of Patent:** **\*\* \*Mar. 31, 2009**

(54) **MOUNT FOR AN ELECTRONIC DEVICE**

D457,511 S \* 5/2002 Yuen ..... D14/197  
D565,980 S \* 4/2008 Reeson et al. .... D10/74

(75) Inventor: **Mark Gretton**, London (GB)

(73) Assignee: **Tom Tom International BV**,  
Amsterdam (NL)

\* cited by examiner

(\* ) Notice: This patent is subject to a terminal disclaimer.

*Primary Examiner*—Antoine D Davis  
(74) *Attorney, Agent, or Firm*—Robert L. Epstein; Epstein Drangel Bazerman & James, LLP

(\*\*) Term: **14 Years**

(57) **CLAIM**

(21) Appl. No.: **29/297,923**

The ornamental design for a mount for an electronic device, as shown and described.

(22) Filed: **Nov. 21, 2007**

(51) **LOC (9) Cl.** ..... **10-04**

(52) **U.S. Cl.** ..... **D10/74**

(58) **Field of Classification Search** ..... D8/349;  
D10/74; D14/347; 73/178 R; 248/346.01,  
248/671, 904; 340/995; 342/351, 419, 457,  
342/357.06–357.13; 343/702; 345/87, 104,  
345/133, 156, 168, 173, 901–905; 348/180,  
348/184, 315, 739; 364/200, 434, 443, 444,  
364/449, 451, 708.1, 709.1; 701/206–209,  
701/213–214

See application file for complete search history.

**DESCRIPTION**

FIG. 1 is a perspective view showing the front and one side of my invention;

FIG. 2 is a front elevation view of my invention;

FIG. 3 is a back elevation view of my invention;

FIG. 4 is a left-side elevation view of my invention;

FIG. 5 is a right-side elevation view of my invention;

FIG. 6 is a top elevation view of my invention; and,

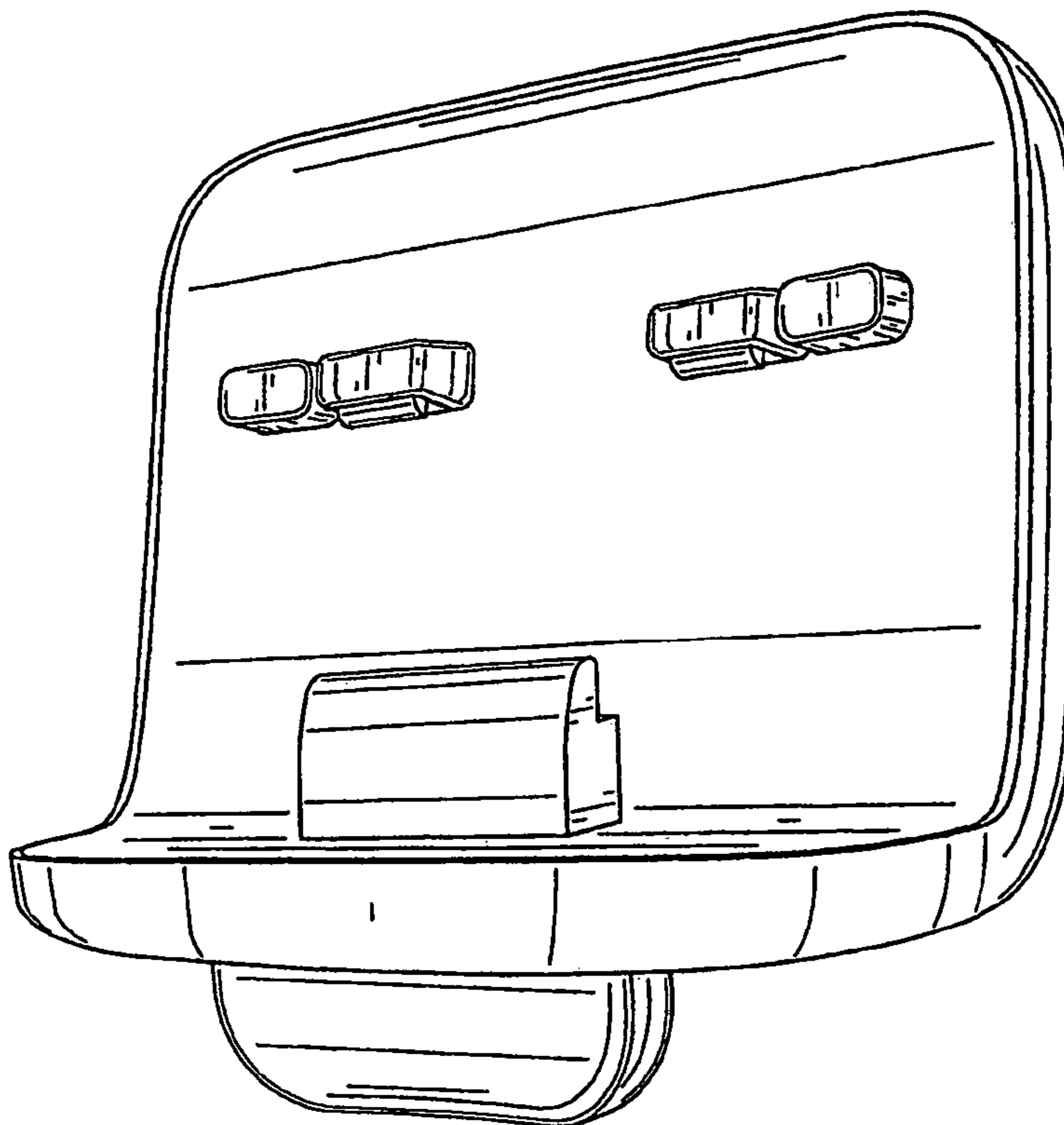
FIG. 7 is a bottom elevation view of my invention.

(56) **References Cited**

**U.S. PATENT DOCUMENTS**

D433,345 S \* 11/2000 Okada et al. .... D10/74

**1 Claim, 6 Drawing Sheets**



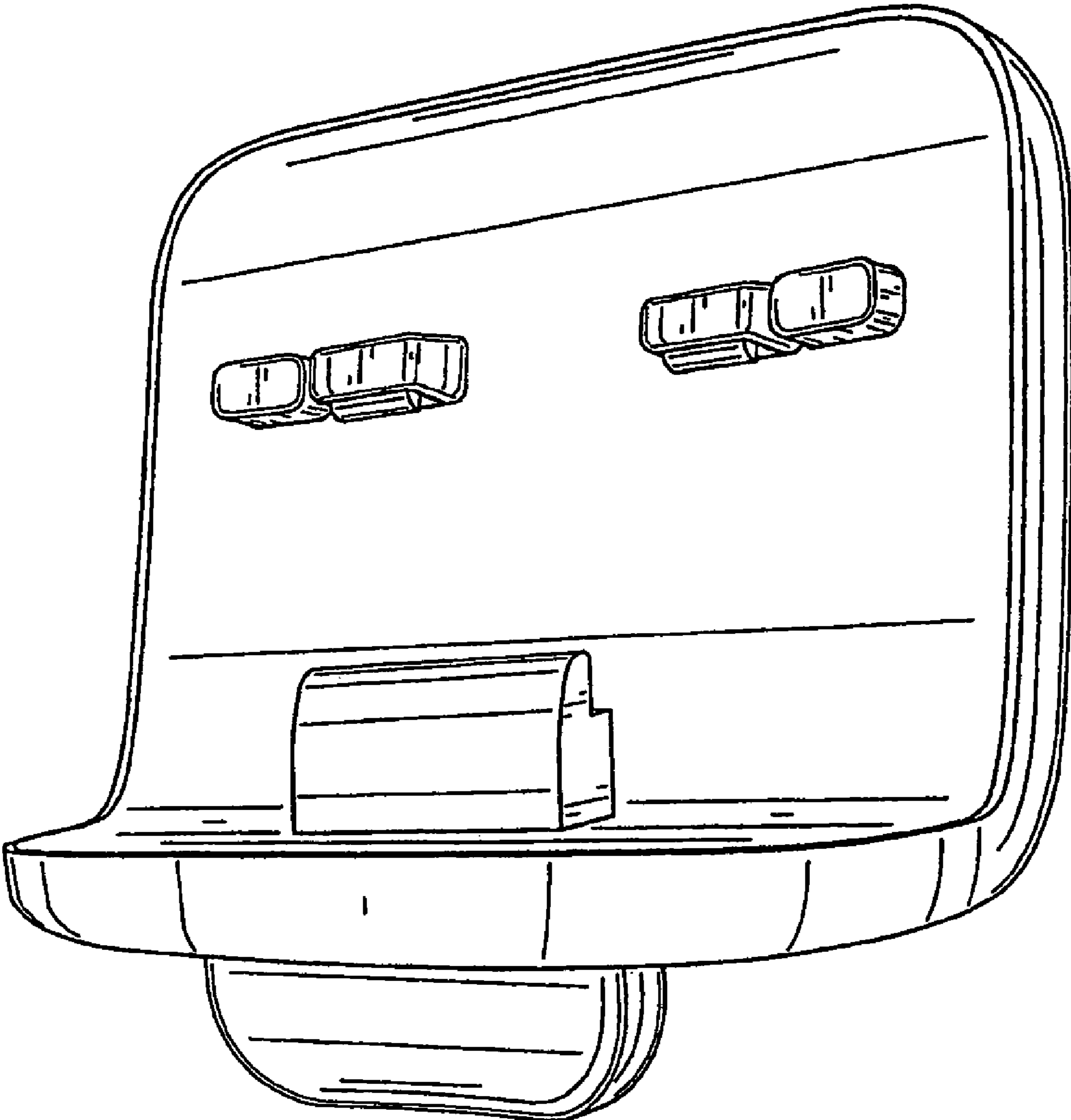


FIG. 1

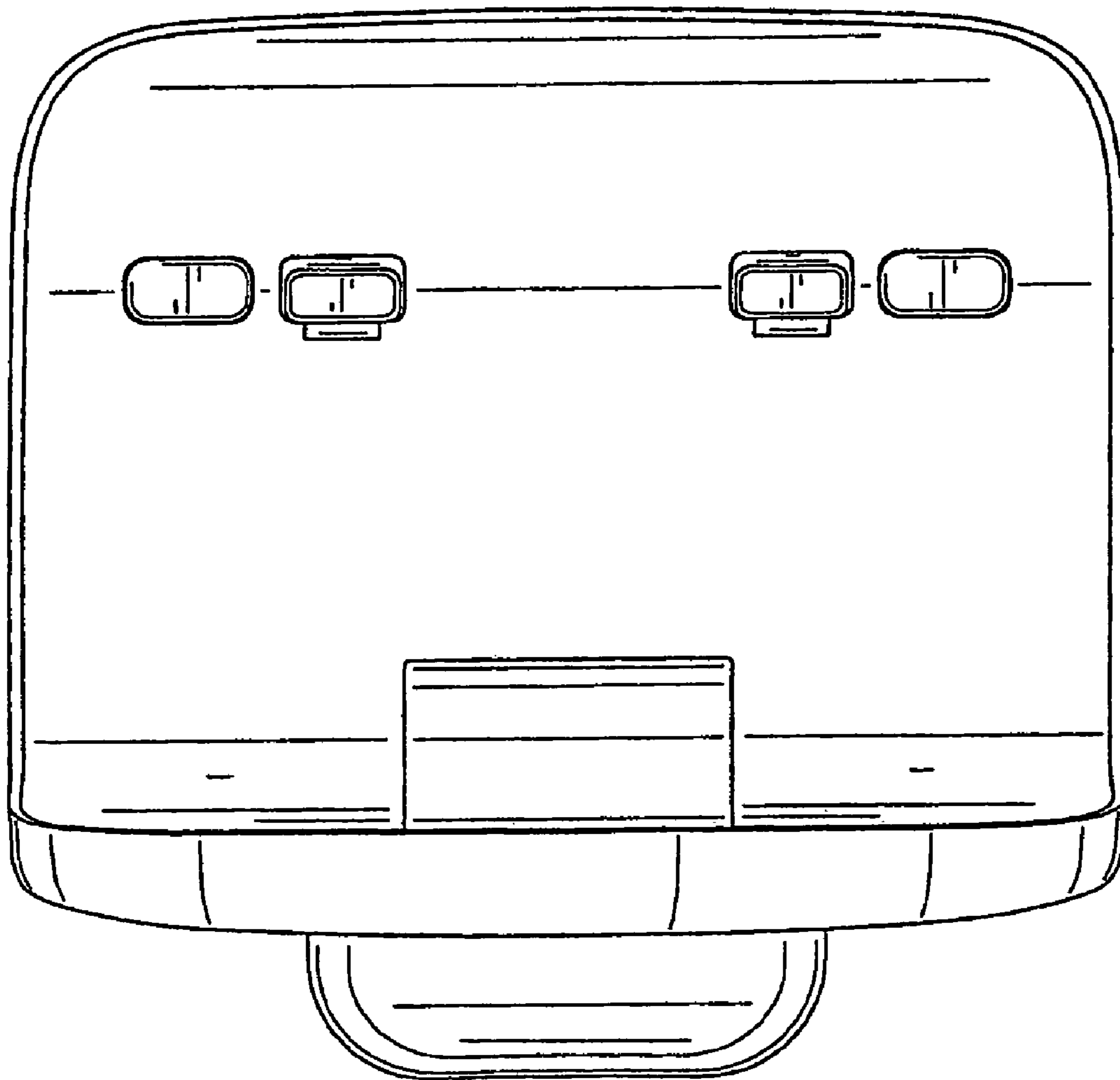


FIG. 2

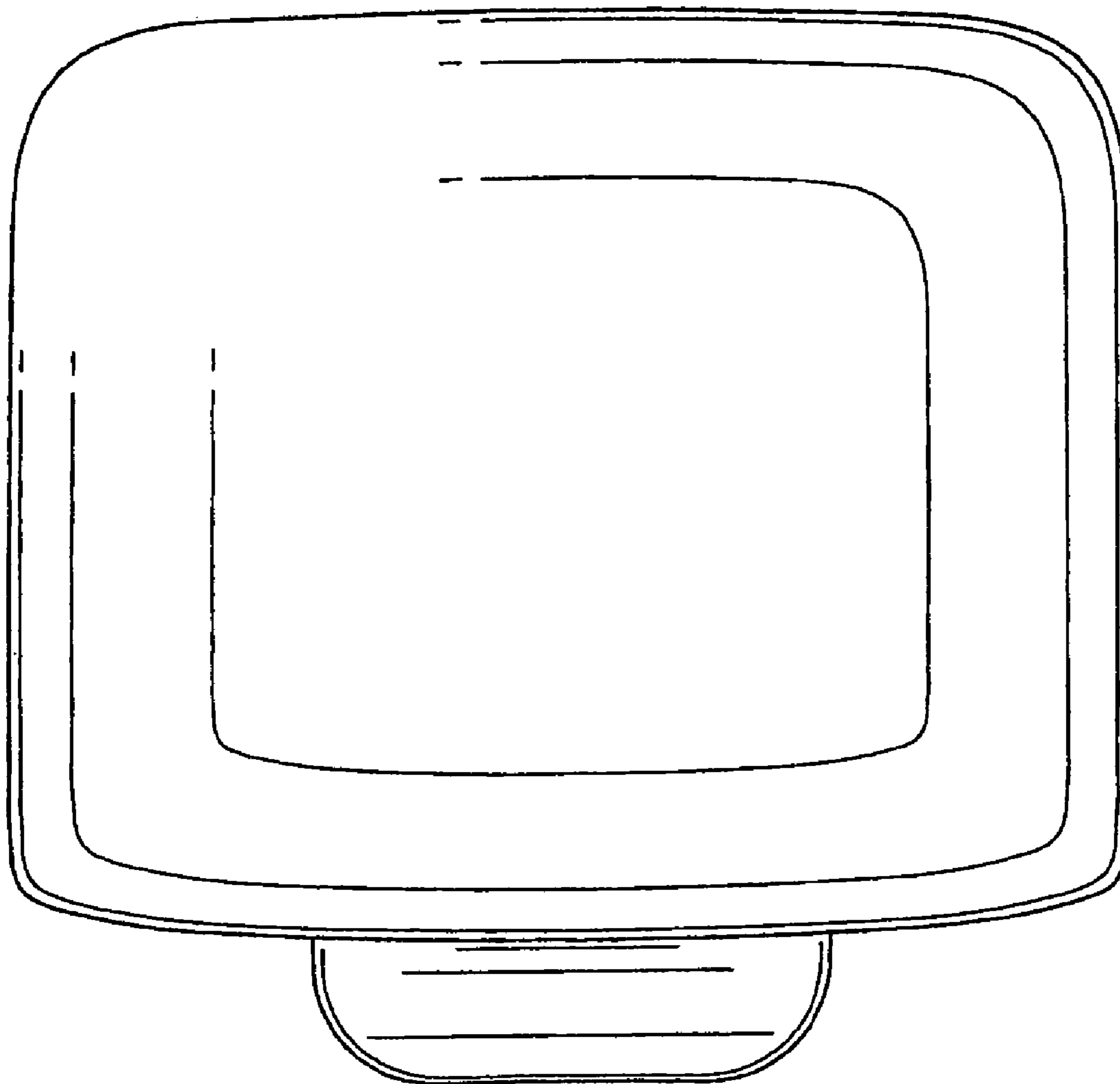


FIG. 3

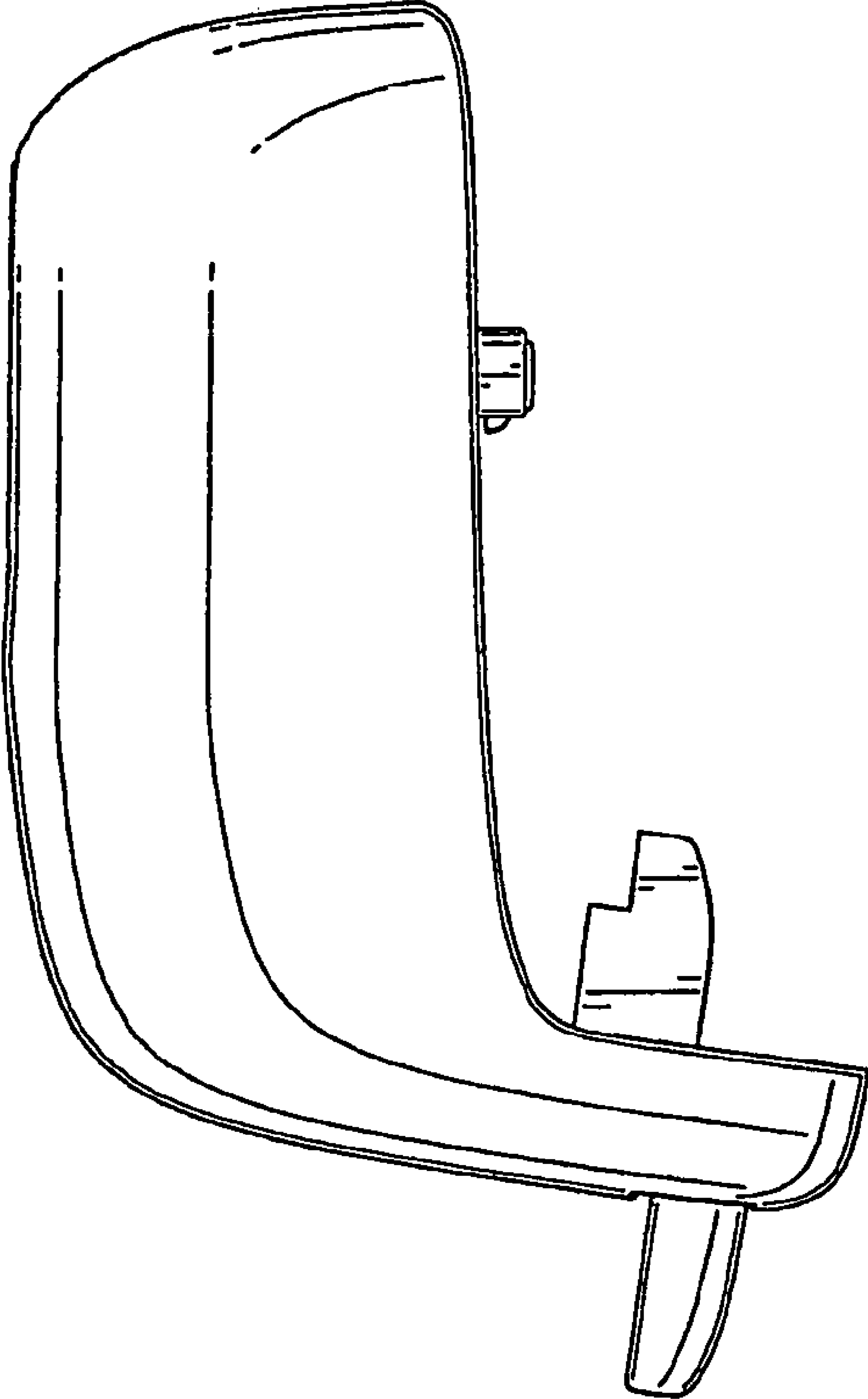


FIG. 4

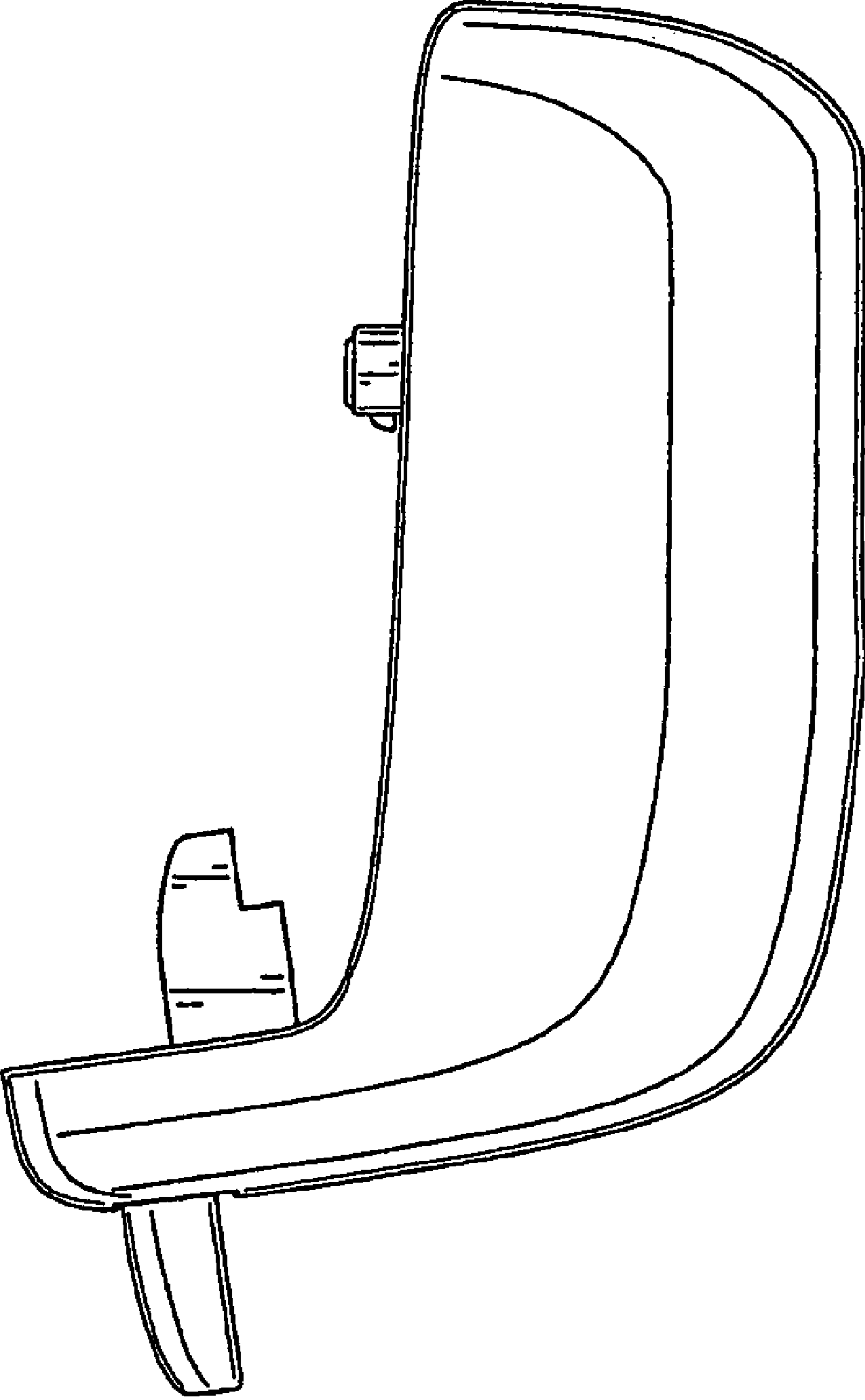


FIG. 5

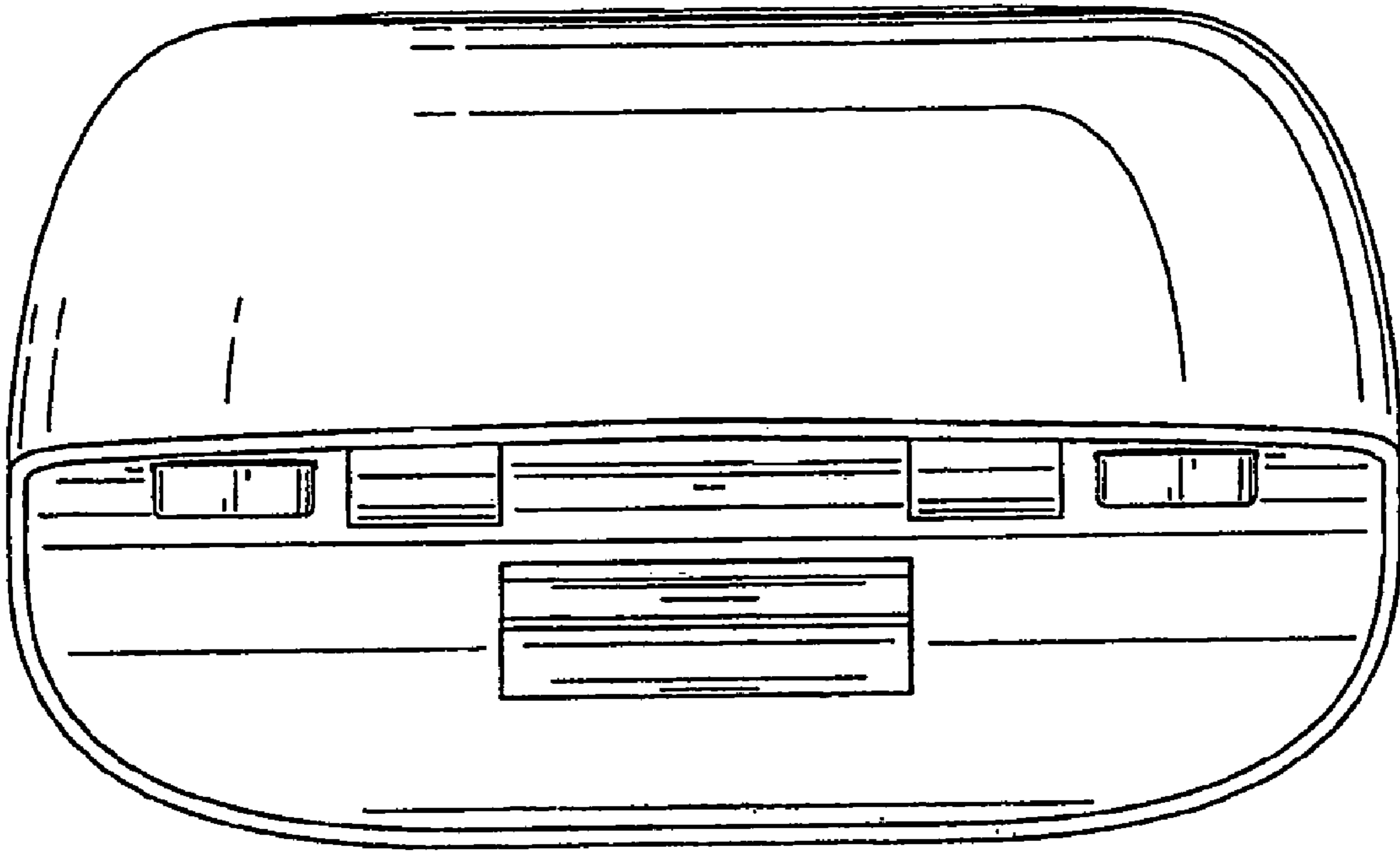


FIG. 6

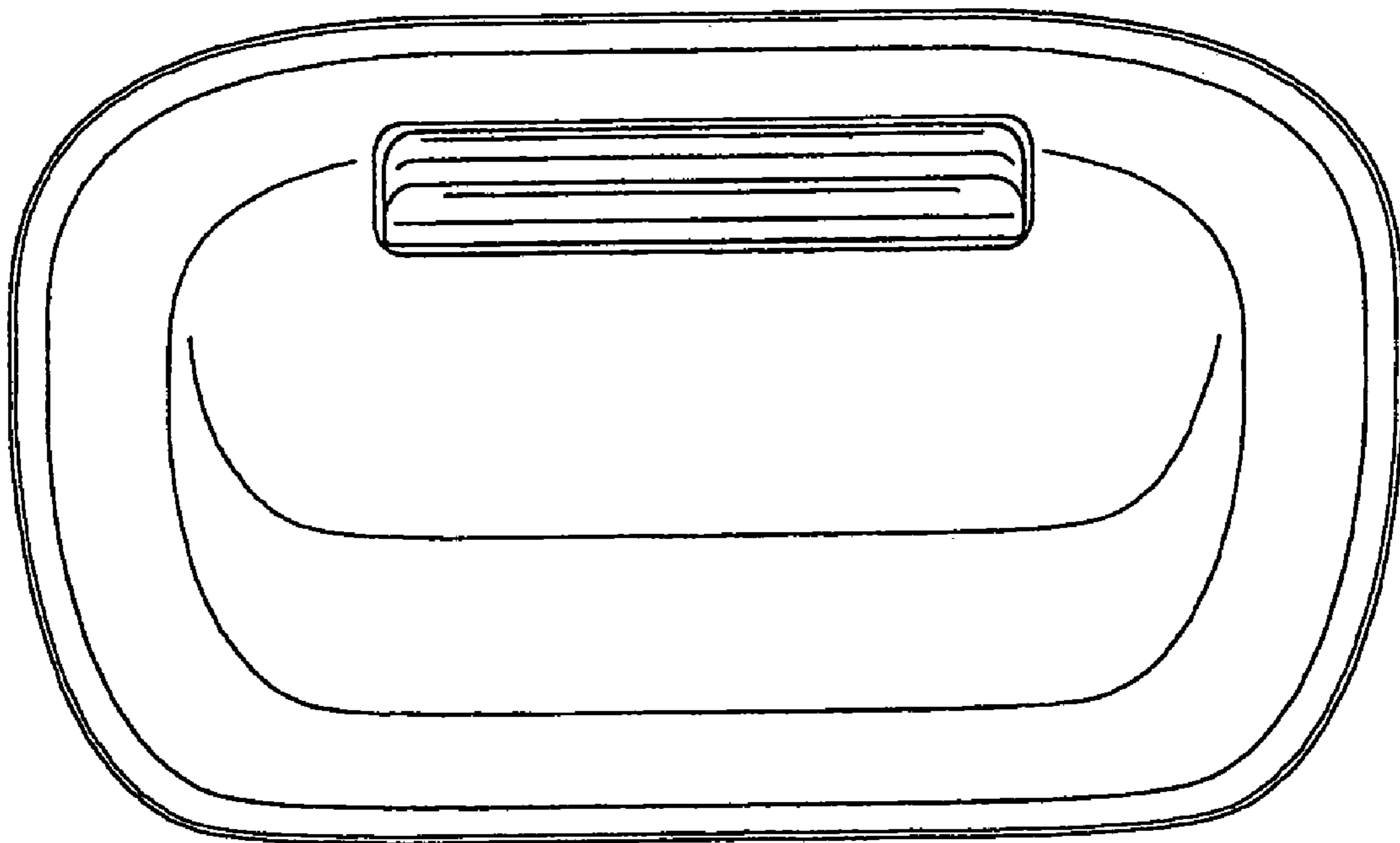


FIG. 7