



US00D589384S

(12) **United States Design Patent**
Gretton

(10) **Patent No.:** **US D589,384 S**
(45) **Date of Patent:** **** Mar. 31, 2009**

(54) **NAVIGATION SYSTEM**

D552,494 S * 10/2007 Hunt D10/65
D557,151 S * 12/2007 Clift D10/65

(75) Inventor: **Mark Gretton**, London (GB)

* cited by examiner

(73) Assignee: **Tom Tom International BV**,
Amsterdam (NL)

Primary Examiner—Antoine D Davis
(74) *Attorney, Agent, or Firm*—Robert L. Epstein; Epstein
Drangel Bazerman & James, LLP

(**) Term: **14 Years**

(21) Appl. No.: **29/284,038**

(57) **CLAIM**

(22) Filed: **Aug. 29, 2007**

The ornamental design for a navigation system, as shown and
described.

(51) **LOC (9) Cl.** **10-04**

DESCRIPTION

(52) **U.S. Cl.** **D10/65**

FIG. 1 illustrates a perspective front view thereof.
FIG. 2 illustrates a front view thereof.
FIG. 3 illustrates a back view thereof.
FIG. 4 illustrates a side view thereof.
FIG. 5 illustrates a side view thereof.
FIG. 6 illustrates a top view thereof.
FIG. 7 illustrates a top view thereof.
FIG. 8 illustrates a perspective front view with a suction
holder thereof; and,
FIG. 9 illustrates a perspective front view with a base holder
thereof.

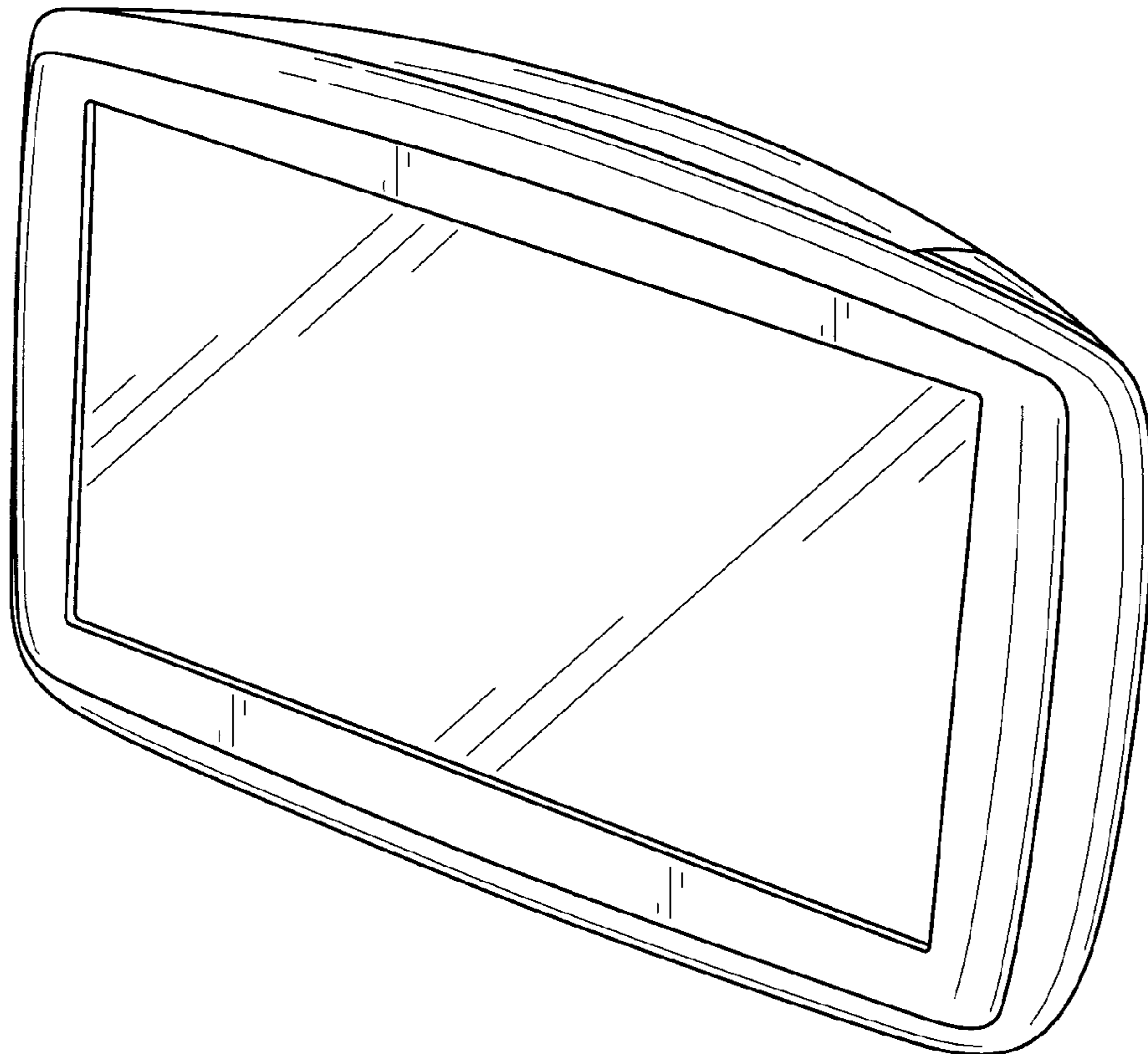
(58) **Field of Classification Search** D10/65,
D10/80; D14/347; 342/351, 419, 457, 357.06–357.13;
343/702; 345/87, 104, 133, 156, 168, 173,
345/901–905; 348/184, 315, 739; 364/444,
364/499; 701/214, 206–209, 213
See application file for complete search history.

(56) **References Cited**

U.S. PATENT DOCUMENTS

D543,876 S * 6/2007 Kalis et al. D10/65
D544,381 S * 6/2007 Lammers-Meis et al. D10/65

1 Claim, 6 Drawing Sheets



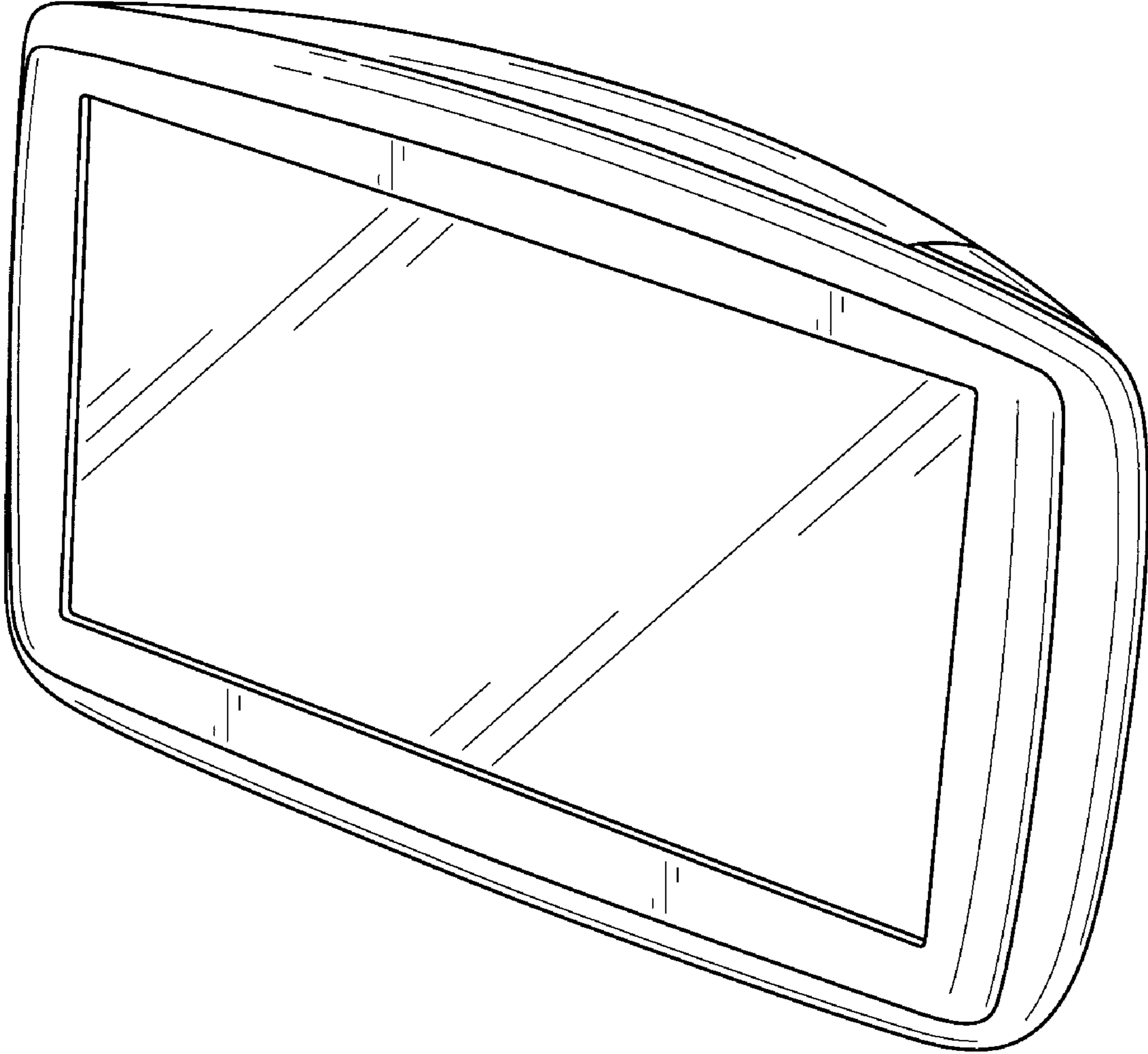


FIG. 1

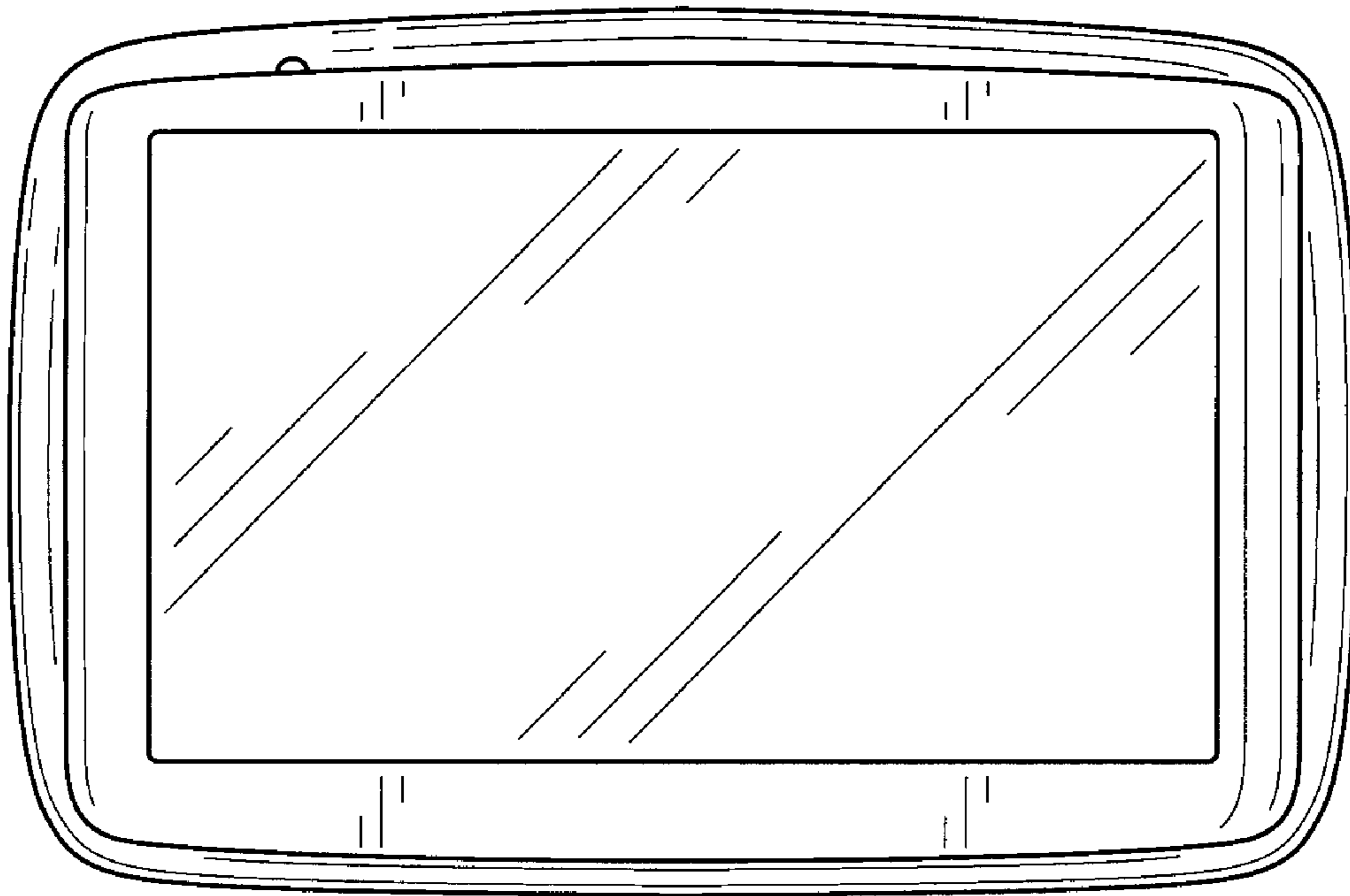


FIG. 2

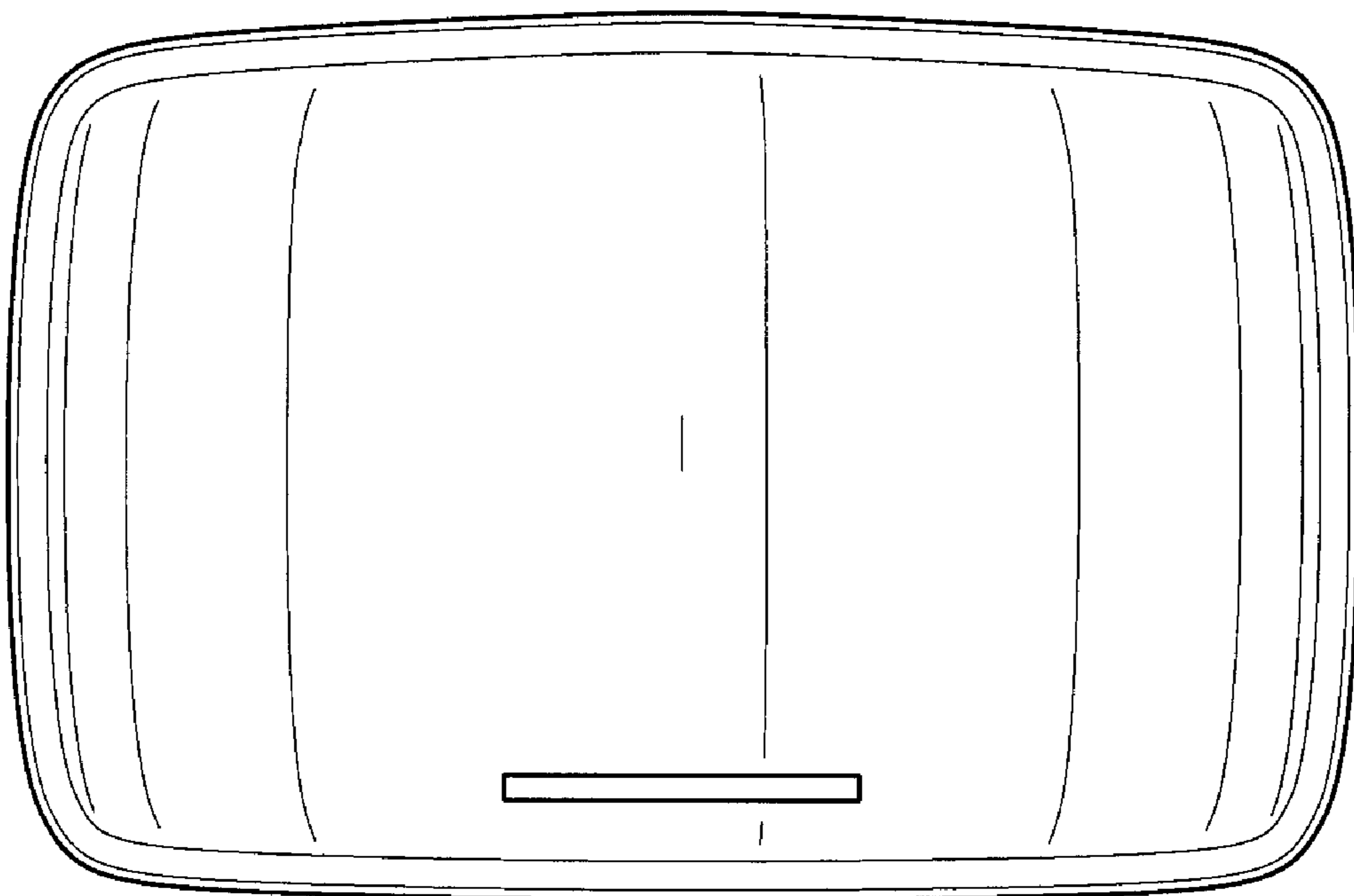


FIG. 3

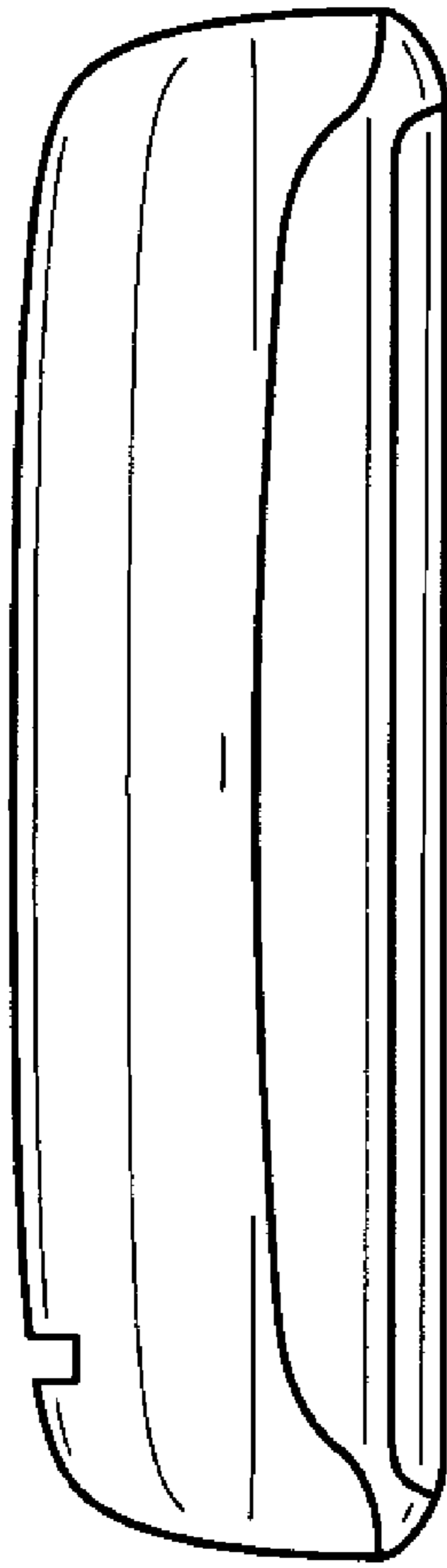


FIG. 4

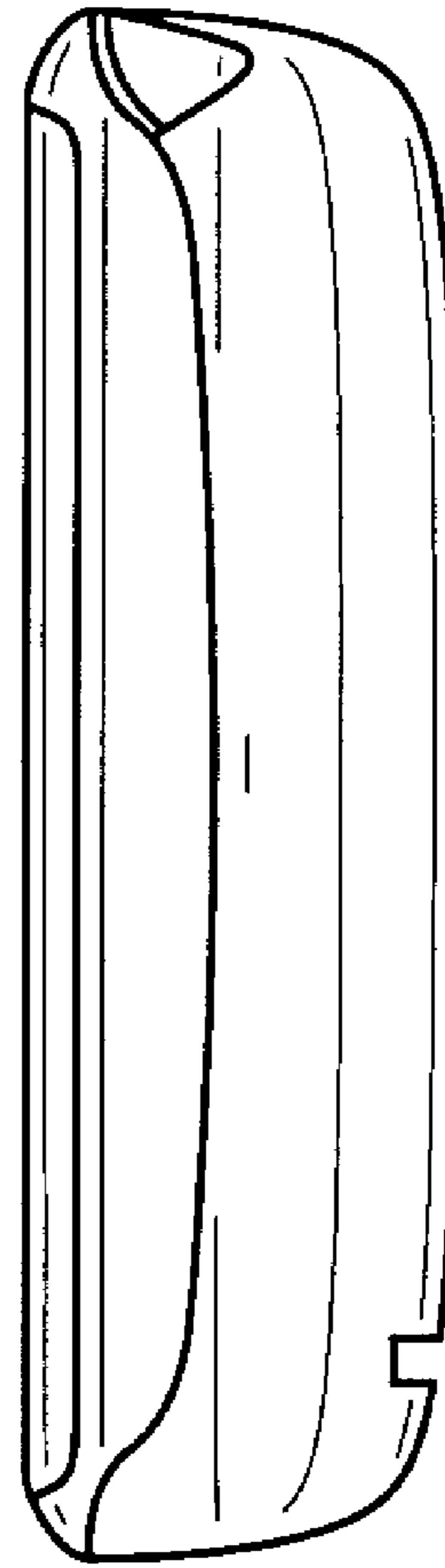


FIG. 5

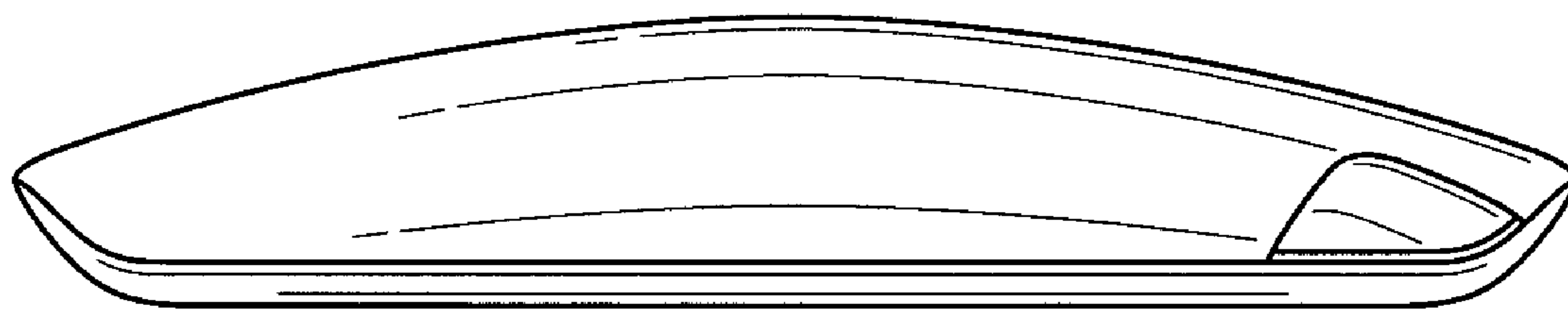


FIG. 6

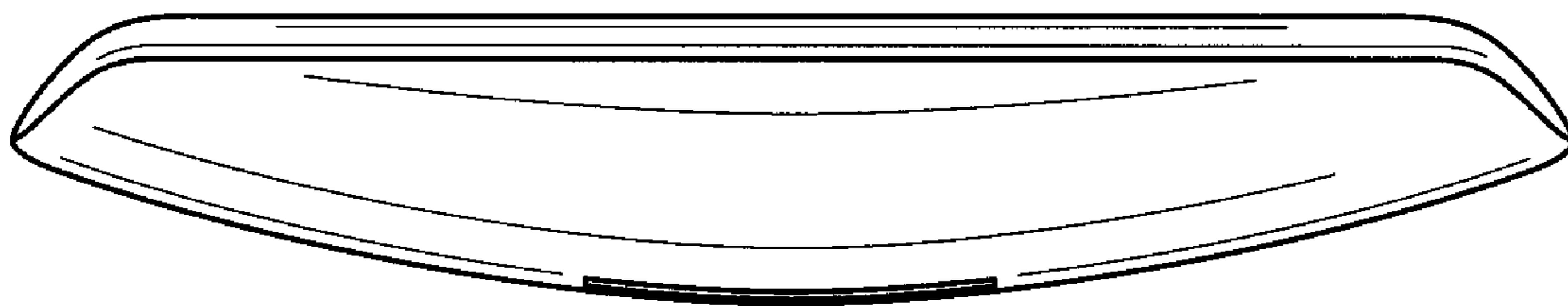


FIG. 7

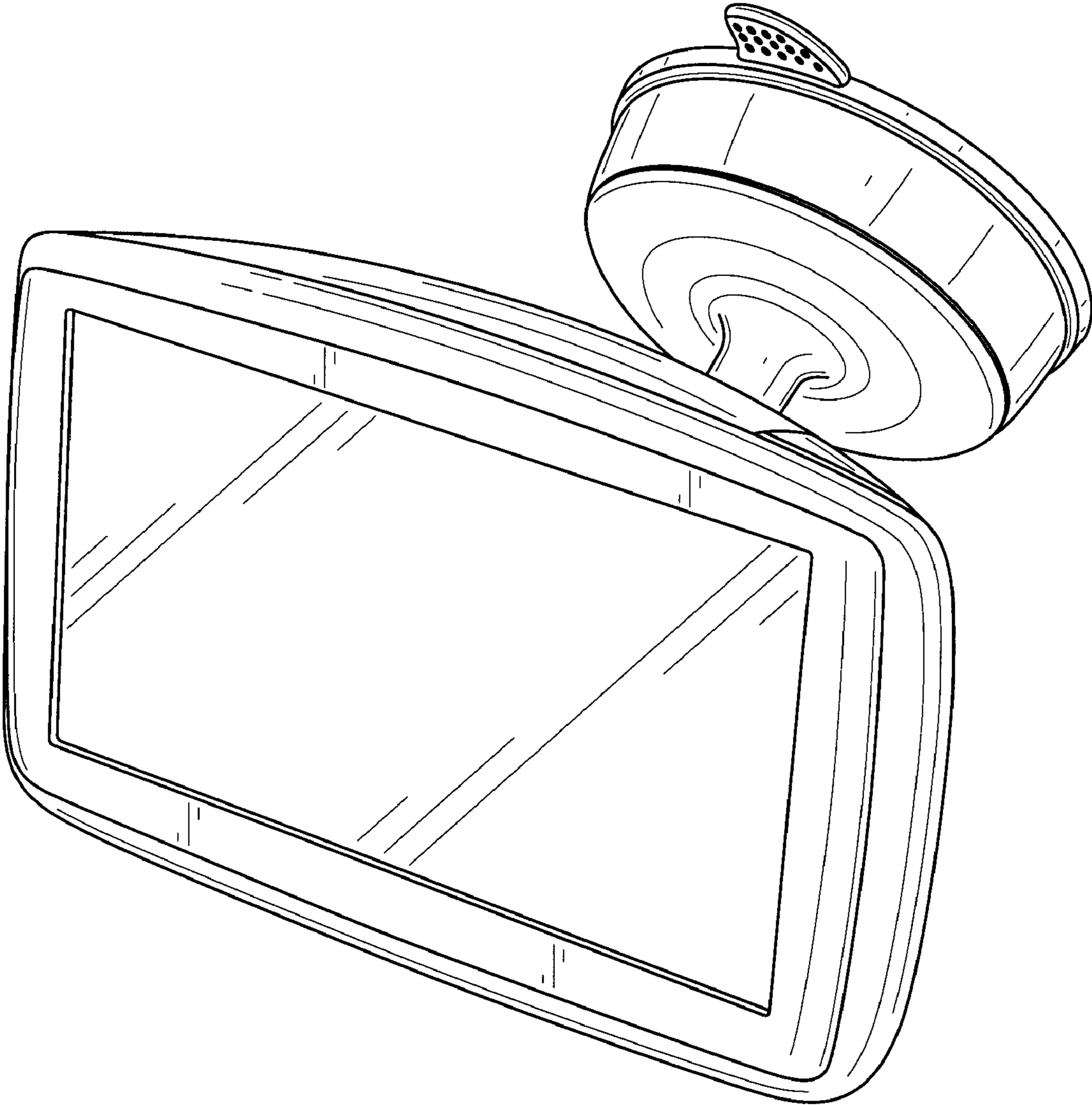


FIG. 8

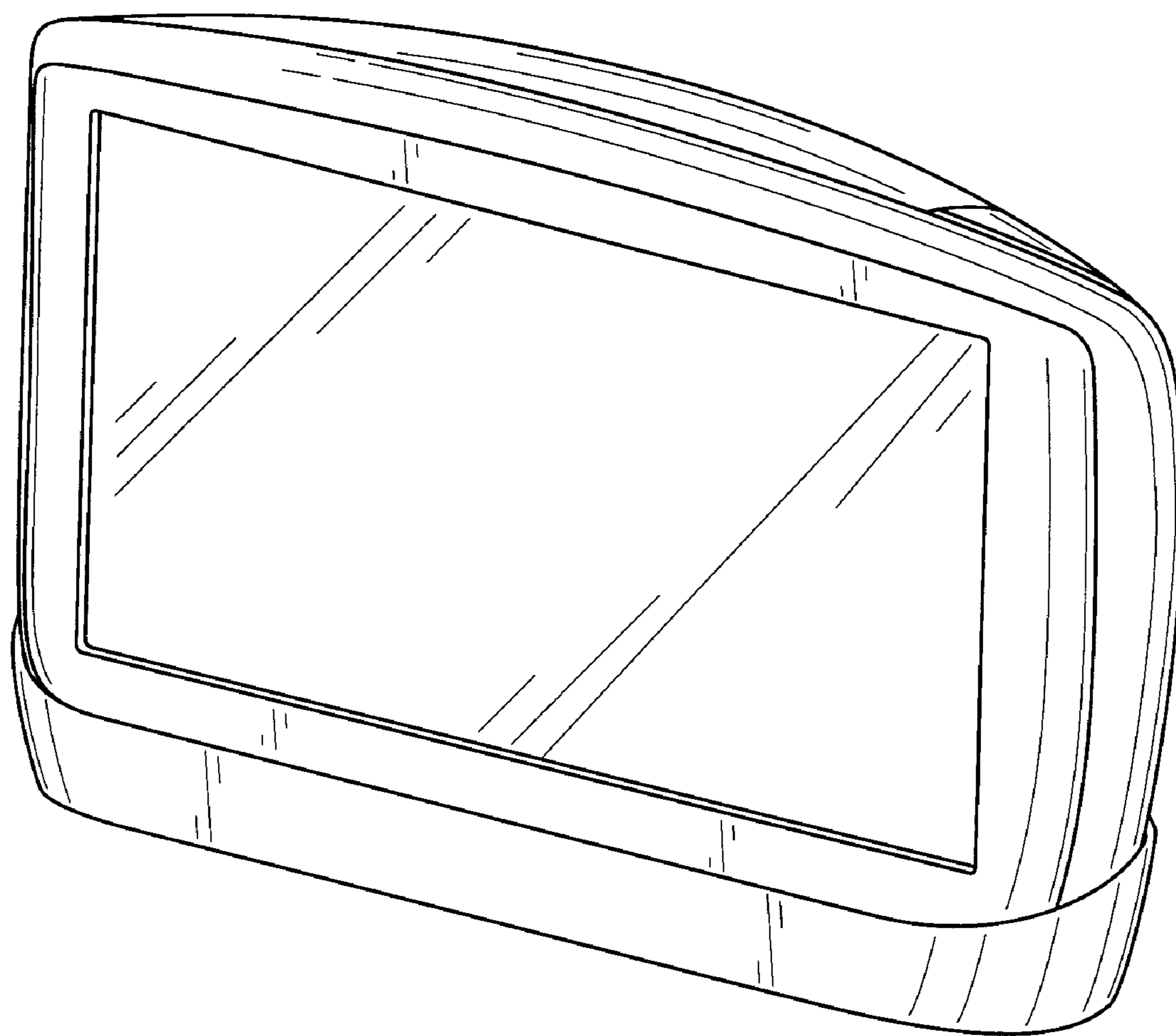


FIG. 9