



US00D589383S

(12) **United States Design Patent**
Gretton

(10) **Patent No.:** **US D589,383 S**

(45) **Date of Patent:** **** Mar. 31, 2009**

(54) **NAVIGATION SYSTEM**

(75) Inventor: **Mark Gretton**, London (GB)

(73) Assignee: **Tom Tom International BV**,
Amsterdam (NL)

(**) Term: **14 Years**

(21) Appl. No.: **29/284,037**

(22) Filed: **Aug. 29, 2007**

(51) **LOC (9) Cl.** **10-04**

(52) **U.S. Cl.** **D10/65**

(58) **Field of Classification Search** D10/65,
D10/80; D14/347; 342/351, 419, 457, 357.06–357.13;
343/702; 345/87, 104, 133, 156, 168, 173,
345/901–905; 348/184, 315, 739; 364/444,
364/499; 701/214, 206–209, 213

See application file for complete search history.

(56) **References Cited**

U.S. PATENT DOCUMENTS

D543,876 S *	6/2007	Kalis et al.	D10/65
D544,381 S *	6/2007	Lammers-Meis et al.	D10/65
D552,494 S *	10/2007	Hunt	D10/65
D557,151 S *	12/2007	Clift	D10/65

* cited by examiner

Primary Examiner—Antoine D Davis

(74) *Attorney, Agent, or Firm*—Robert L. Epstein; Epstein
Drangel Bazerman & James, LLP

(57) **CLAIM**

The ornamental design for a navigation system, as shown and
described.

DESCRIPTION

FIG. 1 illustrates a perspective front view thereof.

FIG. 2 illustrates a front view thereof.

FIG. 3 illustrates a back view thereof.

FIG. 4 illustrates a side view thereof.

FIG. 5 illustrates a side view thereof.

FIG. 6 illustrates a top view thereof.

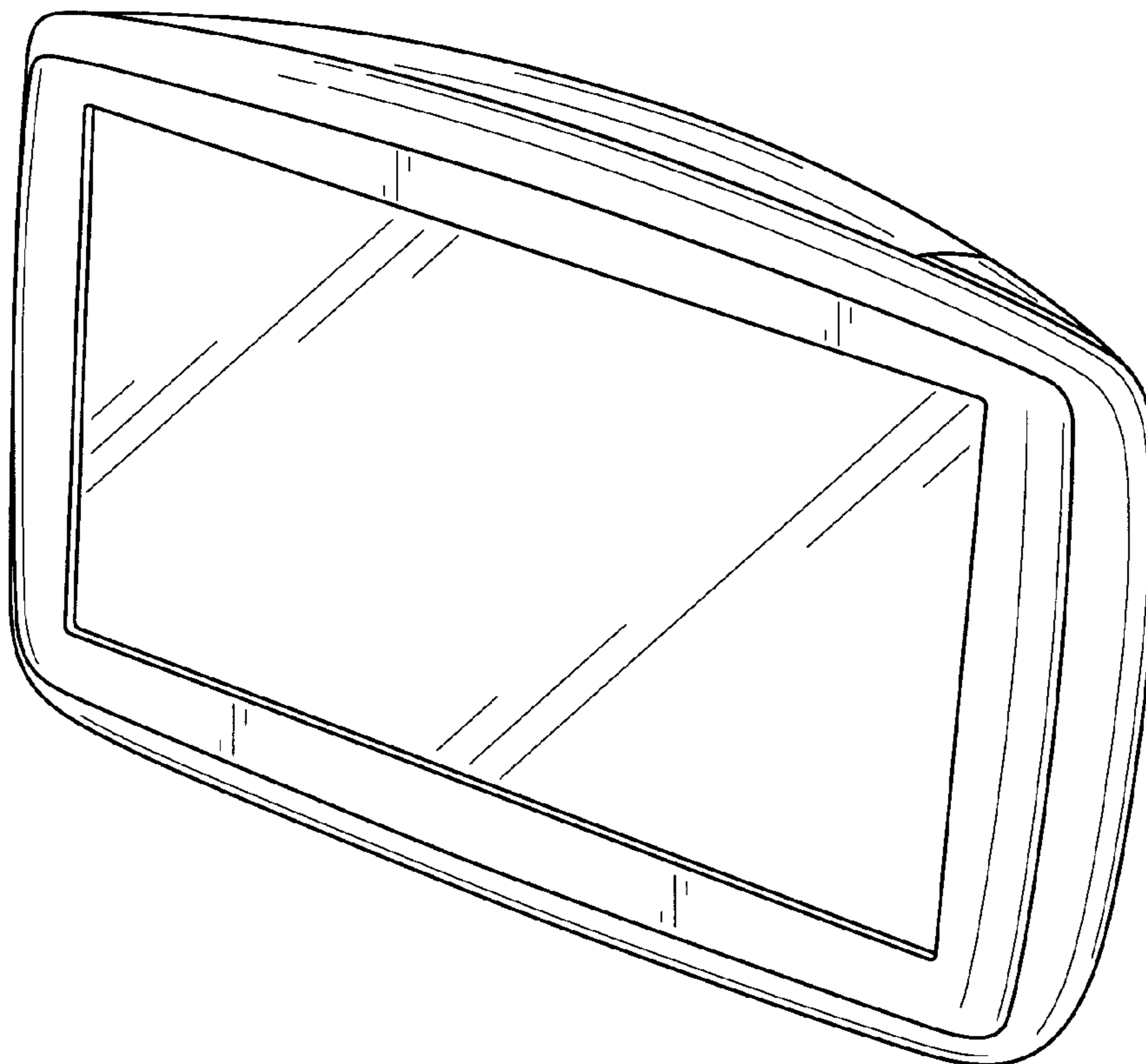
FIG. 7 illustrates a top view thereof.

FIG. 8 illustrates a perspective front view with a suction cup
thereof; and,

FIG. 9 illustrates a perspective front view with a cradle
thereof.

The broken line showing structures is included for the pur-
pose of illustrating non-claimed subject matter and forms no
part of the claimed design.

1 Claim, 6 Drawing Sheets



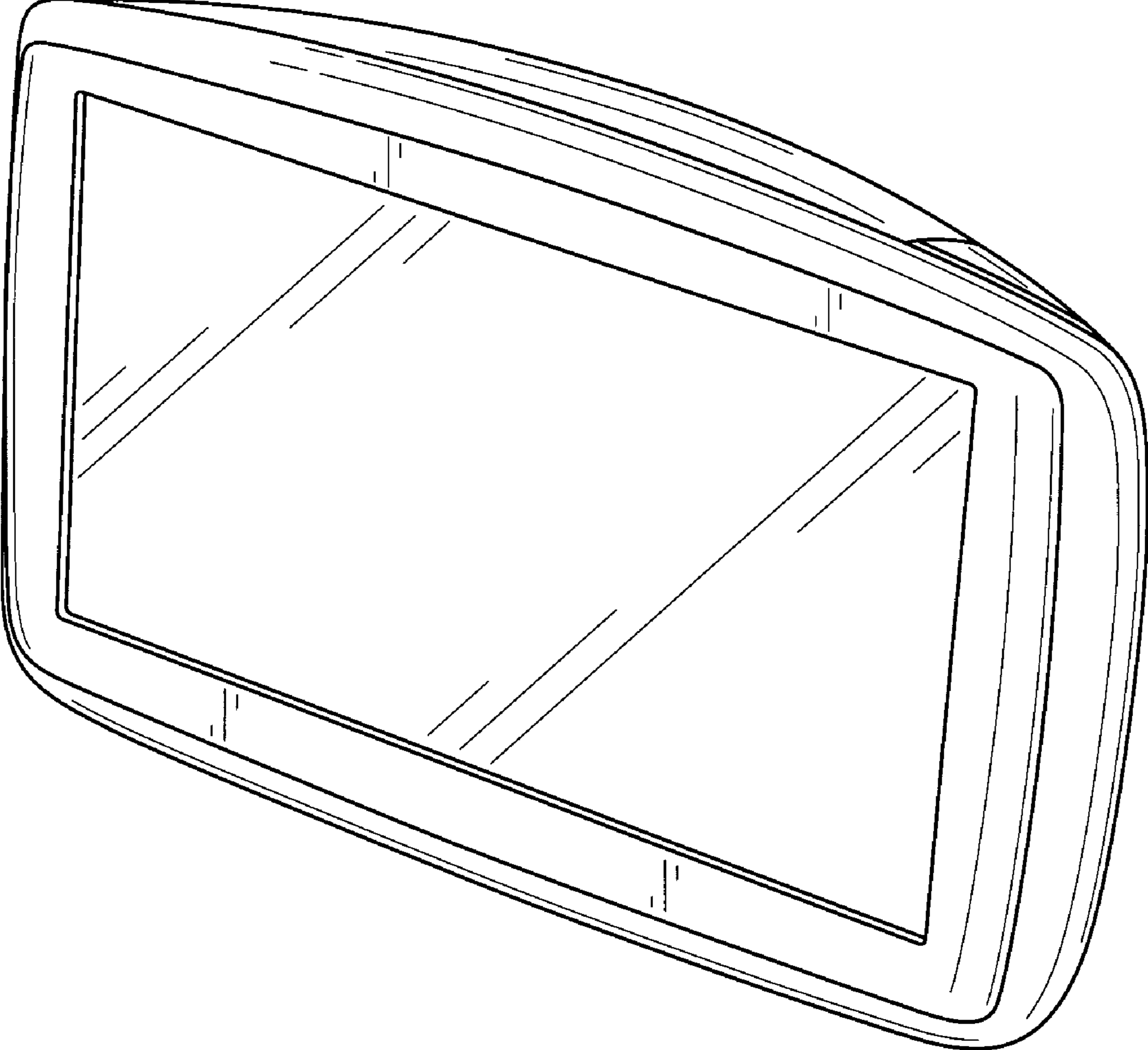


FIG. 1

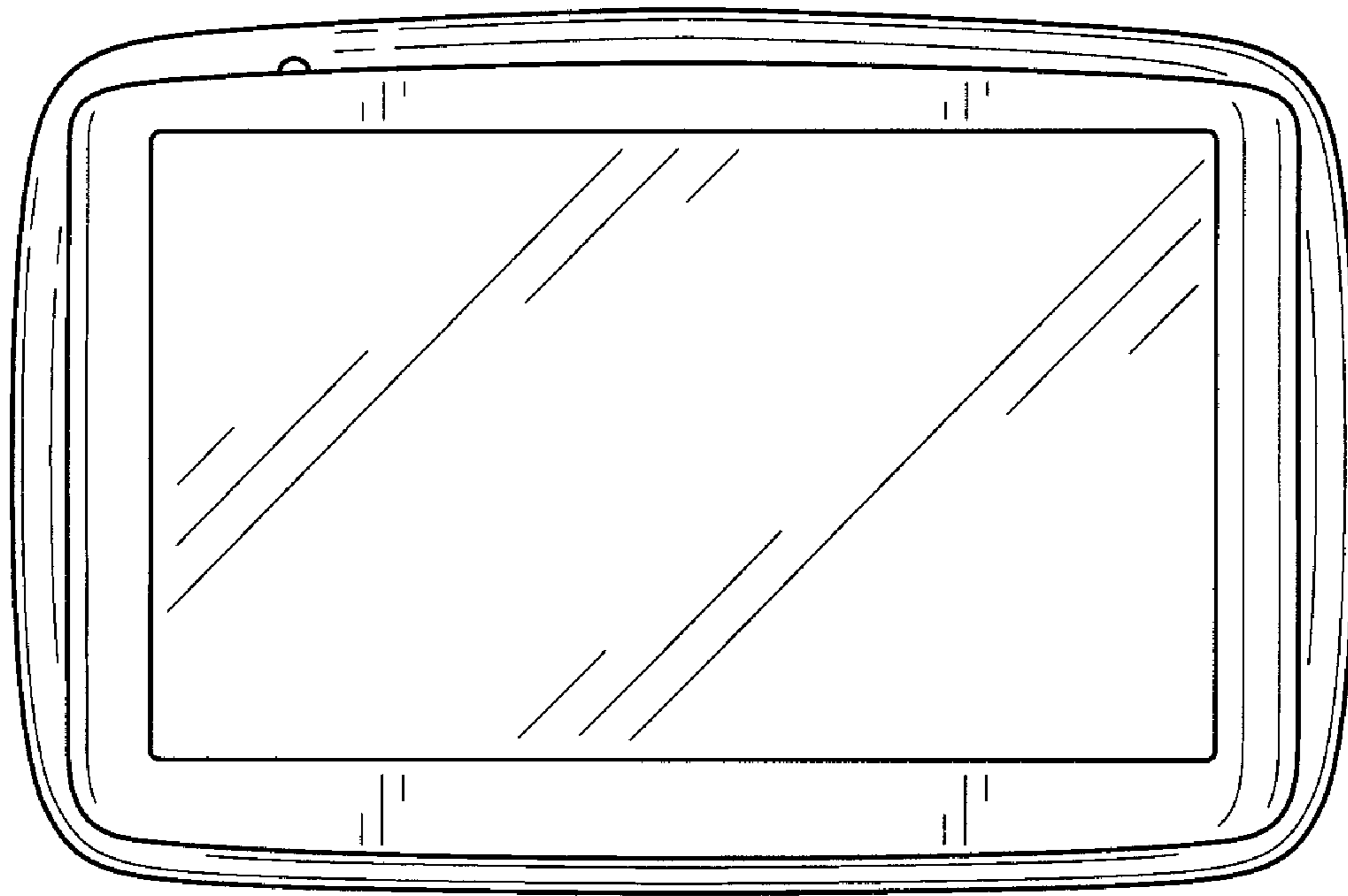


FIG. 2

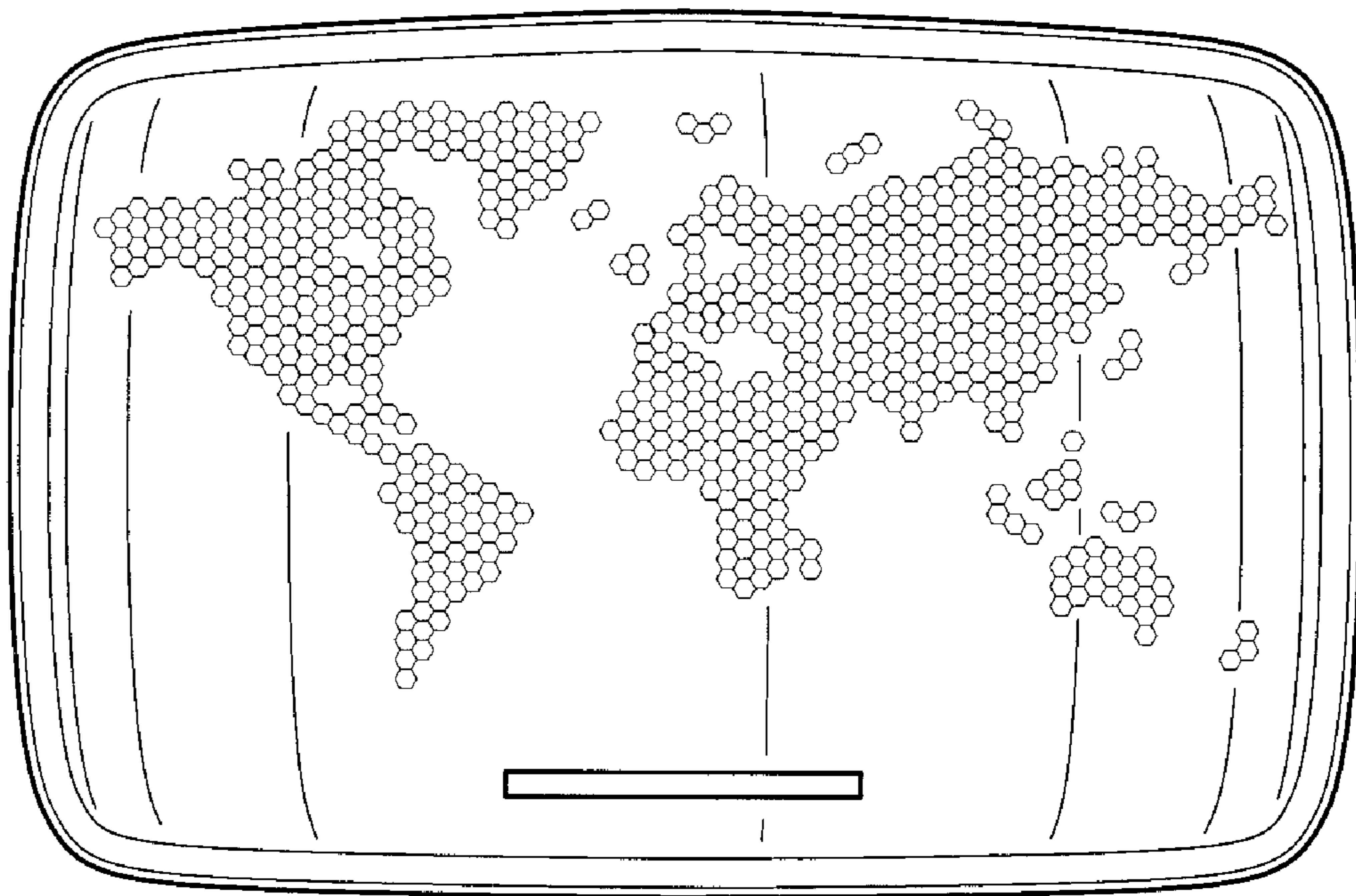


FIG. 3

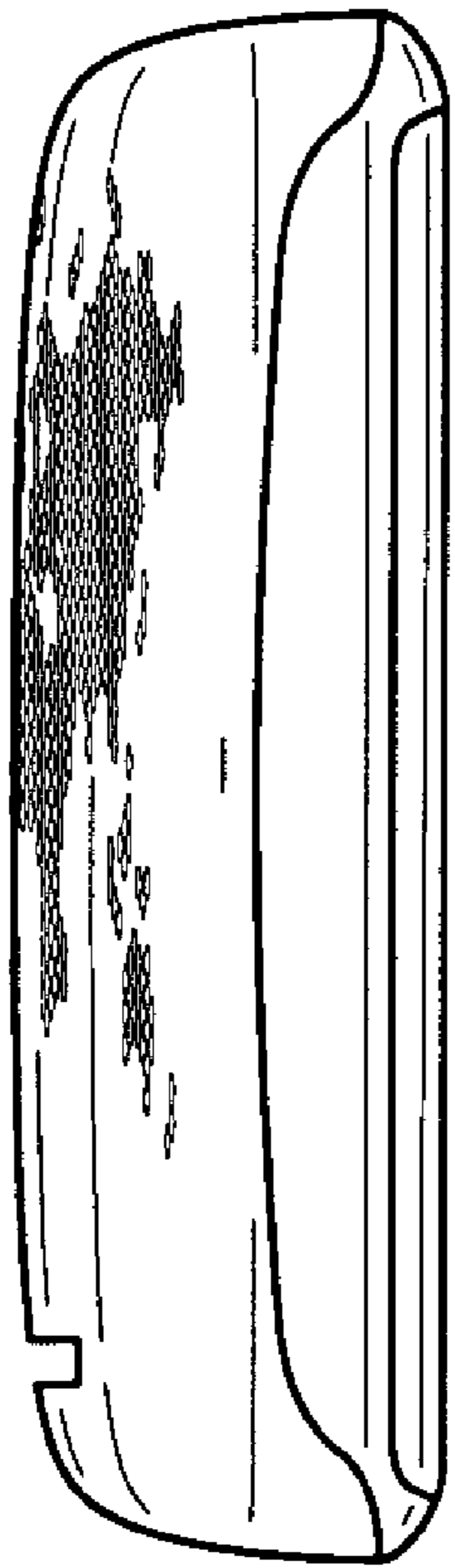


FIG. 4



FIG. 5



FIG. 6

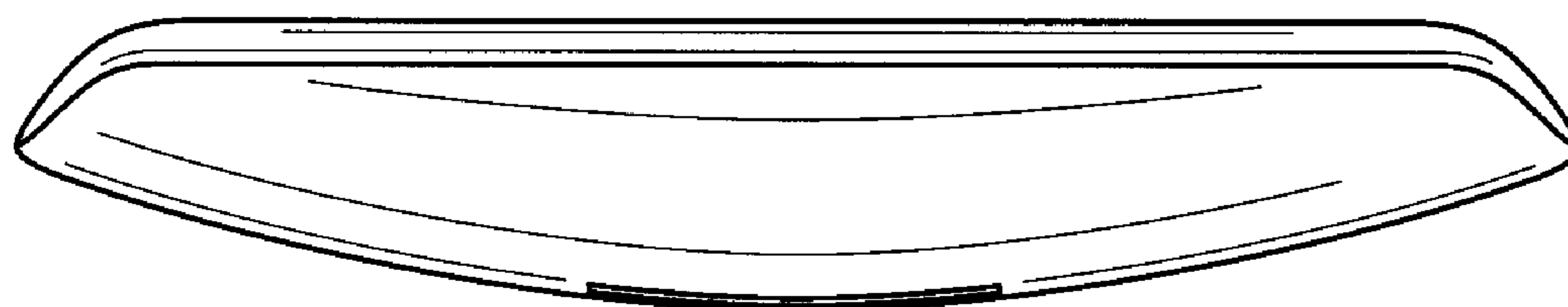


FIG. 7

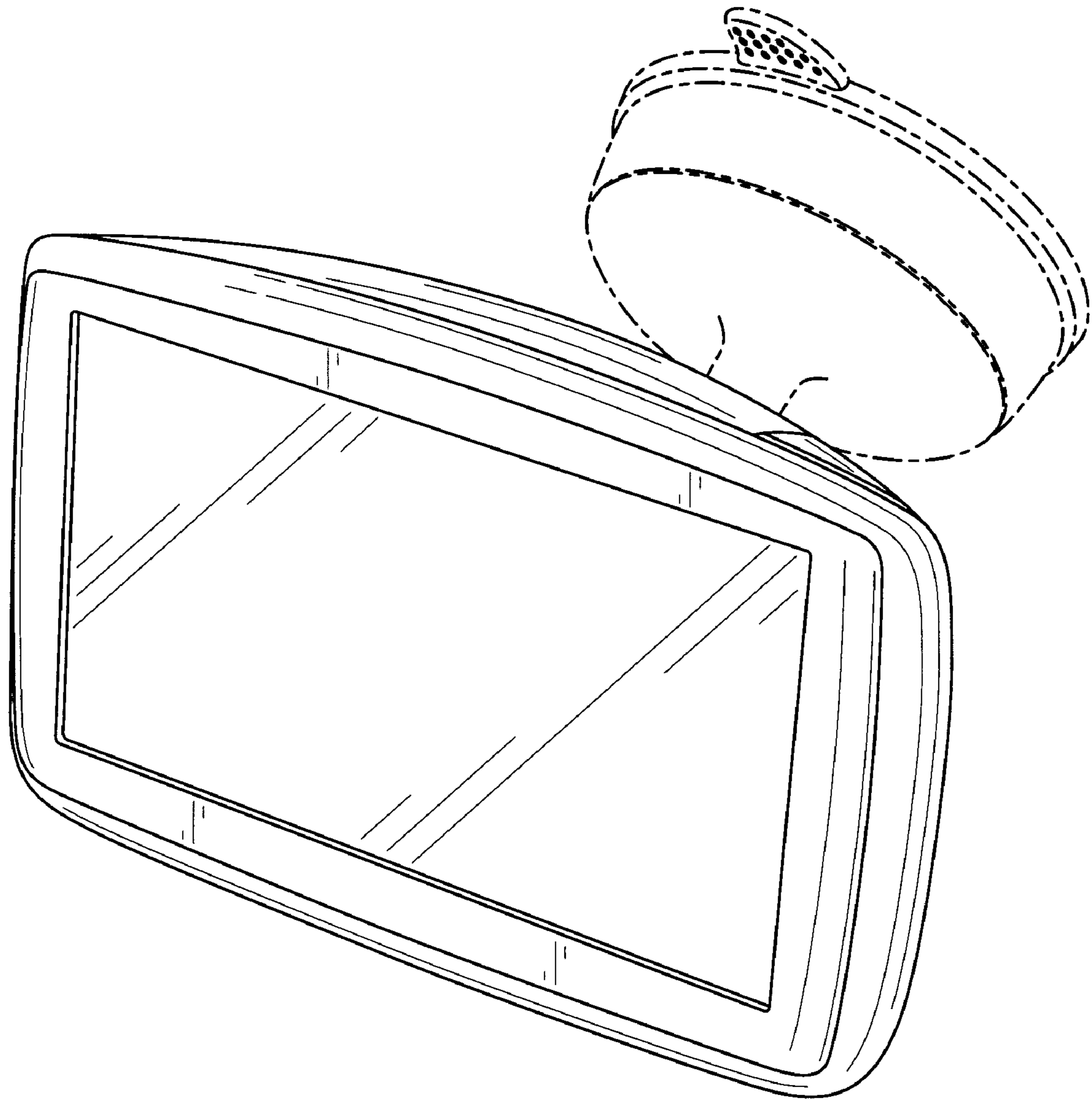


FIG. 8

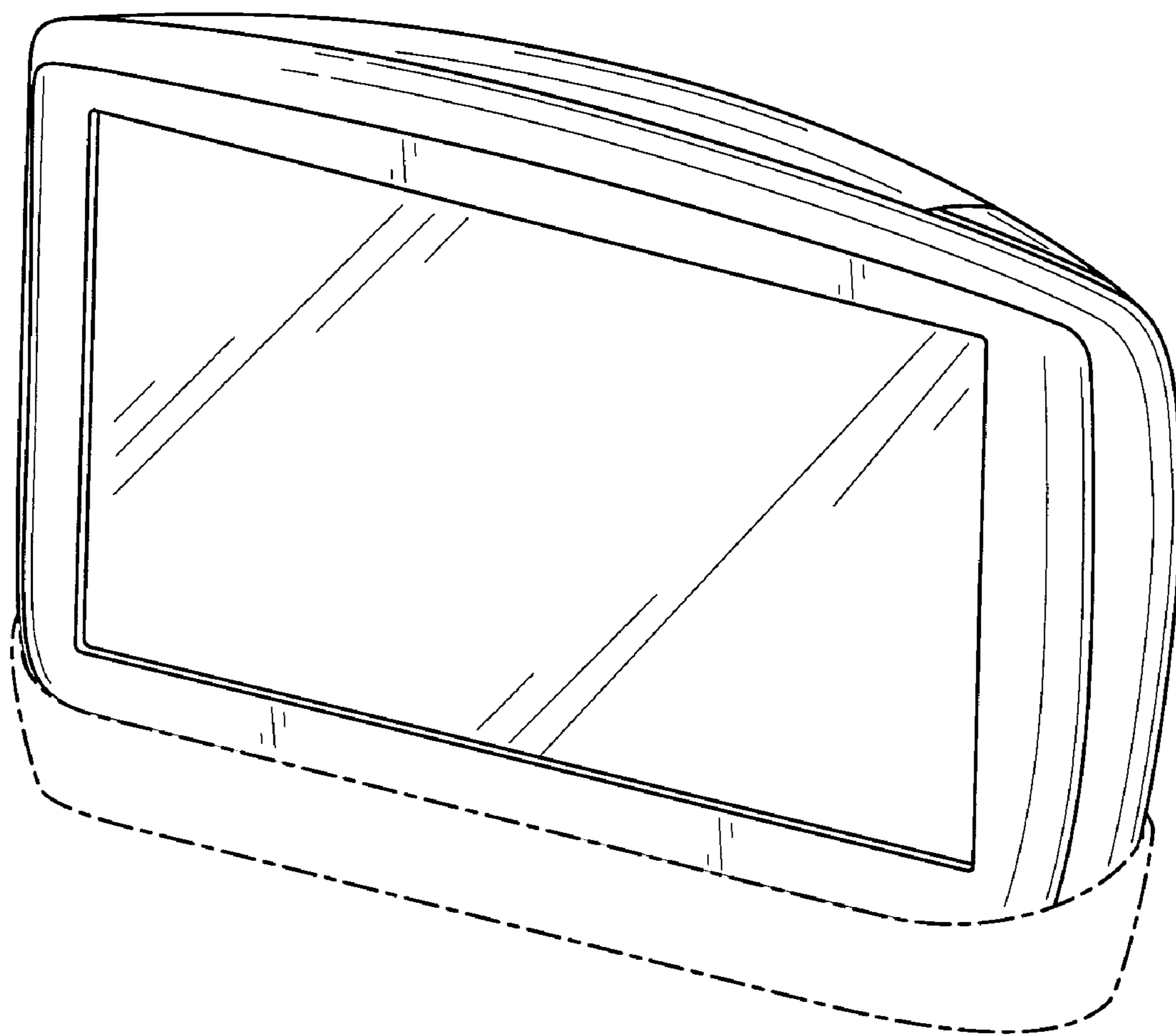


FIG. 9