



US00D589375S

(12) **United States Design Patent**
Tang

(10) **Patent No.:** **US D589,375 S**
(45) **Date of Patent:** **** Mar. 31, 2009**

(54) **WATCH**

(75) Inventor: **Lai Chun Tang**, Kowloon (HK)

(73) Assignee: **O.D.M. Design & Marketing Limited**,
Kowloon (HK)

(**) Term: **14 Years**

(21) Appl. No.: **29/325,588**

(22) Filed: **Oct. 3, 2008**

(30) **Foreign Application Priority Data**

Sep. 2, 2008 (HK) 0802 148

(51) **LOC (9) Cl.** **10-02**

(52) **U.S. Cl.** **D10/32**

(58) **Field of Classification Search** D10/30-39,
D10/122-132; 368/276, 281, 282, 285, 29,
368/30, 82-84, 223; D11/3; 224/164
See application file for complete search history.

(56) **References Cited**

U.S. PATENT DOCUMENTS

D284,950 S	*	8/1986	Lai	D11/3
D297,416 S	*	8/1988	Saito	D10/32
D390,479 S	*	2/1998	Brandys et al.	D10/39
D407,334 S	*	3/1999	Stoll	D10/32
D432,436 S	*	10/2000	Baumann	D10/32
D432,437 S	*	10/2000	Lassigne	D10/32

D446,130 S	*	8/2001	Nakanishi	D10/38
D464,576 S	*	10/2002	Nussbaum	D10/32
D473,801 S	*	4/2003	Monachon	D10/32
D475,935 S	*	6/2003	Modolo	D10/39
D491,474 S	*	6/2004	Wong	D10/32
D534,438 S	*	1/2007	Bedat	D10/32
D537,738 S	*	3/2007	Ohki et al.	D10/32
D539,670 S	*	4/2007	Behling	D10/32
D542,157 S	*	5/2007	Lafever et al.	D10/32
D545,220 S	*	6/2007	Leung	D10/31
D553,512 S	*	10/2007	Tang	D10/32
D576,501 S	*	9/2008	Tang	D10/32

* cited by examiner

Primary Examiner—Lucy Lieberman

(57) **CLAIM**

The ornamental design for a watch, as shown.

DESCRIPTION

FIG. 1 is a front elevational view of a watch showing my new design;

FIG. 2 is a rear elevational view thereof;

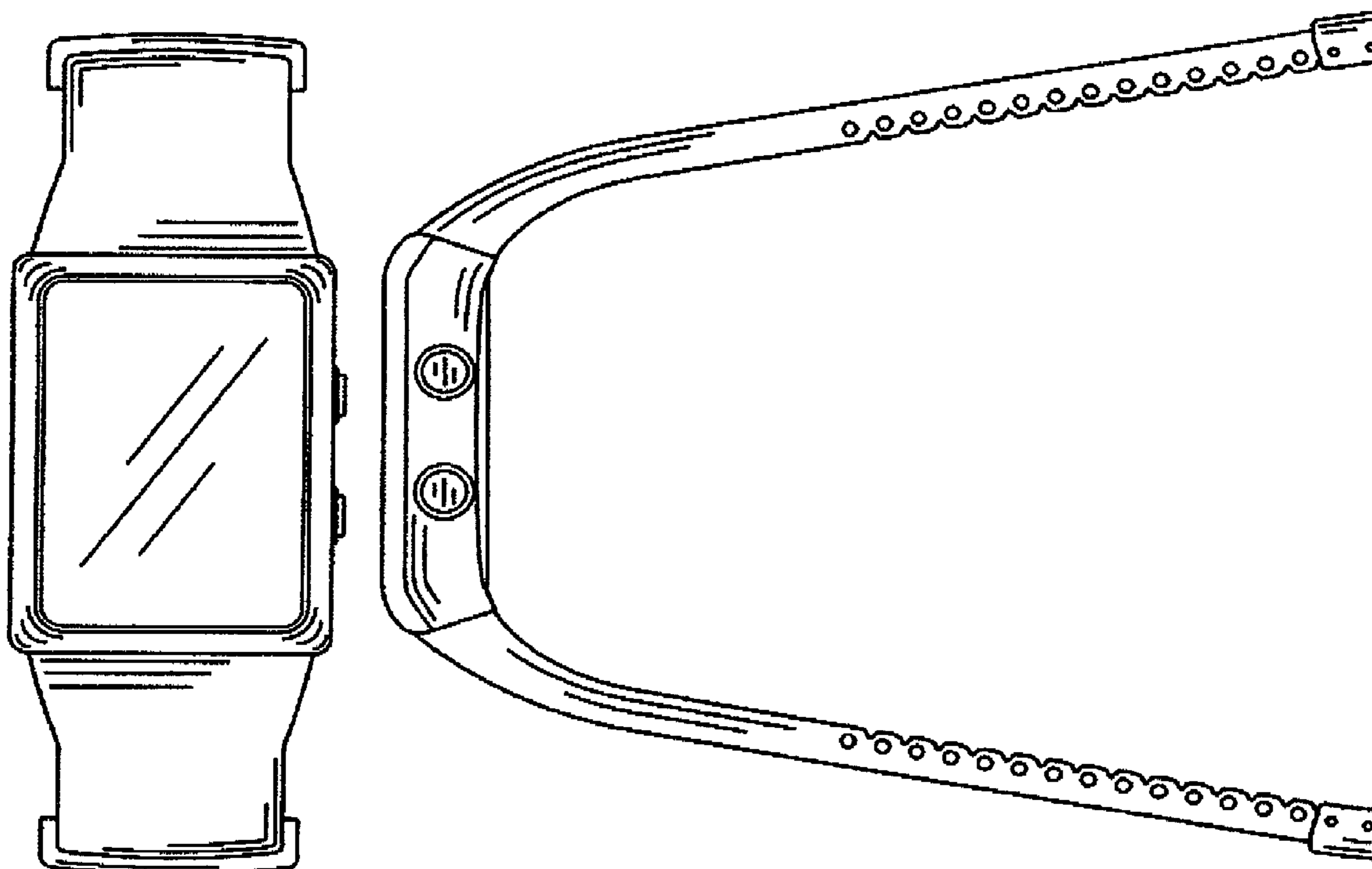
FIG. 3 is a left side view thereof;

FIG. 4 is a right side view thereof;

FIG. 5 is a top plan view thereof; and,

FIG. 6 is a bottom plan view thereof.

1 Claim, 4 Drawing Sheets



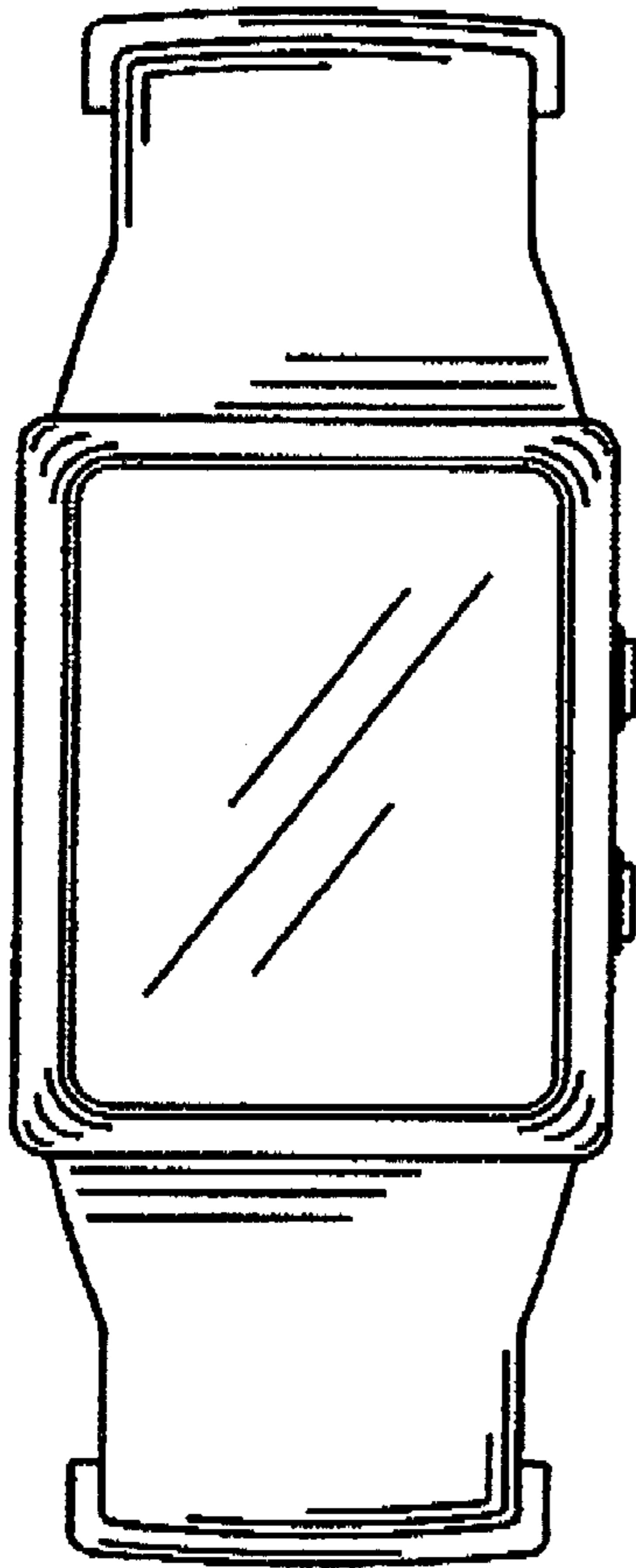


FIG. 1

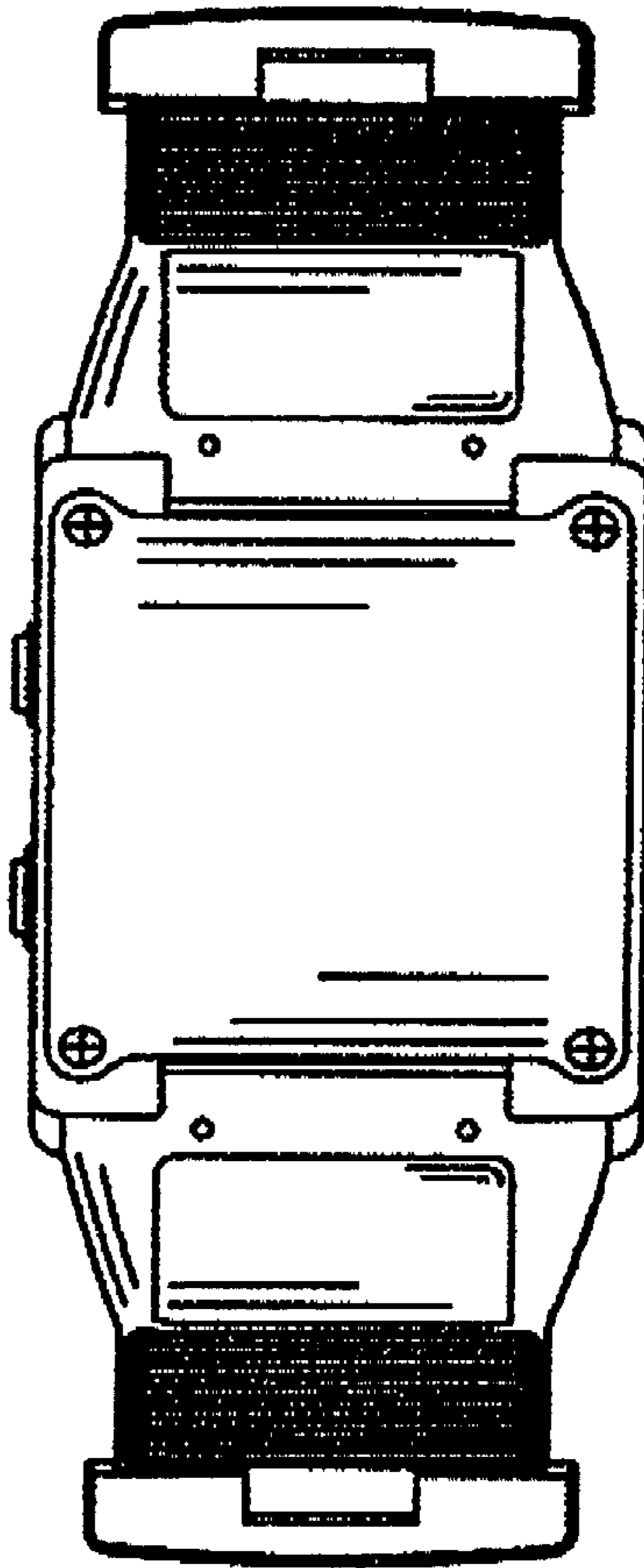


FIG. 2

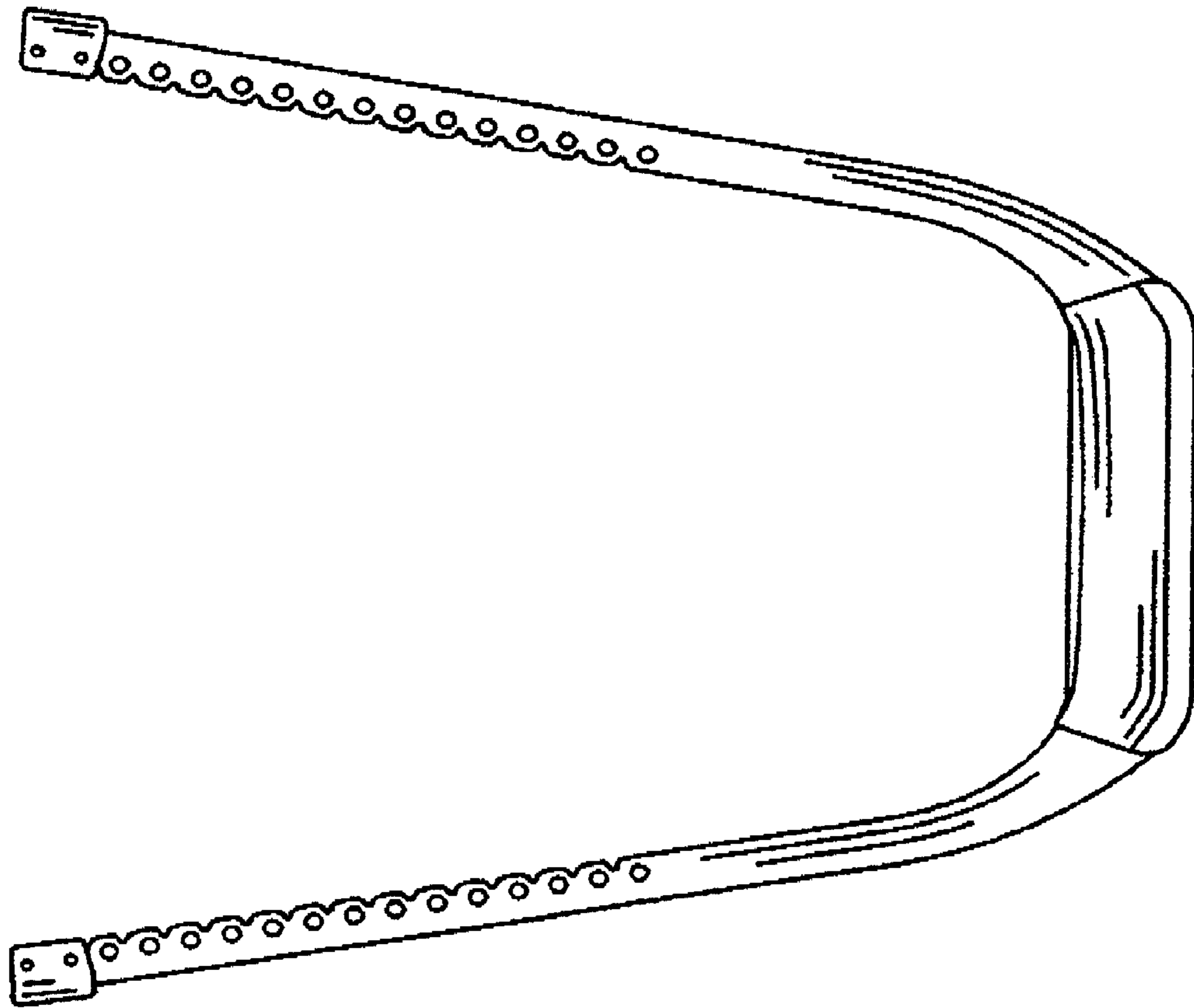


FIG. 3

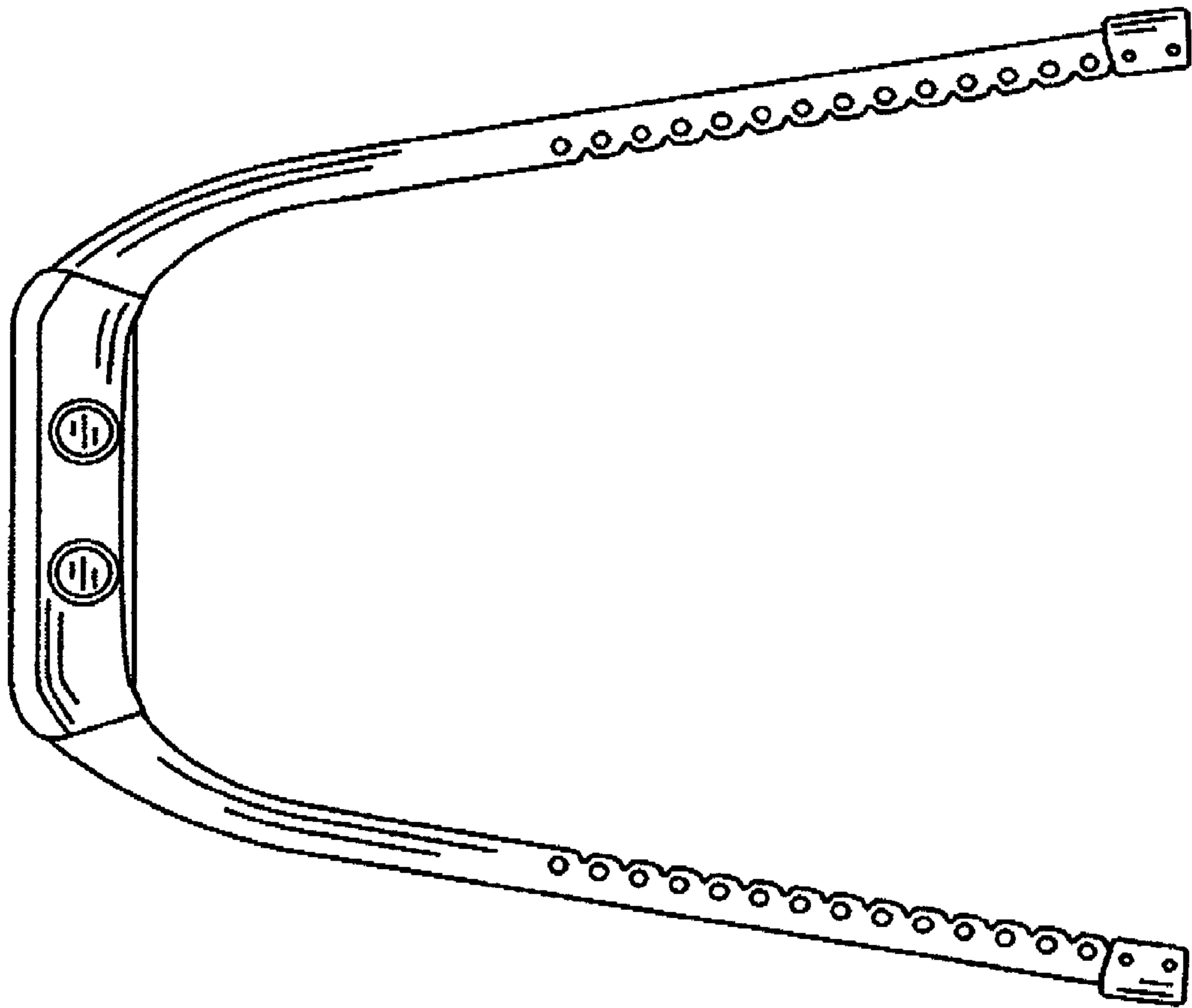


FIG. 4

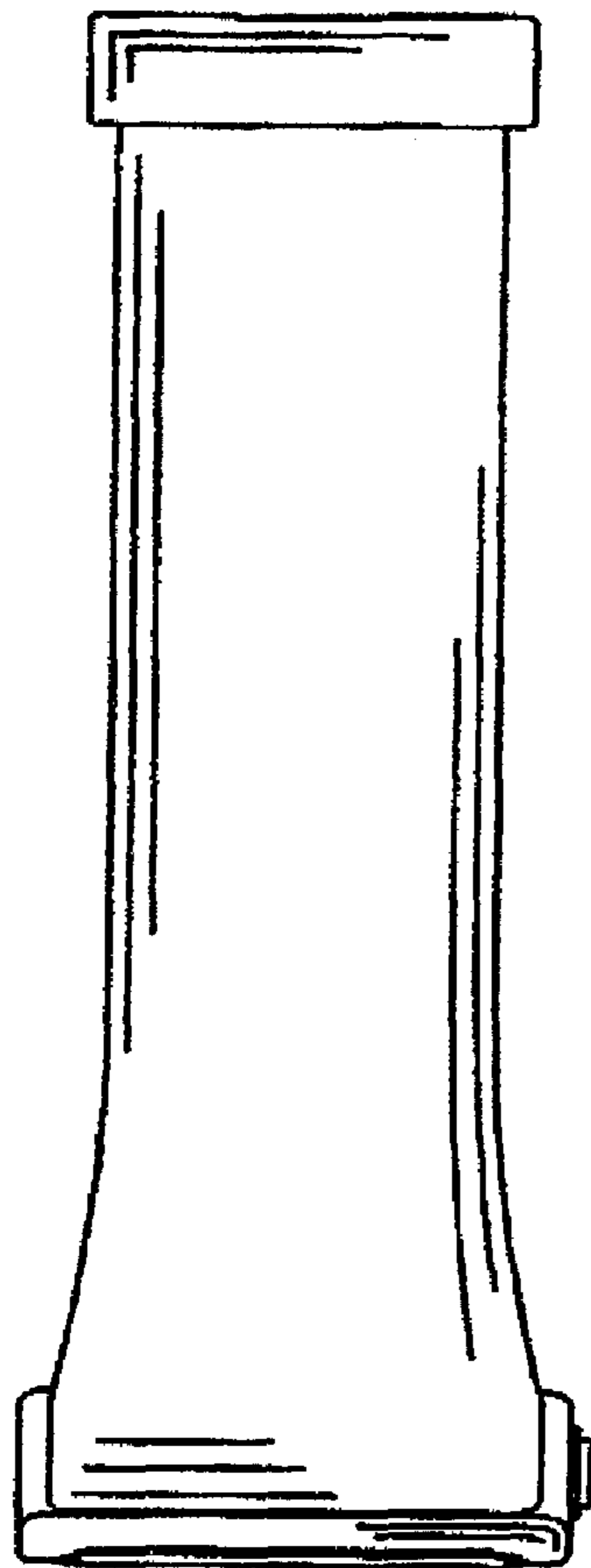


FIG. 5

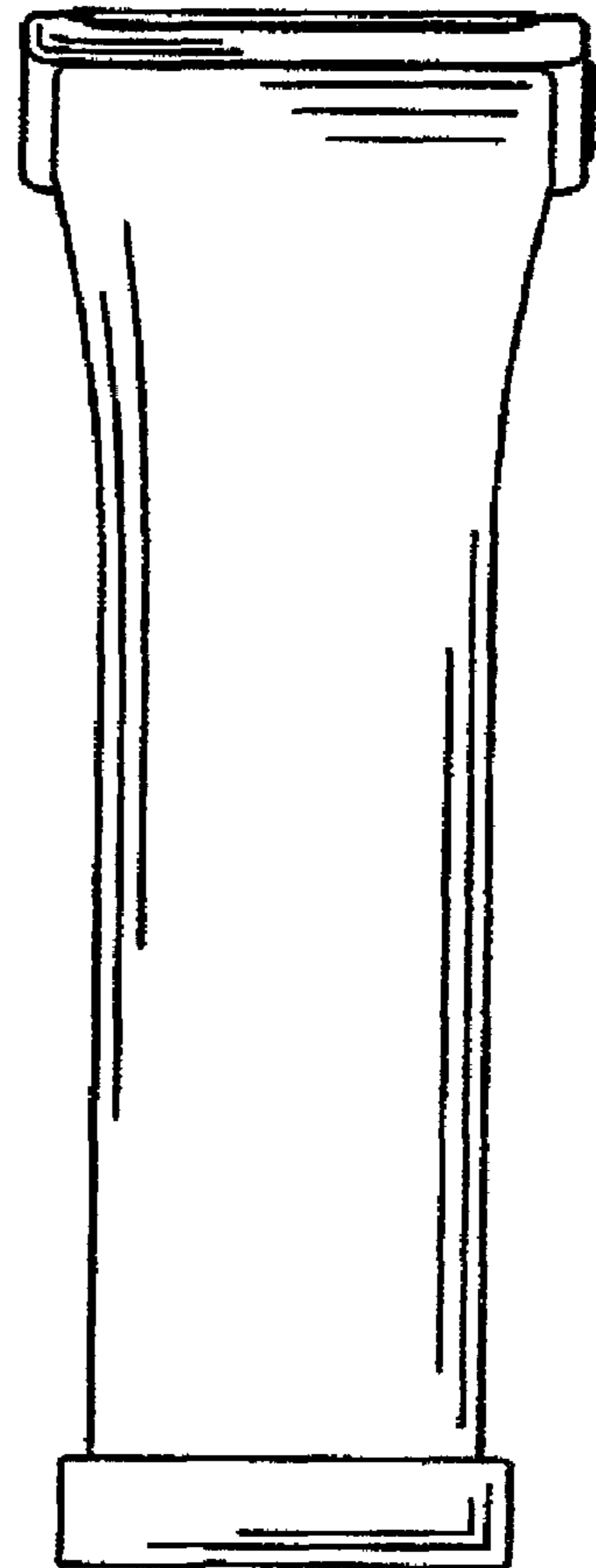


FIG. 6