

US00D589368S

(12) **United States Design Patent**  
**Abolfazlian**

(10) **Patent No.:** **US D589,368 S**

(45) **Date of Patent:** **\*\* Mar. 31, 2009**

(54) **CAN**  
(75) Inventor: **Mazyar Abolfazlian**, Aarhus C. (DK)  
(73) Assignee: **Glud & Marstrand A/S**, Losning (DK)  
(\*\*) Term: **14 Years**

D512,636 S \* 12/2005 Pace ..... D9/504  
D513,386 S \* 1/2006 Pace et al. .... D9/504  
D514,936 S \* 2/2006 Pace et al. .... D9/504  
D515,426 S \* 2/2006 Pace et al. .... D9/504  
D515,928 S \* 2/2006 Pace ..... D9/504  
D523,752 S \* 6/2006 Bried et al. .... D9/504  
D531,036 S \* 10/2006 Bried et al. .... D9/504

(21) Appl. No.: **29/268,524**  
(22) Filed: **Nov. 8, 2006**

\* cited by examiner

*Primary Examiner*—Stella M Reid  
*Assistant Examiner*—Shanda C Hill  
(74) *Attorney, Agent, or Firm*—Day Pitney LLP

(30) **Foreign Application Priority Data**  
May 11, 2006 (EM) ..... 000532163

(57) **CLAIM**

The ornamental design for a can, as shown and described.

(51) **LOC (9) Cl.** ..... **09-03**  
(52) **U.S. Cl.** ..... **D9/772**  
(58) **Field of Classification Search** ..... D9/428,  
D9/500–504, 763, 772, 776–781; D7/601;  
D28/4, 9, 76, 82, 91; 215/235, 542, 321,  
215/581, 823; 220/4.27, 297, 521, 784, 789  
See application file for complete search history.

**DESCRIPTION**

FIG. 1 is a top perspective view of a can in accordance with the present design;  
FIG. 2 is a side perspective view thereof;  
FIG. 3 is an exploded side perspective view thereof;  
FIG. 4 is a top plan view thereof;  
FIG. 5 is a side elevational view thereof; and,  
FIG. 6 is an opposite side elevational view thereof.

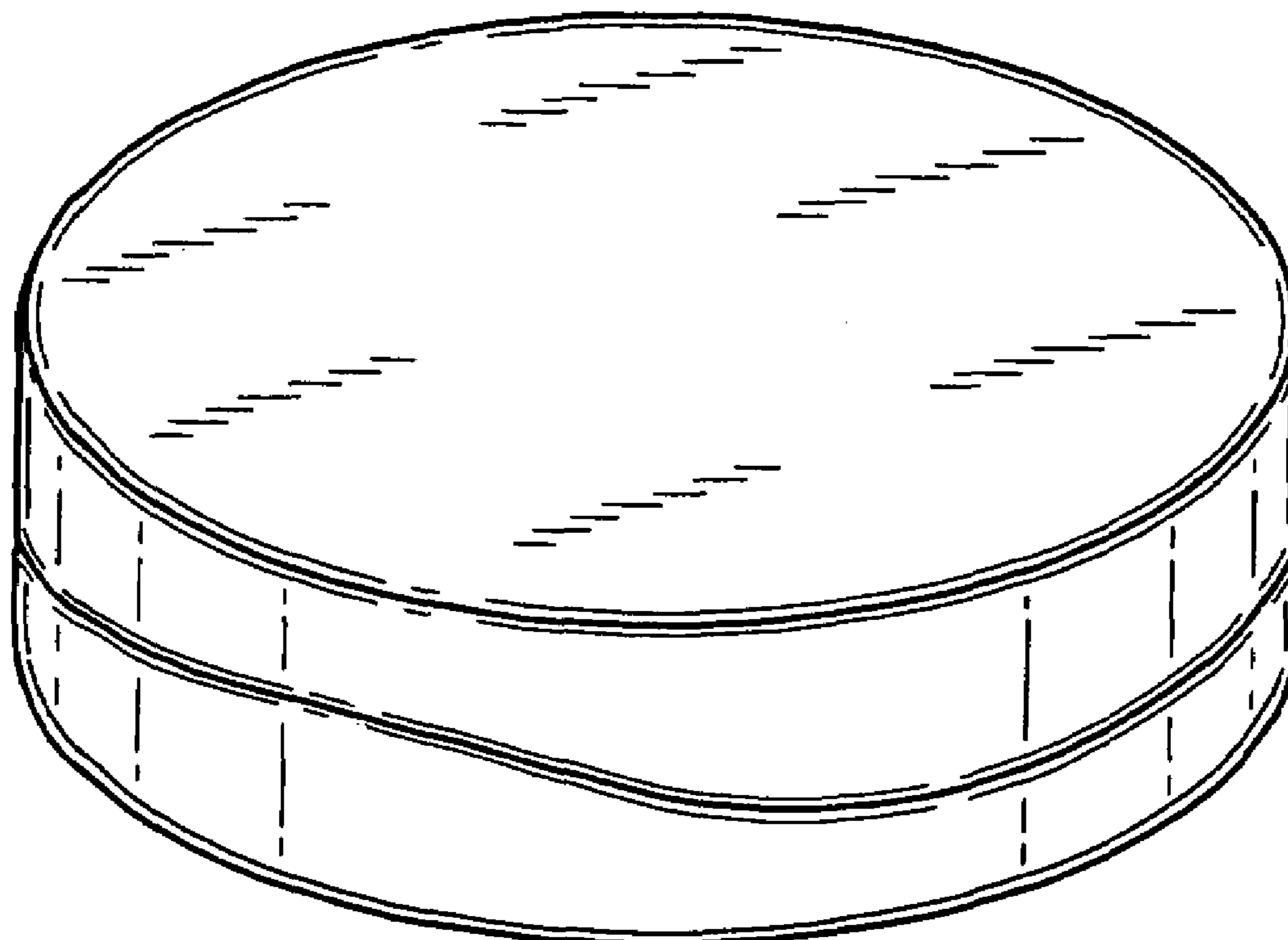
(56) **References Cited**

U.S. PATENT DOCUMENTS

4,098,421 A \* 7/1978 Foster ..... 215/321  
4,165,815 A \* 8/1979 Vetter ..... 220/4.27  
D352,896 S \* 11/1994 Jones ..... D9/428  
D494,474 S \* 8/2004 Houk et al. .... D9/504  
D498,678 S \* 11/2004 Ames ..... D9/529  
D510,524 S \* 10/2005 Houk et al. .... D9/503

The broken lines shown in the drawing disclosure are for illustrative purposes only and form no part of the claimed design.

**1 Claim, 2 Drawing Sheets**



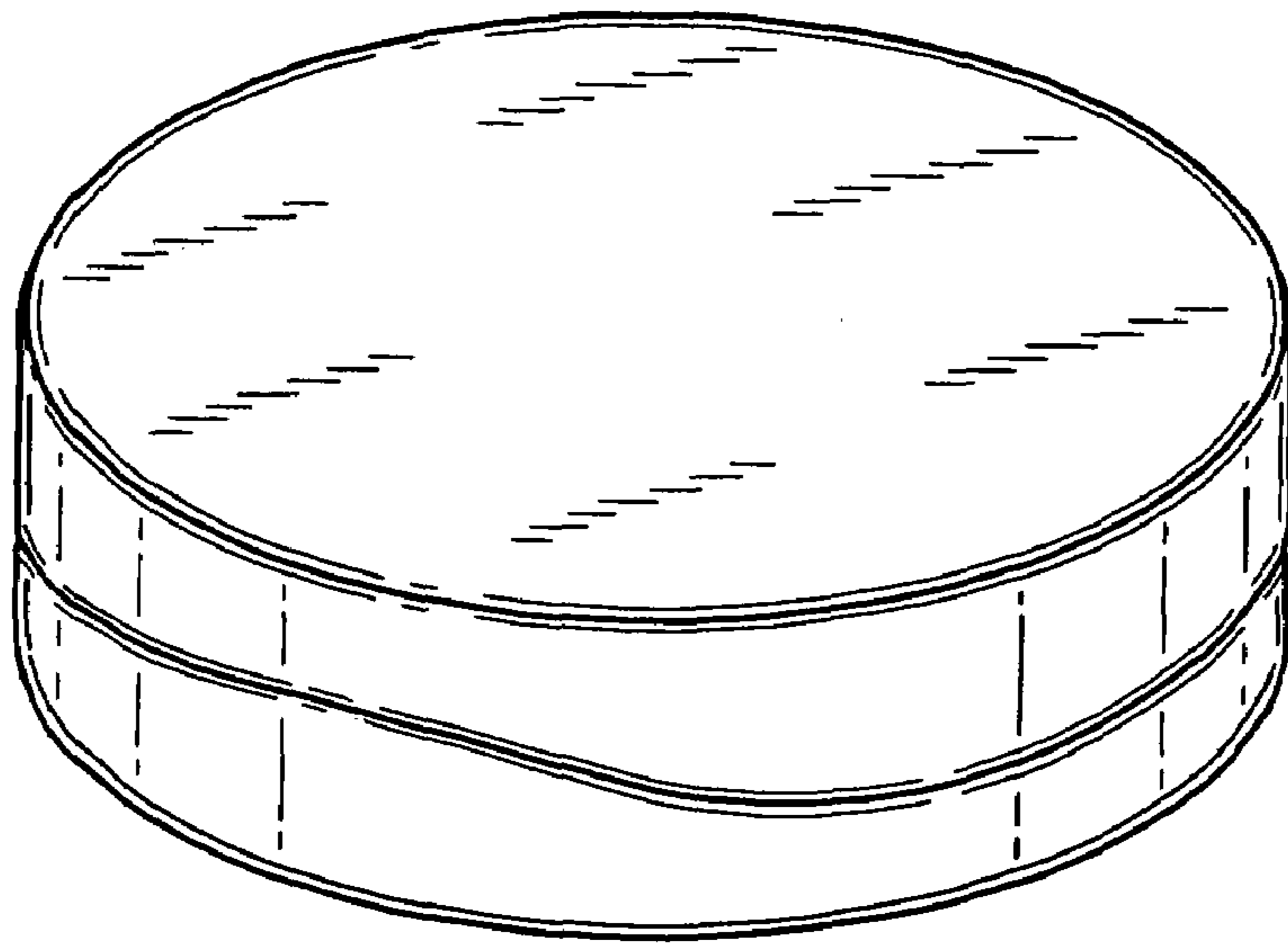


FIG. 1

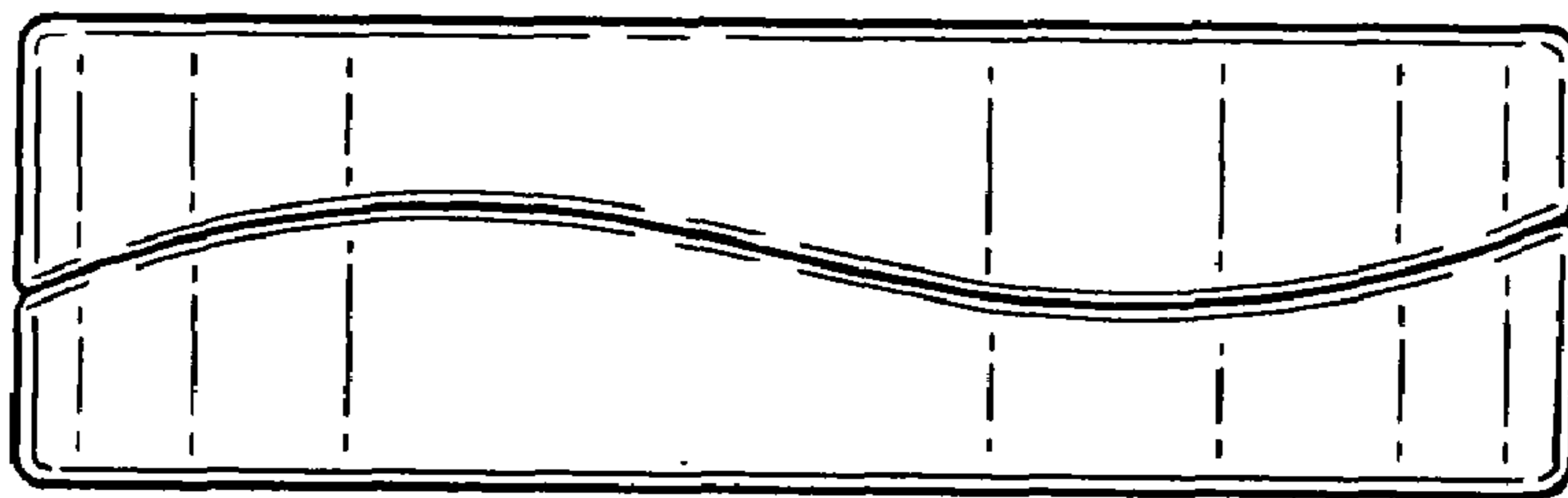


FIG. 2

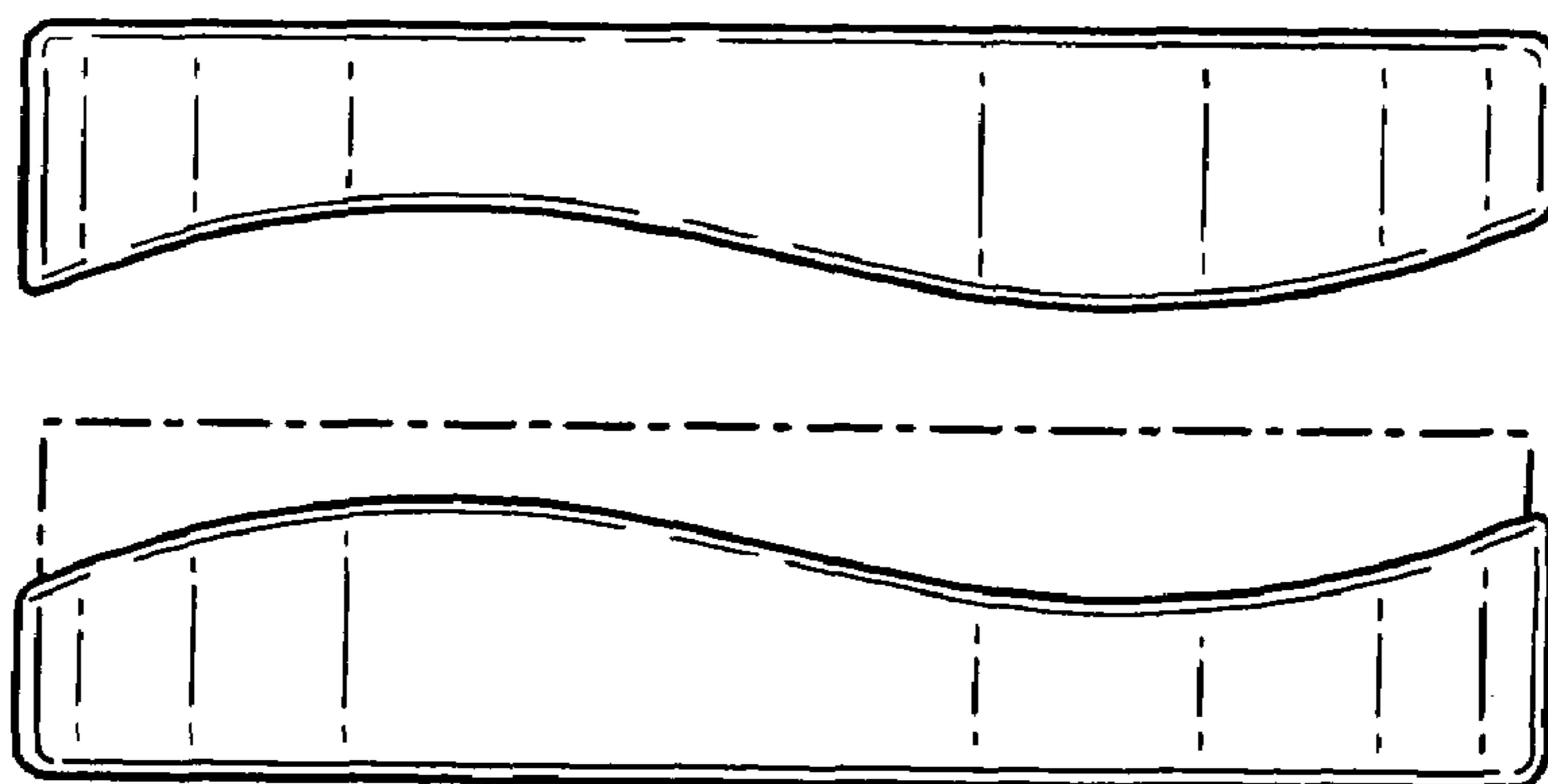


FIG. 3

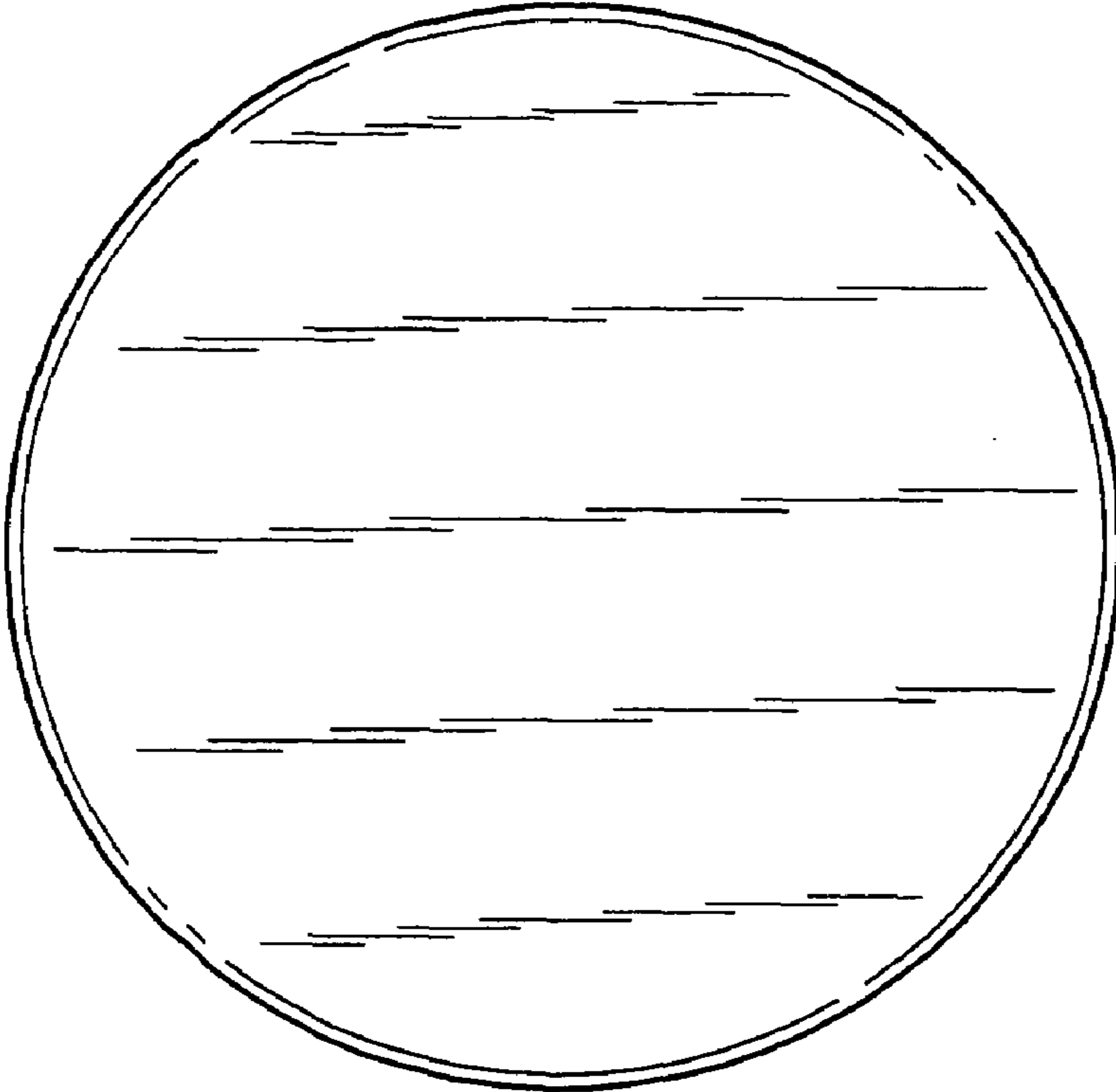


FIG. 4

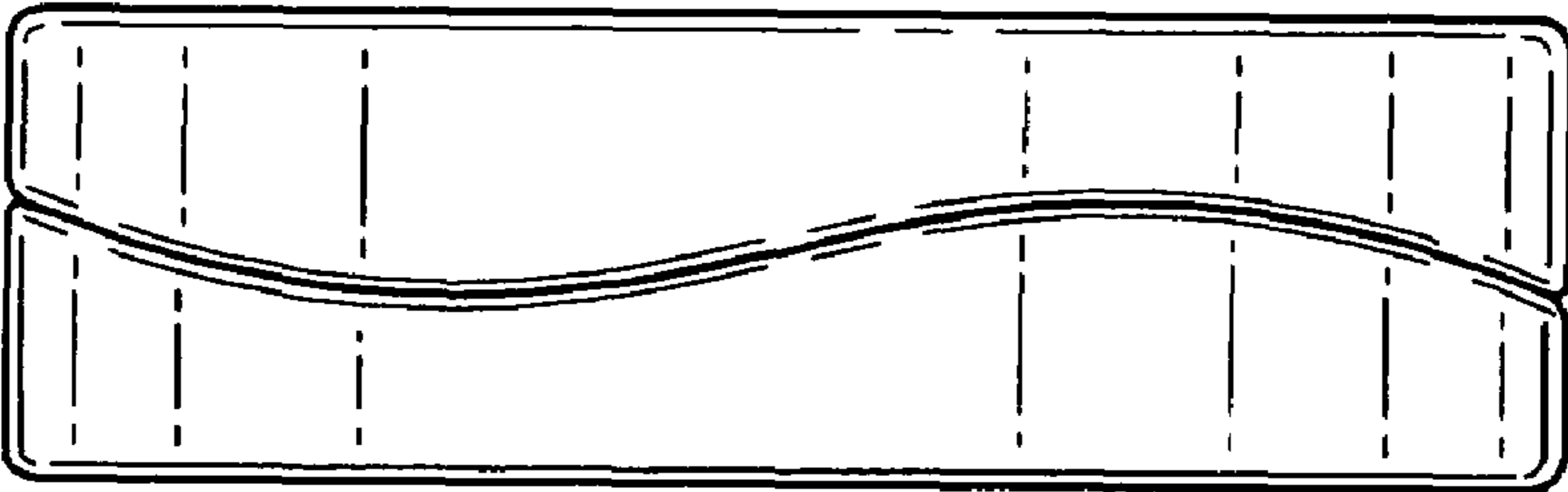


FIG. 5

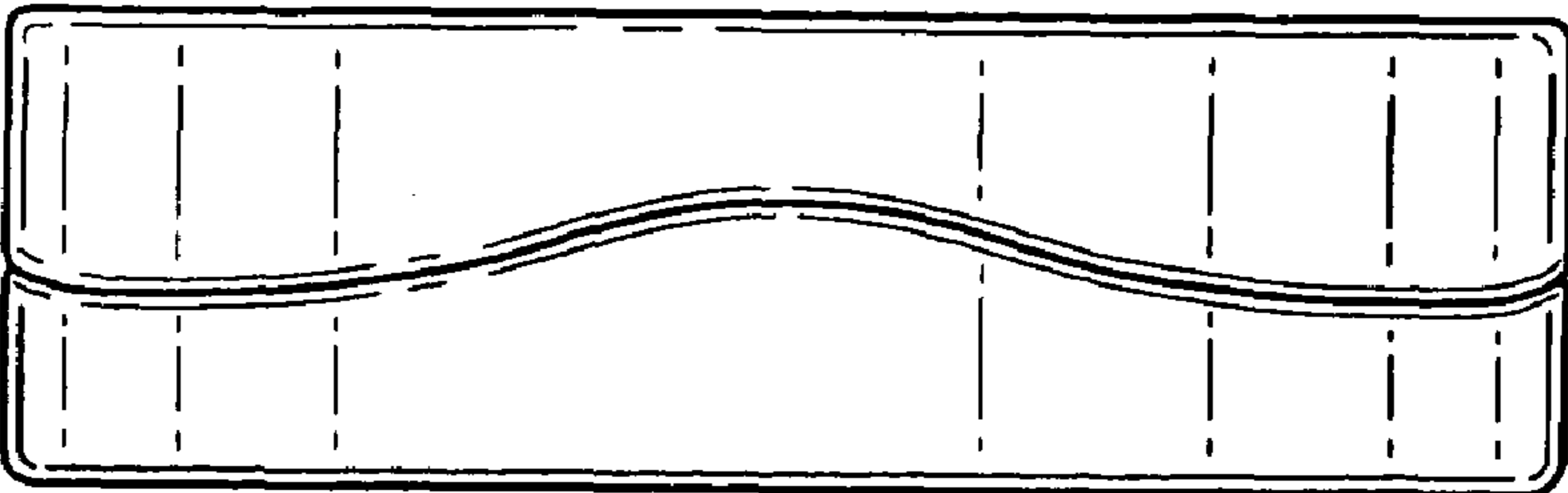


FIG. 6