



US00D589364S

(12) **United States Design Patent**  
**Kim**

(10) **Patent No.:** **US D589,364 S**  
(45) **Date of Patent:** **\*\* Mar. 31, 2009**

(54) **SHIRT AND TIES ARRANGED IN A BOX**

D343,356 S 1/1994 Wittman  
D346,960 S 5/1994 Bennett  
5,316,139 A 5/1994 Judd et al.  
D349,181 S 8/1994 Cheng  
5,499,484 A 3/1996 Herrin  
D368,588 S 4/1996 Goraleski et al.  
5,549,243 A 8/1996 Dorier et al.

(75) Inventor: **Cin Kim**, Alpine, NJ (US)

(73) Assignee: **Peacock Apparel Group, Inc.**, New York, NY (US)

(\*\*) Term: **14 Years**

(21) Appl. No.: **29/322,262**

(22) Filed: **Jul. 31, 2008**

(Continued)

(51) **LOC (9) Cl.** ..... **09-03**

(52) **U.S. Cl.** ..... **D9/721**

(58) **Field of Classification Search** ..... D9/414,  
D9/415, 418, 423, 430, 432, 434, 456, 457,  
D9/715, 721, 722, 737; D2/500-502, 600,  
D2/602, 605-607, 609, 728, 828-830, 840-842,  
D2/847, 849, 853, 854; D3/272; D6/300;  
2/66, 77, 102, 115, 137-139, 144, 145, 148,  
2/151, 154; 206/242, 554; 223/83, 84; 229/87.15,  
229/122, 125.08, 136, 160, 161, 240, 275

See application file for complete search history.

**OTHER PUBLICATIONS**

U.S. Appl. No. 12/171,574, filed Jul. 11, 2008, Kim.

(Continued)

*Primary Examiner*—Stella M Reid  
*Assistant Examiner*—Shanda C Hill  
(74) *Attorney, Agent, or Firm*—Leason Ellis LLP

(56) **References Cited**

**U.S. PATENT DOCUMENTS**

698,266 A 4/1902 Elliott  
1,862,353 A 6/1932 Allison  
2,063,255 A 12/1936 Madsen et al.  
2,233,207 A 2/1941 Gillam  
3,043,494 A 7/1962 Moore  
3,066,792 A 12/1962 Spilman  
3,346,881 A 10/1967 Mathison  
3,363,264 A 1/1968 Mathison  
3,511,364 A 5/1970 Airdo  
3,670,881 A 6/1972 Dutcher  
4,046,253 A 9/1977 Weaver  
4,173,792 A 11/1979 Intengan  
4,182,224 A 1/1980 Dutcher  
D261,479 S 10/1981 Marks  
4,762,272 A 8/1988 Herrin  
4,856,709 A 8/1989 Axelsson et al.  
4,933,991 A 6/1990 Love  
5,011,008 A \* 4/1991 Baker ..... 206/242

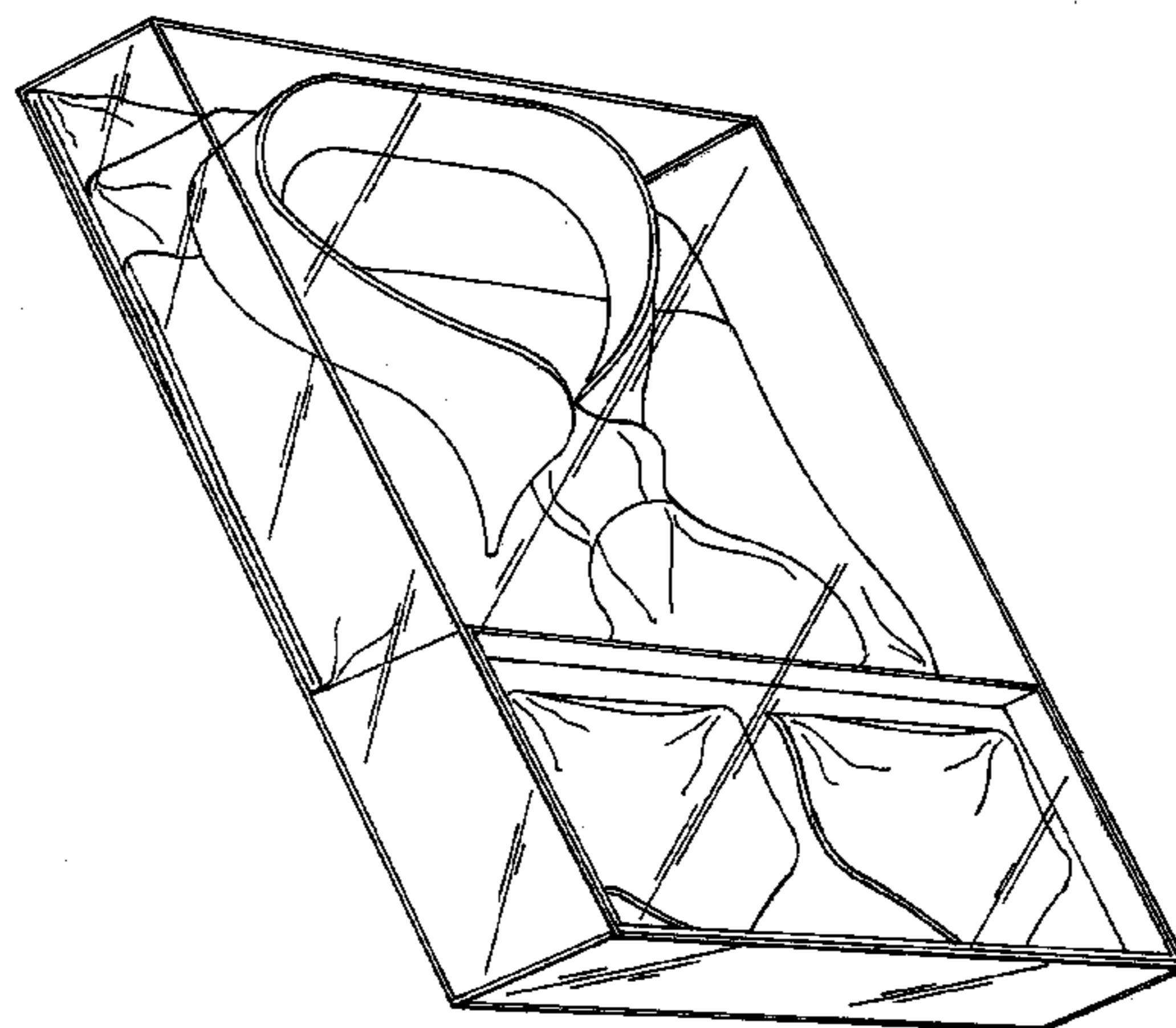
(57) **CLAIM**

The ornamental design for a shirt and ties arranged in a box,  
as shown and described.

**DESCRIPTION**

FIG. 1 is a top, front and side perspective view of a shirt and ties arranged in a box showing my new design;  
FIG. 2 is a top plan view thereof;  
FIG. 3 is a front elevation view thereof;  
FIG. 4 is a left side elevation view thereof, the right side being a mirror image thereof;  
FIG. 5 is a rear elevation view thereof; and,  
FIG. 6 is a bottom plan view thereof.

**1 Claim, 3 Drawing Sheets**



# US D589,364 S

Page 2

## U.S. PATENT DOCUMENTS

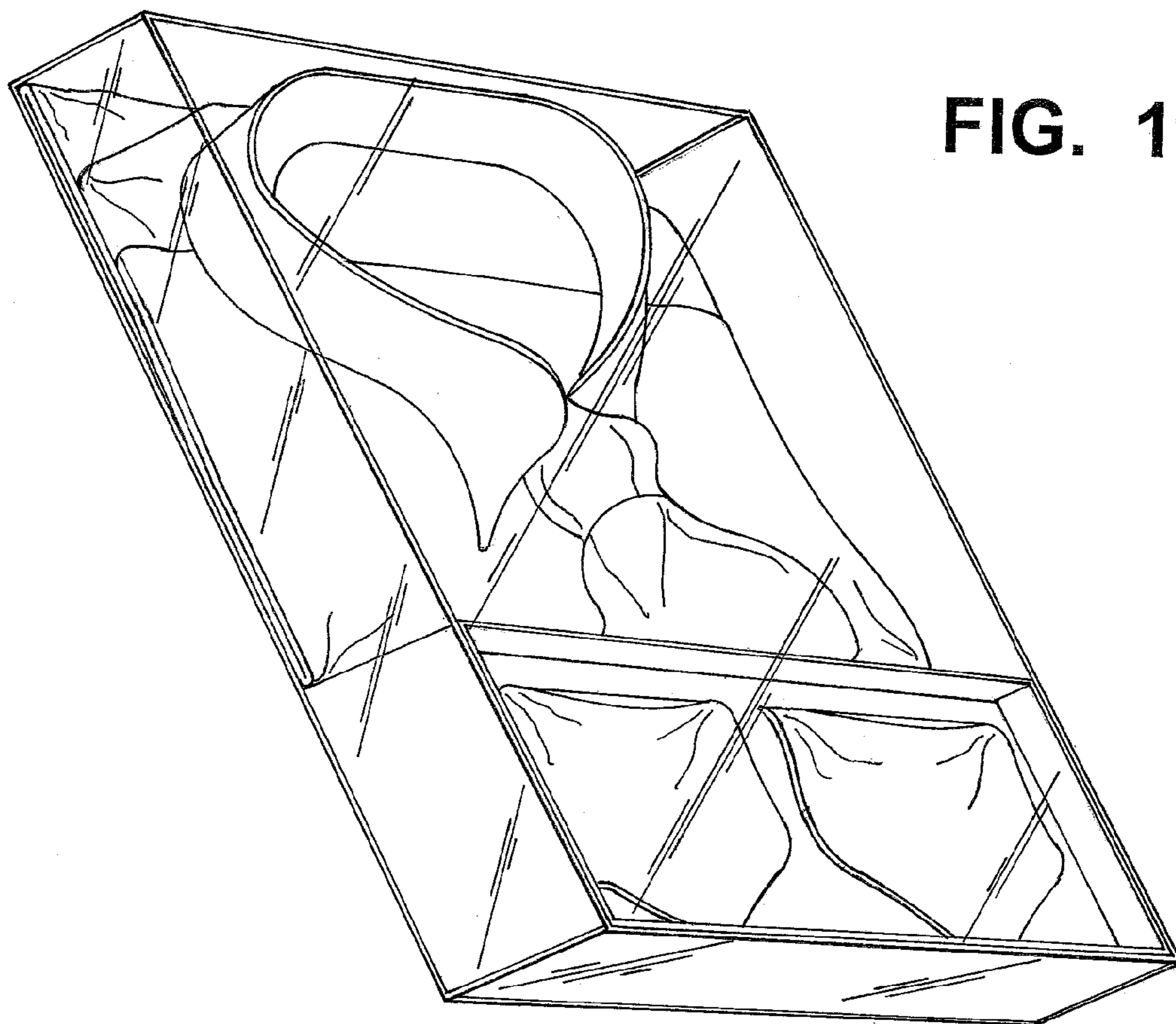
5,673,434 A 10/1997 Risk  
D390,339 S 2/1998 Dipietro  
6,041,998 A 3/2000 Goldberg et al.  
D423,359 S \* 4/2000 MacLean et al. .... D9/456  
6,142,365 A 11/2000 Breitbach  
6,460,189 B1 10/2002 Welch  
D492,595 S 7/2004 Chang  
7,096,509 B2 8/2006 Kim  
7,114,220 B2 10/2006 Kim  
D537,713 S \* 3/2007 Limber ..... D9/432  
D546,674 S 7/2007 Limber  
D549,097 S \* 8/2007 Limber ..... D9/432  
D553,495 S 10/2007 Vandecasteele et al.  
7,310,857 B2 12/2007 Kim  
D565,965 S 4/2008 Kim  
D565,966 S 4/2008 Kim  
D574,722 S 8/2008 Kim  
D574,723 S 8/2008 Kim  
D574,724 S 8/2008 Kim  
D574,725 S 8/2008 Kim  
D574,726 S 8/2008 Kim

D574,727 S 8/2008 Kim  
D574,728 S 8/2008 Kim  
D574,729 S 8/2008 Kim  
D574,730 S 8/2008 Kim  
2006/0186185 A1 \* 8/2006 Covelli ..... 229/122  
2007/0062846 A1 3/2007 Kim

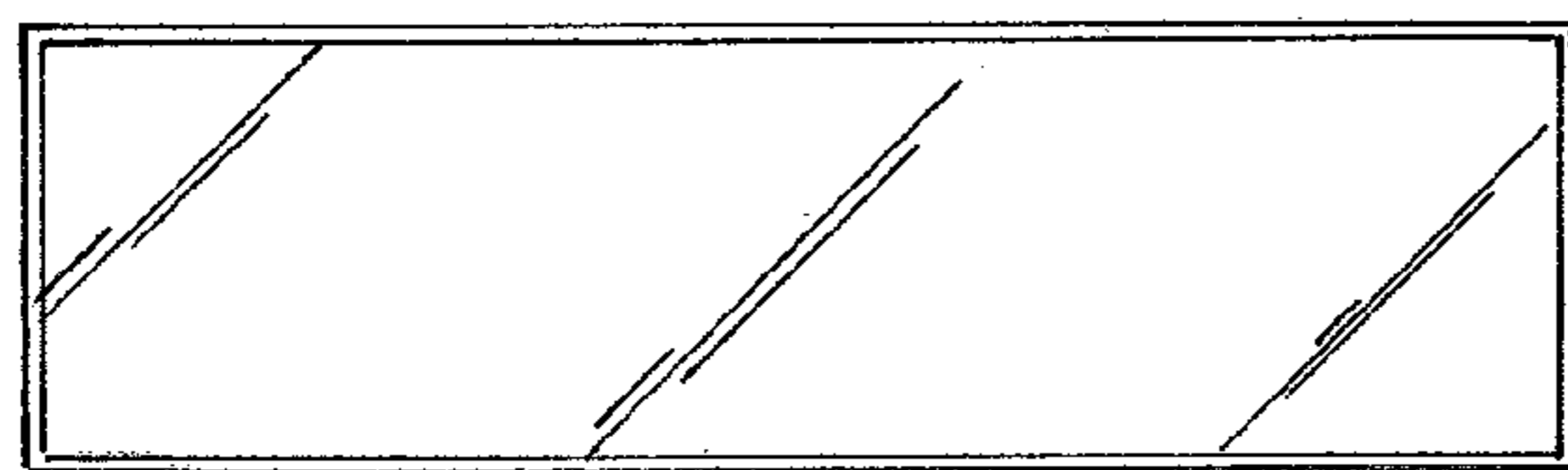
## OTHER PUBLICATIONS

U.S. Appl. No. 29/318,152, filed May 14, 2008, Kim.  
U.S. Appl. No. 29/318,279, filed May 16, 2008, Kim.  
U.S. Appl. No. 29/318,283, filed May 16, 2008, Kim.  
U.S. Appl. No. 29/320,041, filed Jun. 19, 2008, Kim.  
U.S. Appl. No. 29/322,265, filed Jul. 31, 2008, Kim.  
U.S. Appl. No. 29/322,584, filed Aug. 7, 2008, Kim.  
U.S. Appl. No. 29/322,588, filed Aug. 7, 2008, Kim.  
U.S. Appl. No. 29/322,589, filed Aug. 7, 2008, Kim.  
U.S. Appl. No. 29/326,598, filed Oct. 21, 2008, Kim.  
U.S. Appl. No. 29/326,116, filed Oct. 13, 2008, Kim.  
U.S. Appl. No. 29/326,117, filed Oct. 13, 2008, Kim.  
U.S. Appl. No. 29/325,195, filed Sep. 26, 2008, Kim.  
U.S. Appl. No. 29/325,199, filed Sep. 26, 2006, Kim.

\* cited by examiner

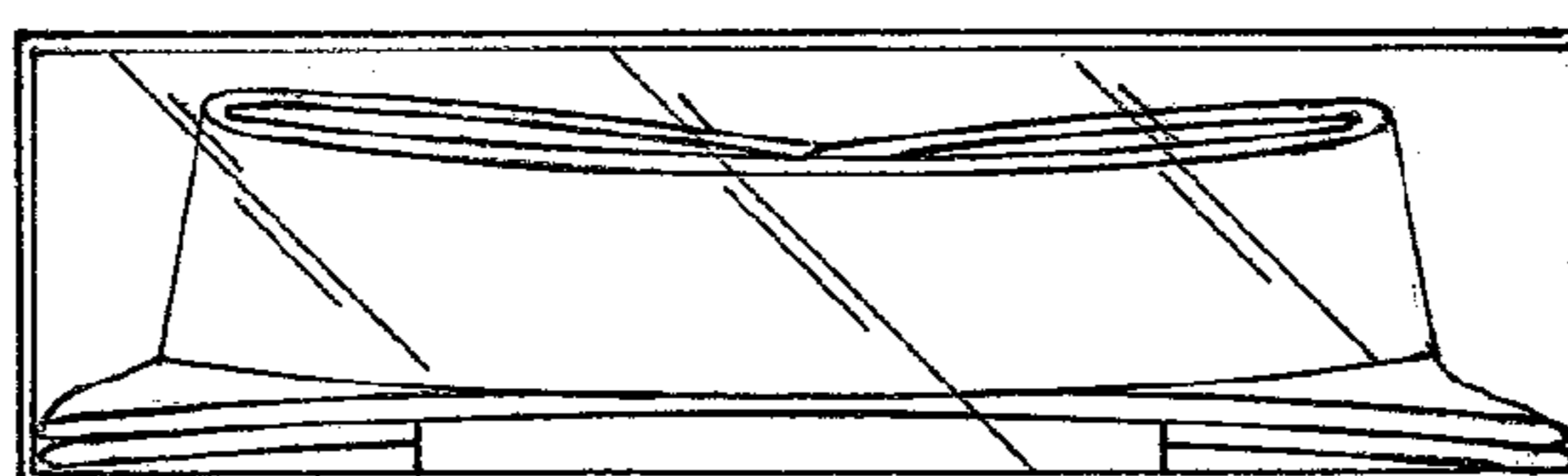


**FIG. 1**

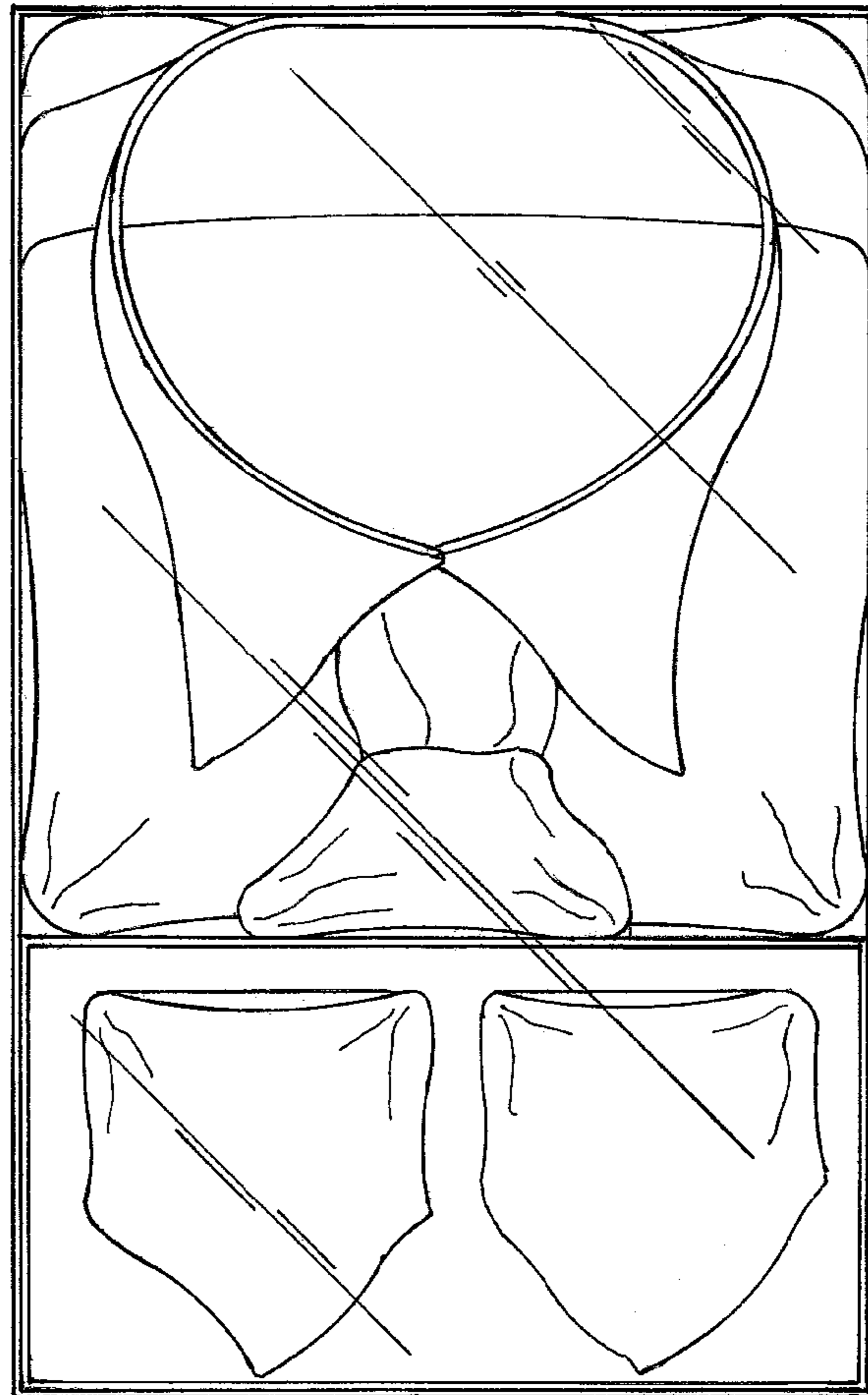


**FIG. 3**

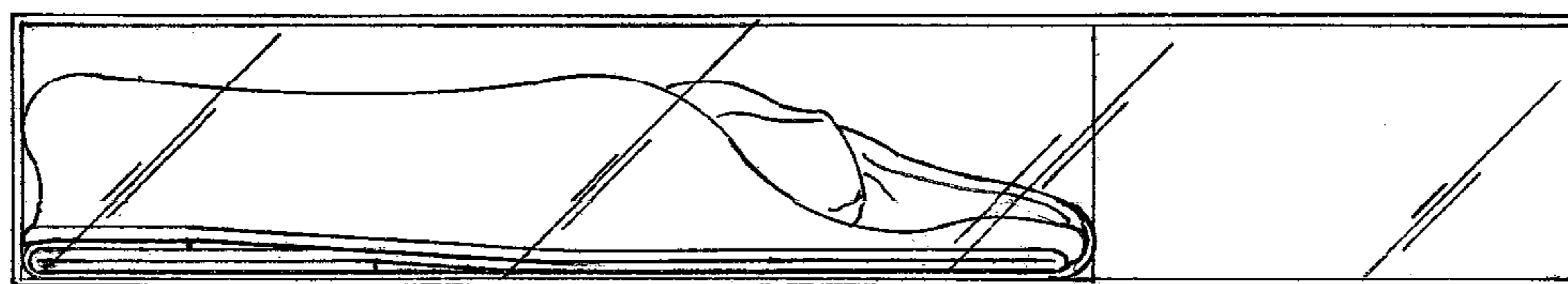
**FIG. 5**



**FIG. 2**



**FIG. 4**



**FIG. 6**

