



US00D589348S

(12) **United States Design Patent**  
**Miller et al.**

(10) **Patent No.:** **US D589,348 S**  
(45) **Date of Patent:** **\*\* Mar. 31, 2009**

(54) **DOSING SPOUT/CAP**

(75) Inventors: **Anthony R. Miller**, Pittsburgh, PA (US);  
**Ronald Hedman**, Crystal Lake, IL (US);  
**Joel Faaborg**, Phoenix, AZ (US); **Keith Cardinal**, Gilbert, AZ (US)

(73) Assignee: **The Dial Corporation**, Scottsdale, AZ (US)

(\*\*) Term: **14 Years**

(21) Appl. No.: **29/269,637**

(22) Filed: **Dec. 5, 2006**

(51) **LOC (9) Cl.** ..... **09-07**

(52) **U.S. Cl.** ..... **D9/447; D9/449; D9/445; D9/453; D9/454**

(58) **Field of Classification Search** ..... D9/454, D9/453, 452, 451, 447, 443, 441, 438, 435, D9/44, 4; D73/396.4, 391; D23/250; 215/329, 215/305, 295, 256, 252, 246; 222/109, 111  
See application file for complete search history.

(56) **References Cited**

**U.S. PATENT DOCUMENTS**

4,078,700	A *	3/1978	Hidding	.....	222/109
D292,492	S *	10/1987	Ross et al.	.....	D9/453
5,251,788	A *	10/1993	Moore	.....	222/111
D382,482	S *	8/1997	Lathrop et al.	.....	D9/453
6,123,231	A *	9/2000	Geisinger	.....	222/109
D435,445	S *	12/2000	Arai et al.	.....	D9/447

6,223,946	B1 *	5/2001	Geisinger et al.	.....	222/111
D443,820	S *	6/2001	Crawford et al.	.....	D9/453
D527,632	S *	9/2006	Romer	.....	D9/453

\* cited by examiner

*Primary Examiner*—Susan B Hattan

(74) *Attorney, Agent, or Firm*—Thomas G. Krivulka

(57) **CLAIM**

The ornamental design for a dosing spout/cap, as shown and described.

**DESCRIPTION**

FIG. 1 is a right, front, upper perspective view of the dosing spout/cap embodying our new design;

FIG. 2 is a left side elevation view thereof;

FIG. 3 is a top plan view thereof;

FIG. 4 is a top, perspective view of a cap that forms part of the design of FIG. 1;

FIG. 5 is a left side elevation view thereof;

FIG. 6 is a top plan view thereof; and,

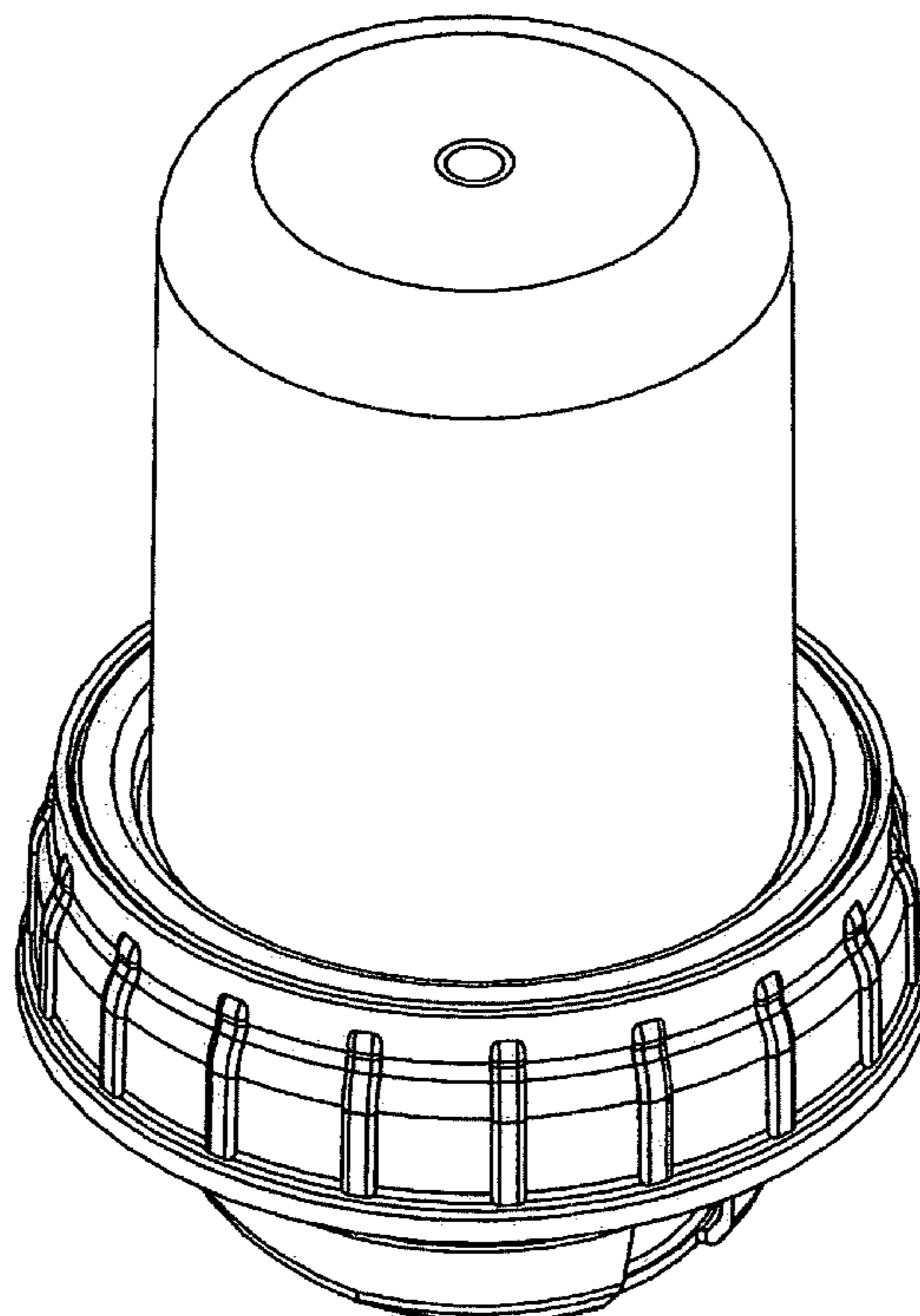
FIG. 7 is a top, perspective view of a spout that forms part of the design of FIG. 1;

FIG. 8 is a left side elevation view thereof; and,

FIG. 9 is a bottom plan view thereof.

The broken lines in the drawing depict environmental subject matter only and form no part of the claimed design.

**1 Claim, 9 Drawing Sheets**



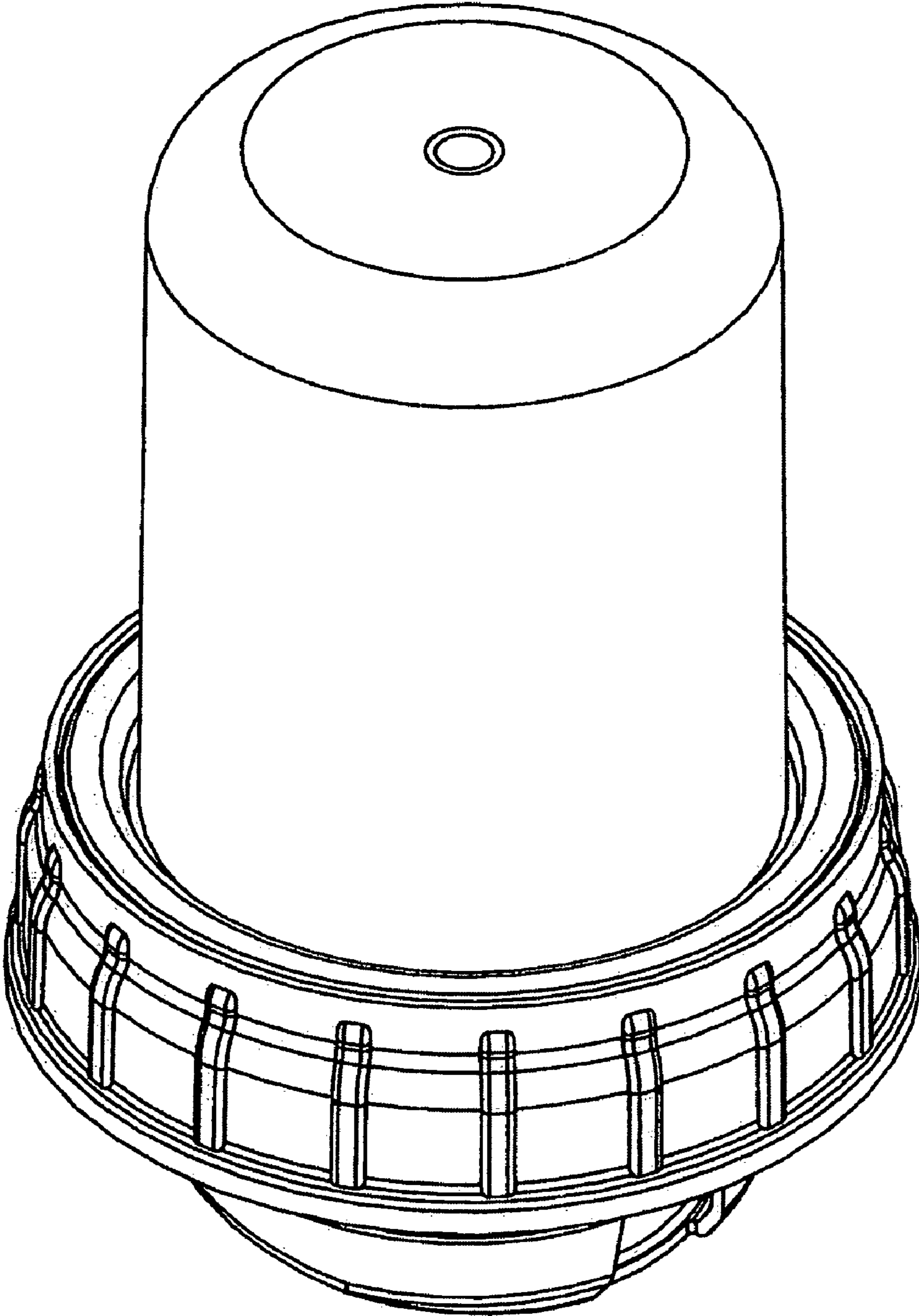


FIG. 1

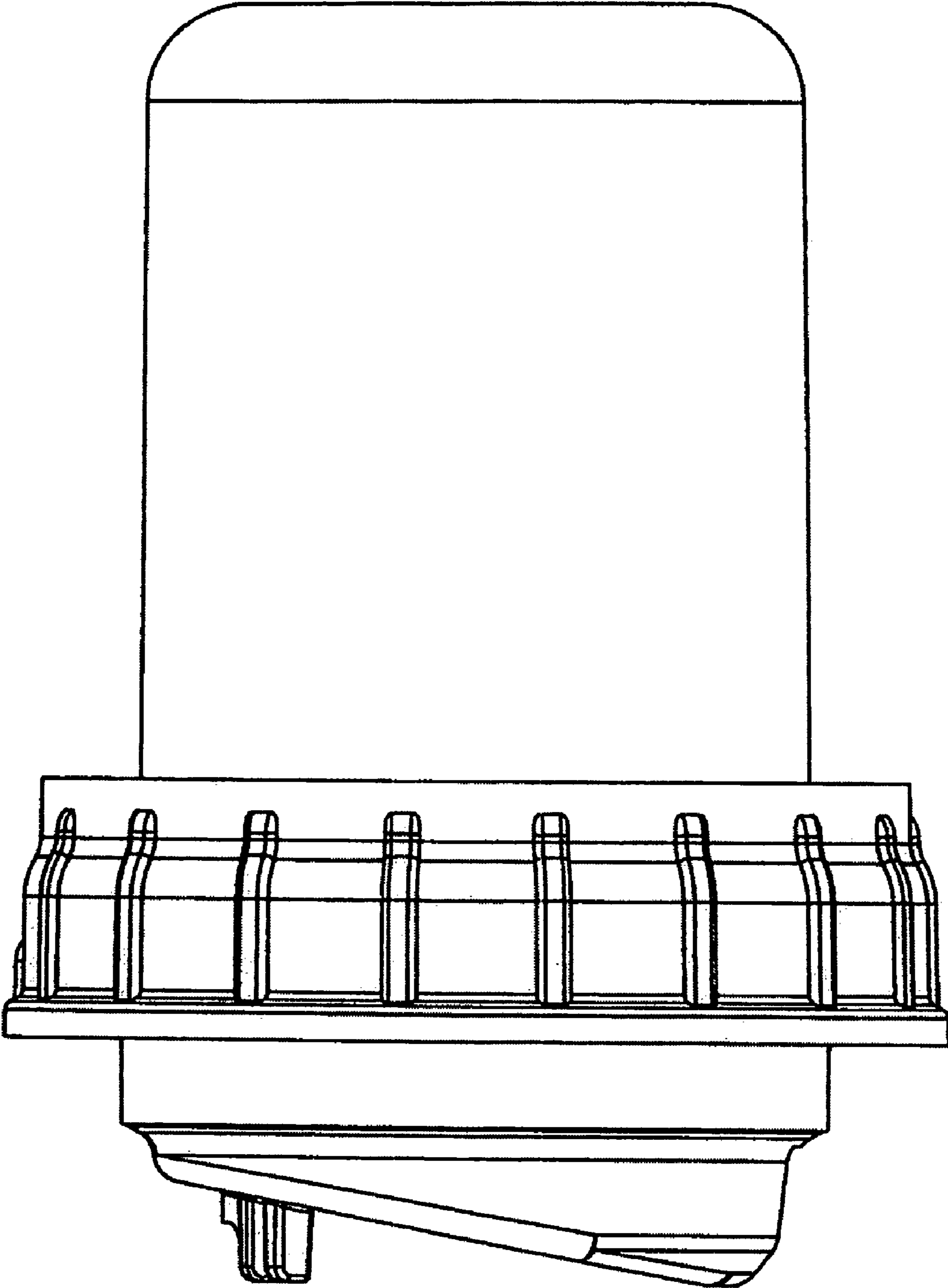


FIG.2

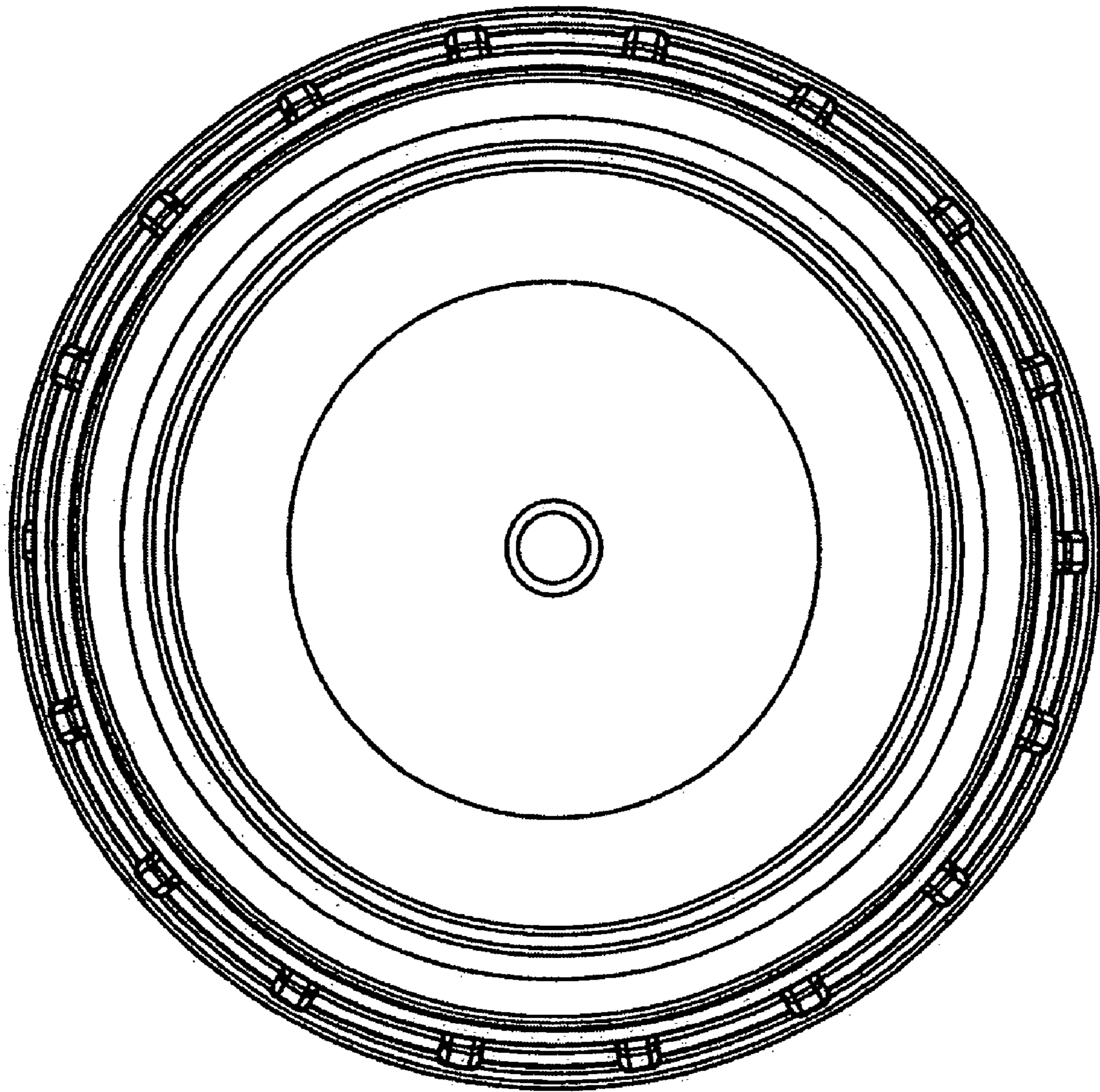


FIG.3

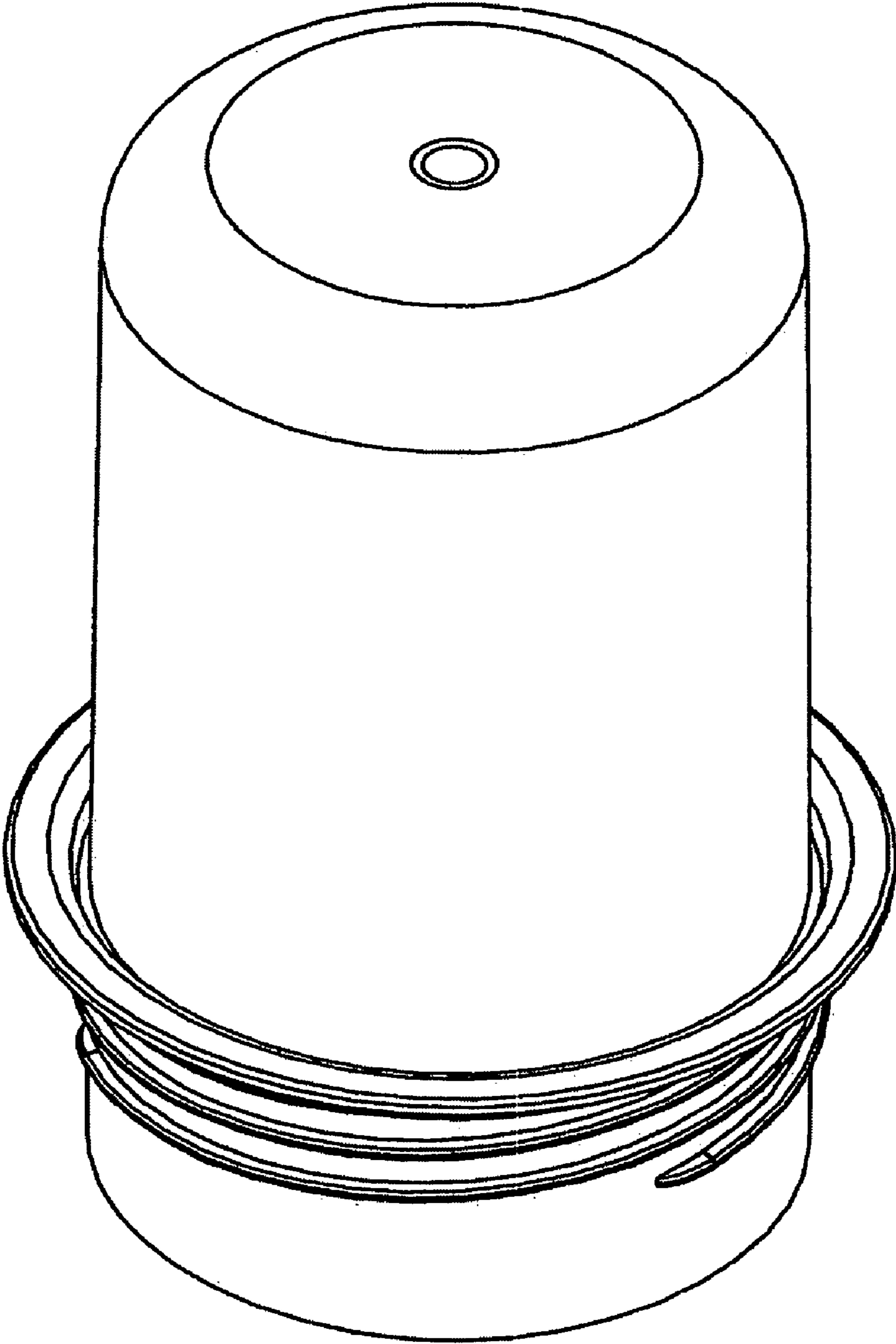


FIG.4

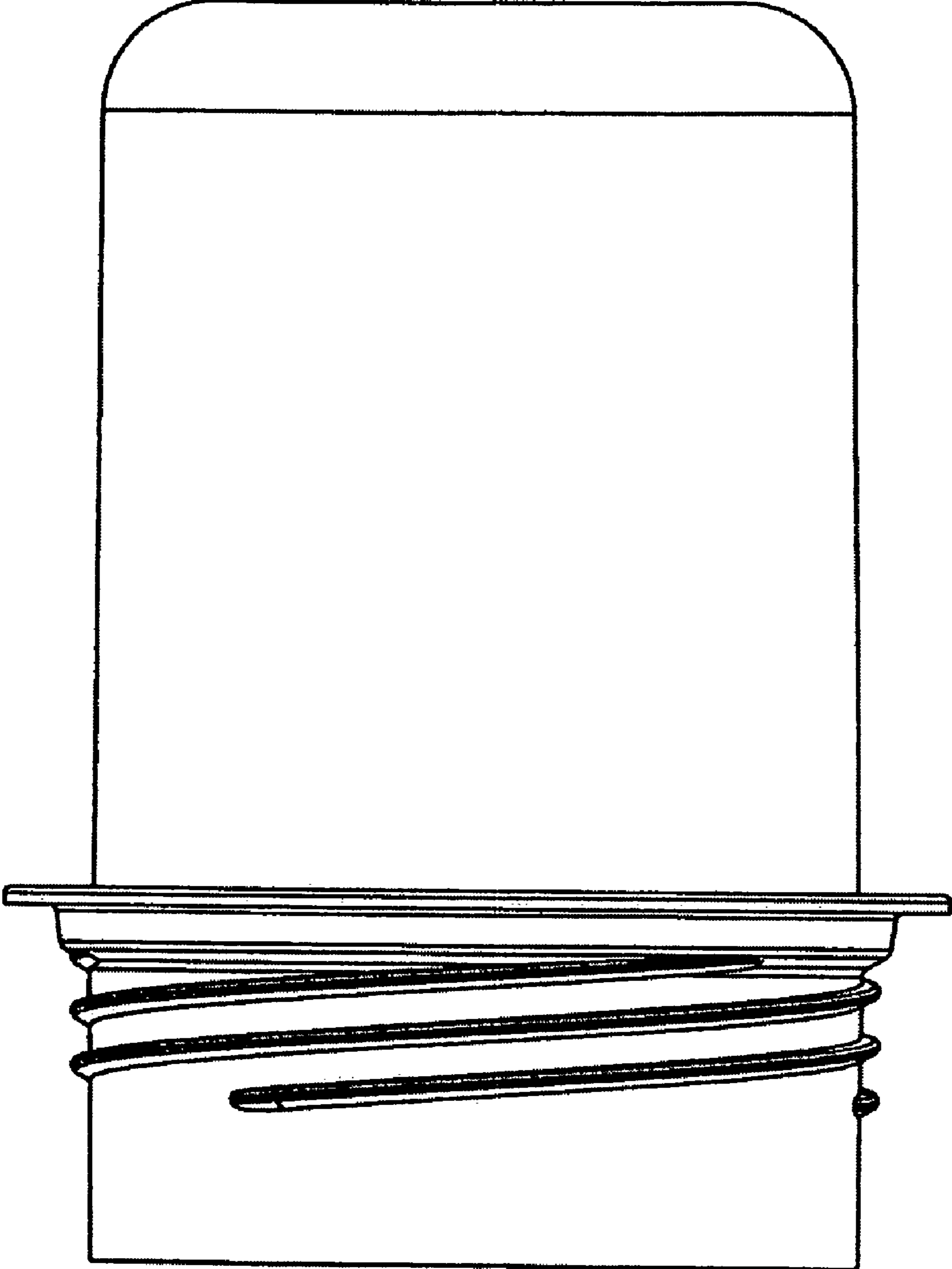


FIG.5

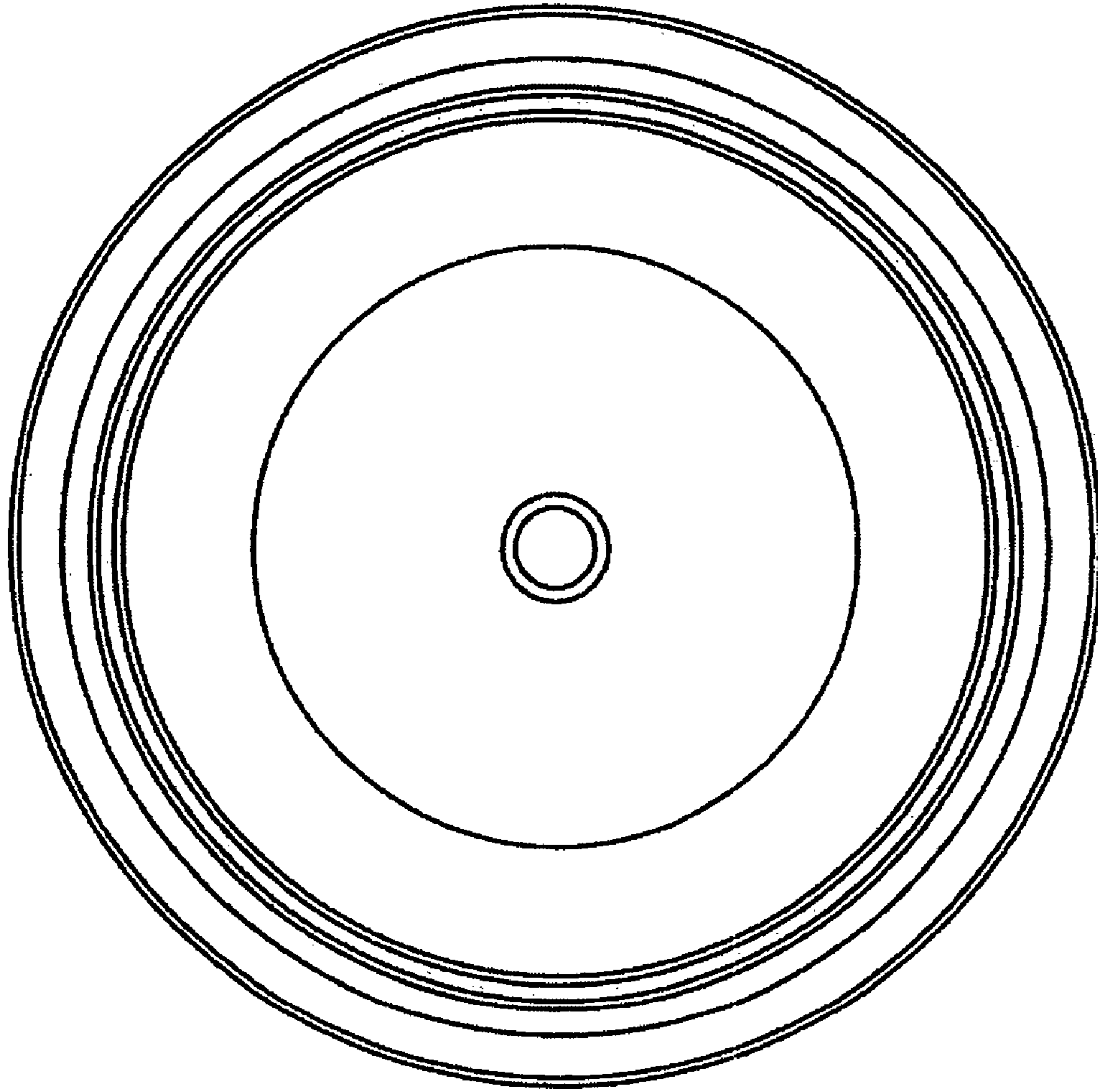


FIG.6

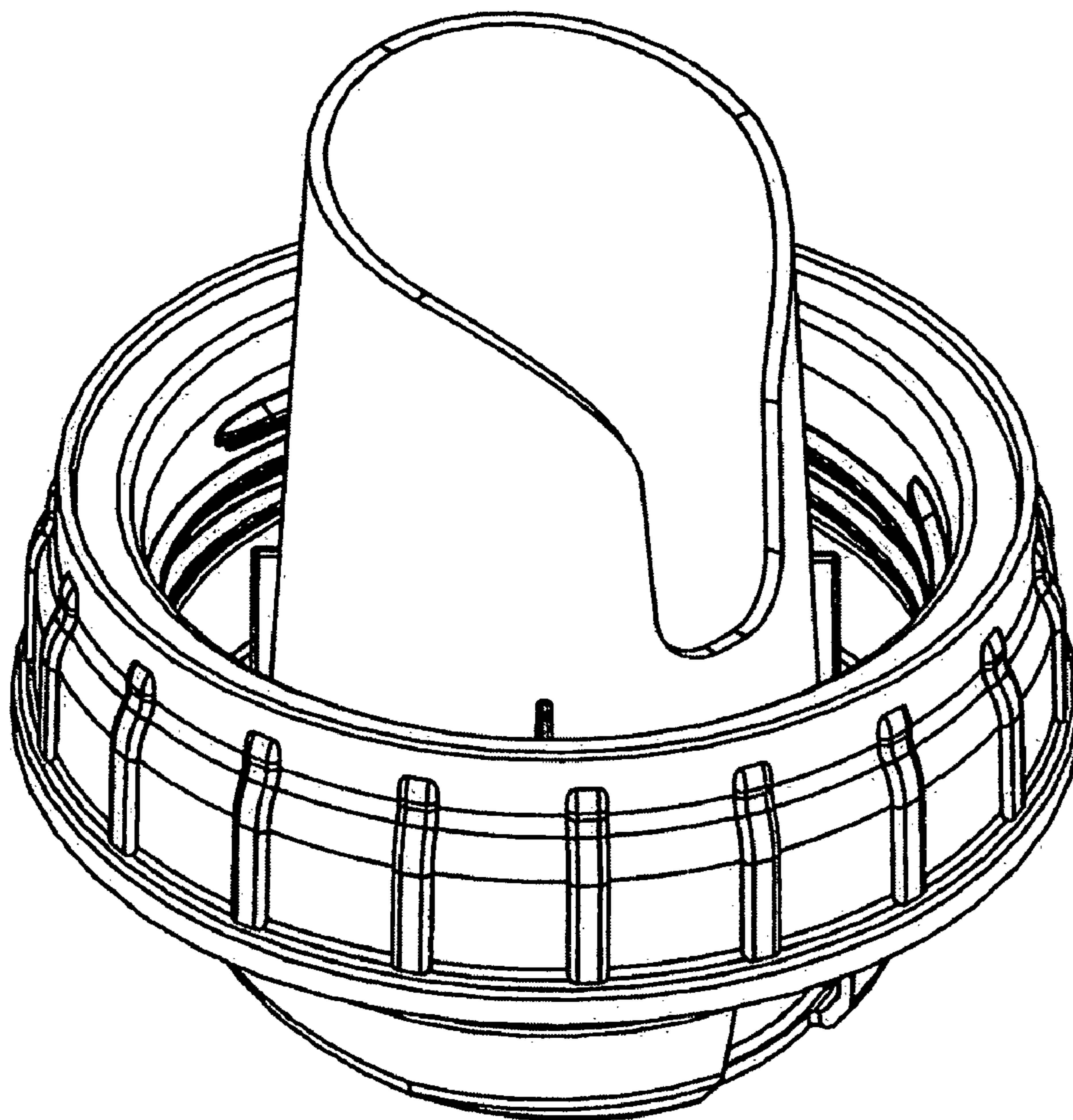


FIG.7



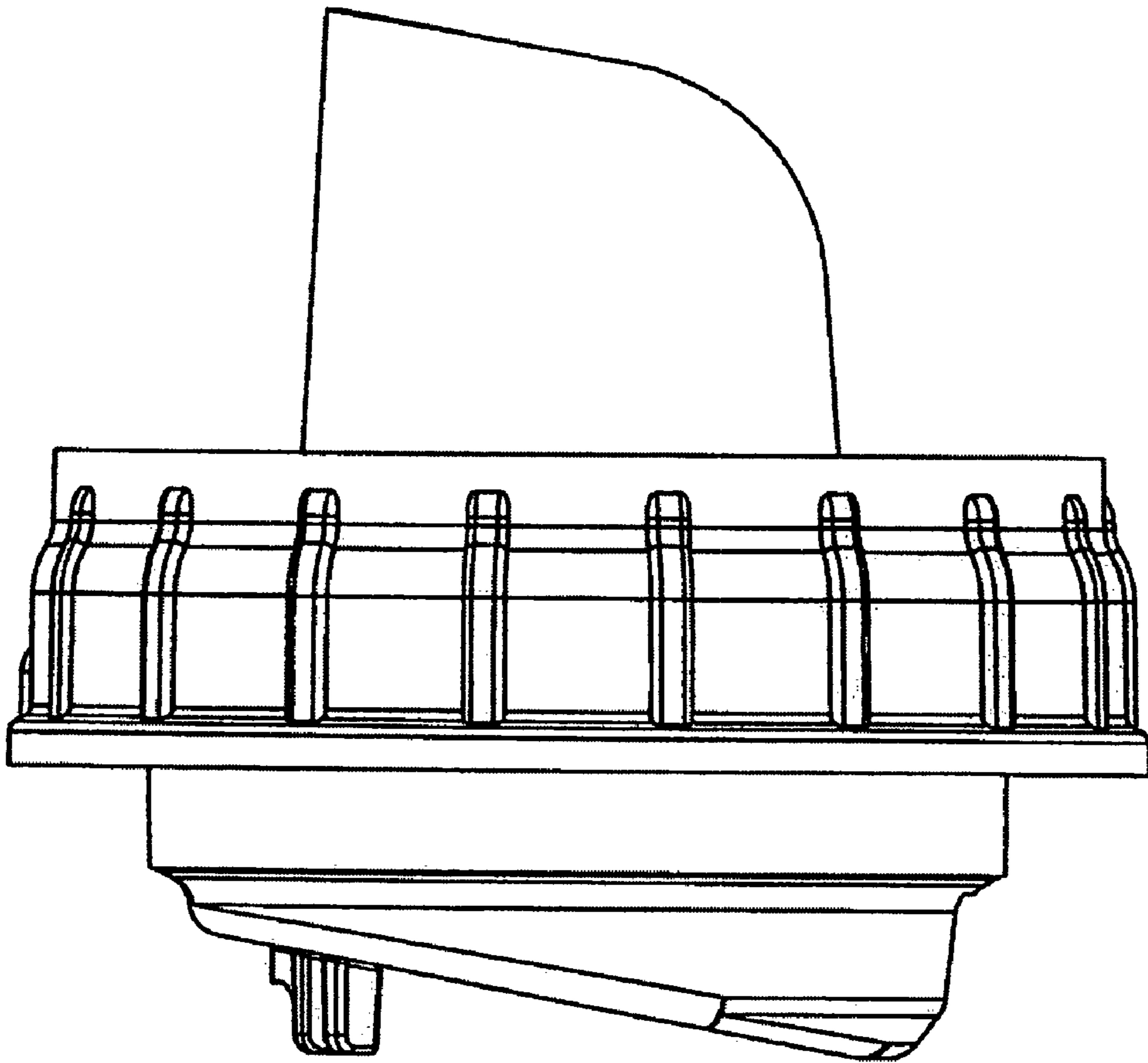


FIG.8

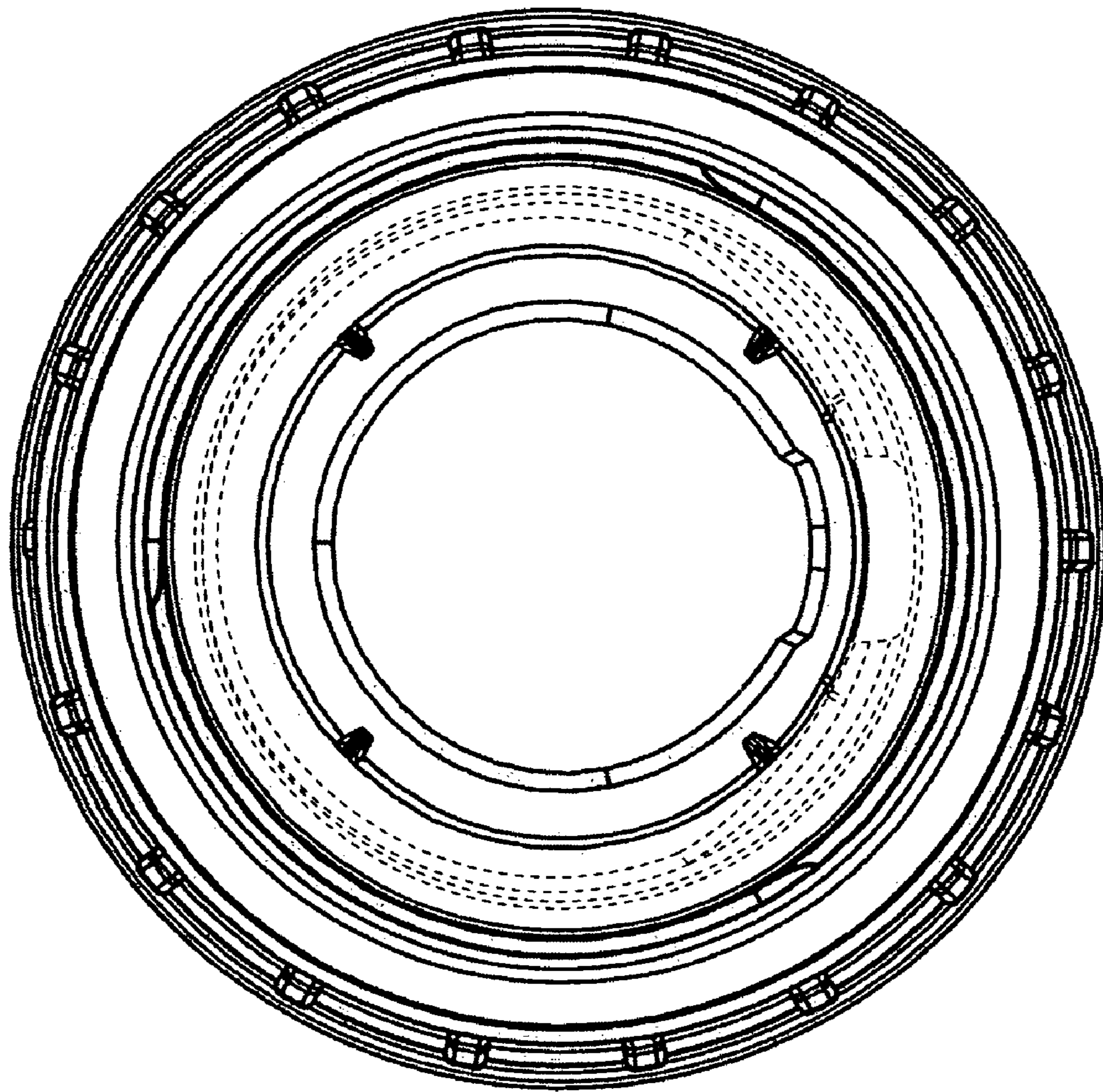


FIG.9