



US00D589341S

(12) **United States Design Patent**
Busse et al.

(10) **Patent No.:** **US D589,341 S**
(45) **Date of Patent:** **** Mar. 31, 2009**

(54) **CLAMSHELL PACKAGE**

(76) Inventors: **Ursula Busse**, Flughafenstrasse 52,
Mörfelden-Walldorf (DE) 64546; **David**
Bezalel, Flughafenstrasse 52,
Mörfelden-Walldorf (DE) 64546

(**) Term: **14 Years**

(21) Appl. No.: **29/276,014**

(22) Filed: **Jan. 11, 2007**

(30) **Foreign Application Priority Data**

Jul. 11, 2006 (EM) 000558341-0007

(51) **LOC (9) Cl.** **09-03**

(52) **U.S. Cl.** **D9/424; D9/425**

(58) **Field of Classification Search** D9/414,
D9/418, 424-426, 428, 455, 517, 738; D3/316;
D7/602, 625; 206/139, 150, 155, 168, 769,
206/779, 822; 220/509, 516, 517; 229/103.2
See application file for complete search history.

(56) **References Cited**

U.S. PATENT DOCUMENTS

4,339,033 A * 7/1982 Cillario 206/216
D293,767 S * 1/1988 Powers D9/761
D343,359 S * 1/1994 Taylor et al. D9/752
D351,103 S * 10/1994 Reynolds D9/456
5,392,945 A * 2/1995 Syrek 220/608

D365,272 S * 12/1995 Krupa et al. D9/425
D366,828 S * 2/1996 Bachand et al. D9/761
5,624,052 A * 4/1997 Caldi 220/575
6,520,366 B1 * 2/2003 Bradley et al. 220/23.2

* cited by examiner

Primary Examiner—Prabhakar Deshmukh

Assistant Examiner—Derrick Holland

(74) *Attorney, Agent, or Firm*—Christensen O'Connor
Johnson Kindness PLLC

(57) **CLAIM**

The ornamental design for a clamshell package, as shown and
described.

DESCRIPTION

FIG. 1 is an upper front left perspective view of a clamshell
package showing our new design;

FIG. 2 is a front elevation view thereof;

FIG. 3 is a top plan view thereof;

FIG. 4 is a bottom plan view thereof;

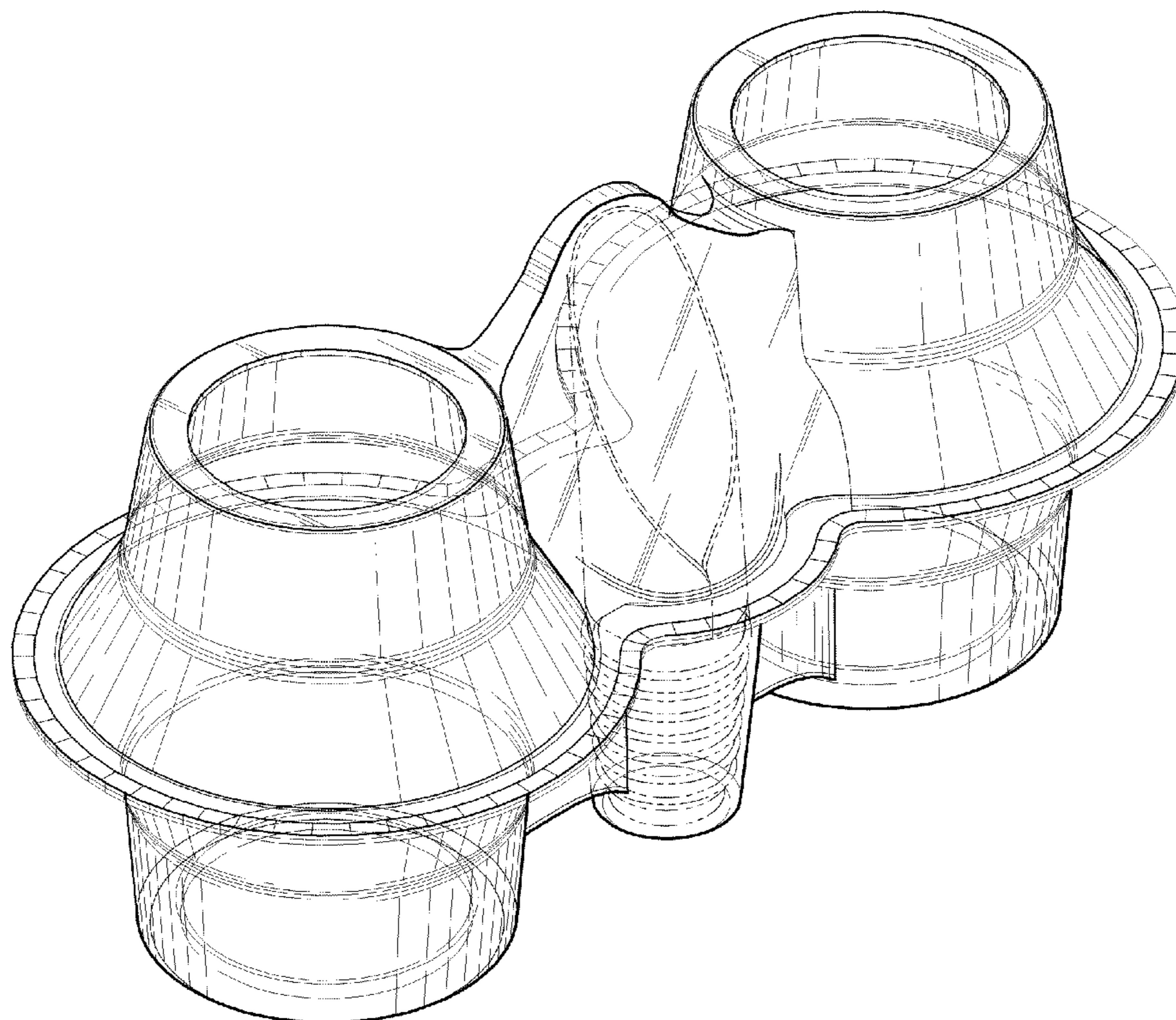
FIG. 5 is a right side elevation view thereof;

FIG. 6 is a left side elevation view thereof; and,

FIG. 7 is a rear elevation view thereof.

The broken lines shown in the views represent unclaimed
subject matter and form no part of the claimed design.

1 Claim, 5 Drawing Sheets



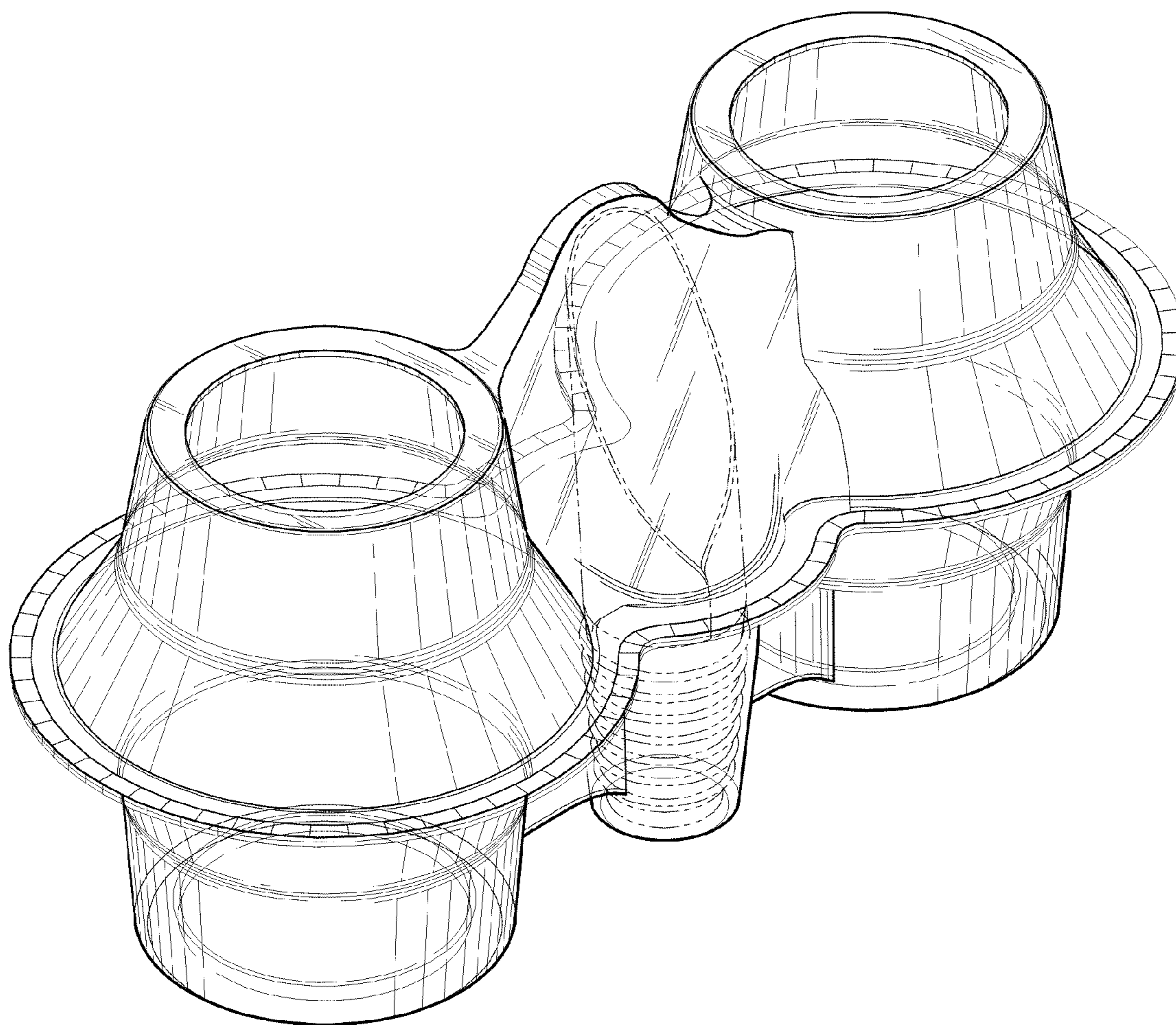


Fig. 1.

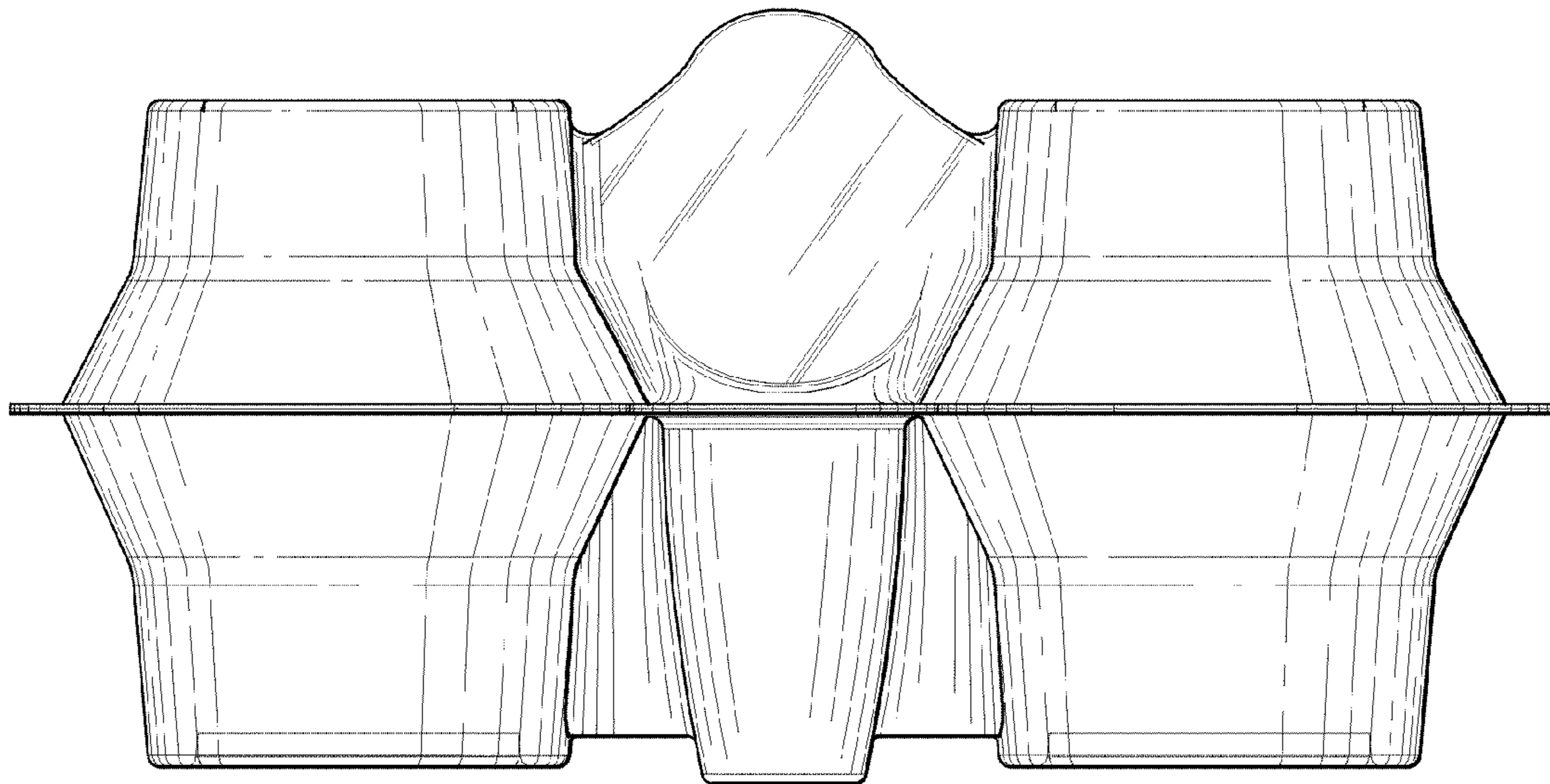


Fig.2.

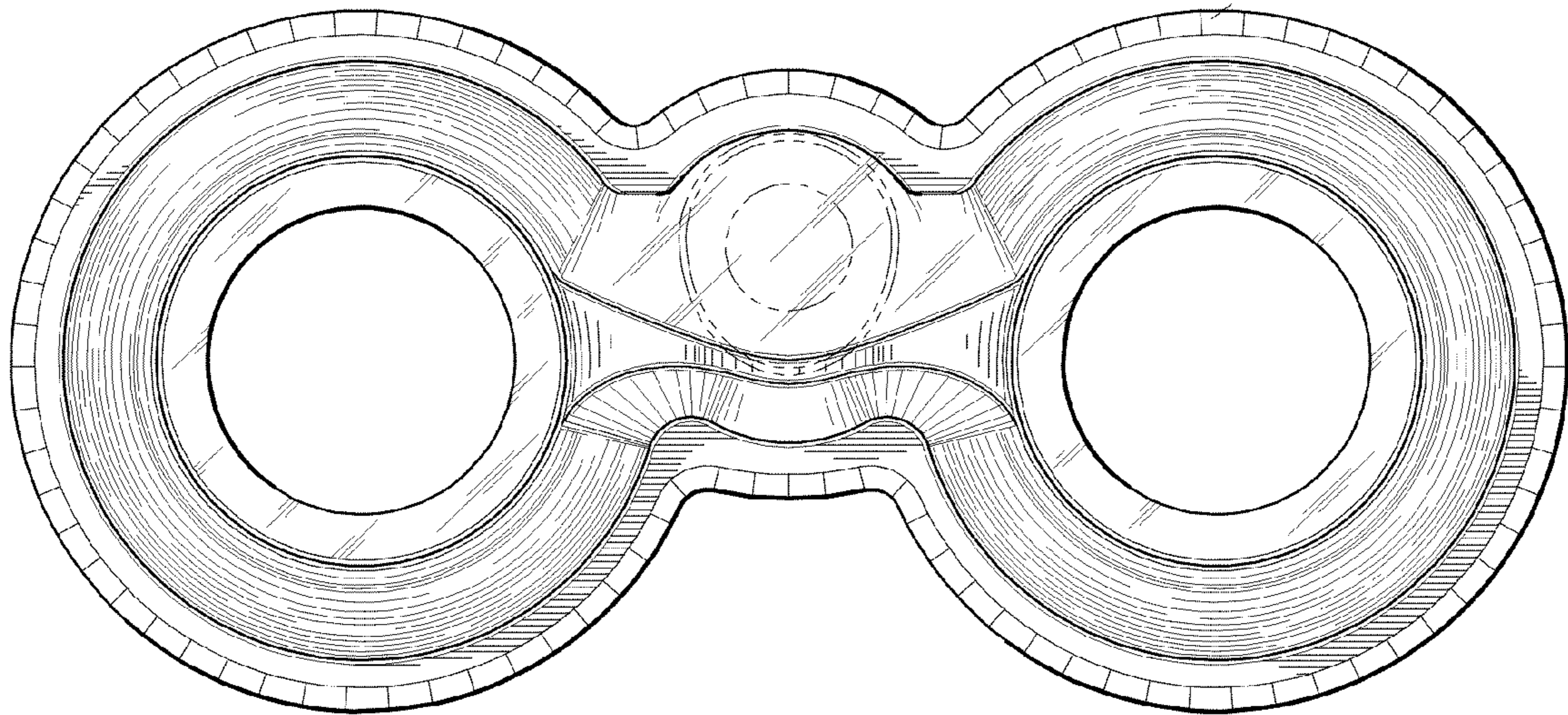


Fig.3.

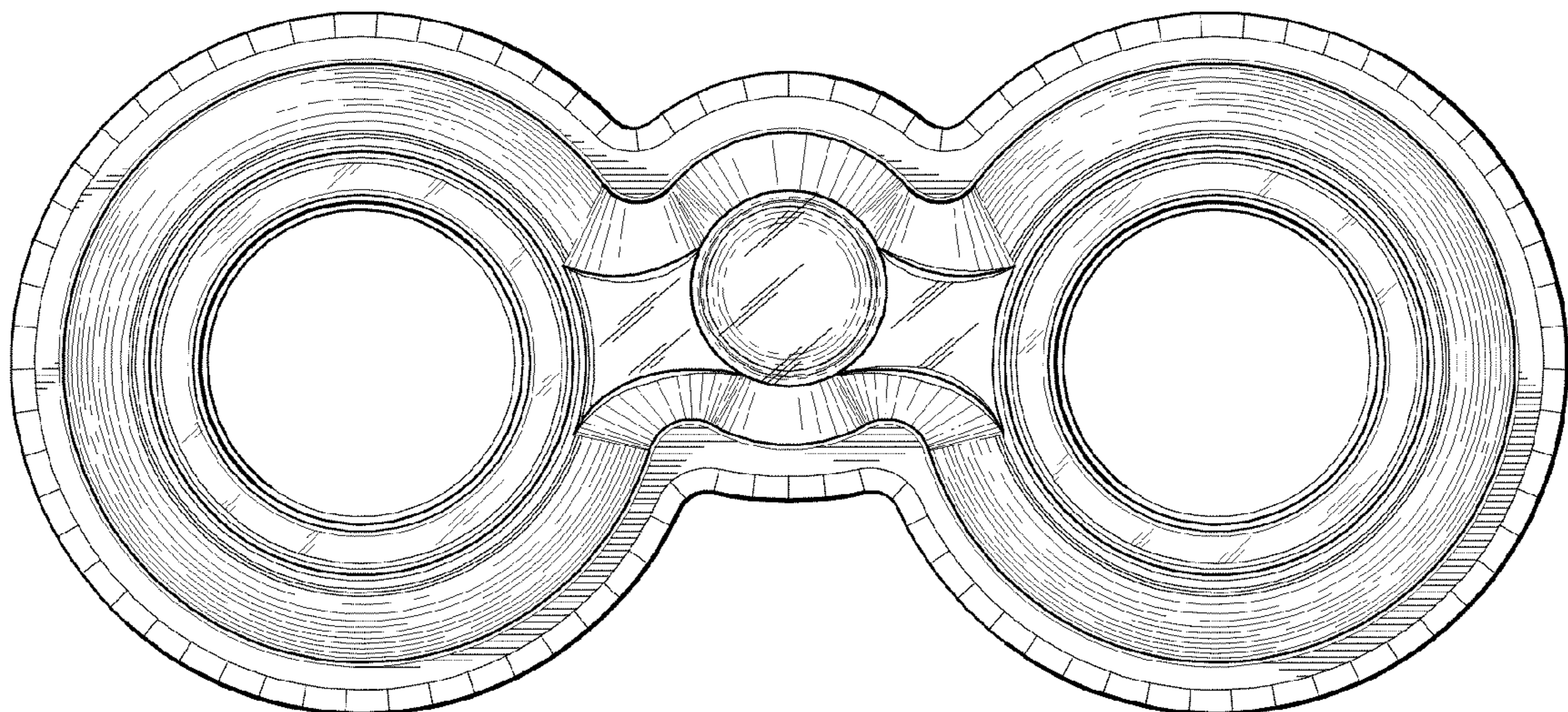


Fig.4.

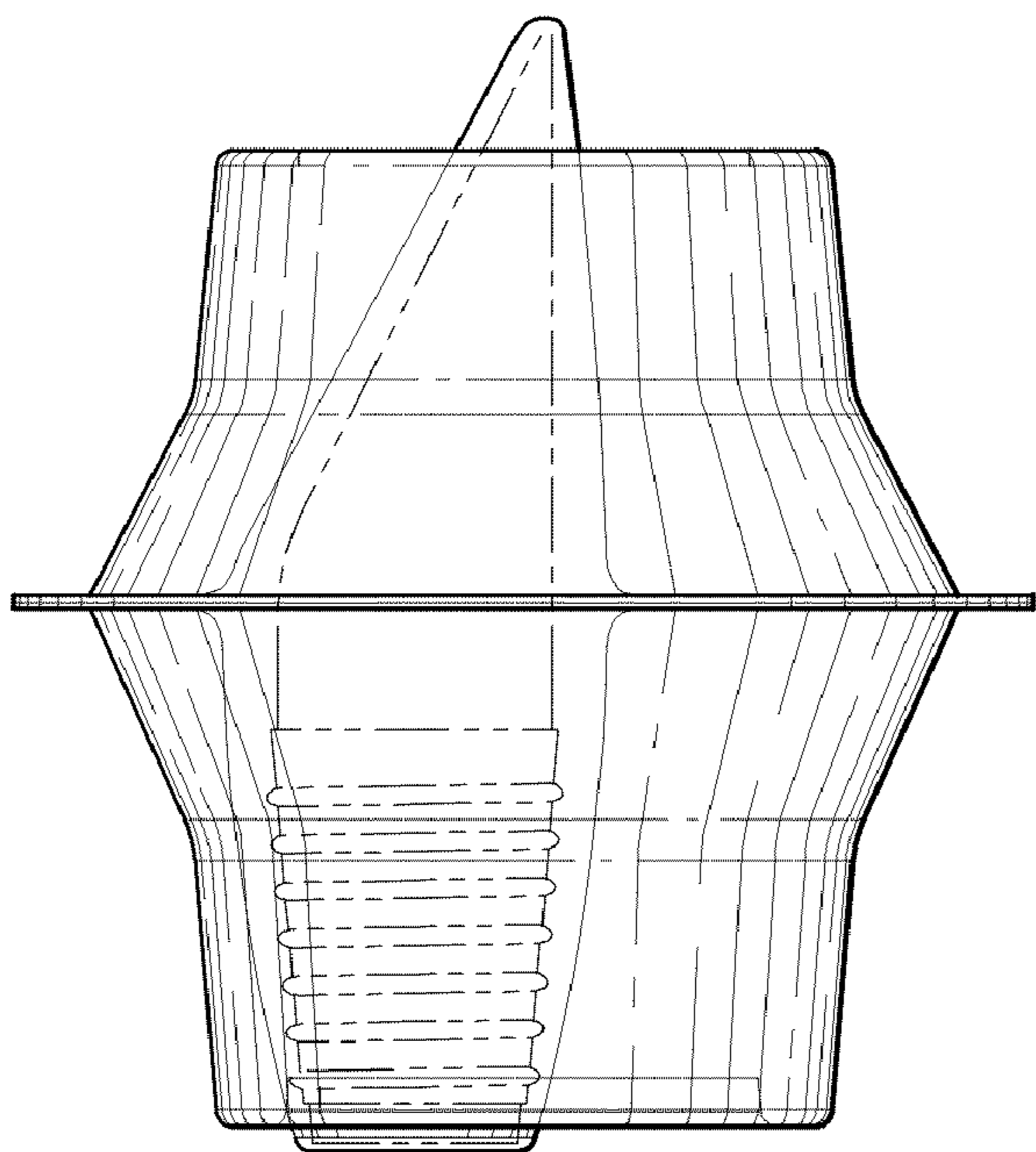


Fig. 5.

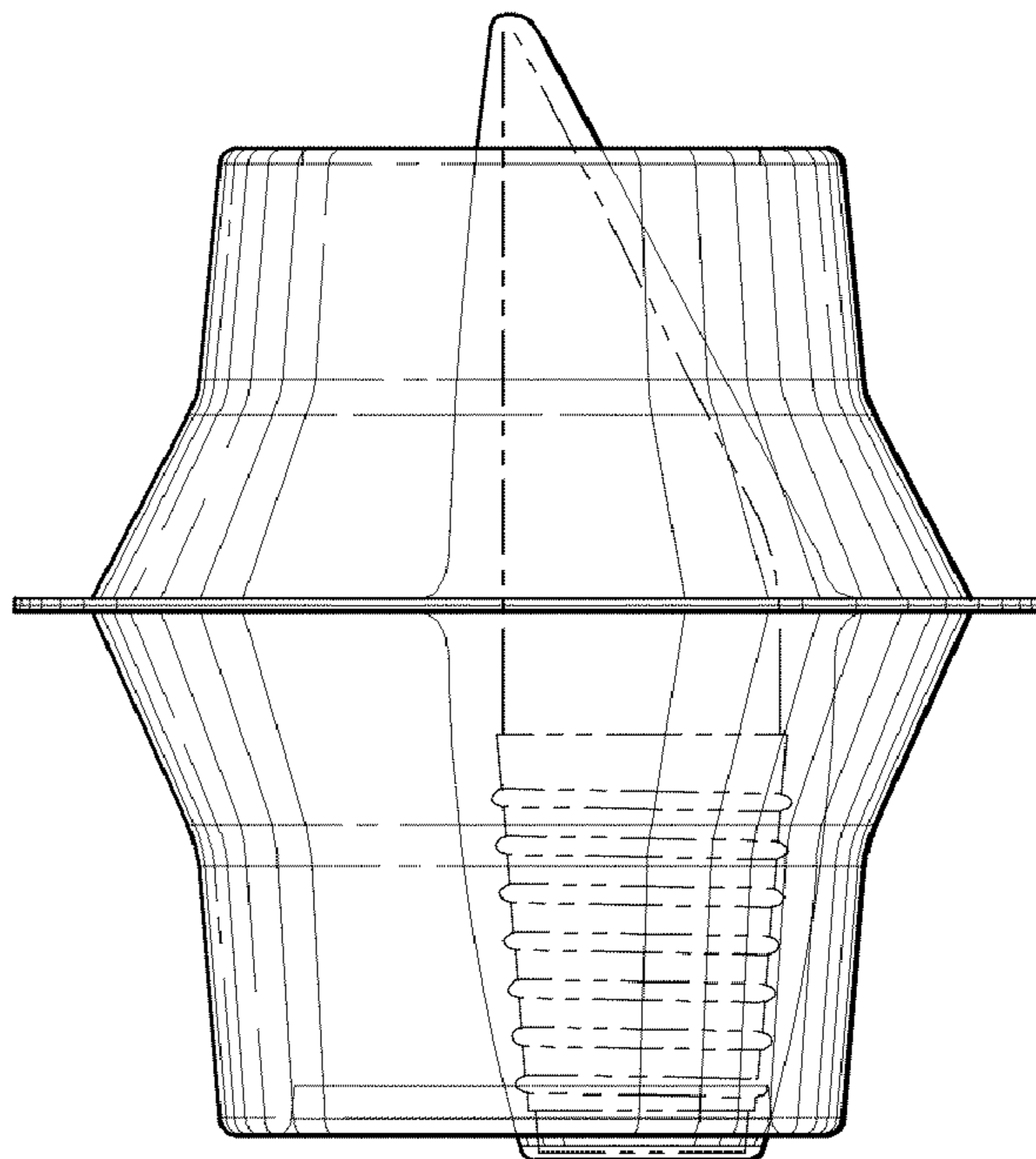


Fig. 6.

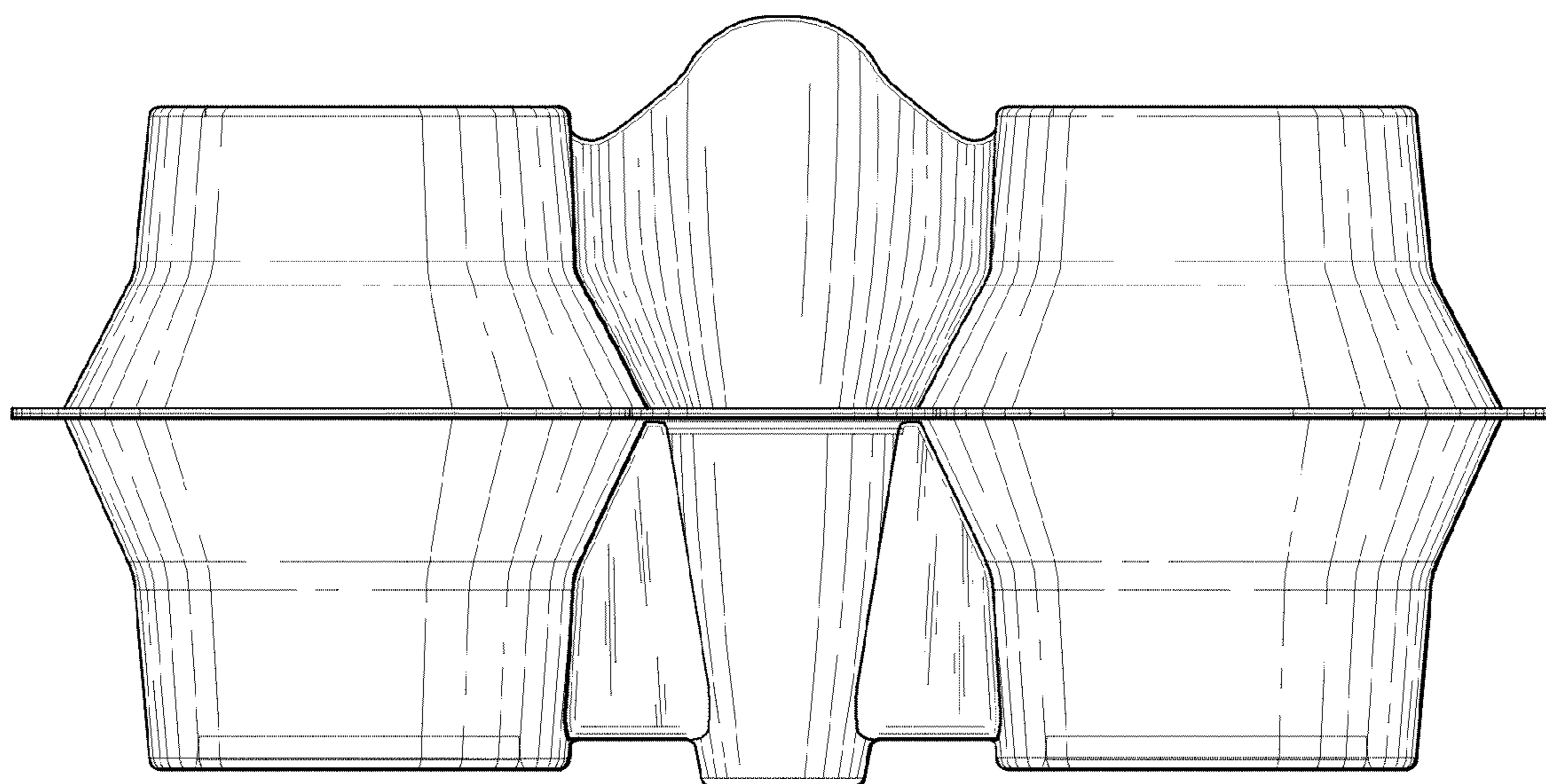


Fig. 7.