



US00D589340S

(12) **United States Design Patent**
Busse et al.

(10) **Patent No.:** **US D589,340 S**
(45) **Date of Patent:** **** Mar. 31, 2009**

(54) **CLAMSHELL PACKAGE**

D454,785 S * 3/2002 Nance D9/424
D461,124 S * 8/2002 Ma D9/432
D498,418 S * 11/2004 Wickenhauser D9/455

(76) Inventors: **Ursula Busse**, Flughafenstrasse 52,
Mörfelden-Walldorf (DE) 64546; **David**
Bezalel, Flughafenstrasse 52,
Mörfelden-Walldorf (DE) 64546

* cited by examiner

(**) Term: **14 Years**

Primary Examiner—Prabhakar Deshmukh

Assistant Examiner—Derrick Holland

(21) Appl. No.: **29/276,012**

(74) *Attorney, Agent, or Firm*—Christensen O'Connor
Johnson Kindness PLLC

(22) Filed: **Jan. 11, 2007**

(57) **CLAIM**

(51) **LOC (9) Cl.** **09-03**

The ornamental design for a clamshell package, as shown and described.

(52) **U.S. Cl.** **D9/424; D9/425**

(58) **Field of Classification Search** D9/414,
D9/418, 424–426, 432, 455, 517, 738; D3/316;
D7/602, 625; 206/139, 150, 155, 168, 769,
206/779, 822; 220/509, 516, 517; 229/103.2
See application file for complete search history.

DESCRIPTION

FIG. 1 is an upper rear right perspective view of a clamshell package showing our new design;

FIG. 2 is a front elevation view thereof;

FIG. 3 is a top plan view thereof;

FIG. 4 is a bottom plan view thereof;

FIG. 5 is a right side elevation view thereof;

FIG. 6 is a left side elevation view thereof; and,

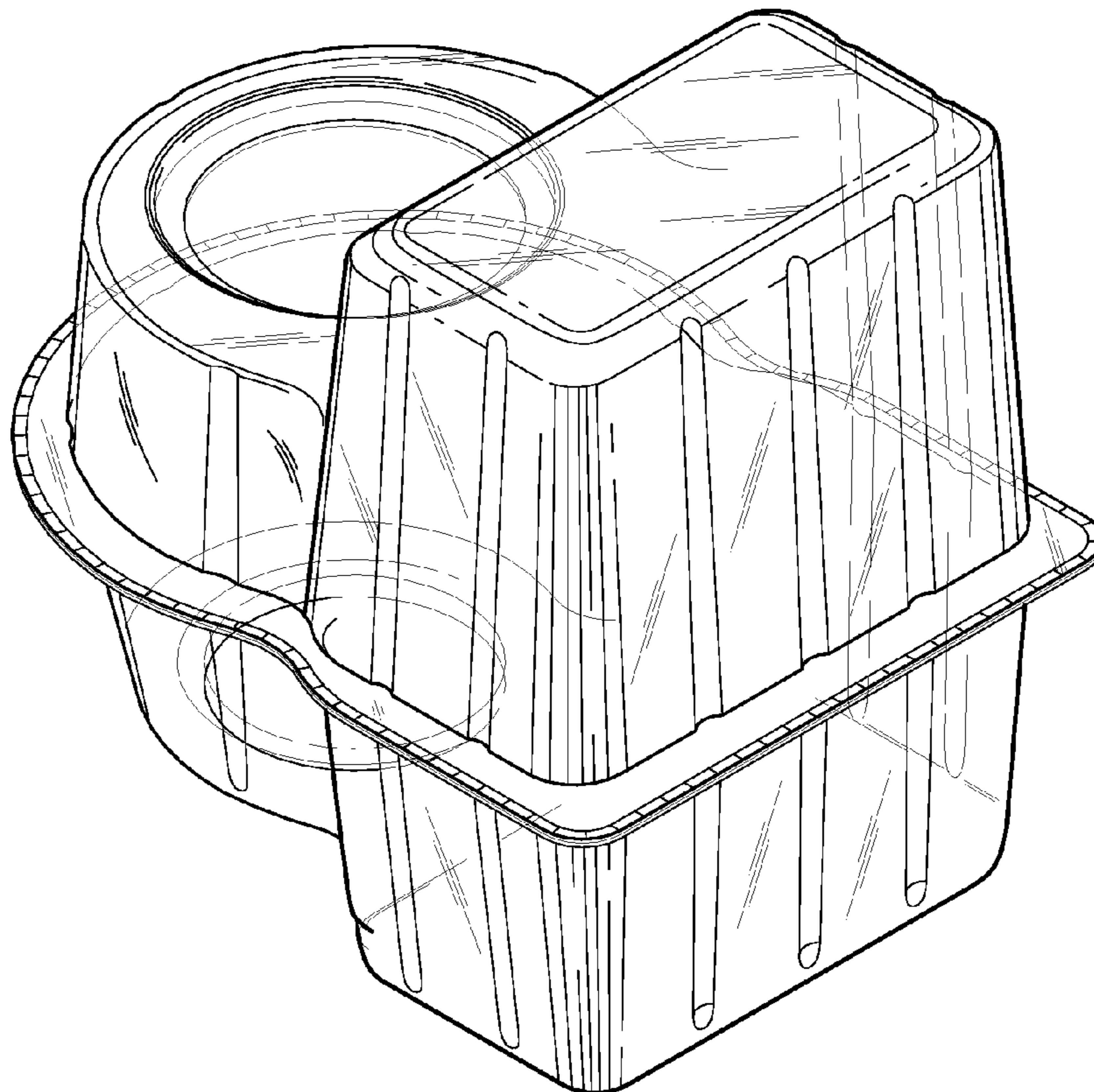
FIG. 7 is a rear elevation view thereof.

(56) **References Cited**

U.S. PATENT DOCUMENTS

2,325,224 A * 7/1943 Bryant 206/446
5,392,945 A * 2/1995 Syrek 220/608
D365,272 S * 12/1995 Krupa et al. D9/425
D366,828 S * 2/1996 Bachand et al. D9/761
D394,987 S * 6/1998 Credle, Jr. D7/625
D428,331 S * 7/2000 MacTavish D9/415

1 Claim, 7 Drawing Sheets



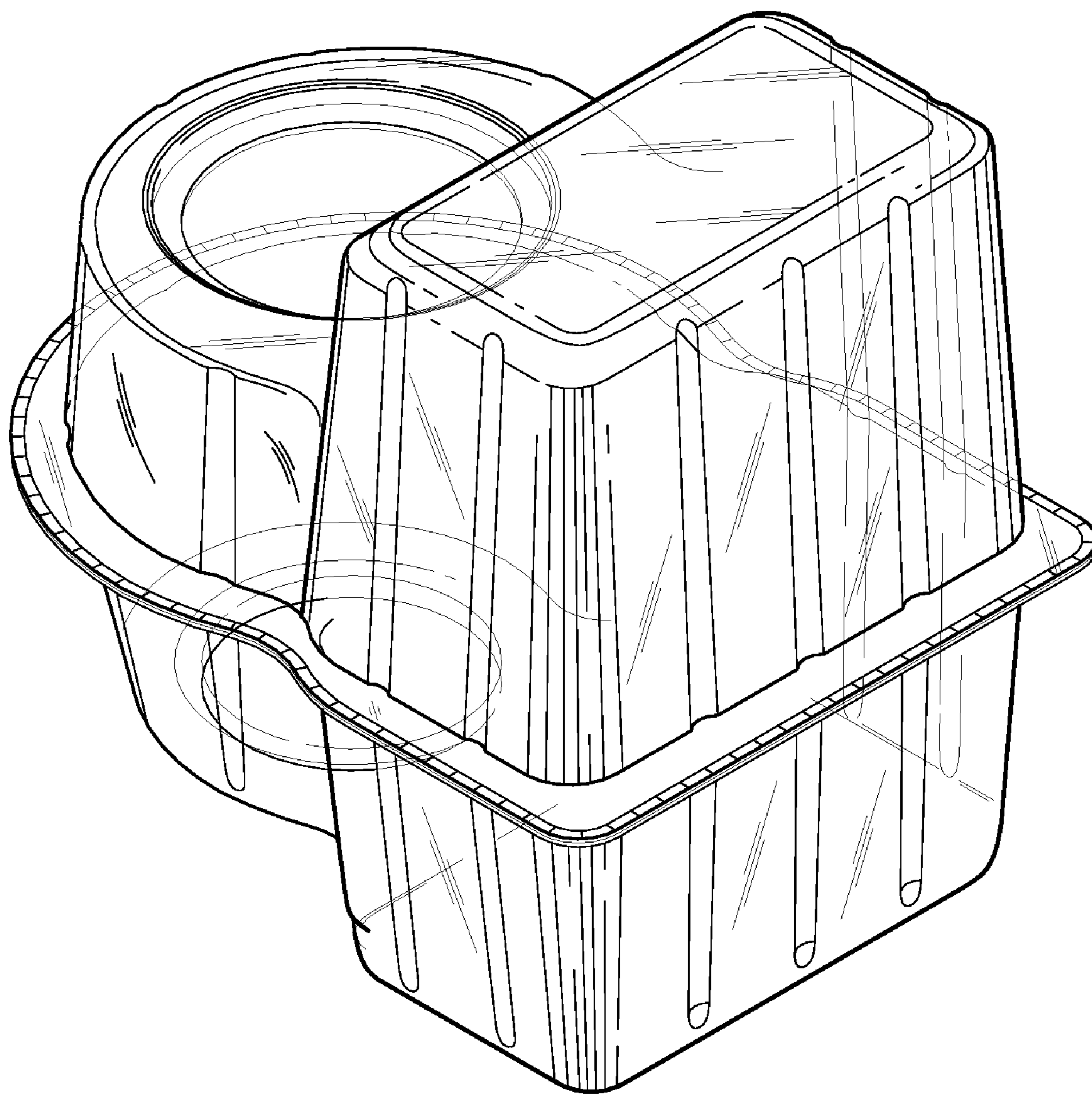


Fig. 1.

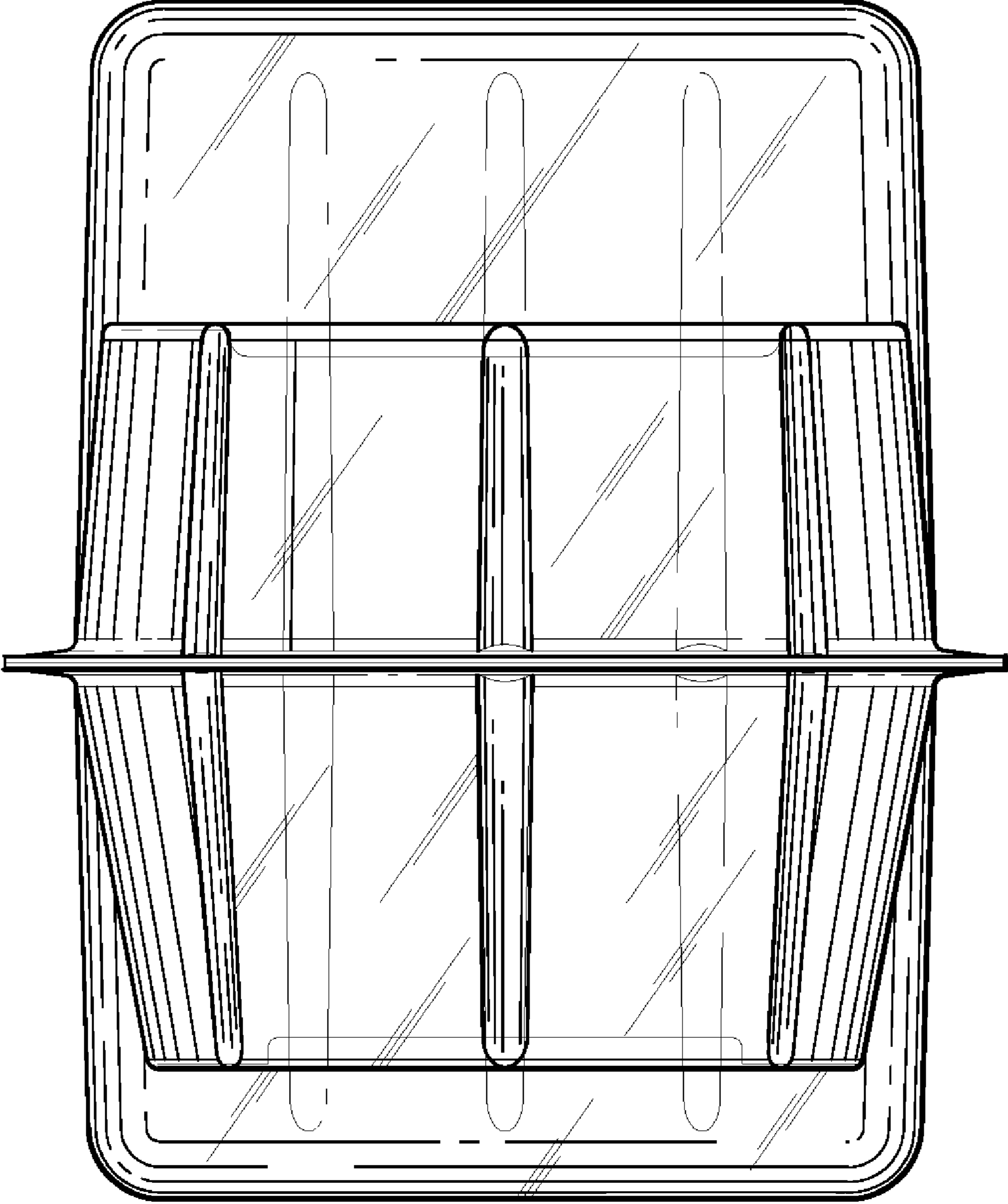


Fig. 2.

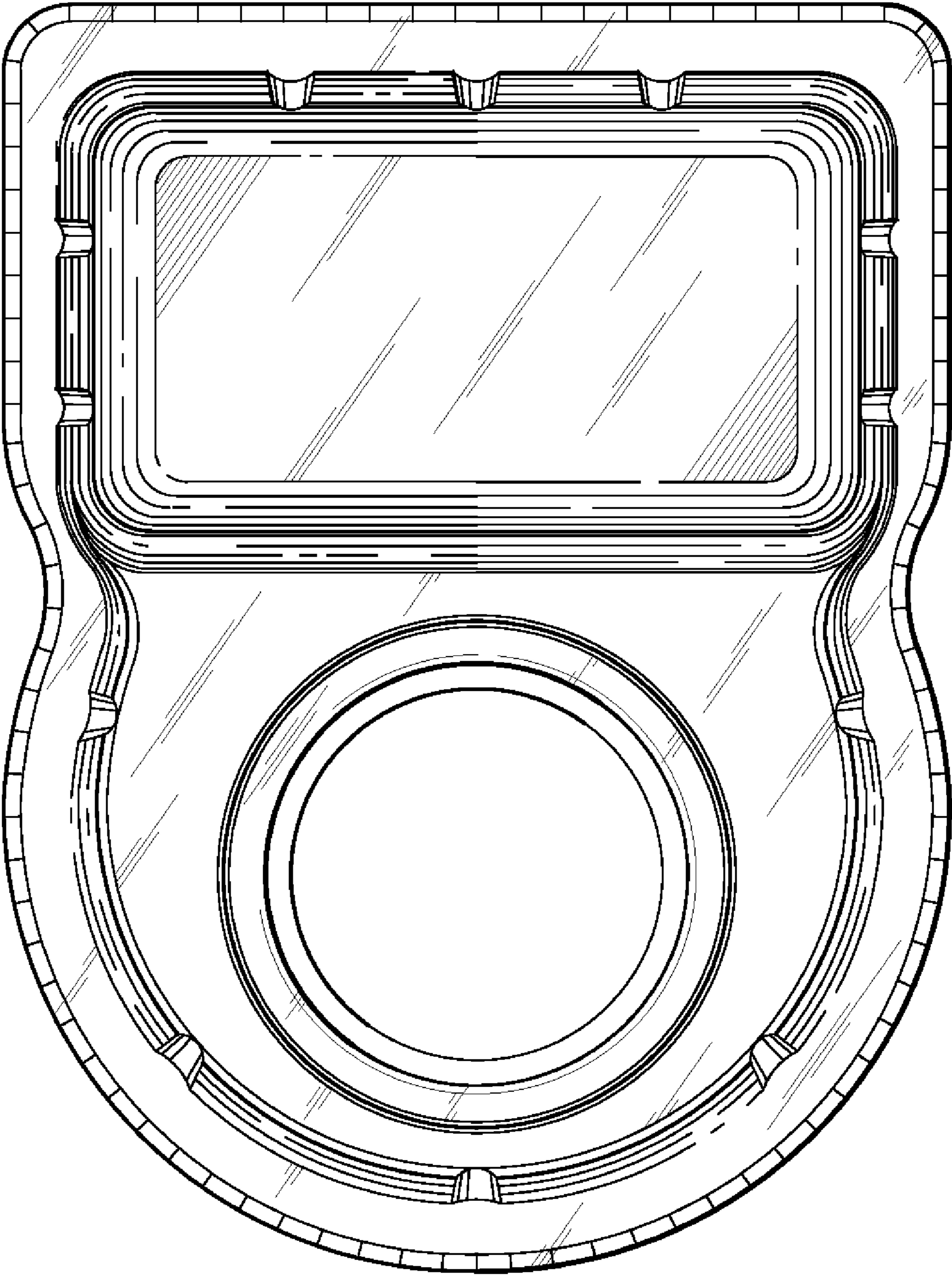


Fig. 3.

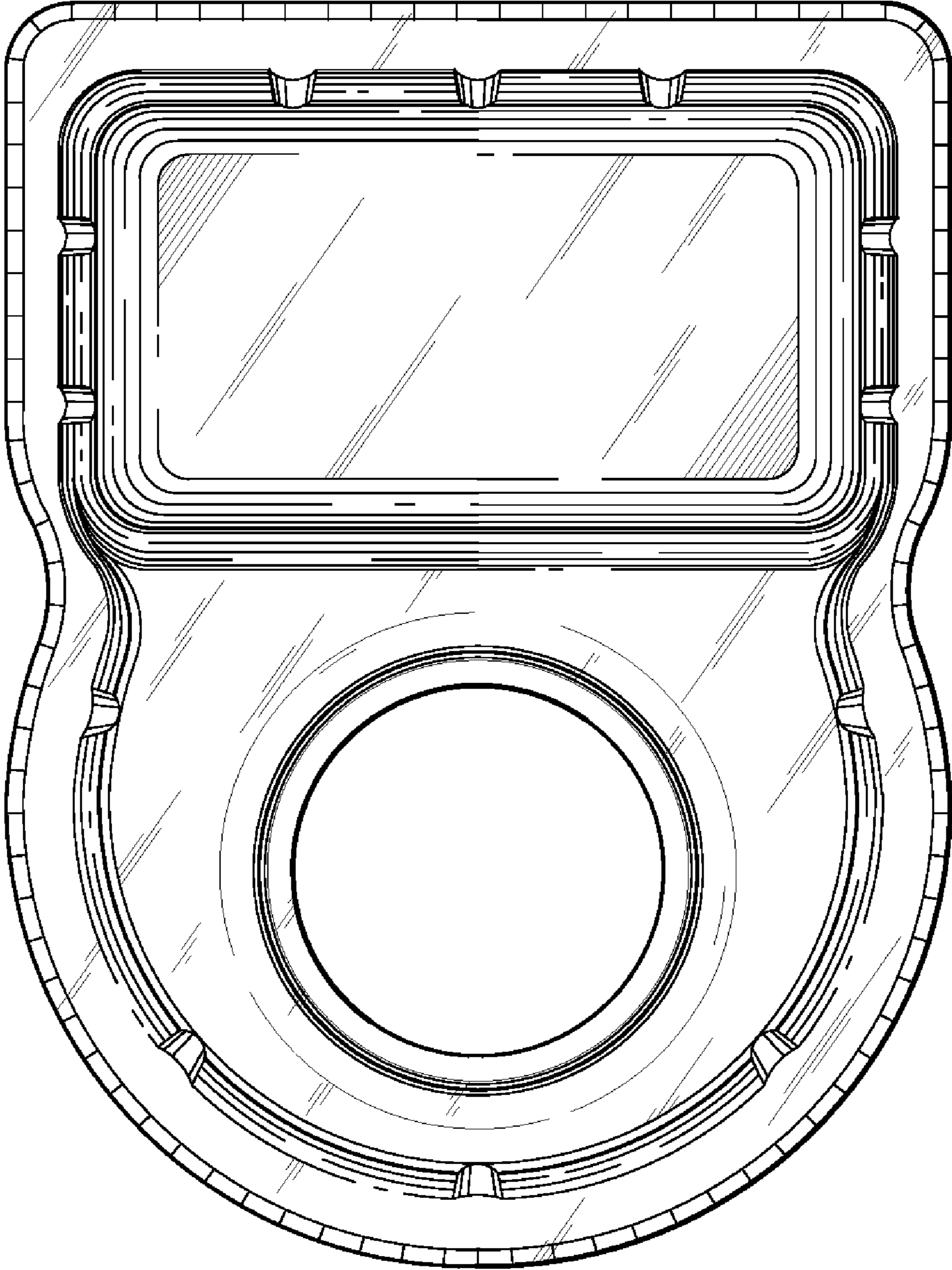


Fig. 4.

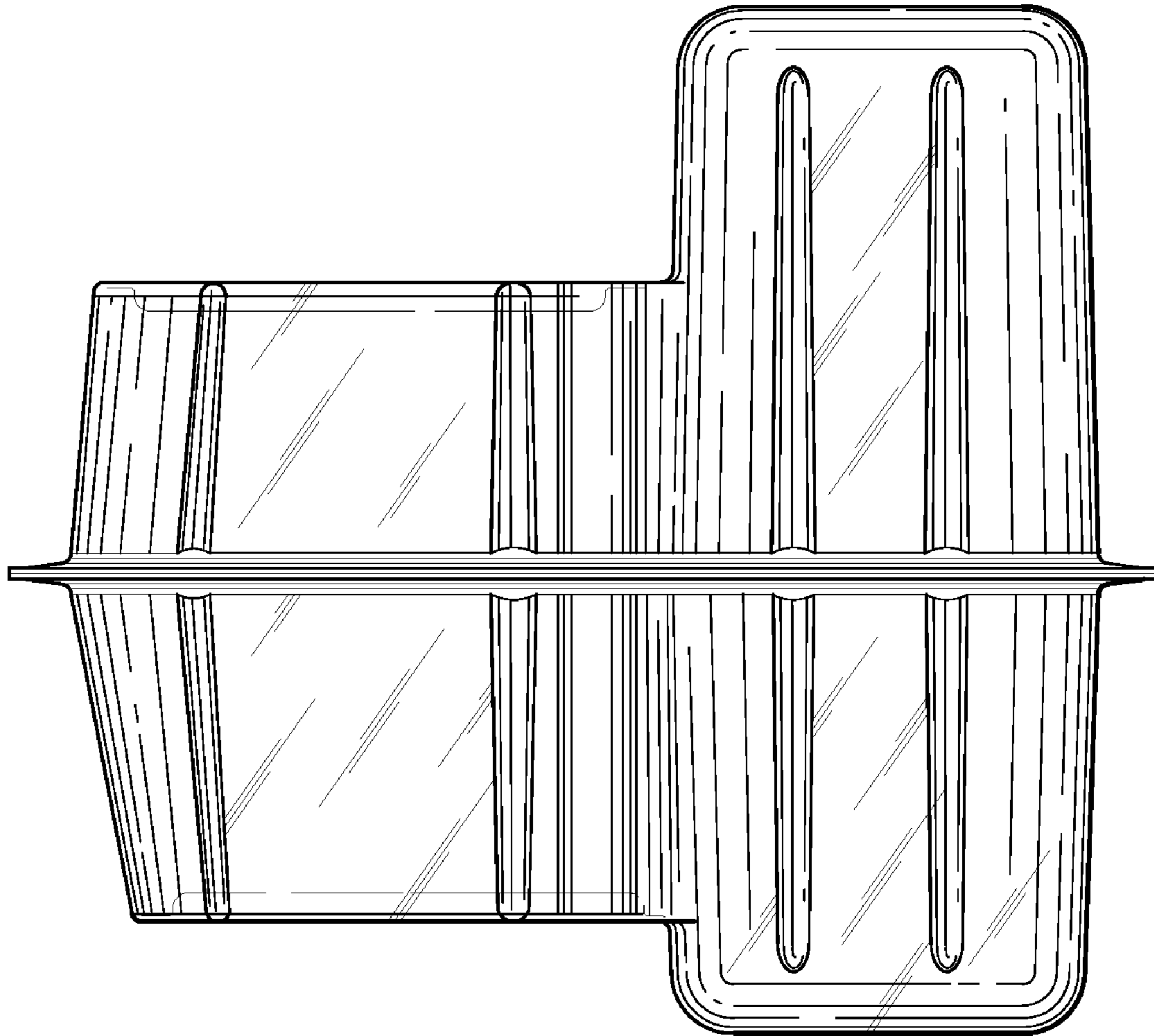


Fig. 5.

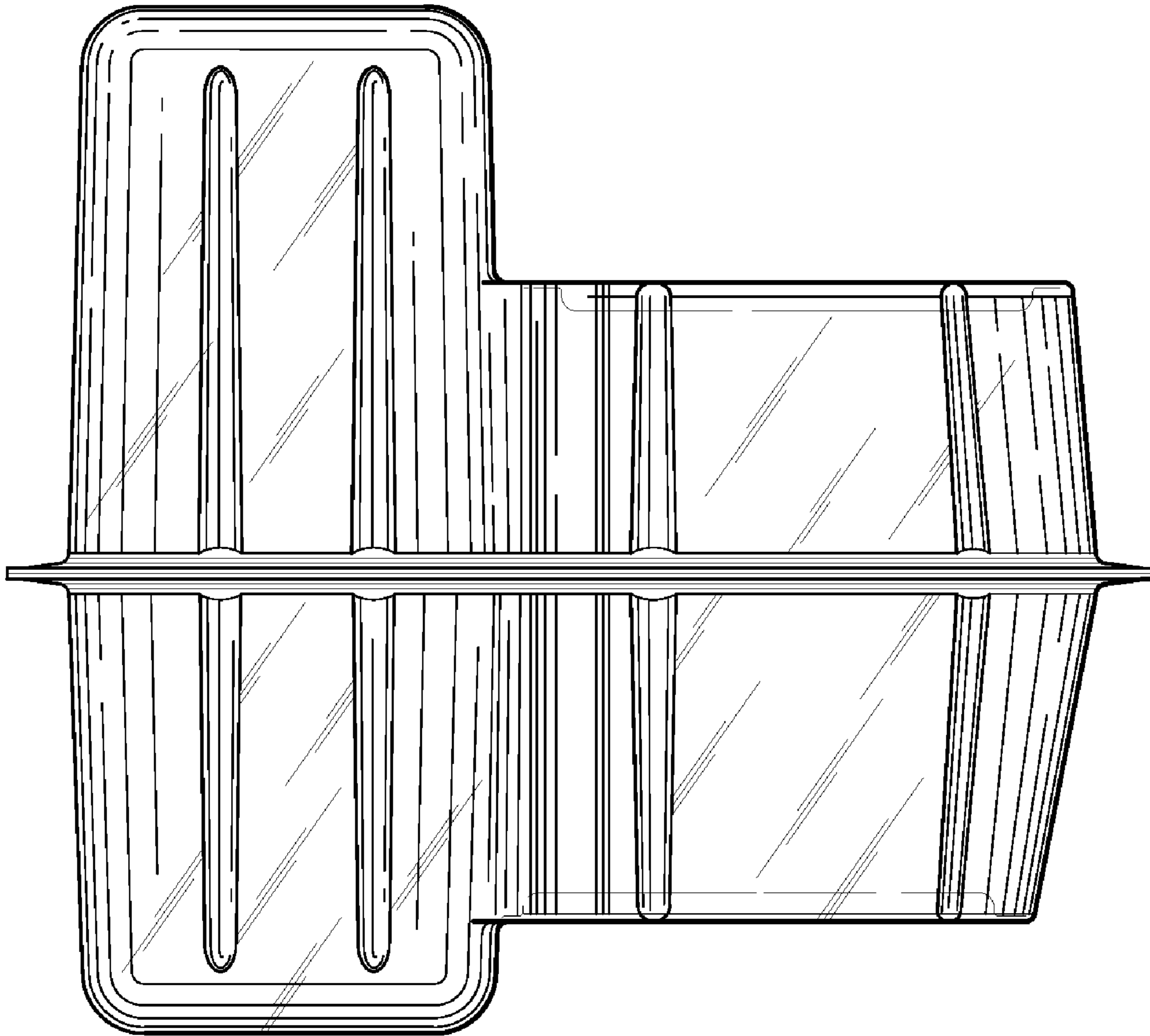


Fig. 6.

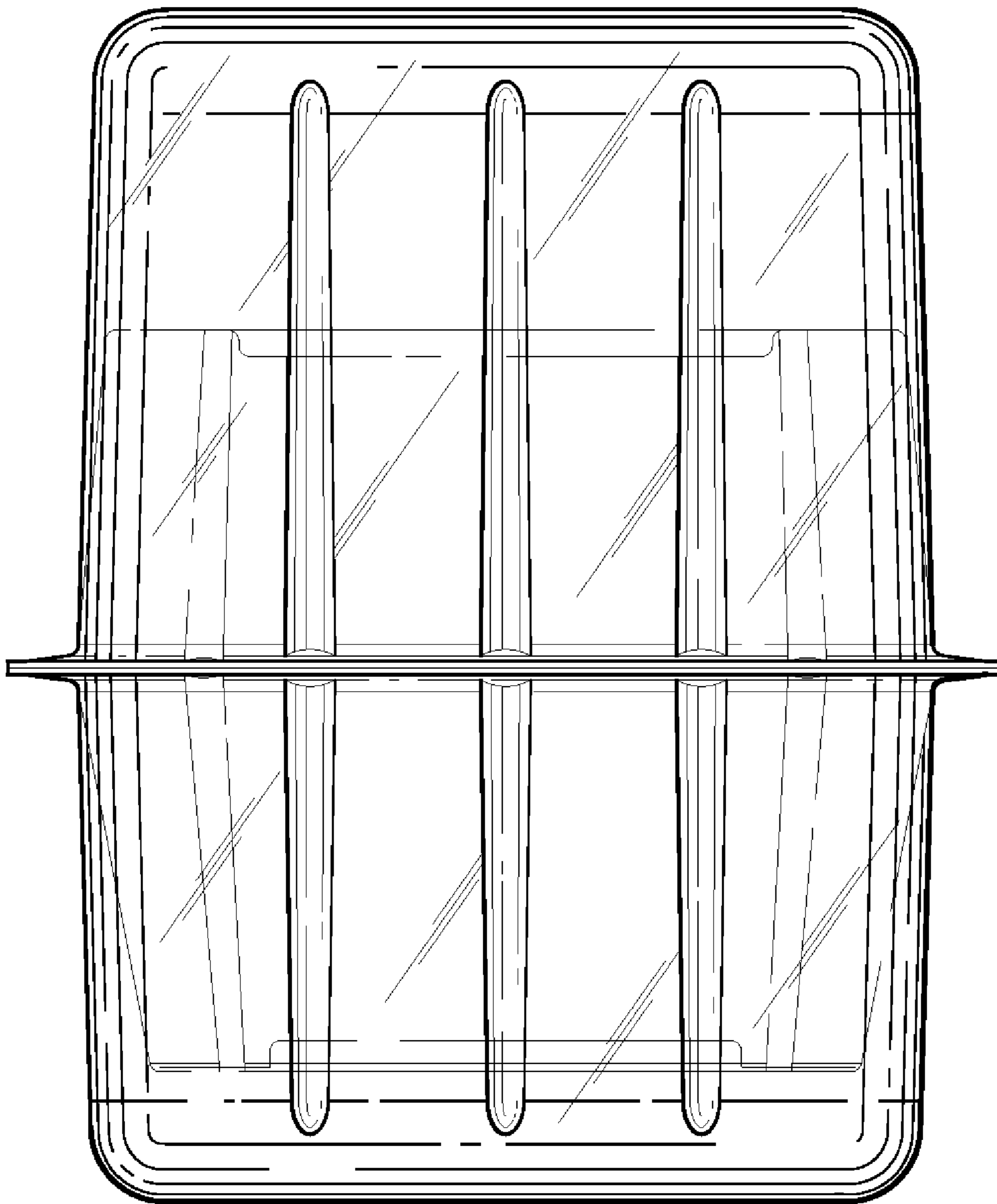


Fig. 7.

UNITED STATES PATENT AND TRADEMARK OFFICE
CERTIFICATE OF CORRECTION

PATENT NO. : Des. 589,340 S
APPLICATION NO. : 29/276012
DATED : March 31, 2009
INVENTOR(S) : U. Busse et al.

Page 1 of 1

It is certified that error appears in the above-identified patent and that said Letters Patent is hereby corrected as shown below:

On the Title Page

Item (30)	Foreign Appl. Priority Data	insert in appropriate order: Item --(30) Foreign Application Priority Data July 11, 2006 (EM) 000558341-0011--
-----------	-----------------------------------	--

Signed and Sealed this

First Day of September, 2009



David J. Kappos
Director of the United States Patent and Trademark Office