



US00D589338S

(12) **United States Design Patent**
Baum

(10) **Patent No.:** **US D589,338 S**
(45) **Date of Patent:** **** Mar. 31, 2009**

(54) **TIE DOWN CLIP**

(76) **Inventor:** **John Baum**, 44128 Nisqually Ridge Dr.
East, Eatonville, WA (US) 98328

(**) **Term:** **14 Years**

(21) **Appl. No.:** **29/294,405**

(22) **Filed:** **Jan. 9, 2008**

(51) **LOC (9) Cl.** **08-08**

(52) **U.S. Cl.** **D8/395**

(58) **Field of Classification Search** D8/394-396,
D8/72; D19/56, 65; 24/67.3; D32/60-64
See application file for complete search history.

(56) **References Cited**

U.S. PATENT DOCUMENTS

3,914,828	A *	10/1975	Noda	24/504
4,005,510	A *	2/1977	Noda	24/504
4,141,119	A *	2/1979	Nodo	24/504
4,959,892	A *	10/1990	Wang	24/510
5,148,581	A *	9/1992	Hartmann	24/351
6,357,089	B1 *	3/2002	Koguchi et al.	24/536
6,516,500	B2 *	2/2003	Ogino et al.	24/504
6,612,000	B2 *	9/2003	Housley	24/510

D497,183	S *	10/2004	Chiu	D19/65
7,174,607	B1 *	2/2007	Buettell	24/504
D551,069	S *	9/2007	Wu	D8/395

* cited by examiner

Primary Examiner—T. Chase Nelson
Assistant Examiner—John Windmuller
(74) *Attorney, Agent, or Firm*—Dean A. Craine

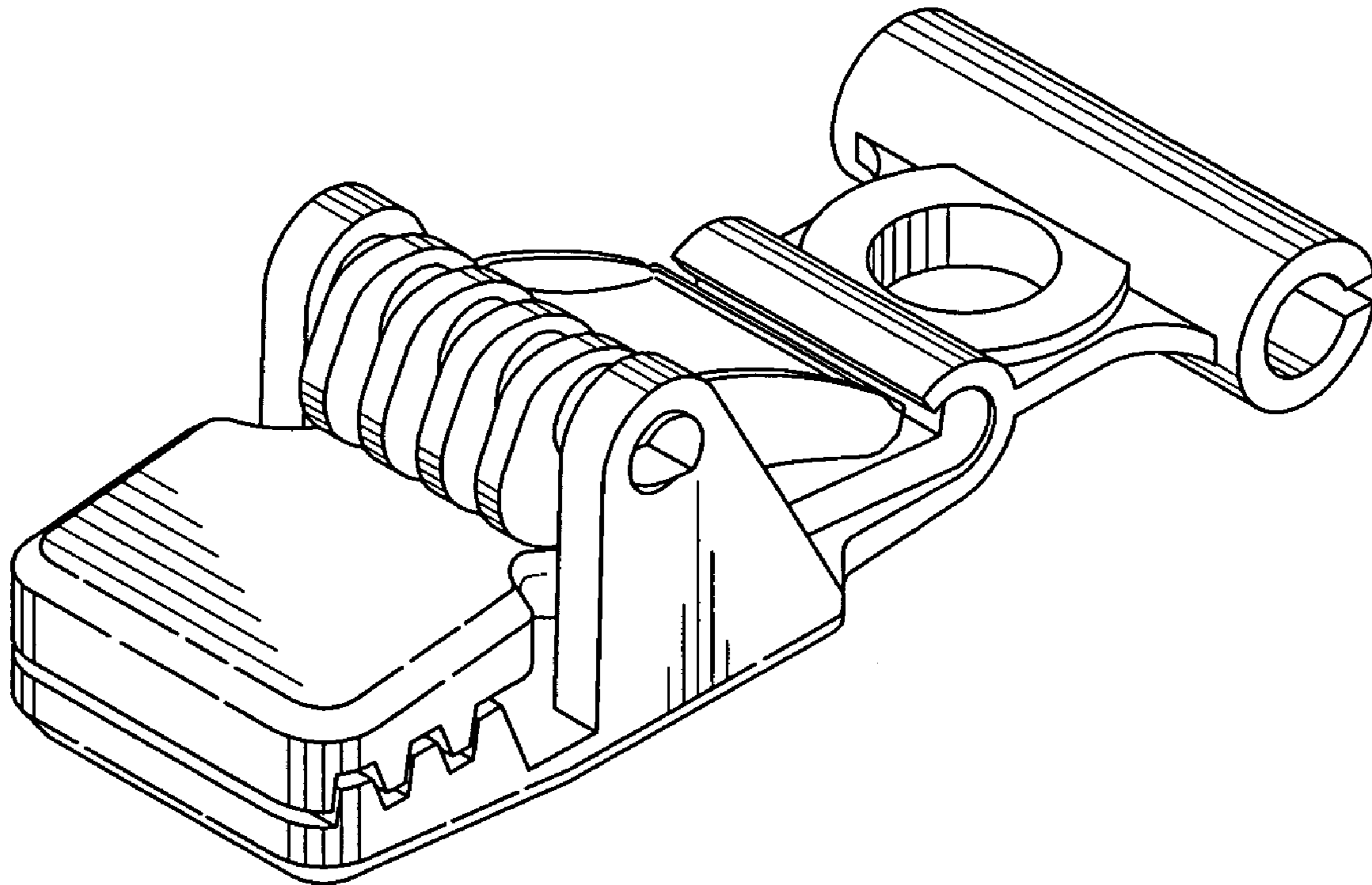
(57) **CLAIM**

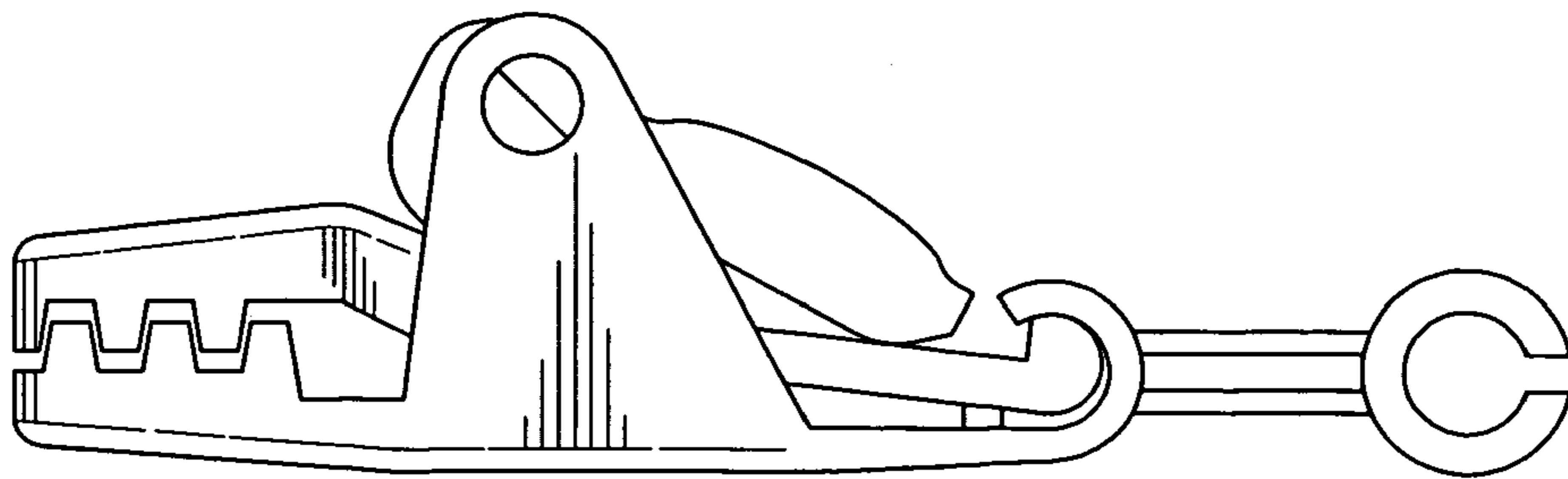
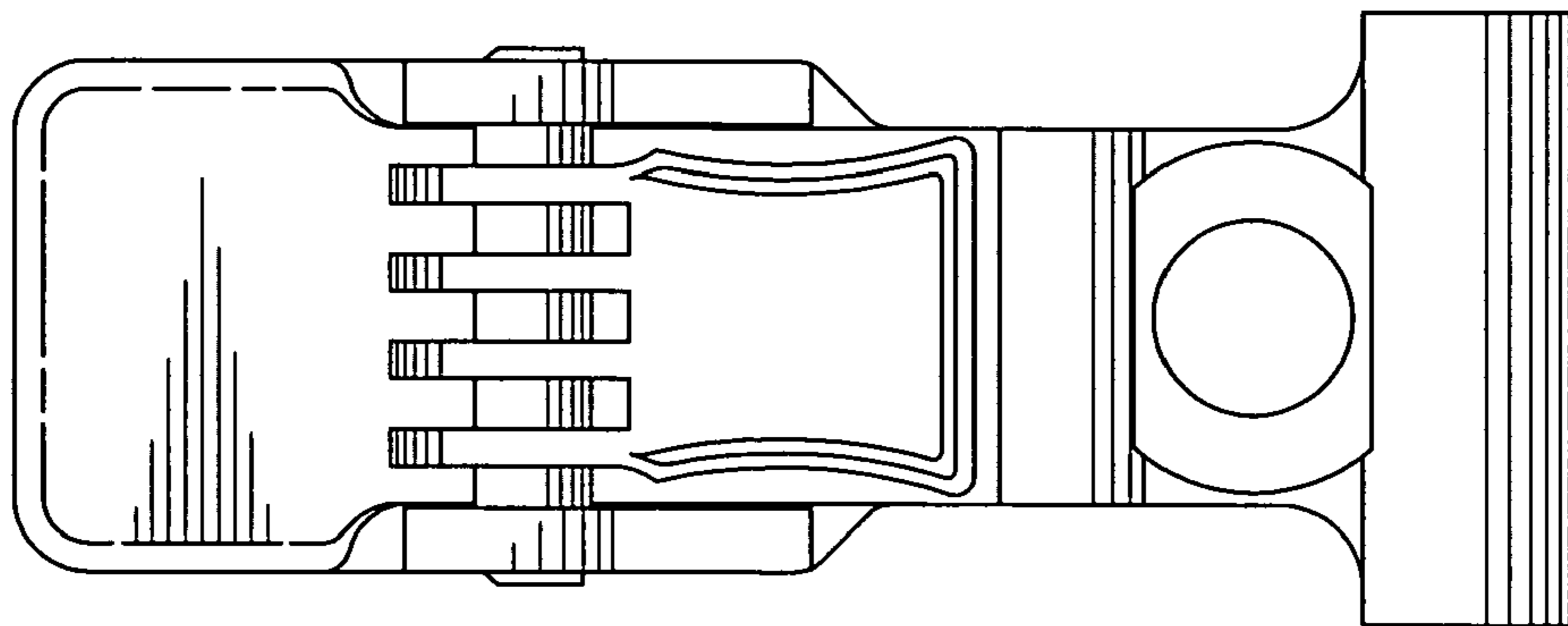
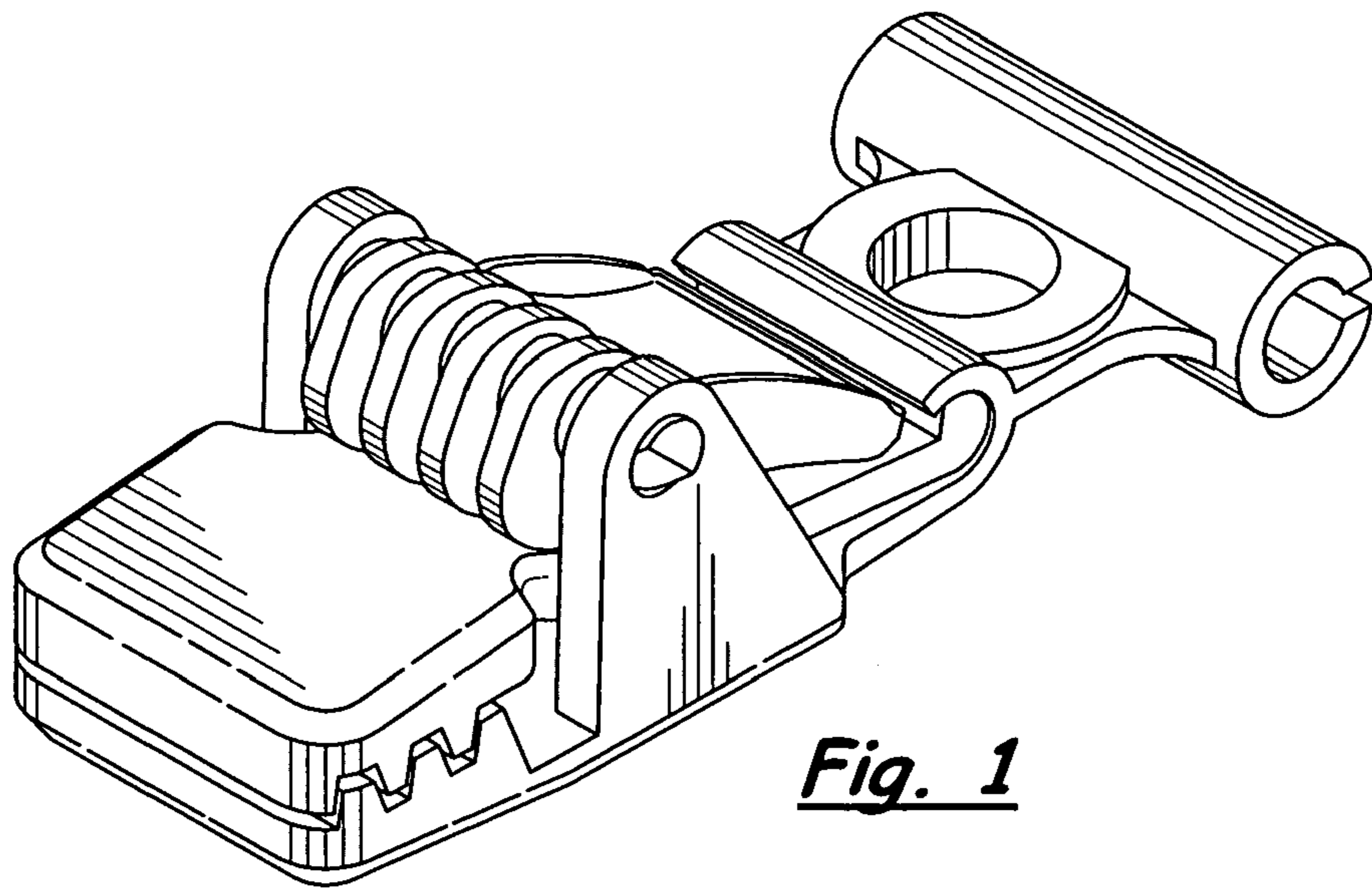
The ornamental design for a tie down clip, as shown and described.

DESCRIPTION

- FIG. 1 is a perspective view of the tie down clip.
- FIG. 2 is a top plan view of the invention.
- FIG. 3 is a right side elevational view of the invention.
- FIG. 4 is a left side elevational view of the invention.
- FIG. 5 is a bottom plan view of the invention.
- FIG. 6 is a front plan view of the invention; and,
- FIG. 7 is a rear plan view of the invention.

1 Claim, 2 Drawing Sheets





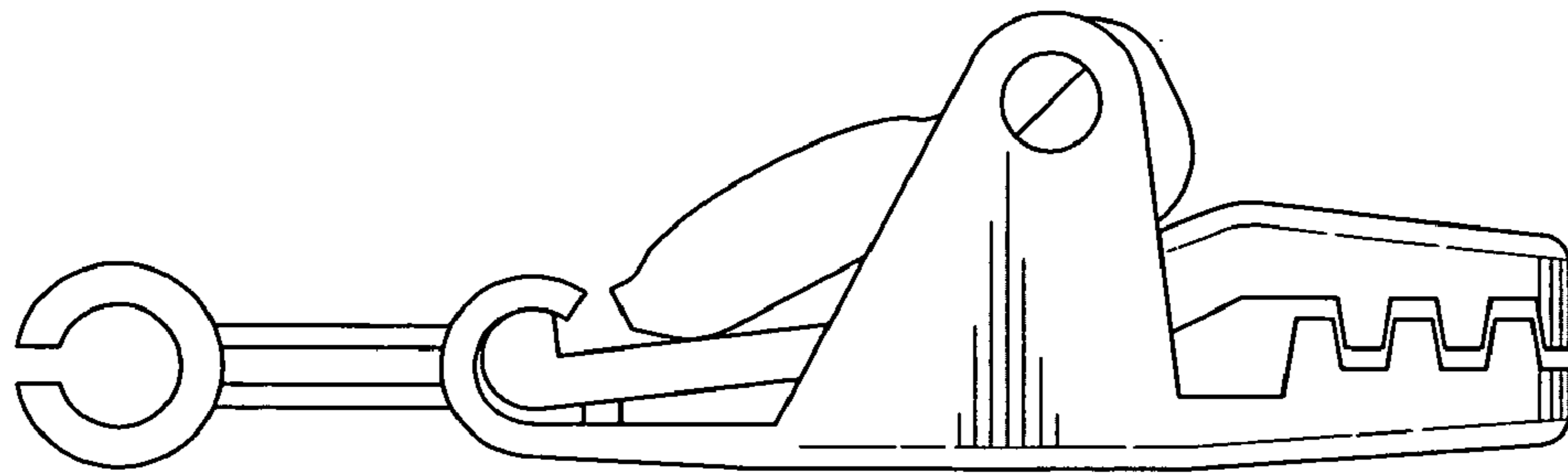


Fig. 4

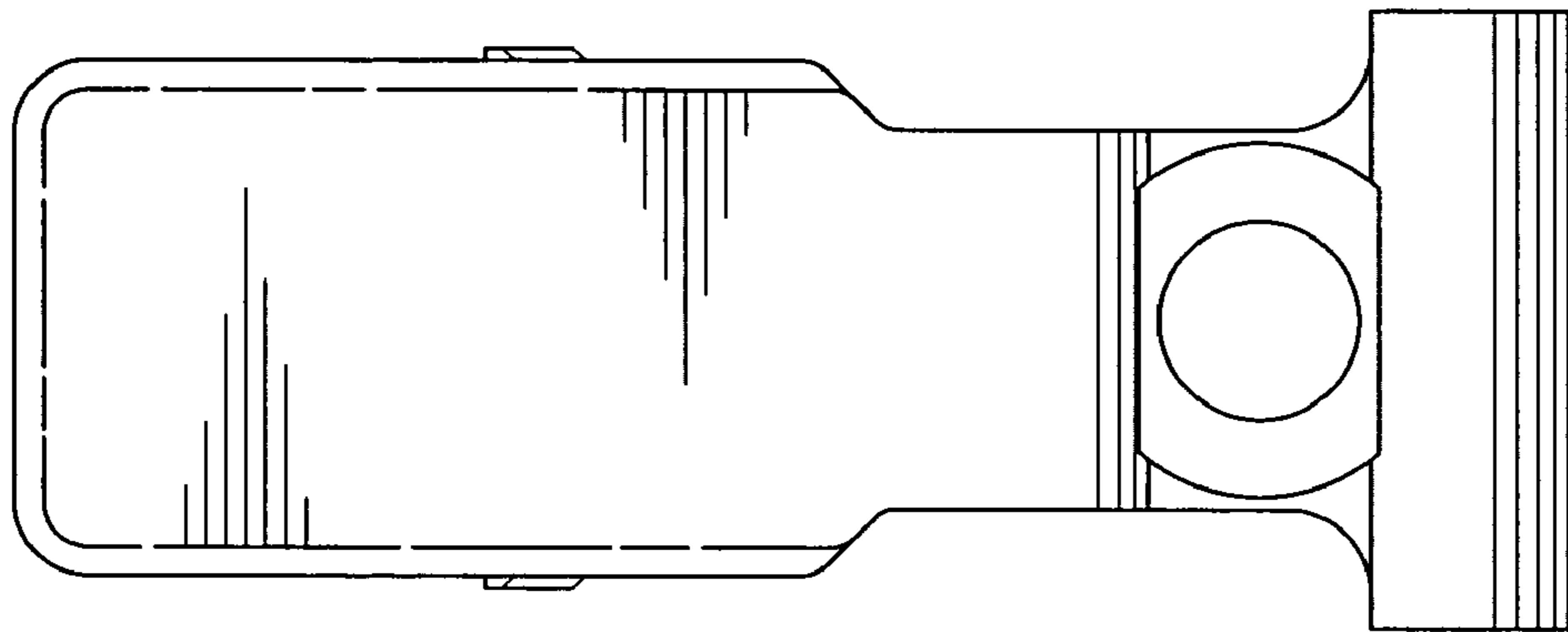


Fig. 5

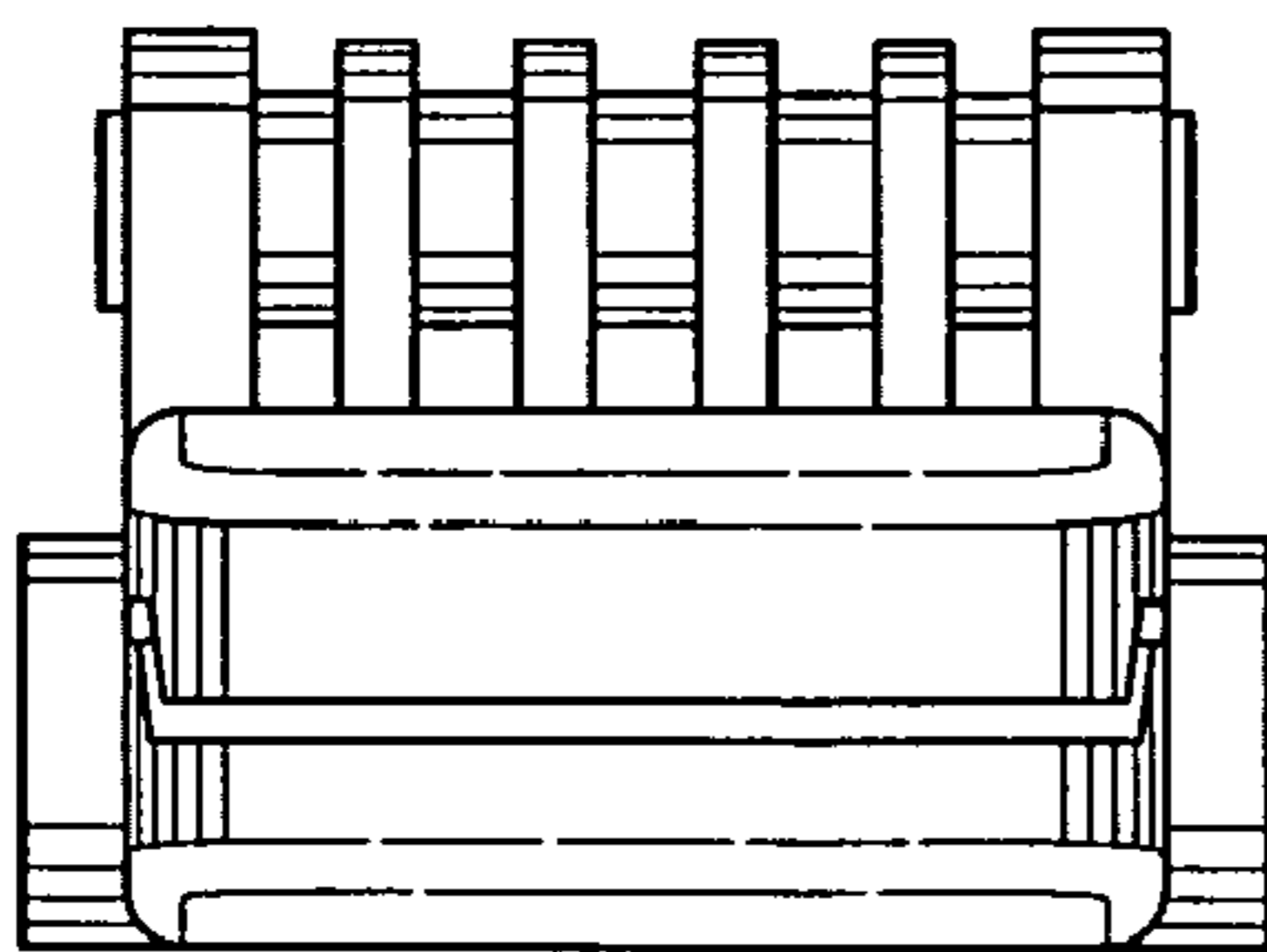


Fig. 6

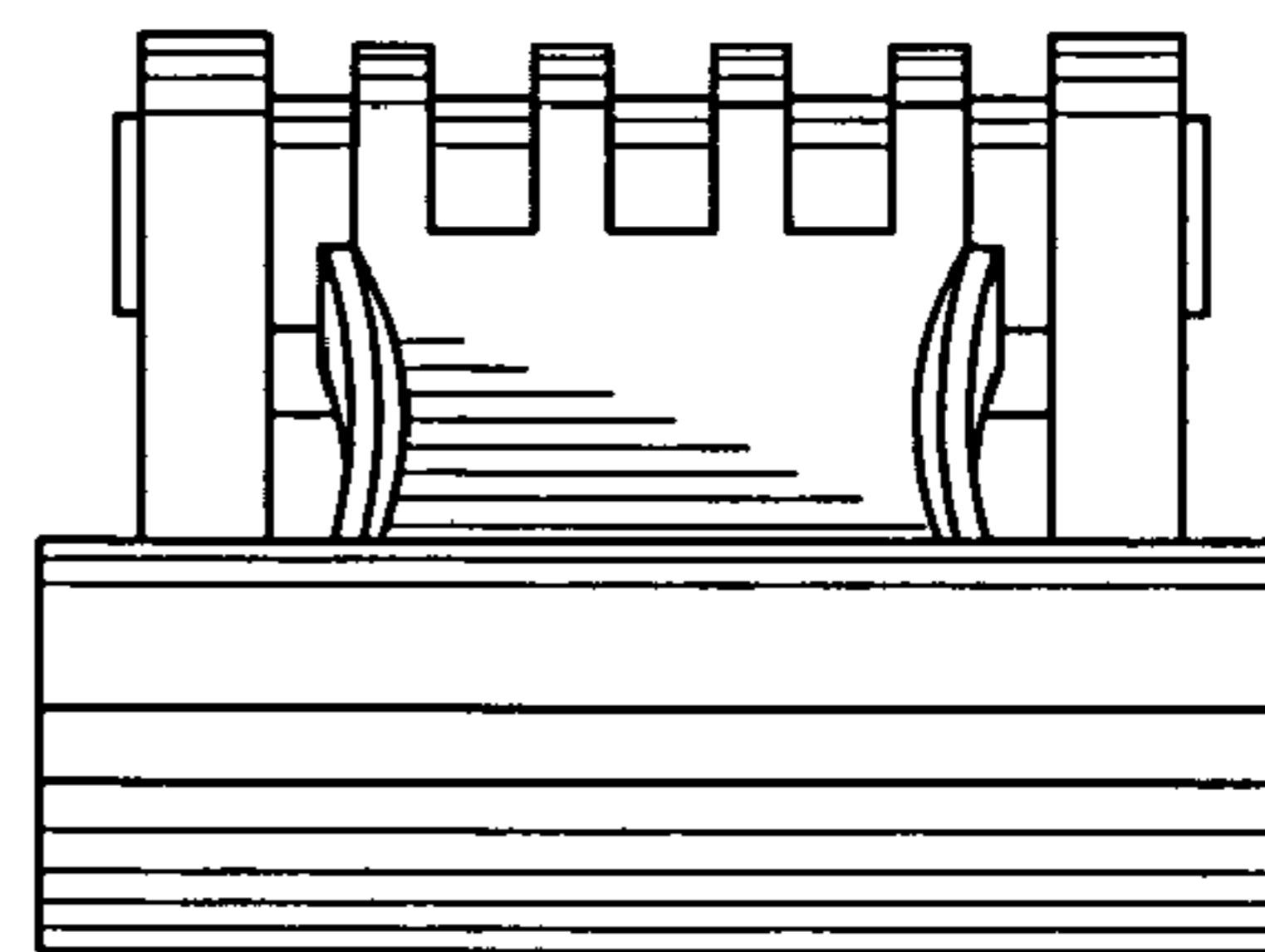


Fig. 7