

US00D589335S

(12) **United States Design Patent**
Horsch et al.

(10) **Patent No.:** **US D589,335 S**
(45) **Date of Patent:** **** Mar. 31, 2009**

(54) **ROCK BOLT**

(75) Inventors: **John Horsch**, New South Wales (AU);
Steven Weaver, New South Wales (AU)

(73) Assignee: **Sandvik Intellectual Property AB**,
Sandviken (SE)

(**) Term: **14 Years**

(21) Appl. No.: **29/300,170**

(22) Filed: **Feb. 28, 2008**

(30) **Foreign Application Priority Data**

Aug. 31, 2007 (AU) 19612/2007

(51) **LOC (9) Cl.** **08-08**

(52) **U.S. Cl.** **D8/387**

(58) **Field of Classification Search** D8/387,
D8/383; 411/387.1, 387.8, 387.3, 144, 378,
411/380, 403, 429, 24, 26; 84/421, 327;
24/682.1, 656; 224/257, 271, 910; 248/188.4,
248/188.9, 354.3; 405/259.1, 259.3, 259.5
See application file for complete search history.

(56) **References Cited**

U.S. PATENT DOCUMENTS

3,227,031 A * 1/1966 Williams 411/26
3,358,549 A * 12/1967 Lerich et al. 411/24
3,379,019 A * 4/1968 Williams 405/259.3

4,100,748 A * 7/1978 Hansen 405/259.3
4,619,559 A * 10/1986 Norris 405/259.1
D336,388 S * 6/1993 Reid D6/411
D354,905 S * 1/1995 Fitzmyers et al. D8/387
5,775,850 A * 7/1998 Gale et al. 405/259.5
6,984,091 B2 * 1/2006 Maltby 405/259.1
7,318,689 B2 * 1/2008 Kanflod et al. 405/259.5
7,445,406 B2 * 11/2008 Ortlepp 405/259.1
2007/0269274 A1 * 11/2007 Seedsman 405/259.1
2007/0292231 A1 * 12/2007 Boot 411/82
2008/0038068 A1 * 2/2008 Craig 405/259.3

* cited by examiner

Primary Examiner—Holly H Baynham

Assistant Examiner—Sheryl Lane

(74) *Attorney, Agent, or Firm*—Drinker Biddle & Reath LLP

(57) **CLAIM**

The ornamental design for a rock bolt, as shown and described.

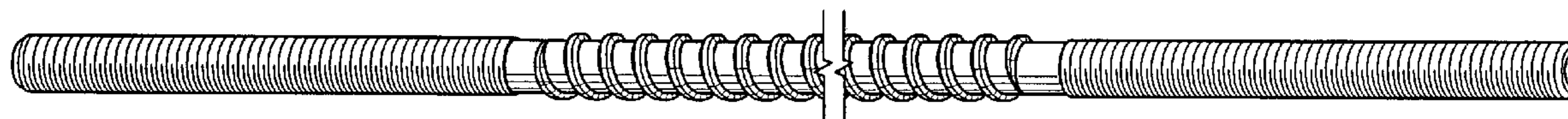
DESCRIPTION

FIG. 1 is a perspective view of the rock bolt according to the present invention, shown broken away to indicate an indeterminate length.

FIG. 2 is a top plan view of the rock bolt of FIG. 1 according to the present invention; and,

FIG. 3 is a perspective view of a portion of the rock bolt according to the present invention.

1 Claim, 2 Drawing Sheets



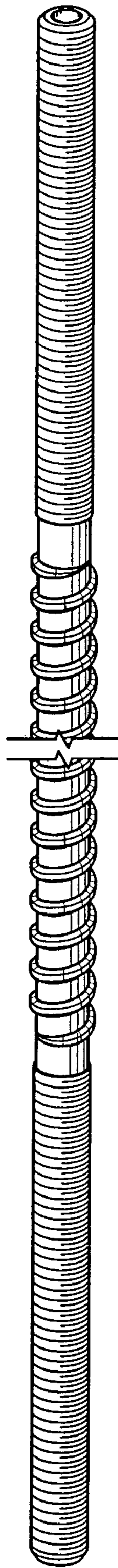


FIGURE 1



FIGURE 2

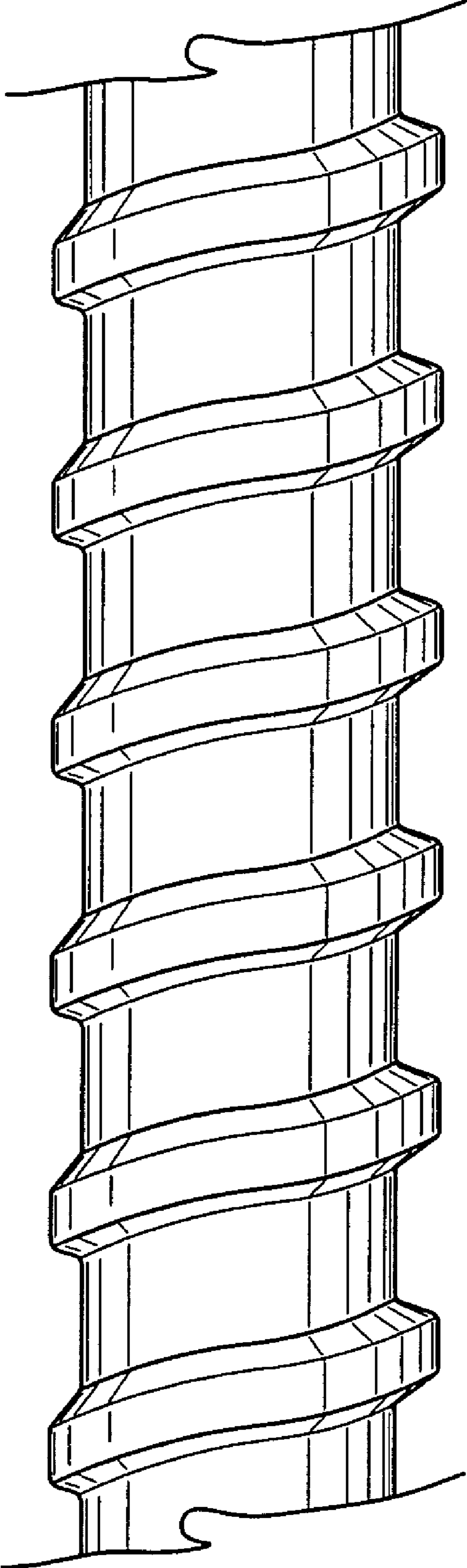


FIGURE 3