



US00D589334S

(12) **United States Design Patent**
Hotchkiss, III

(10) **Patent No.:** **US D589,334 S**
(45) **Date of Patent:** **** Mar. 31, 2009**

(54) **CLIP FOR ARCHITECTURAL ELEMENT**

(75) **Inventor:** **Wesley Hotchkiss, III**, Auburn, CA (US)

(73) **Assignee:** **United States Gypsum Company**, Chicago, IL (US)

(**) **Term:** **14 Years**

(21) **Appl. No.:** **29/318,073**

(22) **Filed:** **May 13, 2008**

(51) **LOC (9) Cl.** **08-08**

(52) **U.S. Cl.** **D8/382**

(58) **Field of Classification Search** D8/382,
D8/354, 349; 52/489.2, 514

See application file for complete search history.

(56) **References Cited**

U.S. PATENT DOCUMENTS

1,276,894	A	8/1918	Flanders	
1,373,036	A *	3/1921	Upson	411/466
1,396,764	A	11/1921	Lancaster	
1,399,023	A	12/1921	Murray	
3,376,681	A	4/1968	Demaison	
3,512,327	A	5/1970	La Padura	
4,448,007	A *	5/1984	Adams	52/489.2
4,641,474	A *	2/1987	Cannarsa	52/514
5,024,039	A *	6/1991	Karhumaki	52/489.2
D323,105	S *	1/1992	Paul	D8/382

5,249,405	A *	10/1993	Miller	52/712
5,265,396	A	11/1993	Ammimoto	
D368,650	S *	4/1996	Wastermark	D8/390
5,974,762	A	11/1999	Rodgers	
6,209,277	B1 *	4/2001	DiGate	52/514
2004/0182026	A1	9/2004	Clarke	
2007/0130860	A1	6/2007	Paquette	

* cited by examiner

Primary Examiner—Holly H Baynham

Assistant Examiner—Sheryl Lane

(74) *Attorney, Agent, or Firm*—Pradip K. Sahu; David F. Janci; Philip T. Petti

(57) **CLAIM**

The ornamental design for a clip for architectural element, as shown and described.

DESCRIPTION

FIG. 1 is a top perspective view of the present clip for architectural element;

FIG. 2 is a top view of same;

FIG. 3 is a bottom view of the present clip;

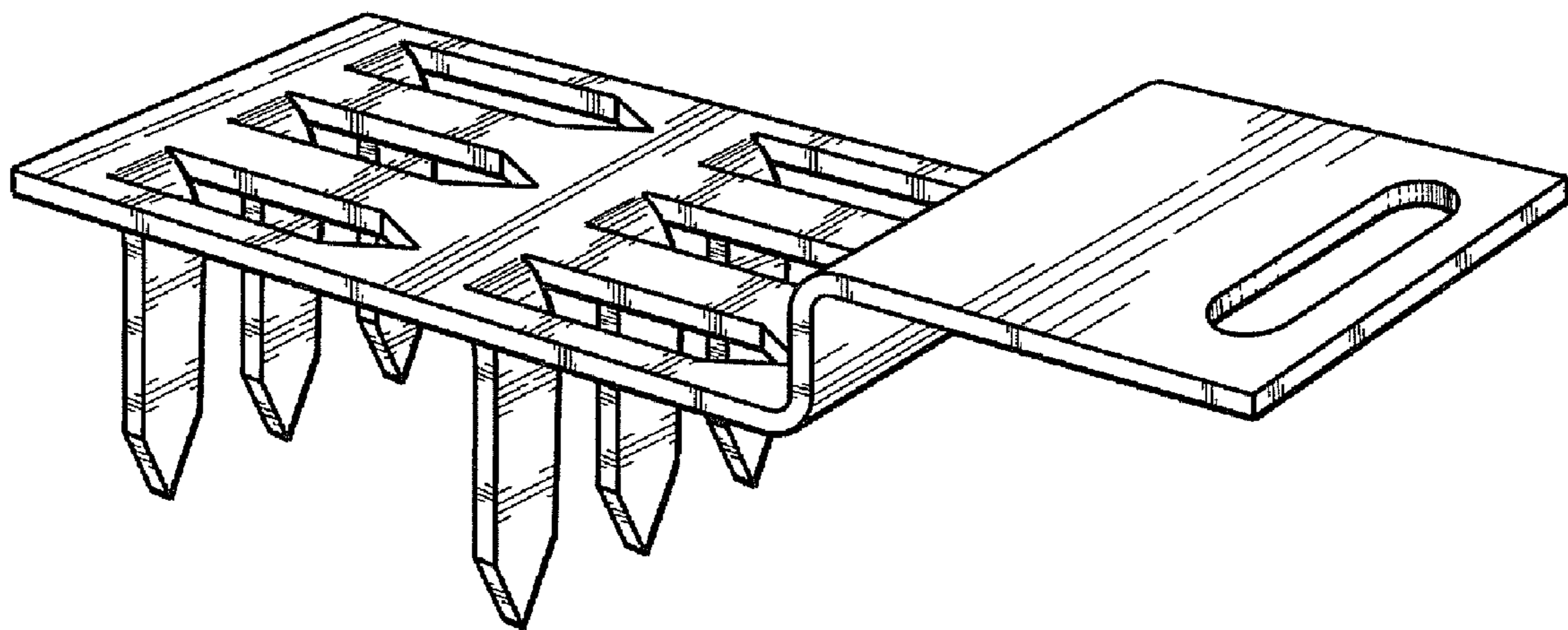
FIG. 4 is a left side view of the present clip;

FIG. 5 is a right side view of same;

FIG. 6 is a rear view of same; and,

FIG. 7 is a front view of the present clip.

1 Claim, 4 Drawing Sheets



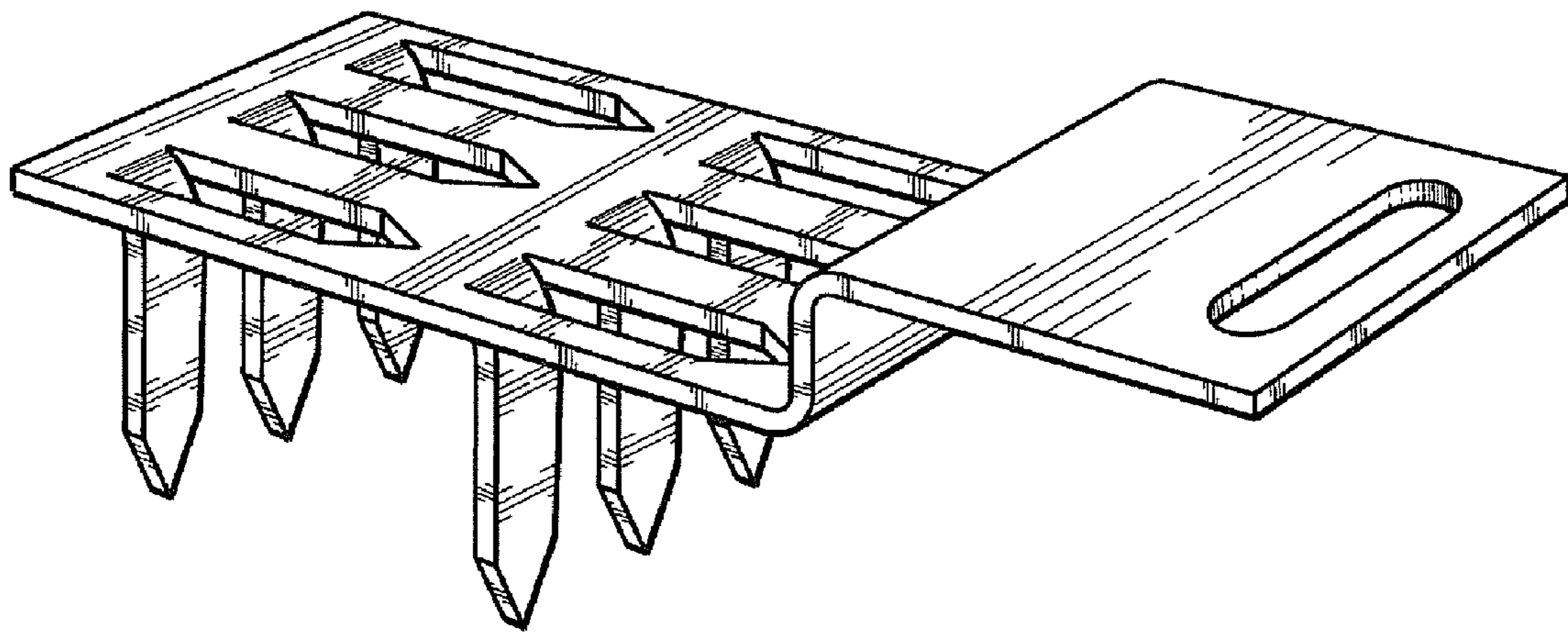


FIG. 1

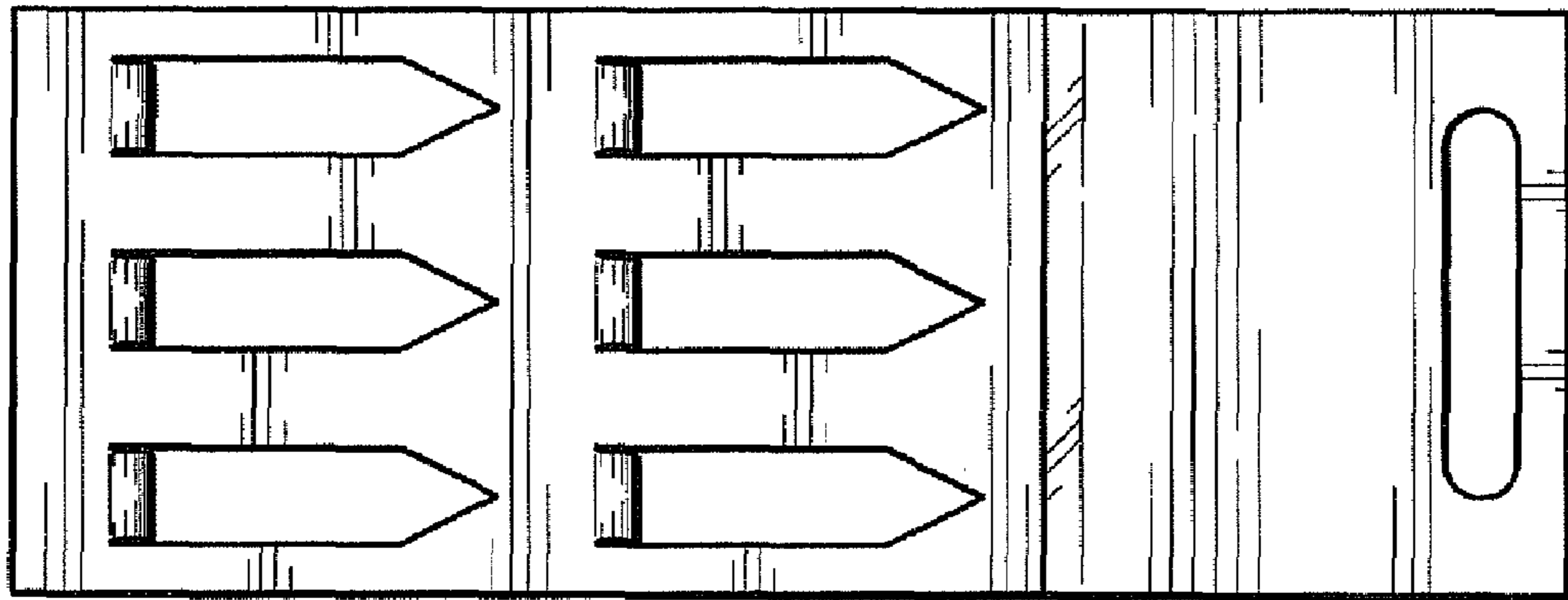


FIG. 2

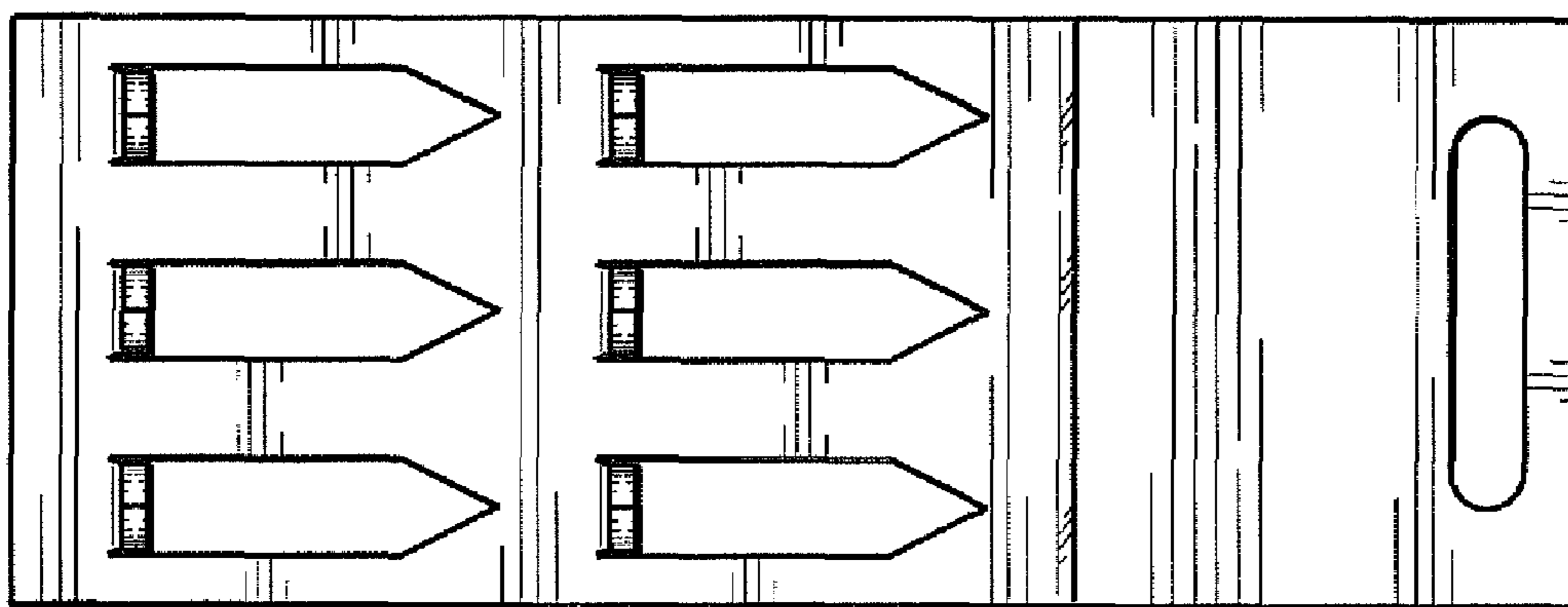


FIG. 3

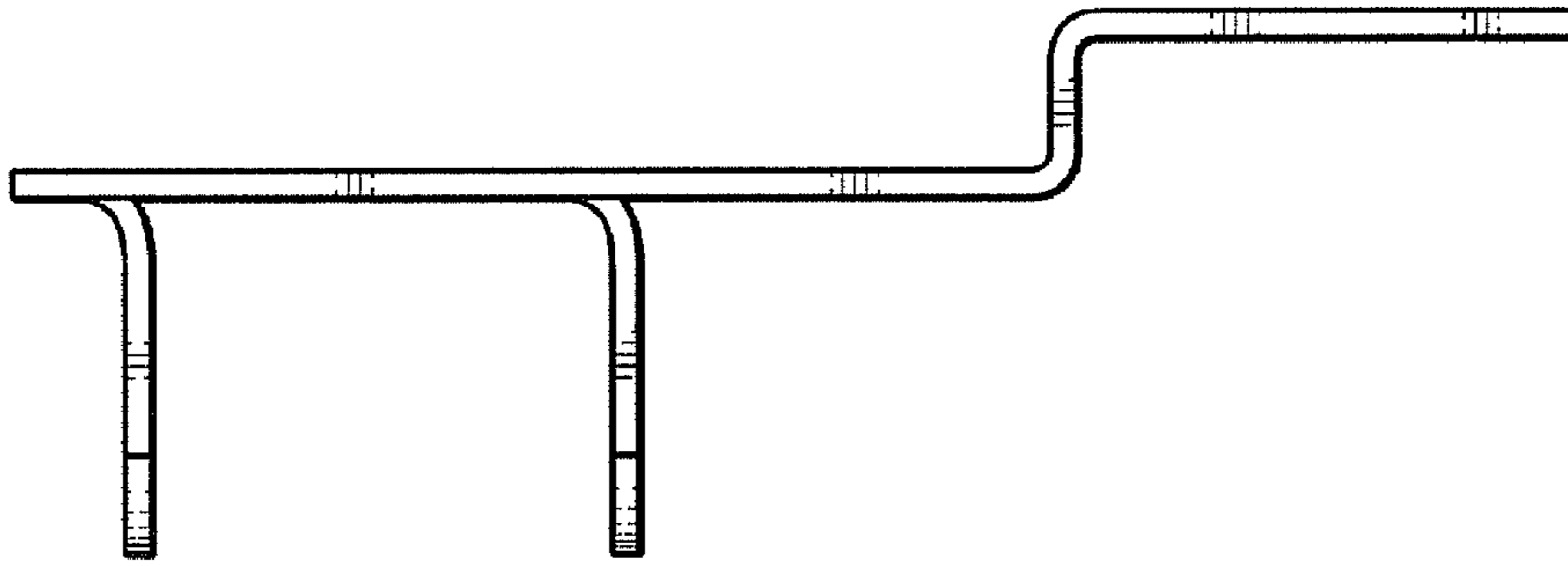


FIG. 4

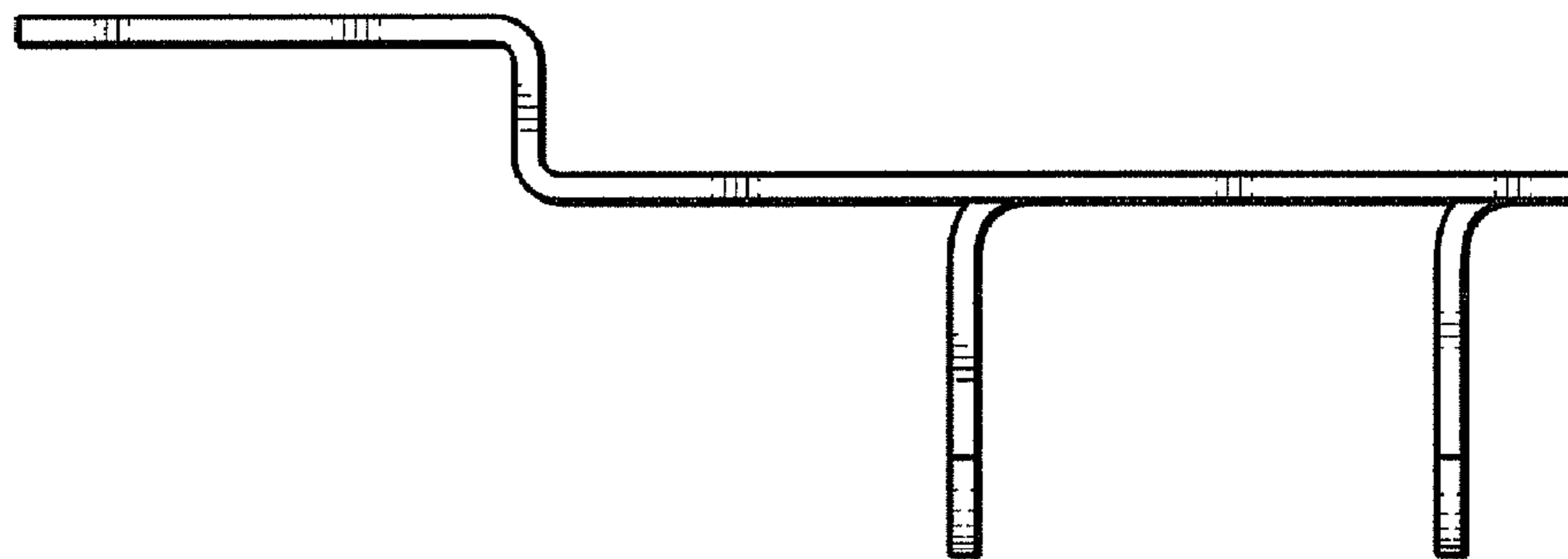


FIG. 5

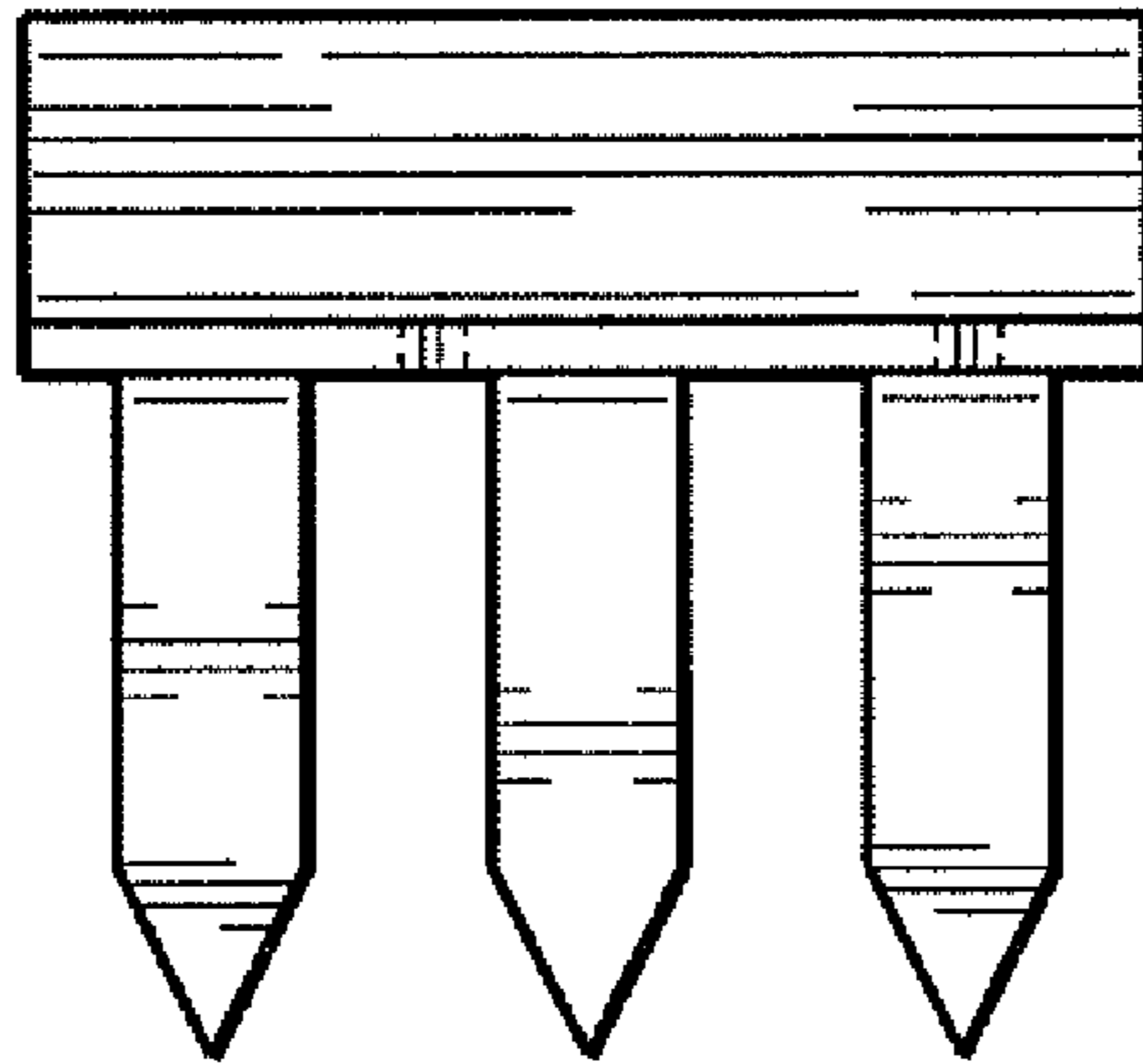


FIG. 6

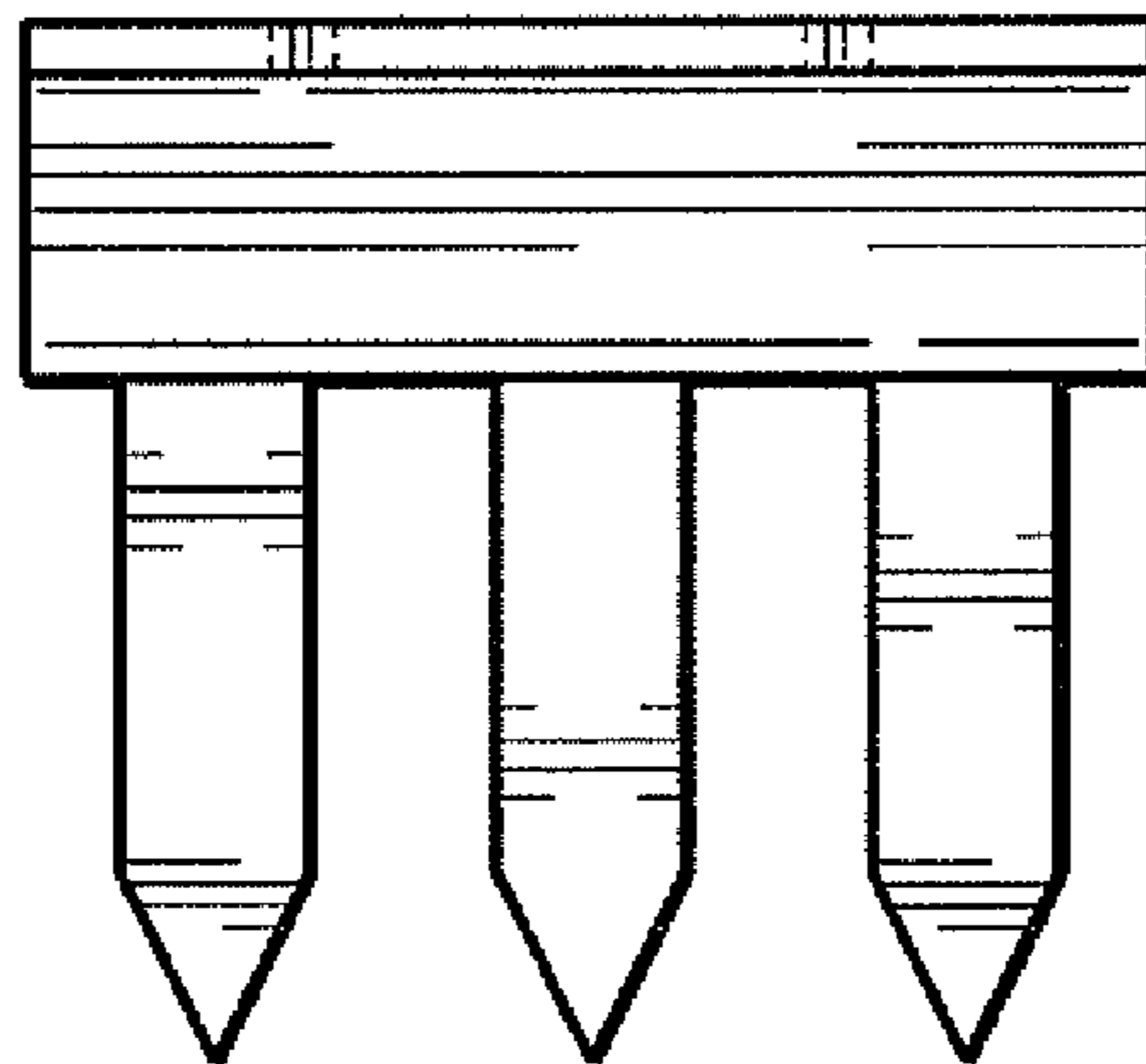


FIG. 7