



US00D589333S

(12) **United States Design Patent**
Nakazato

(10) **Patent No.:** **US D589,333 S**

(45) **Date of Patent:** **** Mar. 31, 2009**

(54) **FIXING ARTICLE FOR AUTOMOBILE PARTS**

D382,468 S * 8/1997 Takahashi D8/382
5,704,753 A * 1/1998 Ueno 411/509
D390,776 S * 2/1998 Ueno D8/382

(75) Inventor: **Hiroshi Nakazato**, Kanagawa-ken (JP)

(Continued)

(73) Assignee: **Piolax, Inc.**, Yokohama-shi,
Kanagawa-ken (JP)

Primary Examiner—Holly H Baynham

Assistant Examiner—Sheryl Lane

(**) Term: **14 Years**

(74) *Attorney, Agent, or Firm*—McGinn IP Law Group,
PLLC

(21) Appl. No.: **29/300,363**

(22) Filed: **Mar. 19, 2008**

(57) **CLAIM**

(30) **Foreign Application Priority Data**

Dec. 19, 2007 (JP) 2007-034792

The ornamental design for a fixing article for automobile parts, as shown and described.

DESCRIPTION

(51) **LOC (9) Cl.** **08-08**

FIG. 1 is a perspective reference view of the front, right side and bottom of a fixing article for automobile parts showing my new design;

(52) **U.S. Cl.** **D8/382**

FIG. 2 is a front view, a rear view being a mirror image thereof;

(58) **Field of Classification Search** D8/382;
411/508, 509, 510, 45; 24/453, 297
See application file for complete search history.

FIG. 3 is a right side view, a left side view being a mirror image thereof;

(56) **References Cited**

U.S. PATENT DOCUMENTS

3,905,270 A * 9/1975 Hehl 411/509
4,427,328 A * 1/1984 Kojima 411/508
D293,883 S * 1/1988 Hirohata D8/386
D293,884 S * 1/1988 Hirohata D8/386
4,716,633 A * 1/1988 Rizo 24/453
D297,614 S * 9/1988 Yokoyama et al. D8/382
D297,615 S * 9/1988 Nakama D8/382
4,810,147 A * 3/1989 Hirohata 411/349
D318,792 S * 8/1991 Hamanaka et al. D8/382
D326,605 S * 6/1992 Nakanura D8/382
5,165,833 A * 11/1992 Watanabe et al. 411/508
5,173,026 A * 12/1992 Cordola et al. 411/508
5,191,513 A * 3/1993 Sugiura et al. 361/752
D354,219 S * 1/1995 Shimajiri D8/382
D355,113 S * 2/1995 Shimajiri D8/382
5,509,182 A * 4/1996 Nakanishi 24/297
D378,349 S * 3/1997 Saito et al. D8/382
D380,667 S * 7/1997 Kanamori et al. D8/382
5,651,634 A * 7/1997 Kraus 403/408.1
D382,466 S * 8/1997 Hirose D8/382

FIG. 4 is a top plan view thereof;

FIG. 5 is a bottom view thereof;

FIG. 6 is a front view of male component; a rear view being a mirror image thereof;

FIG. 7 is a right side view of male component; a left side view being a mirror image thereof;

FIG. 8 is a top plan view of male component;

FIG. 9 is a bottom view of male component;

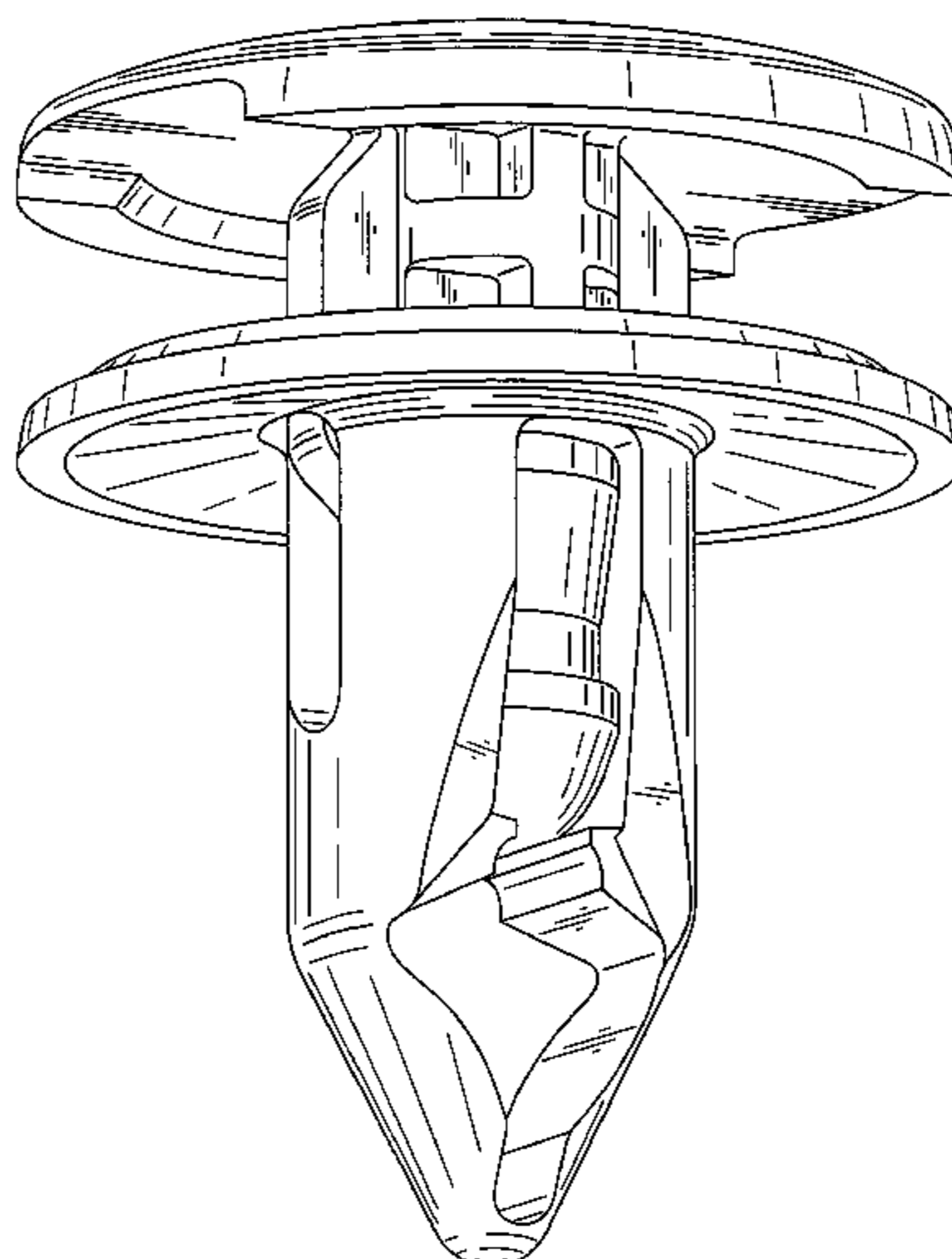
FIG. 10 is a front view of female component; a rear view being a mirror image thereof;

FIG. 11 is a right side view of female component; a left side view being a mirror image thereof;

FIG. 12 is a top plan view of female component; and,

FIG. 13 is a bottom view of female component.

1 Claim, 13 Drawing Sheets



US D589,333 S

Page 2

U.S. PATENT DOCUMENTS

| | | | | | | | | | |
|----------------|---------|--------------|-------|---------|----------------|---------|--------------|-------|---------|
| 5,797,714 A * | 8/1998 | Oddenino | | 411/508 | 6,974,292 B2 * | 12/2005 | Hansen | | 411/508 |
| D456,699 S * | 5/2002 | Nakanishi | | D8/382 | D529,793 S * | 10/2006 | Kuroda | | D8/382 |
| 6,572,317 B2 * | 6/2003 | Okada et al. | | 411/508 | D564,344 S * | 3/2008 | Nakazato | | D8/382 |
| D484,779 S * | 1/2004 | Shibuya | | D8/382 | D566,534 S * | 4/2008 | Okada | | D8/382 |
| D498,414 S * | 11/2004 | Yoneoka | | D8/382 | D566,535 S * | 4/2008 | Asano et al. | | D8/382 |
| D500,245 S * | 12/2004 | Okada | | D8/382 | D567,640 S * | 4/2008 | Katoh | | D8/382 |
| 6,910,840 B2 * | 6/2005 | Anscher | | 411/41 | D570,202 S * | 6/2008 | Katoh | | D8/382 |
| | | | | | D577,284 S * | 9/2008 | Katoh | | D8/382 |

* cited by examiner

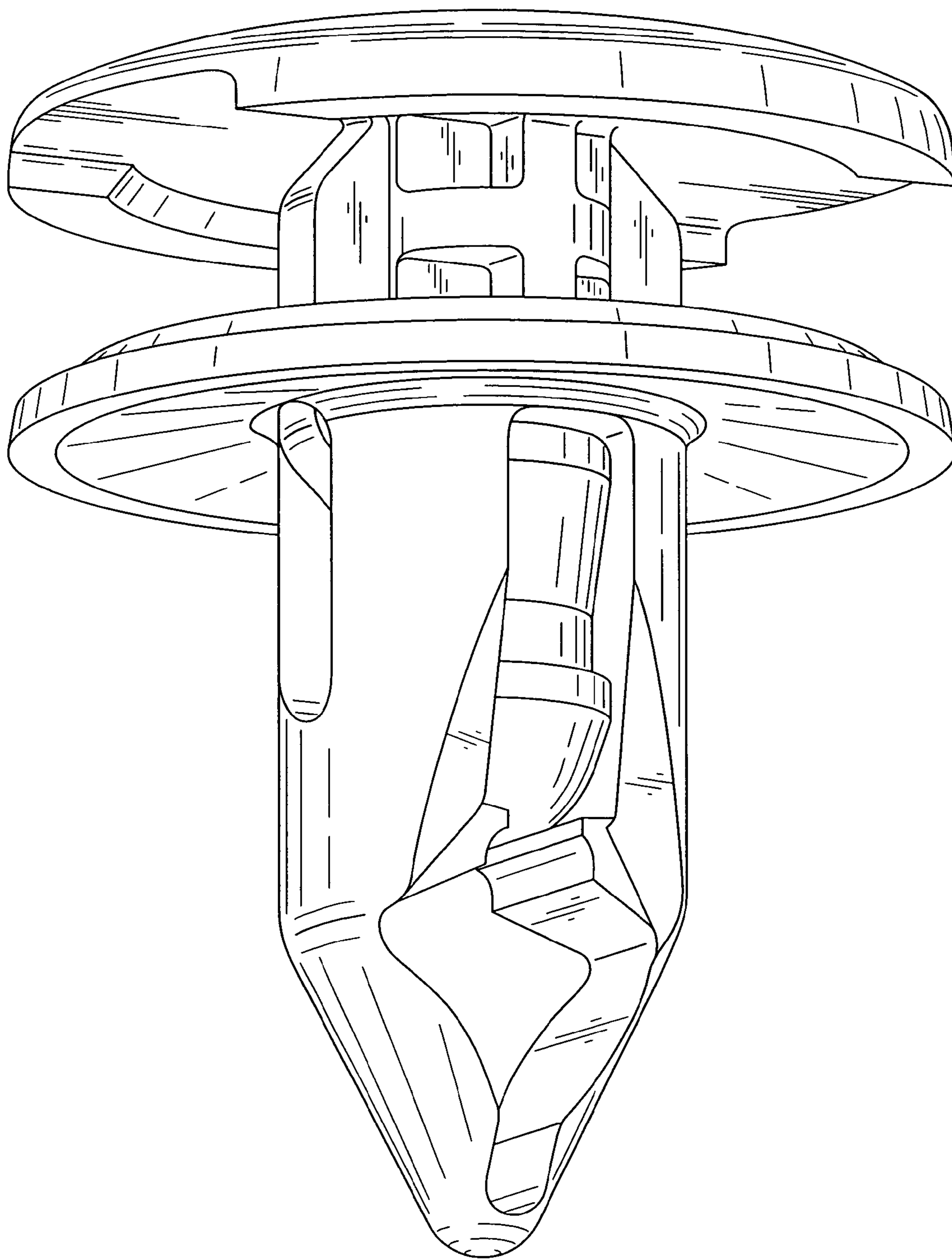


FIG. 1

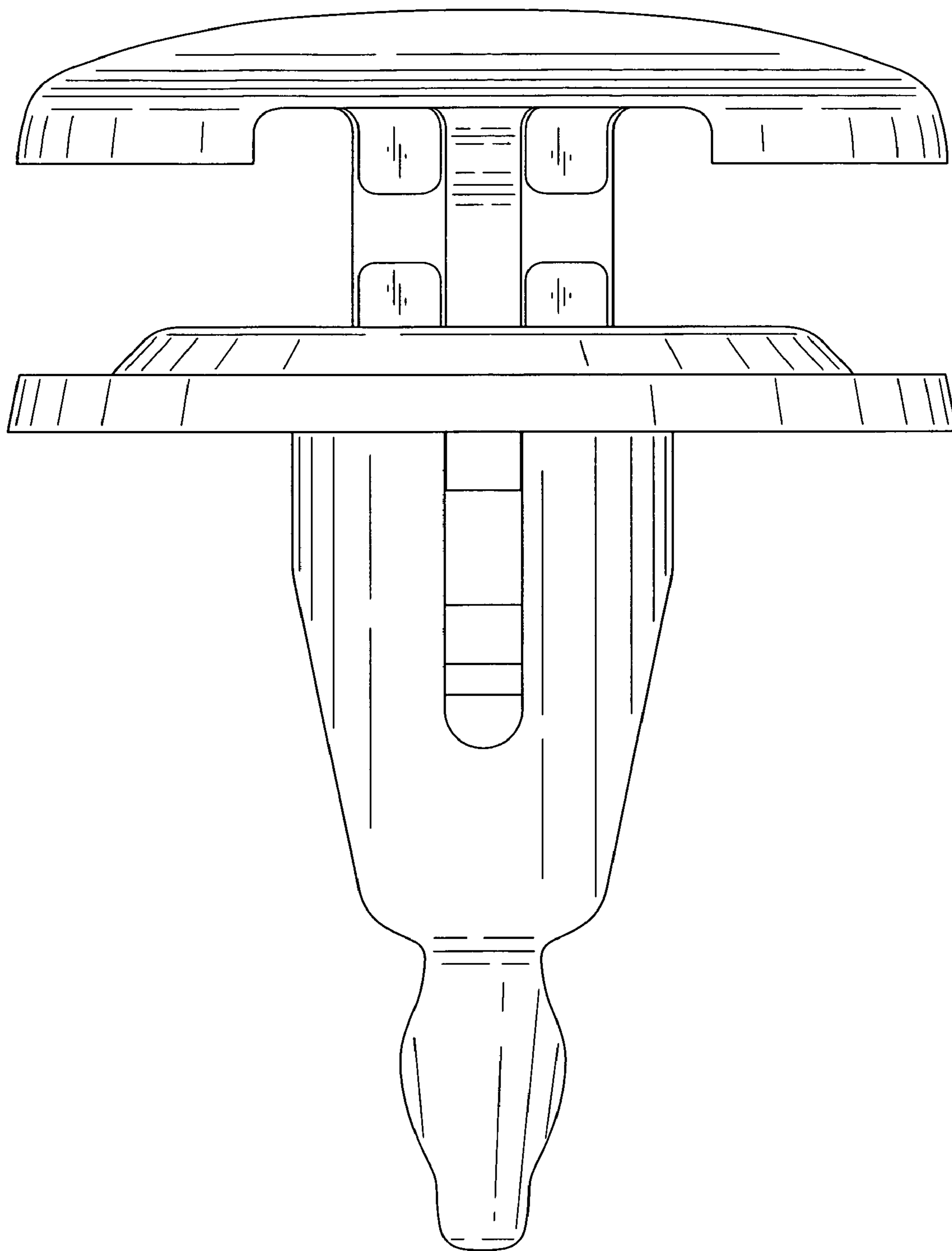


FIG. 2

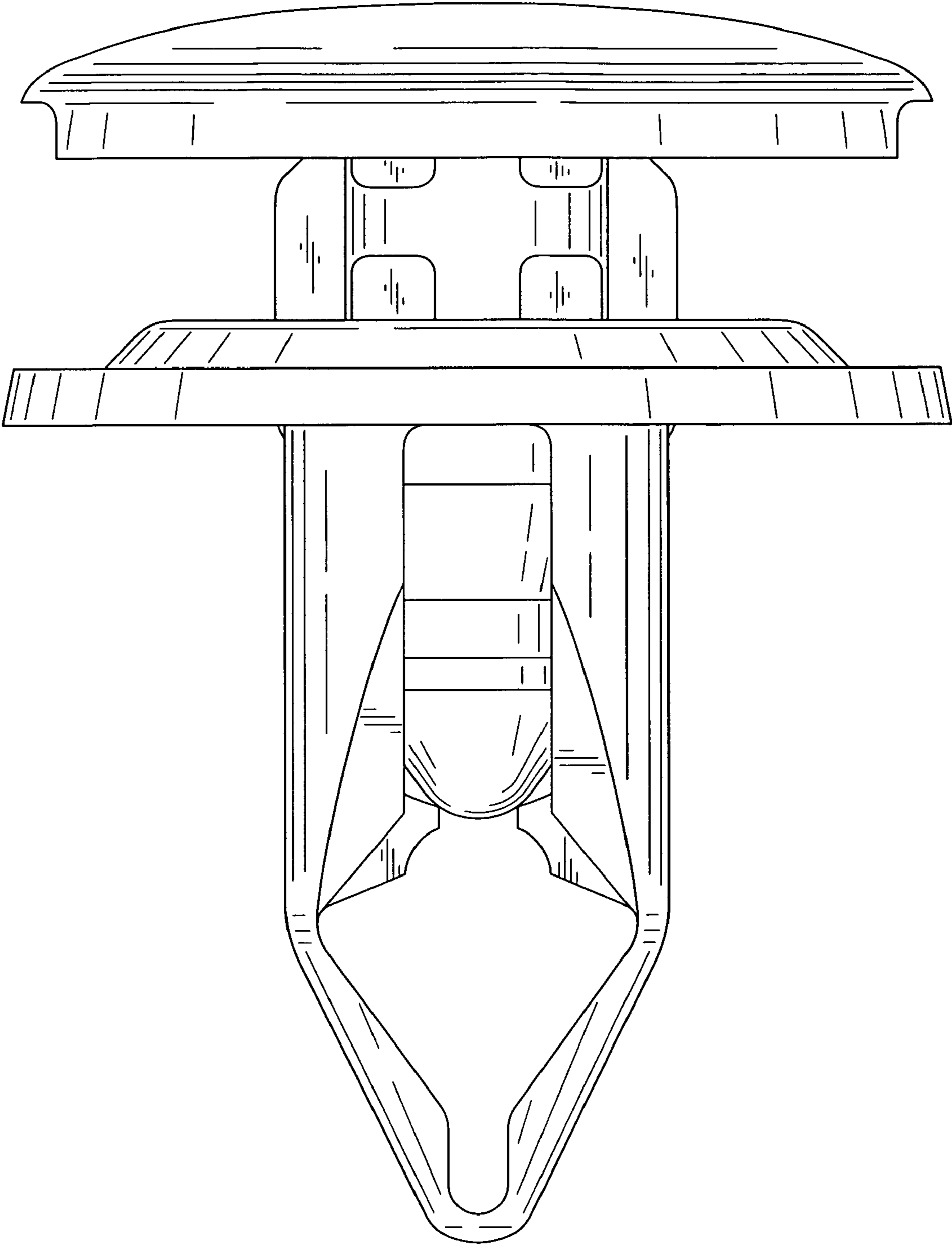


FIG. 3

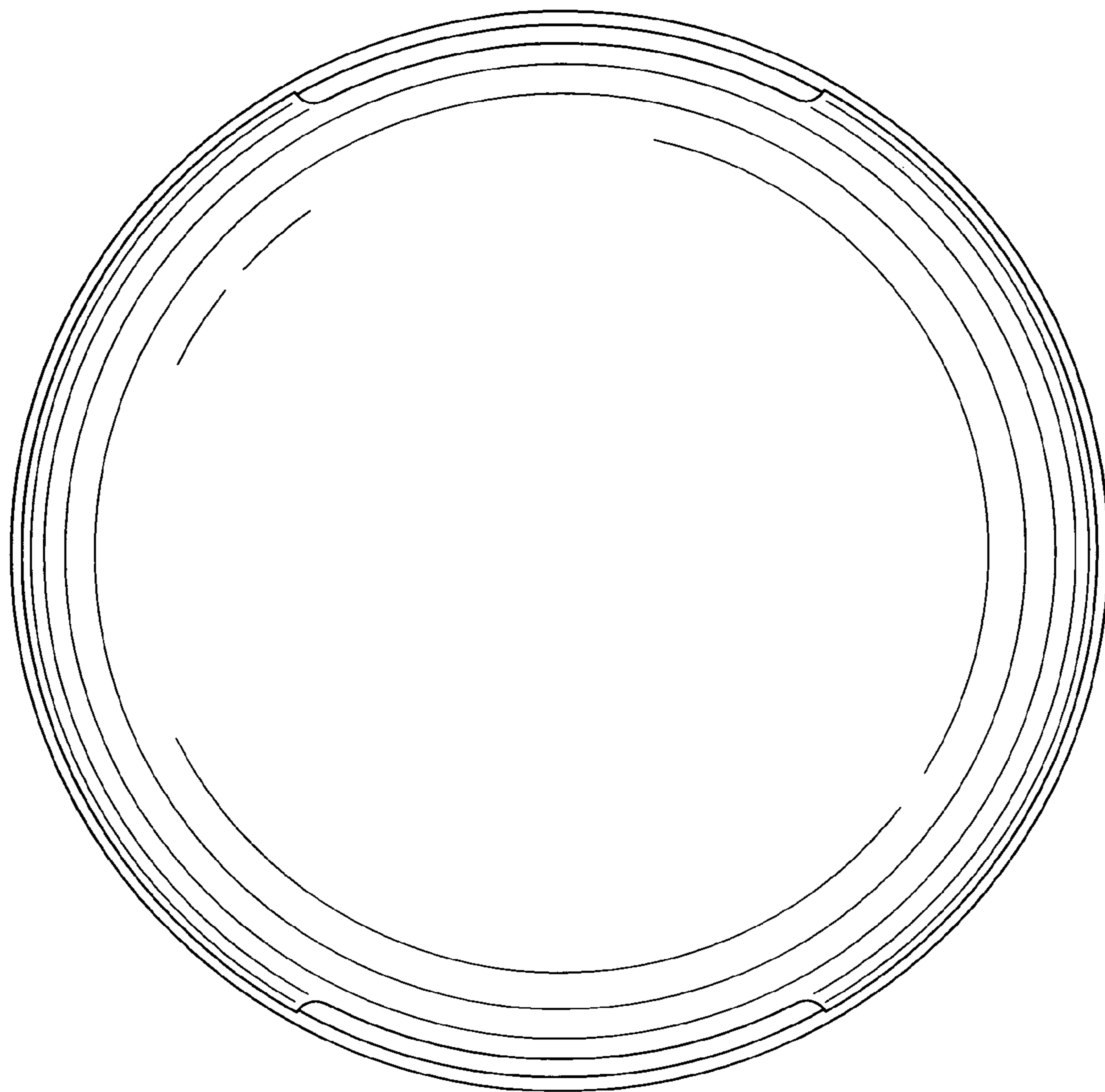


FIG. 4

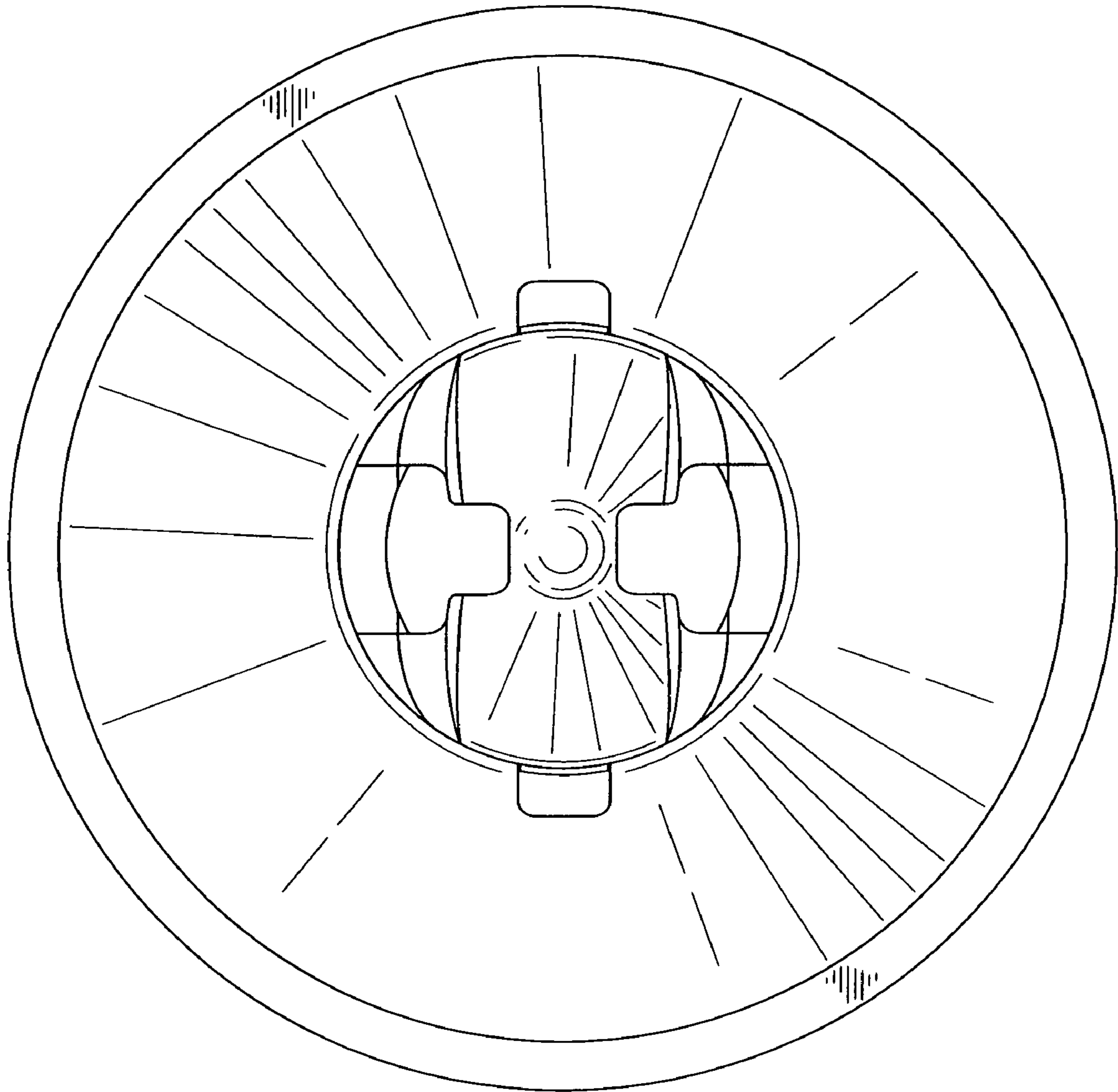


FIG. 5

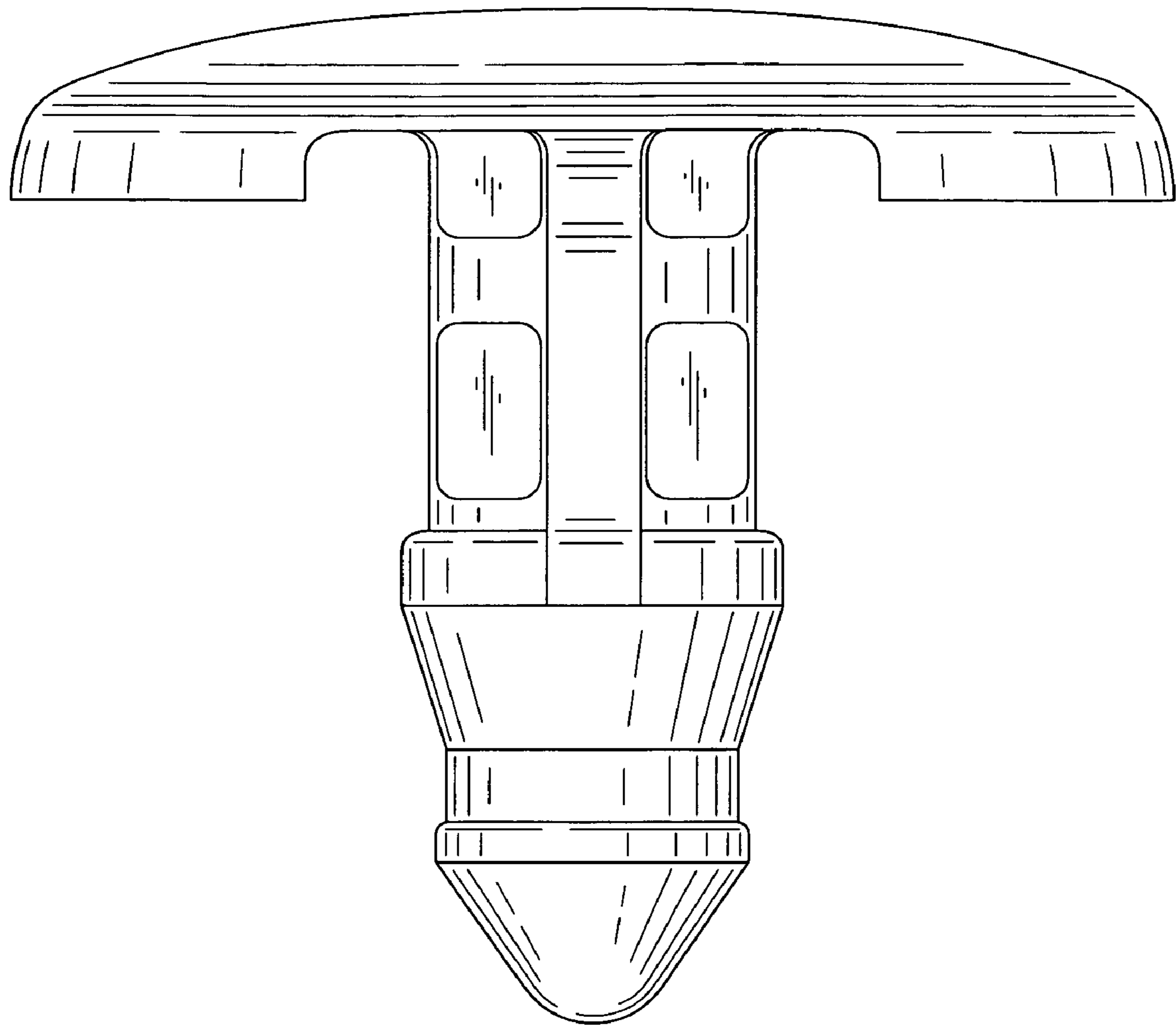


FIG. 6

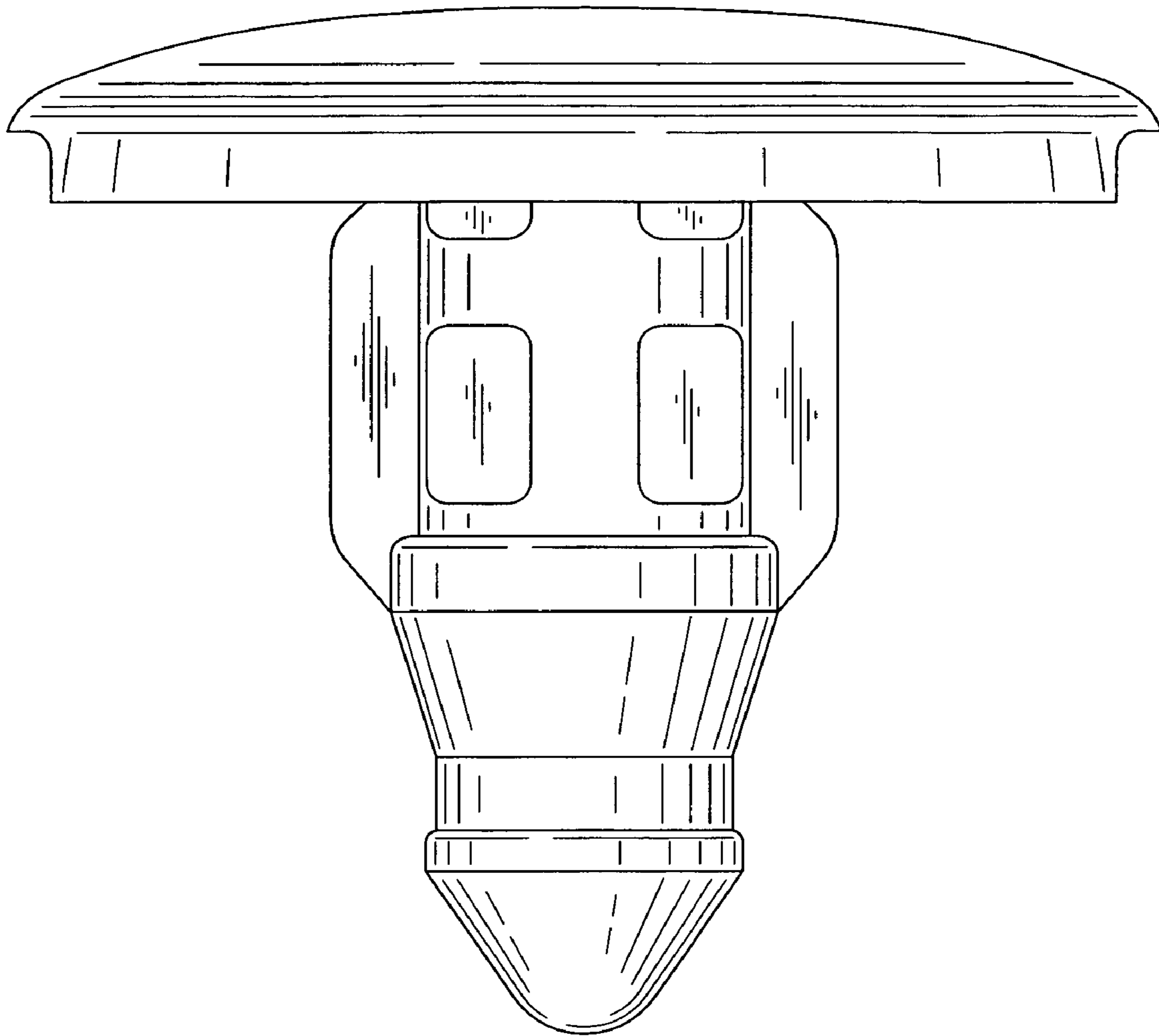


FIG. 7

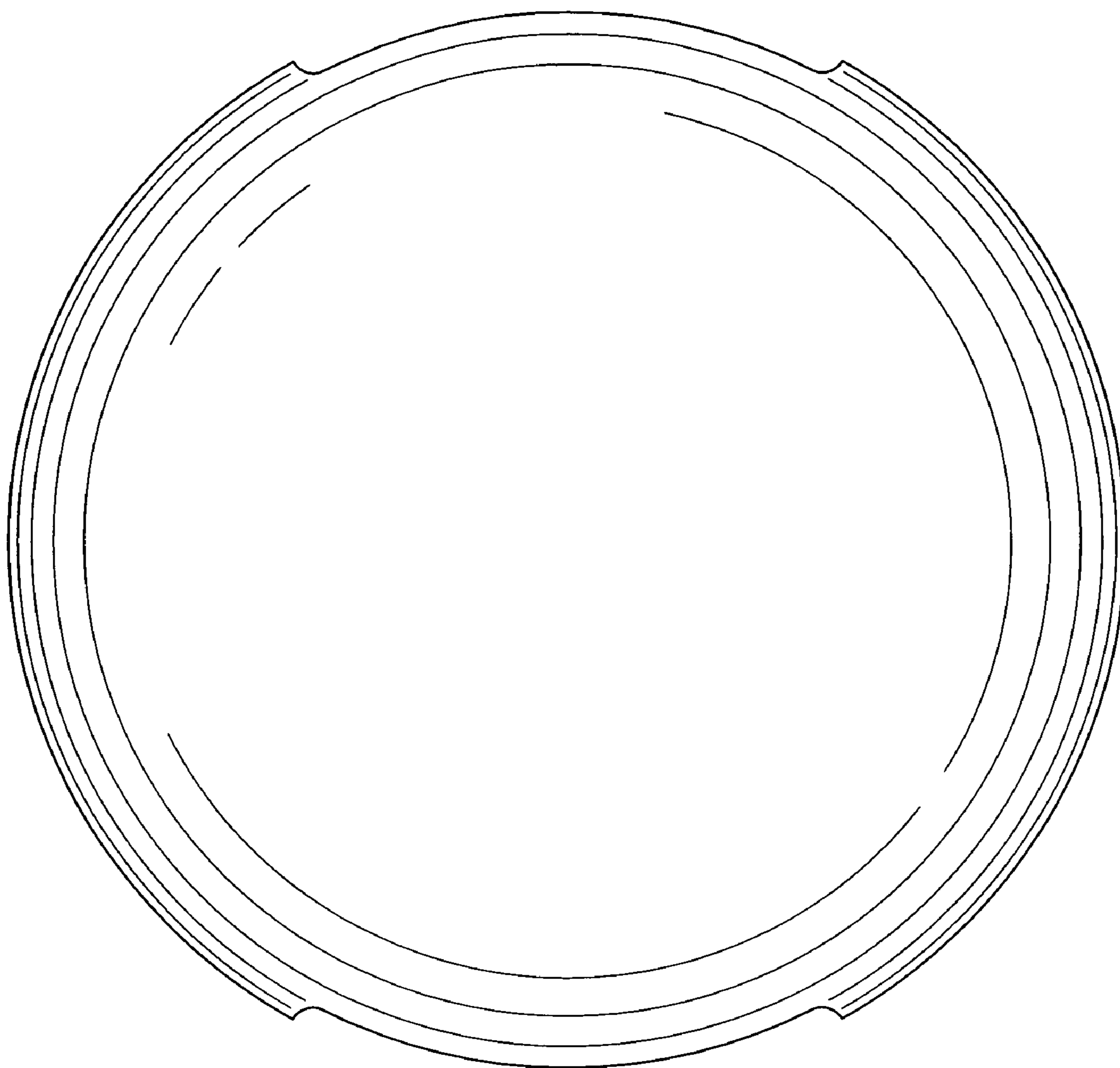


FIG. 8

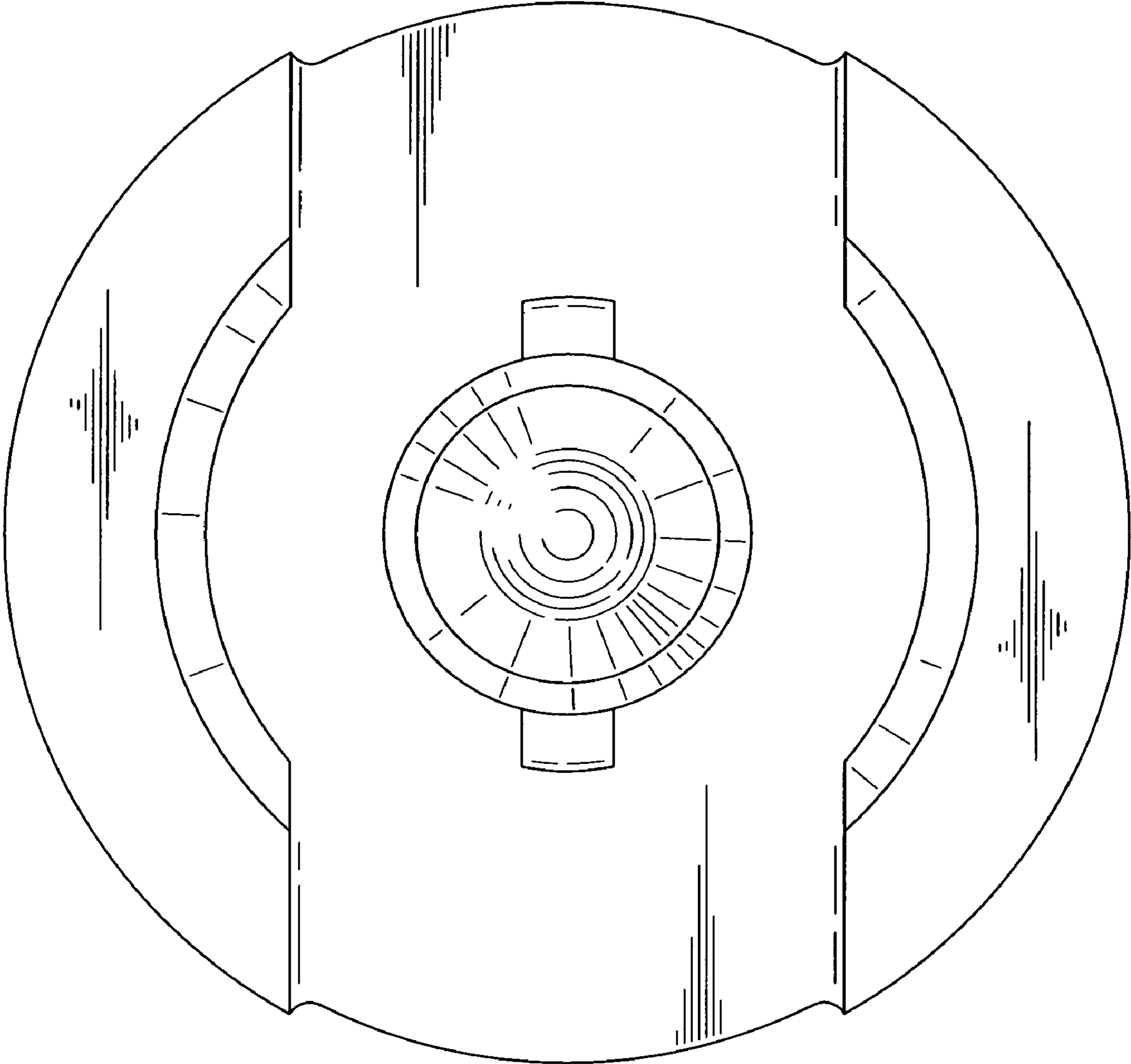


FIG. 9

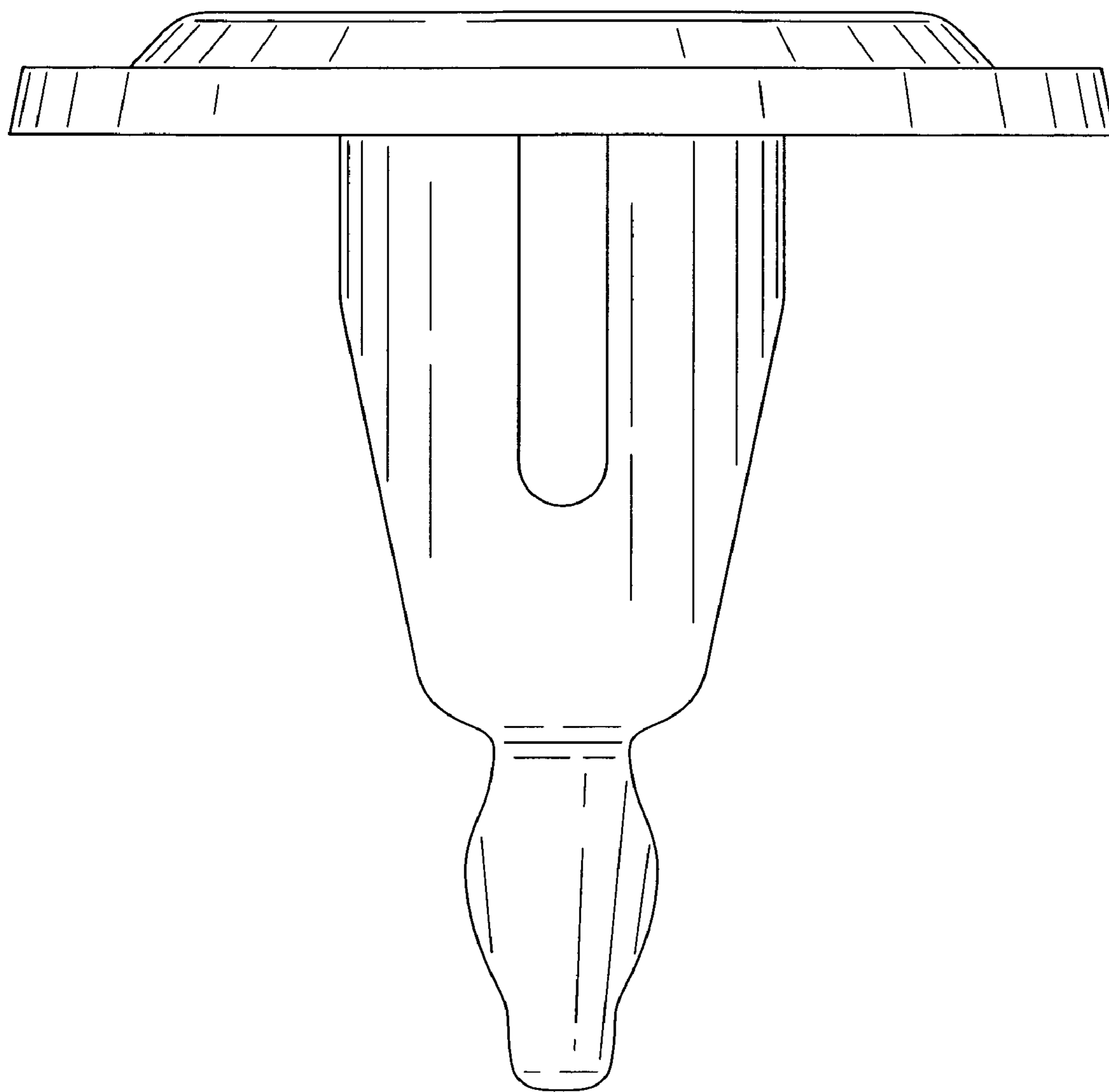


FIG. 10

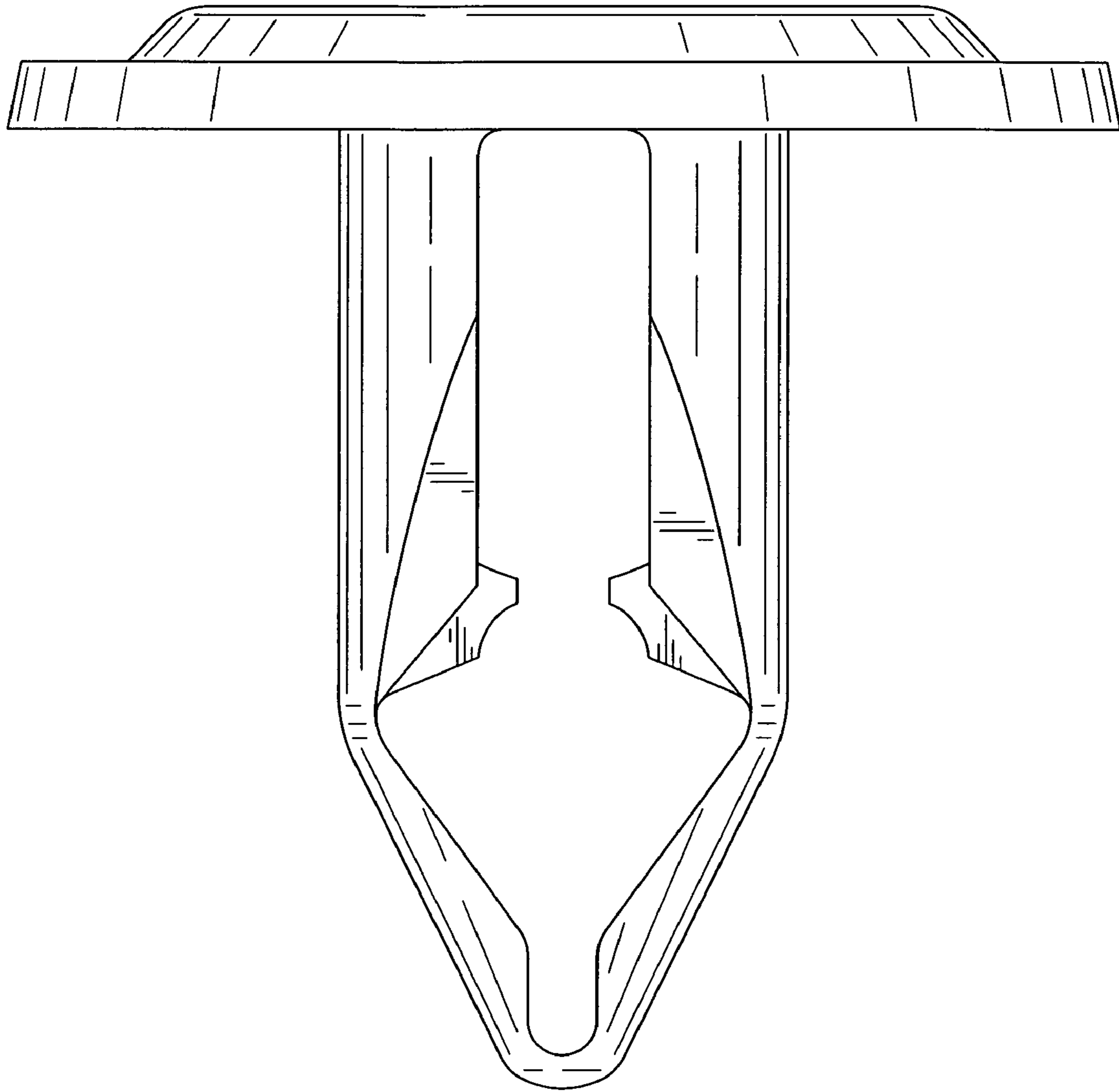


FIG. 11

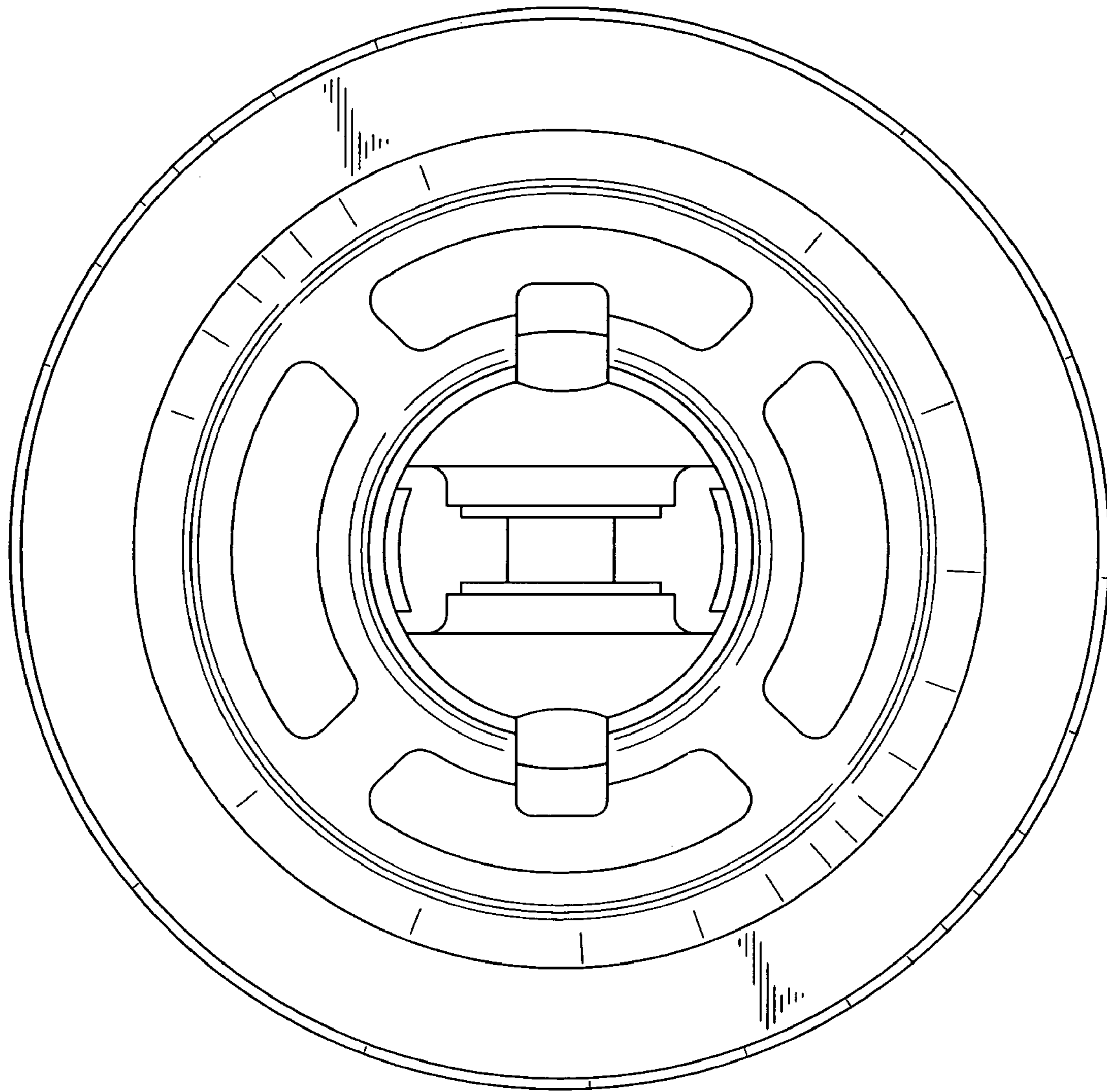


FIG. 12

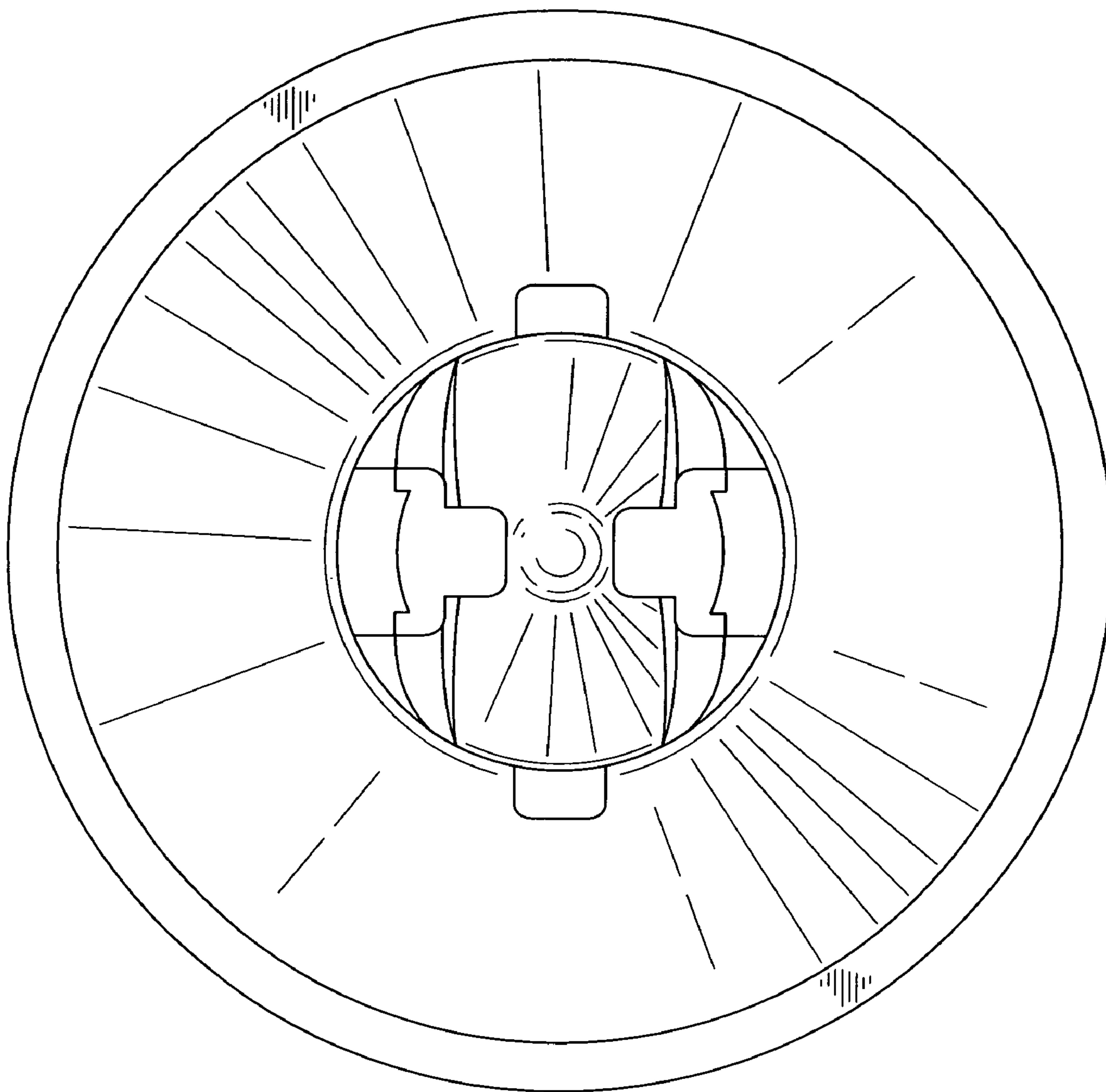


FIG. 13