



US00D589331S

(12) **United States Design Patent**
Zhang

(10) **Patent No.:** **US D589,331 S**

(45) **Date of Patent:** **** Mar. 31, 2009**

(54) **HOOK**

D443,503 S * 6/2001 Harvey D8/367

D554,484 S * 11/2007 Dahlin D8/367

D564,243 S * 3/2008 Zhang D6/323

(75) Inventor: **Zhukai Zhang**, Chicago, IL (US)

(73) Assignee: **Liberty Hardware Mfg. Corp.**,
Winston-Salem, NC (US)

(**) Term: **14 Years**

* cited by examiner

Primary Examiner—Robert M Spear

Assistant Examiner—Barbara B Lohr

(74) *Attorney, Agent, or Firm*—Edgar A. Zarins

(21) Appl. No.: **29/286,533**

(22) Filed: **May 10, 2007**

(57) **CLAIM**

(51) **LOC (9) Cl.** **08-05**

(52) **U.S. Cl.** **D8/367**

(58) **Field of Classification Search** D8/354,
D8/356, 367, 382, 396, 349; 24/600.2, 601.2,
24/165, 265 H, 176, 599.8, 299.8, 599.2;
294/82.19, 82.1; 29/7; 52/698; D6/315,
D6/320, 323, 328; 223/85, 86, 87, 88, 89,
223/90, 91, 92, 93, 94, 95, 96, 97, 98; 211/13.1,
211/85.3, 113, 183; 248/317, 338, 346.01
See application file for complete search history.

The ornamental design for a hook, as shown and described.

DESCRIPTION

FIG. 1 is a perspective view of a hook showing my new design;

FIG. 2 is a front elevational view thereof;

FIG. 3 is a right side view thereof, the opposite side being a mirror image of the side shown; and,

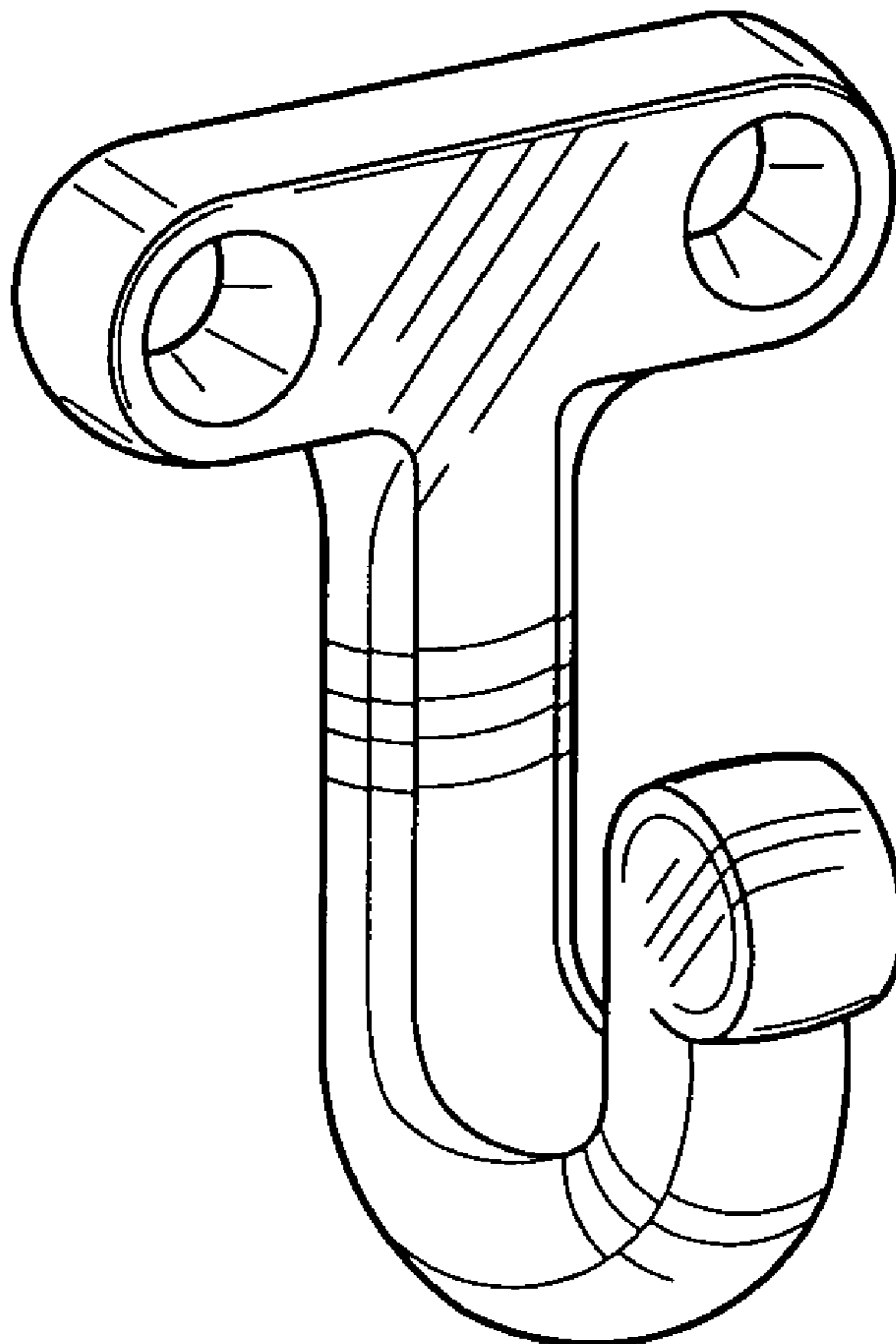
FIG. 4 is a top plan view thereof.

(56) **References Cited**

U.S. PATENT DOCUMENTS

D408,723 S * 4/1999 Goodman et al. D8/367

1 Claim, 1 Drawing Sheet



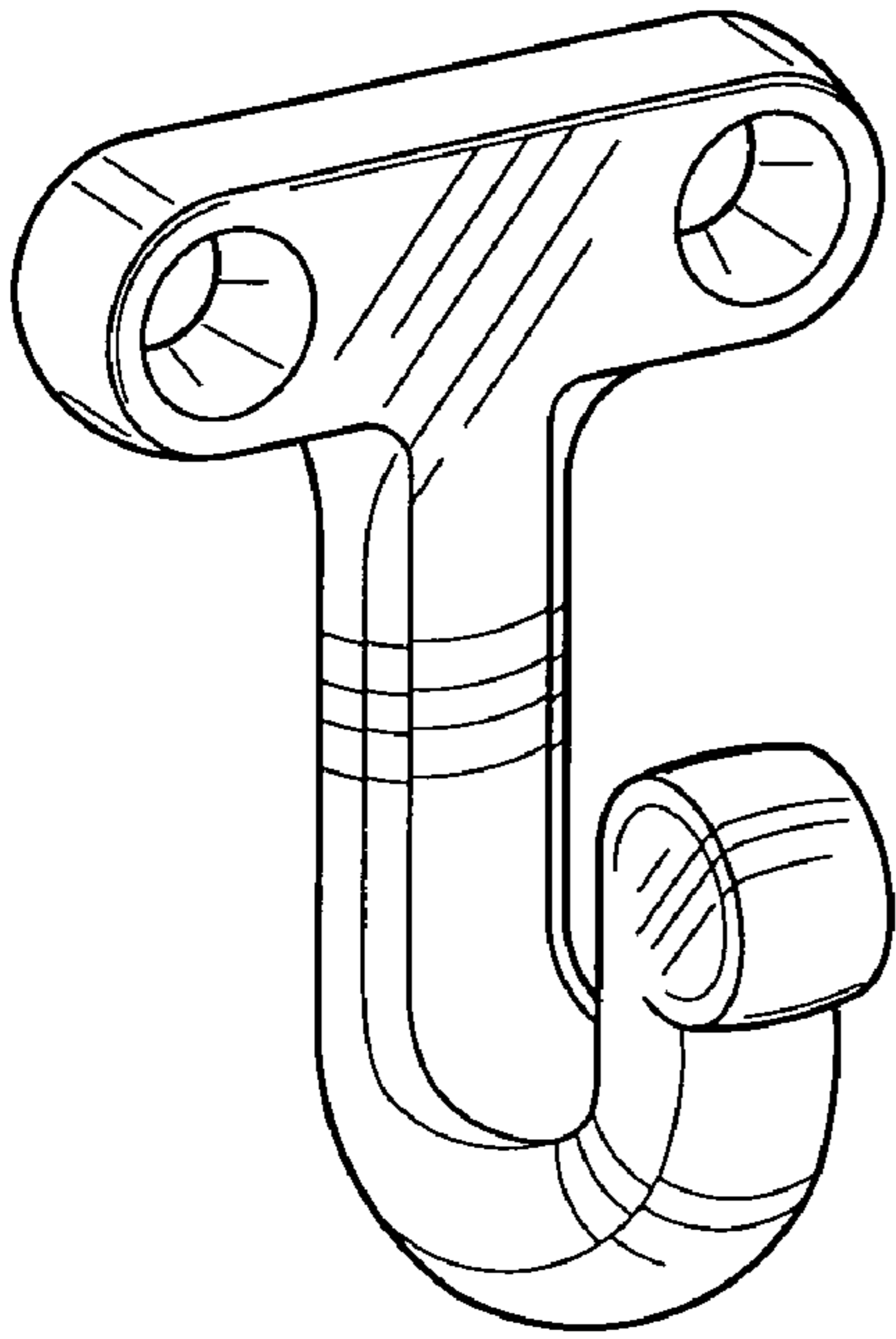


Fig-1

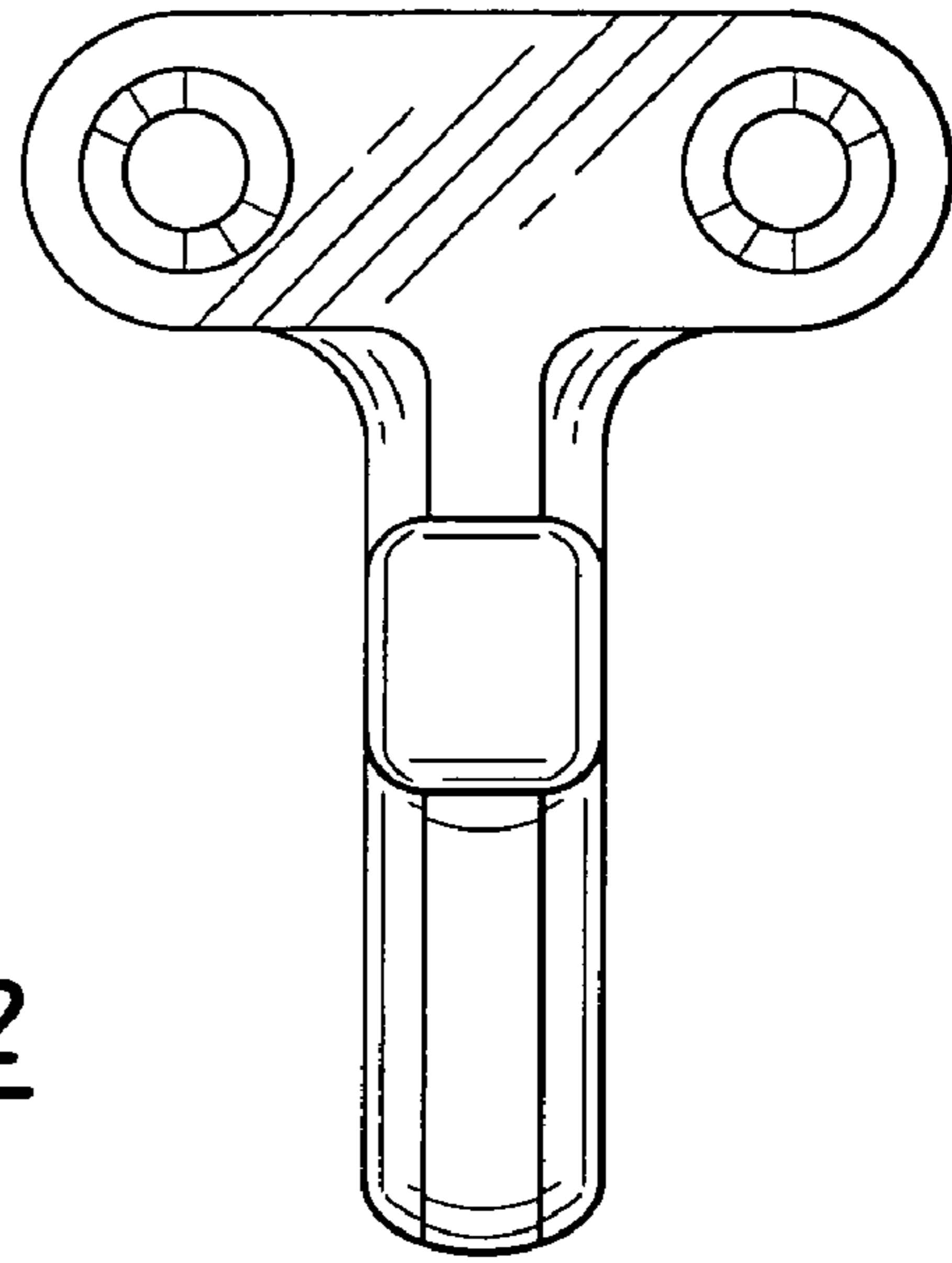


Fig-2

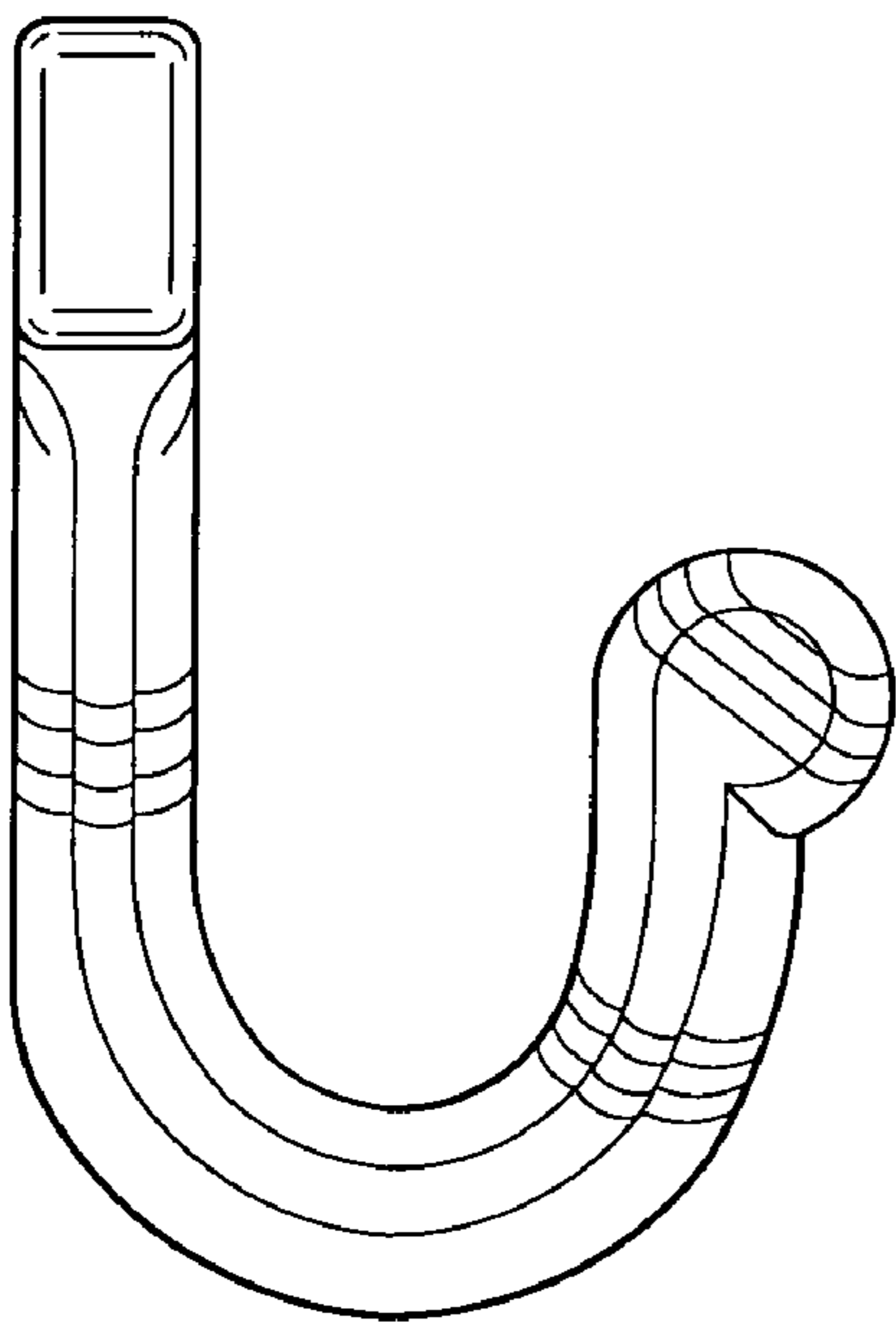


Fig-3

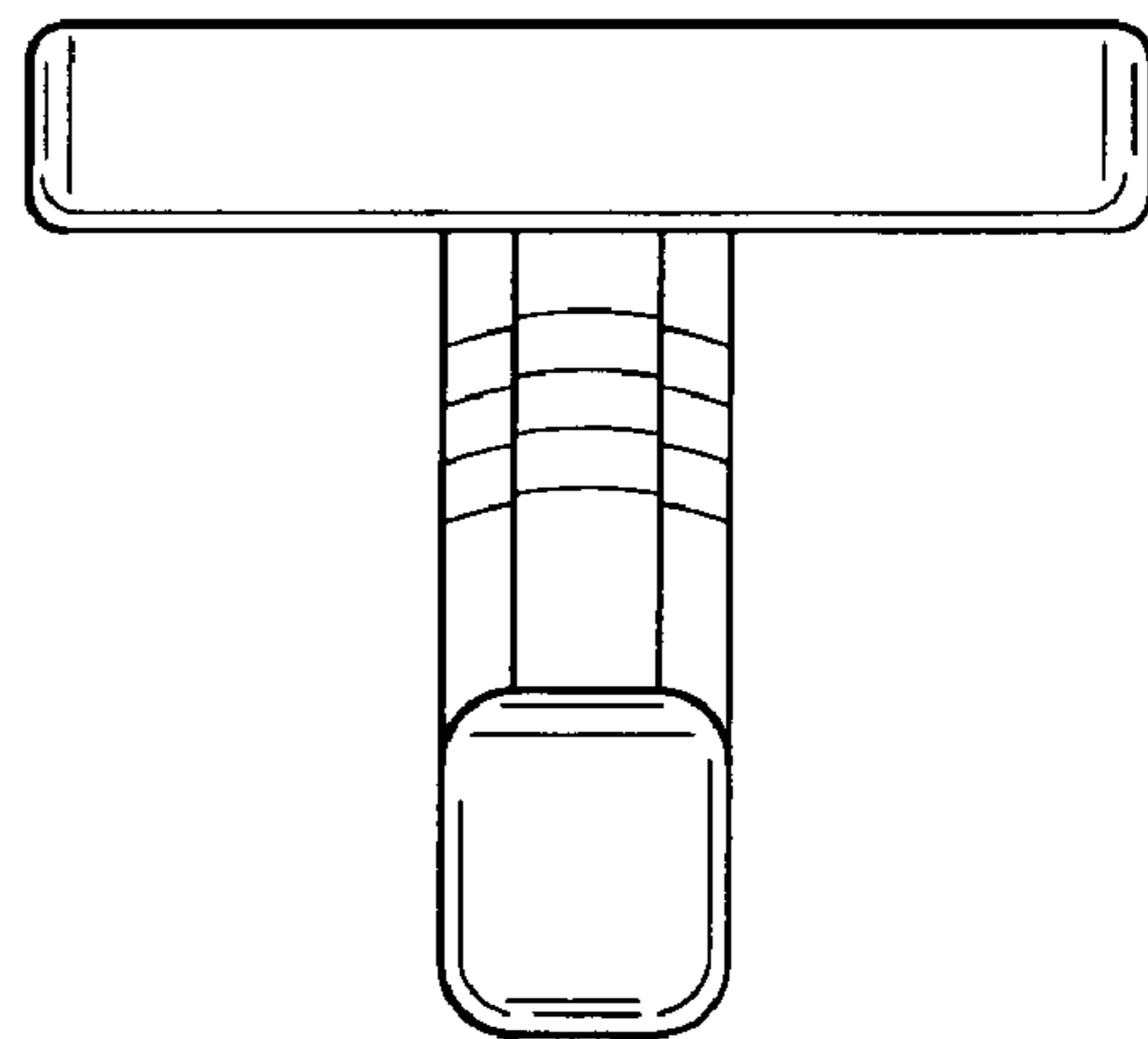


Fig-4