



US00D589330S

(12) **United States Design Patent**
Weck et al.

(10) **Patent No.:** **US D589,330 S**
(45) **Date of Patent:** **** Mar. 31, 2009**

(54) **ADJUSTABLE HEIGHT HANGER**
(75) Inventors: **David Weck**, Miami, FL (US); **Edson A. Mejia**, Miami, FL (US)
(73) Assignee: **Micasa Trading Corporation**, Miami, FL (US)

D397,927 S * 9/1998 Roy D8/373
D461,397 S 8/2002 Weck et al.
D474,106 S 5/2003 Weck et al.
6,629,680 B2 10/2003 Weck et al.
6,758,455 B2 7/2004 Weck et al.
D495,588 S * 9/2004 Wurdack D8/367
2006/0060748 A1 * 3/2006 Darre 248/476
2007/0075211 A1 * 4/2007 Potter 248/476

(**) Term: **14 Years**
(21) Appl. No.: **29/282,328**
(22) Filed: **Jul. 17, 2007**

* cited by examiner

Primary Examiner—Robert M Spear
Assistant Examiner—Barbara B Lohr

(51) **LOC (9) Cl.** **08-05**
(52) **U.S. Cl.** **D8/367**
(58) **Field of Classification Search** D8/367,
D8/371, 373, 388, 389, 390; 248/217.3,
248/220.21, 220.43, 262, 263, 269, 275.1,
248/295.11, 301, 339, 469, 475.1, 476, 477,
248/488, 489, 490, 493, 495, 497, 544; D6/367,
D6/580; 40/152.1; 411/460, 461, 475, 488,
411/490

(57) **CLAIM**

The ornamental design for an adjustable height hanger, as shown and described.

See application file for complete search history.

DESCRIPTION

FIG. 1 is a perspective view of an adjustable height hanger showing our new design;
FIG. 2 is a front view thereof;
FIG. 3 is a left side view thereof;
FIG. 4 is a top view thereof;
FIG. 5 is a bottom view thereof; and,
FIG. 6 is a back view thereof.

The right side view thereof is the same as the left side view, except that the right side view is reversed from the left side view.

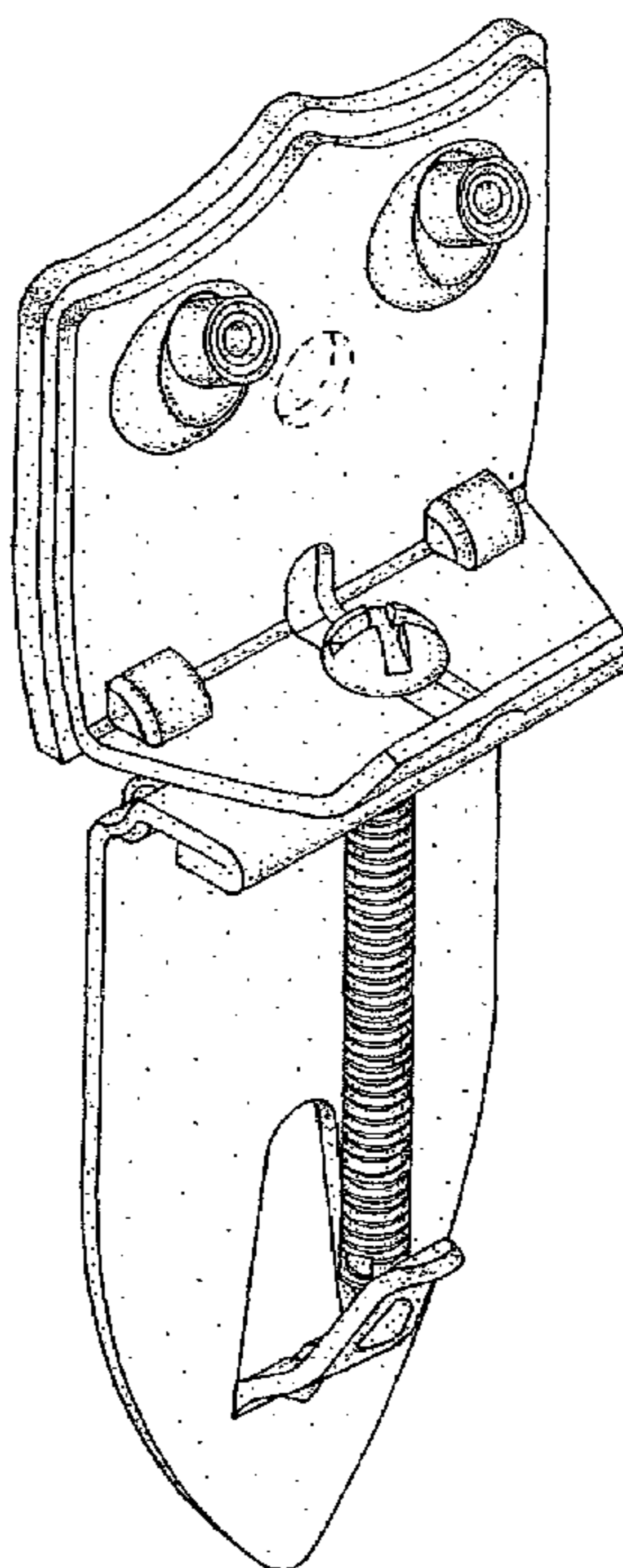
All the broken lines in the drawing represent environmental structure and form no part of the claimed design.

(56) **References Cited**

U.S. PATENT DOCUMENTS

4,449,689 A * 5/1984 Lautenschlager et al. ... 248/544
4,549,713 A * 10/1985 Magadini 248/495
4,566,665 A * 1/1986 Rynearson 248/495
D282,525 S * 2/1986 Samson et al. D8/373
4,850,560 A * 7/1989 Ross 248/295.11
4,976,409 A * 12/1990 Hansen 248/469
D316,956 S * 5/1991 Hoskinson et al. D8/371
5,480,120 A * 1/1996 Bruner 248/477
5,749,558 A * 5/1998 Wallo 248/475.1

1 Claim, 3 Drawing Sheets



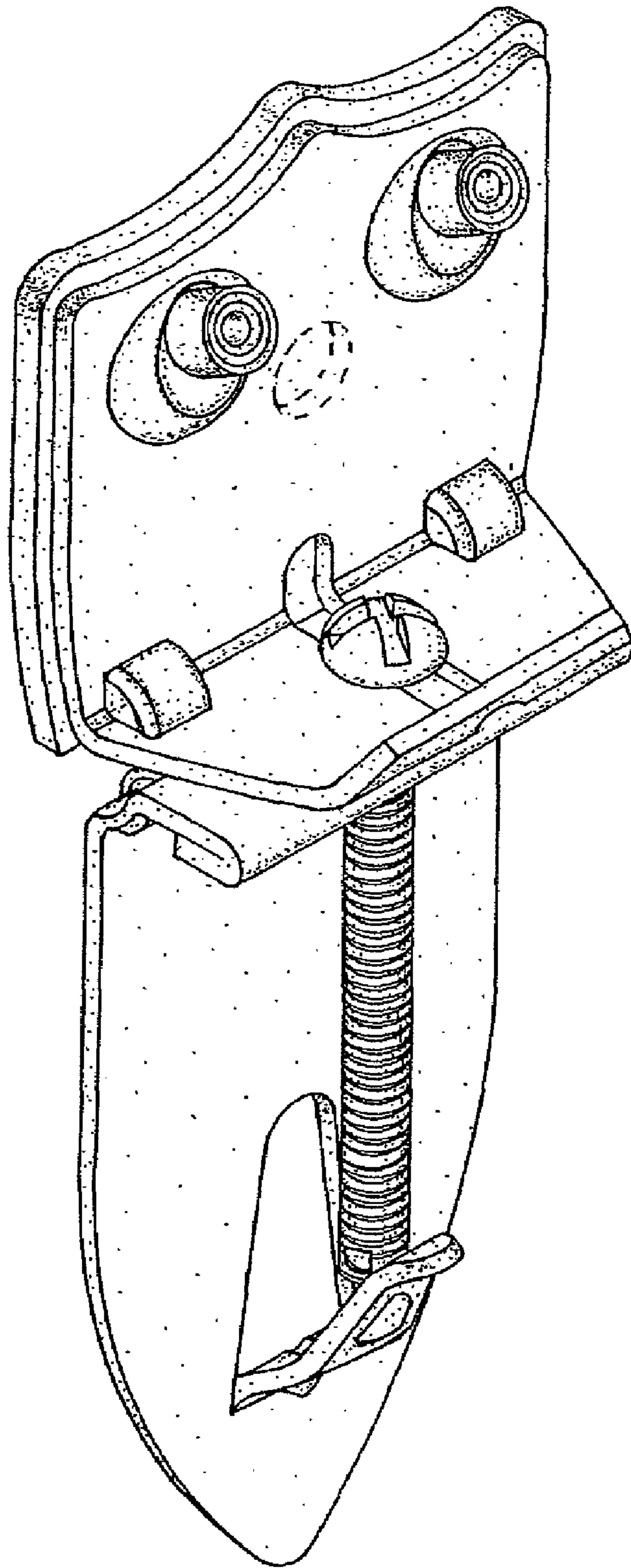


FIG. 1

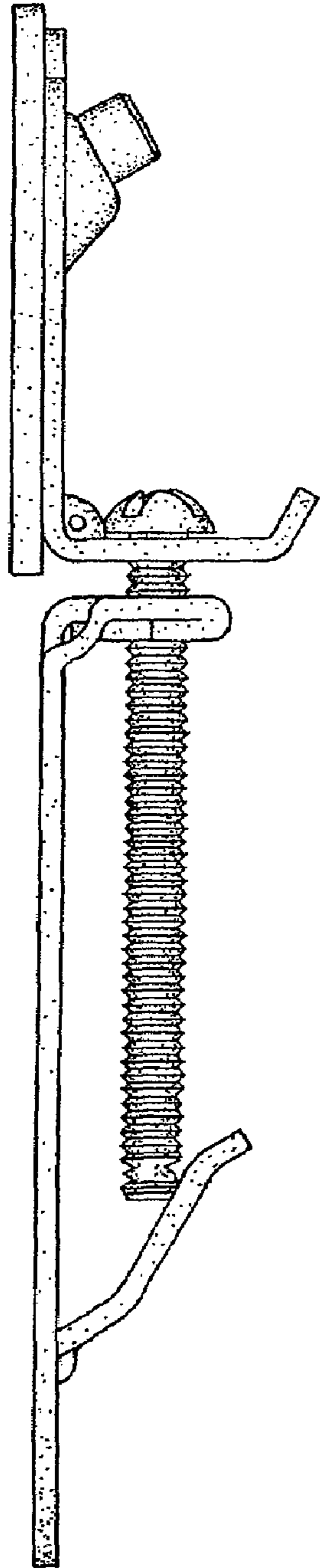


FIG. 3

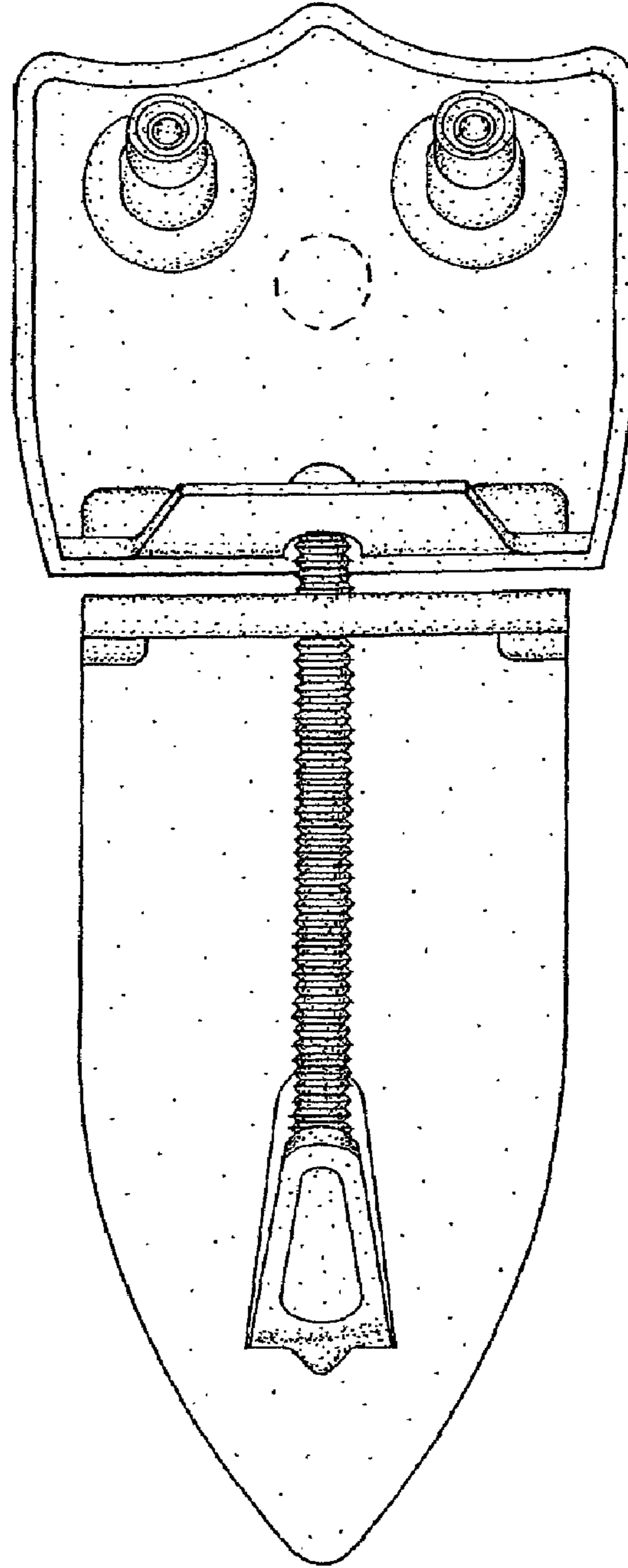


FIG. 2

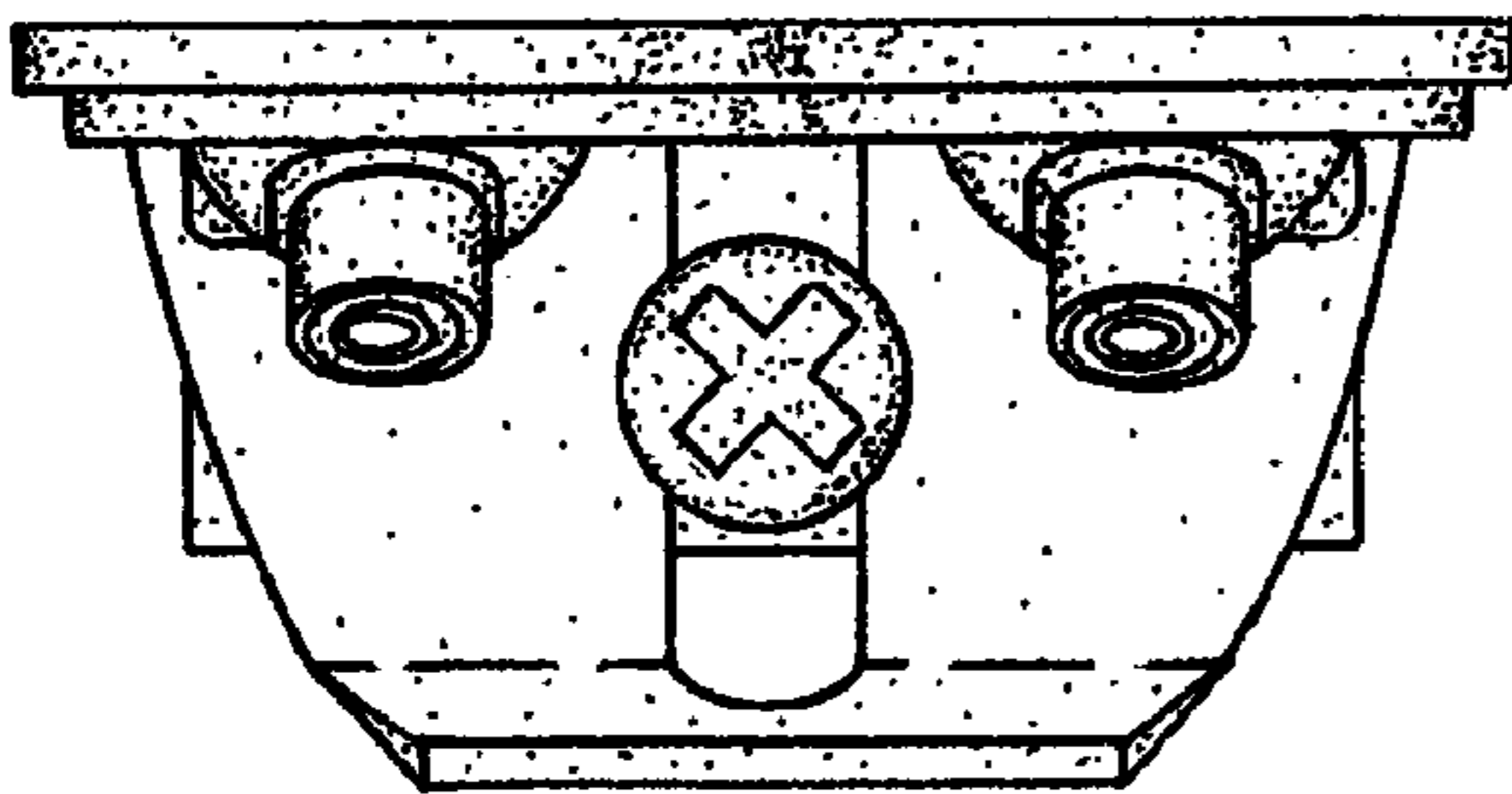


FIG. 4

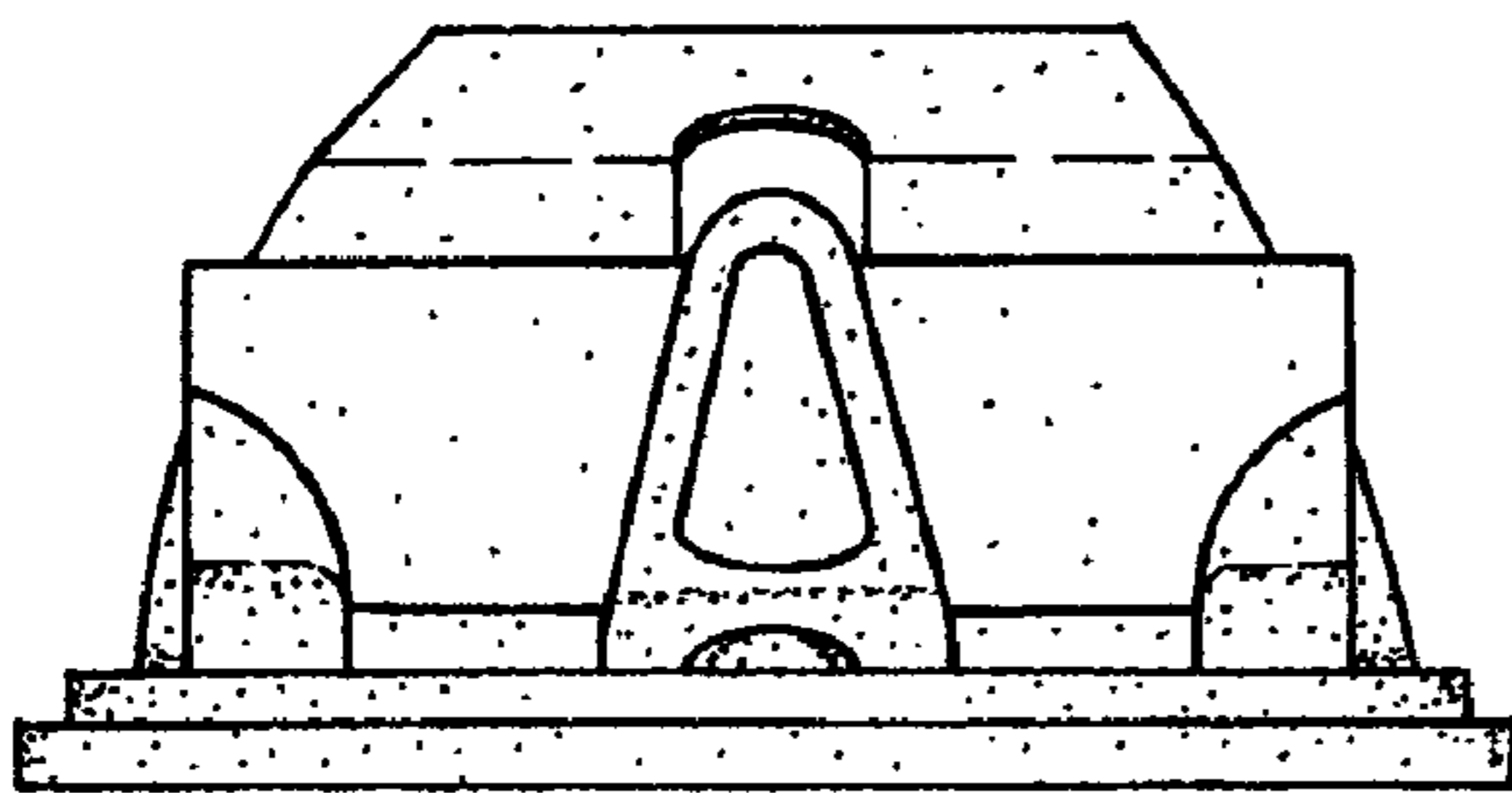


FIG. 5

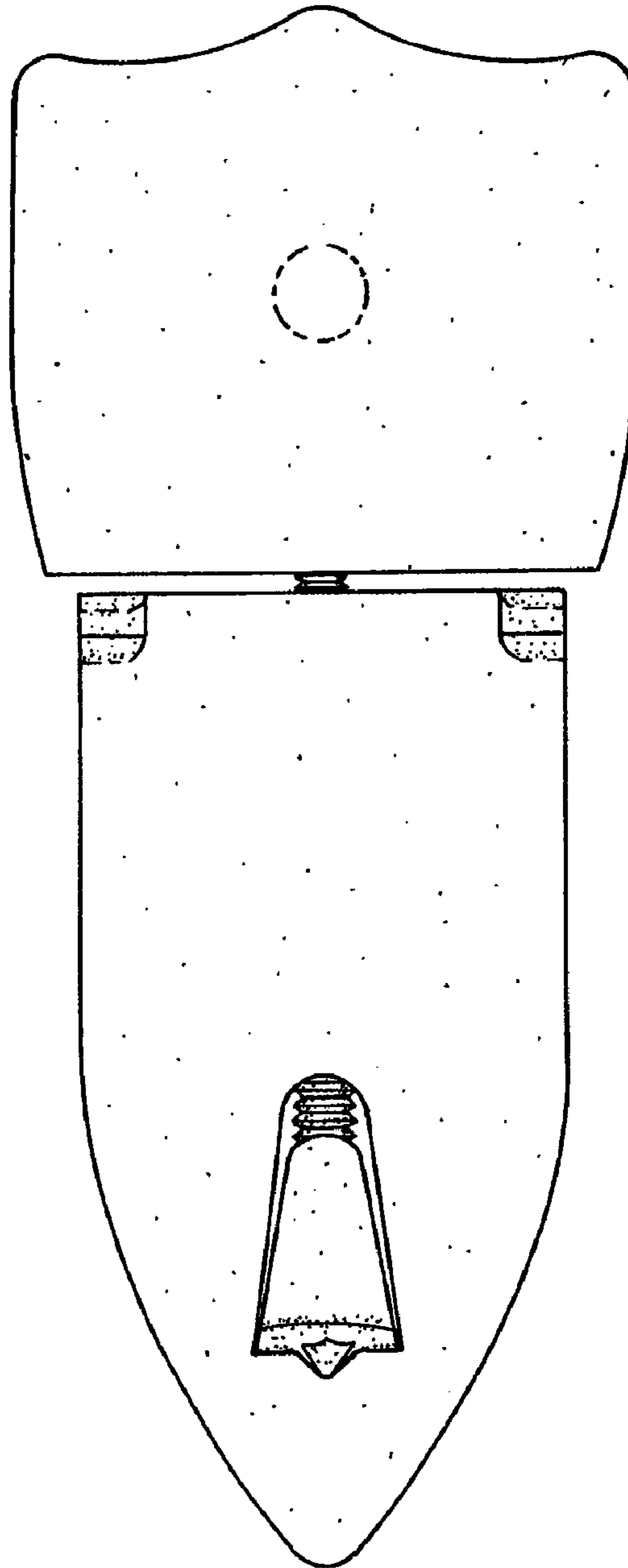


FIG. 6