



US00D589329S

(12) **United States Design Patent**  
**Plunk et al.**

(10) **Patent No.:** **US D589,329 S**  
(45) **Date of Patent:** **\*\* Mar. 31, 2009**

(54) **HOSE REEL**

(75) Inventors: **Tony Plunk**, Jackson, TN (US); **Shaohe Li**, Nashville, TN (US); **Tim Jackson**, Jackson, TN (US)

(73) Assignee: **Midwest Air Technologies, Inc.**, Lincolnshire, IL (US)

(\*\*) Term: **14 Years**

(21) Appl. No.: **29/291,557**

(22) Filed: **Sep. 5, 2007**

(51) **LOC (9) Cl.** ..... **08-05**

(52) **U.S. Cl.** ..... **D8/359; D8/358**

(58) **Field of Classification Search** ..... D8/105,  
D8/107, 333, 349, 354, 356, 358, 367, 373,  
D8/382, 383, 394-396; D23/261; D26/38;  
24/197, 561; 174/153 G; 242/400.1, 405.1,  
242/405.2, 600, 916; 248/65, 74.1-74.4,  
248/214, 215, 229.26, 201, 302, 204, 316.7,  
248/316.8; 439/501; D34/38; 108/57.25

See application file for complete search history.

(56) **References Cited**

**U.S. PATENT DOCUMENTS**

4,137,939 A 2/1979 Chow  
4,506,698 A 3/1985 Garcia et al.  
D338,610 S \* 8/1993 Johansson ..... D8/358  
D389,727 S \* 1/1998 Austin et al. .... D8/358

5,934,598 A 8/1999 Kovacik et al.  
6,604,543 B1 8/2003 Guo  
D483,248 S 12/2003 Roman  
6,851,640 B2 2/2005 Massaro  
6,889,701 B2 5/2005 Kovacik et al.  
6,942,172 B2 9/2005 Thomas  
D563,773 S \* 3/2008 Pitcher et al. .... D8/358

\* cited by examiner

*Primary Examiner*—Susan B Hattan

(74) *Attorney, Agent, or Firm*—Greer, Burns & Crain, Ltd.

(57) **CLAIM**

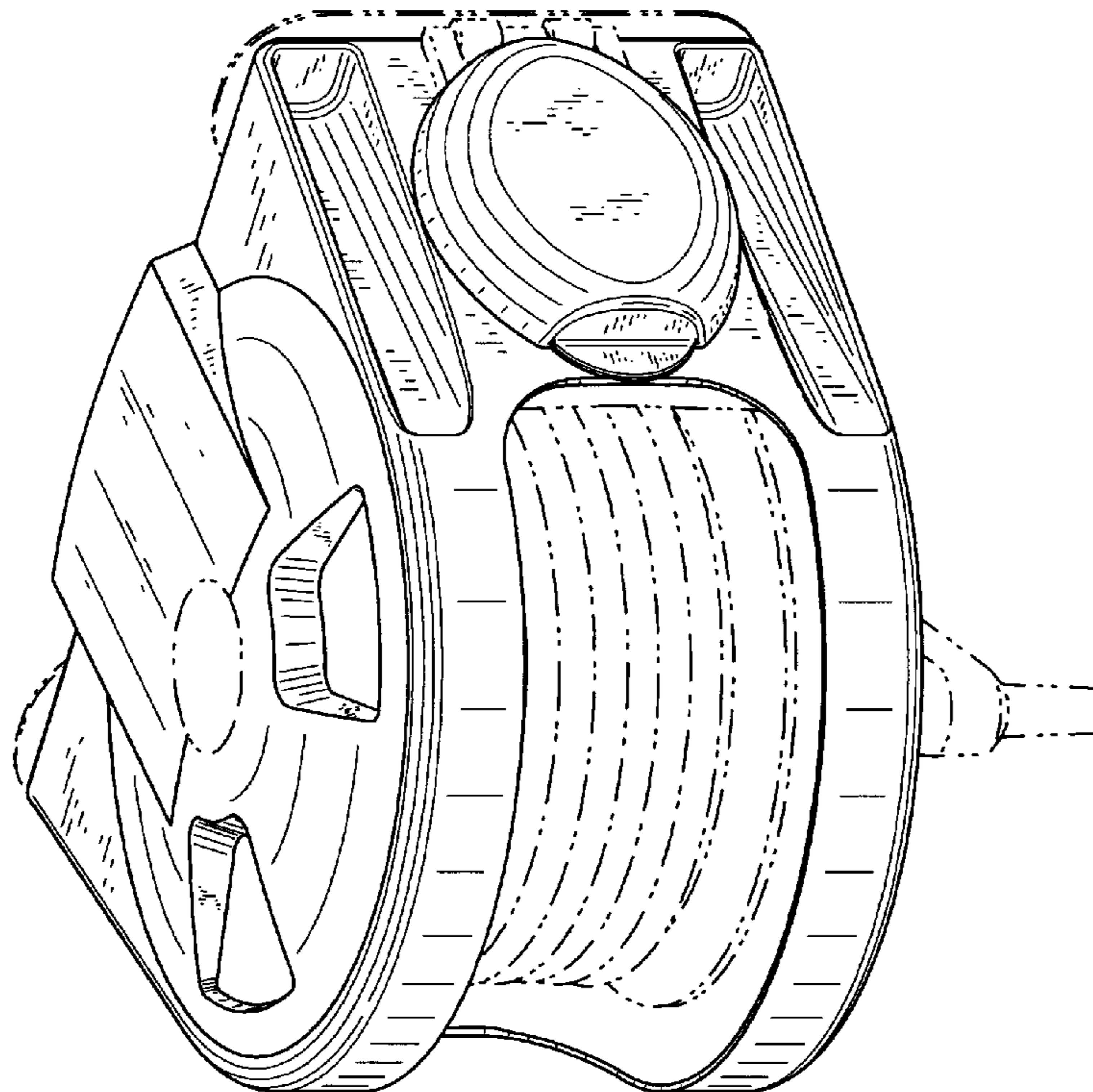
The ornamental design for a hose reel, as shown and described.

**DESCRIPTION**

FIG. 1 is a front perspective view of the present hose reel;  
FIG. 2 is a front view thereof;  
FIG. 3 is a right side view thereof;  
FIG. 4 is a rear view thereof;  
FIG. 5 is a left side view thereof;  
FIG. 6 is a top view thereof; and,  
FIG. 7 is a bottom view thereof.

The broken line showing of FIGS. 1-7 is for illustrative purposes only and forms no part of the claimed design or a specified embodiment thereof.

**1 Claim, 4 Drawing Sheets**



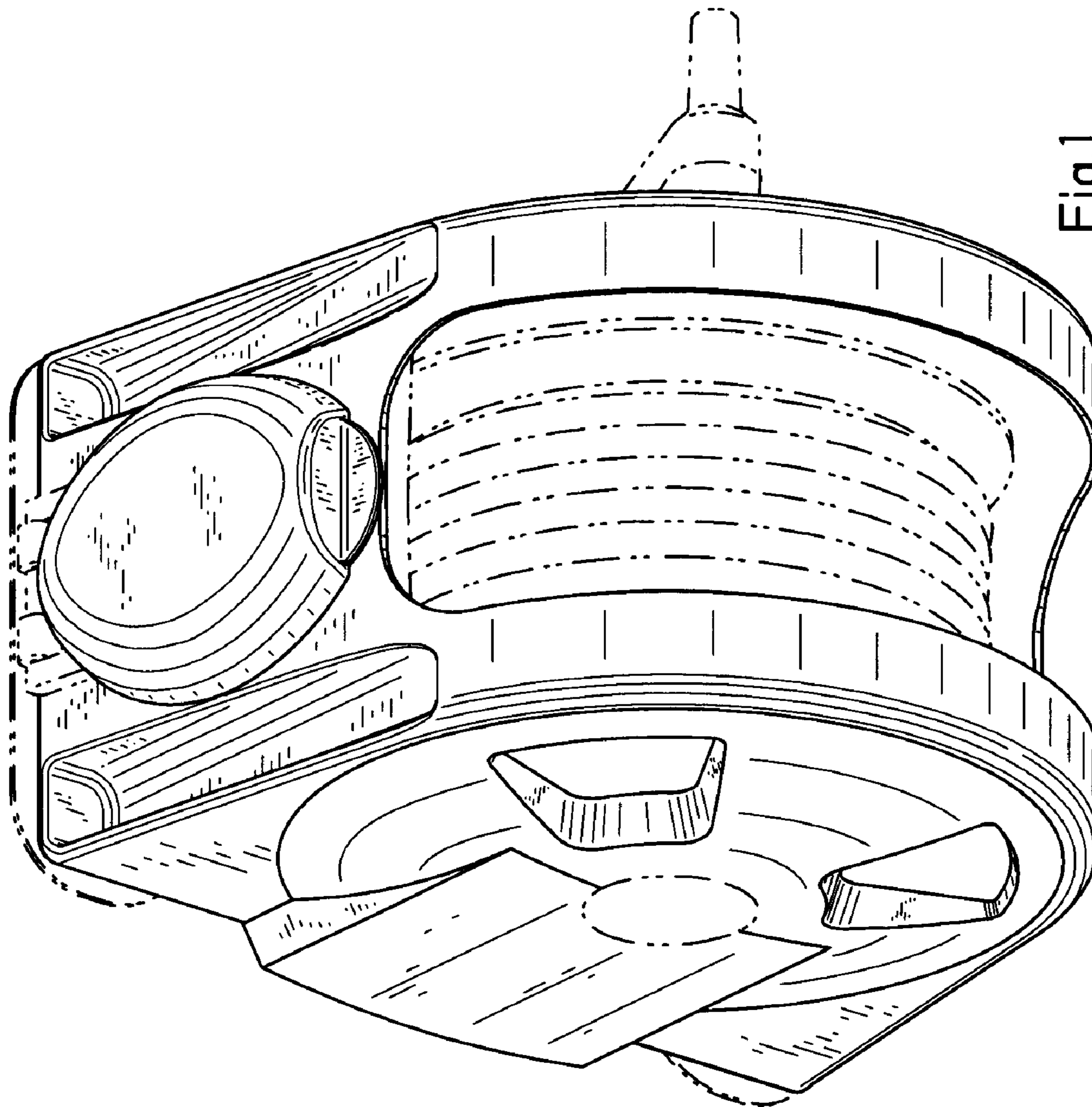


Fig. 1

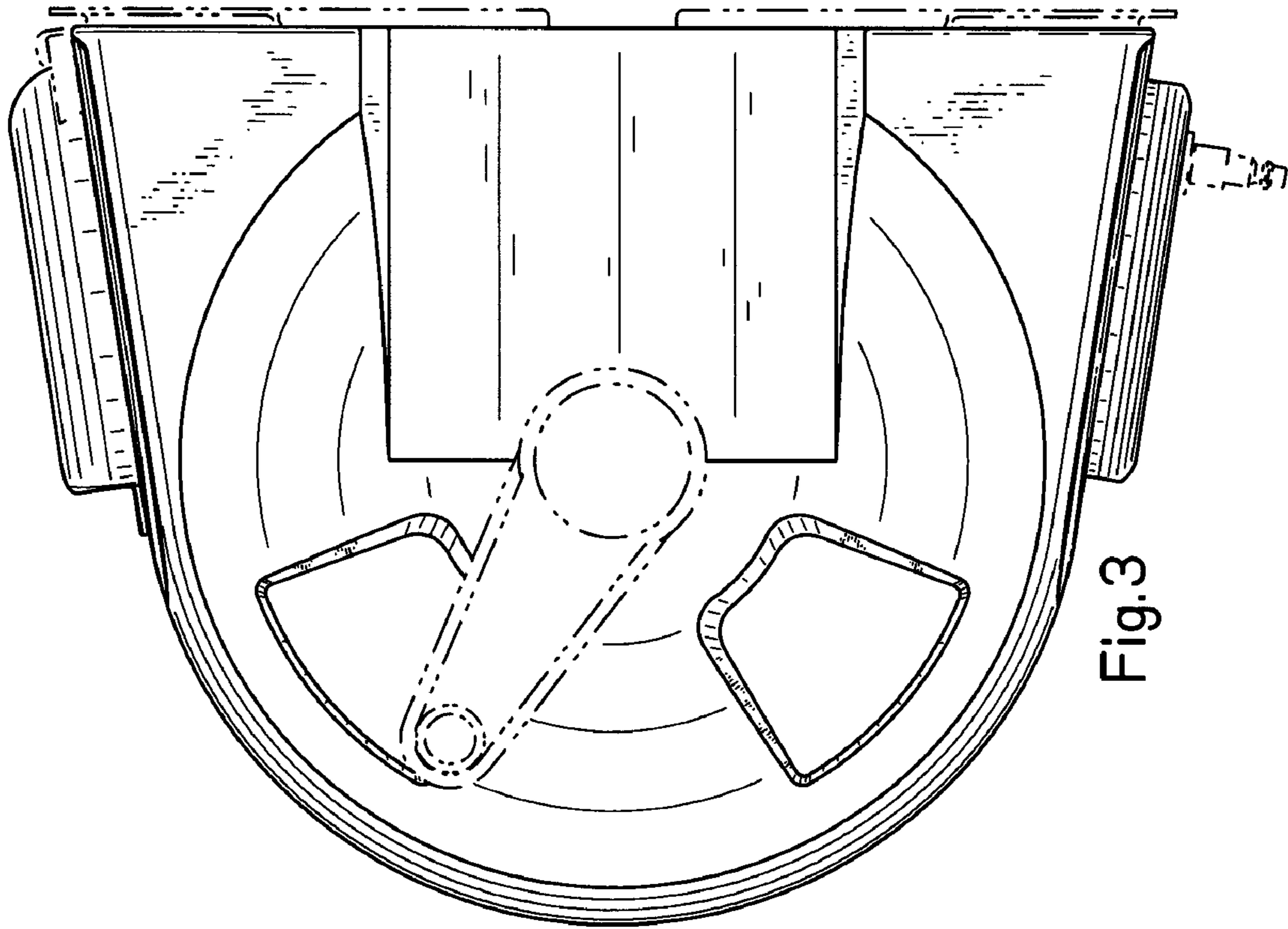


Fig.3

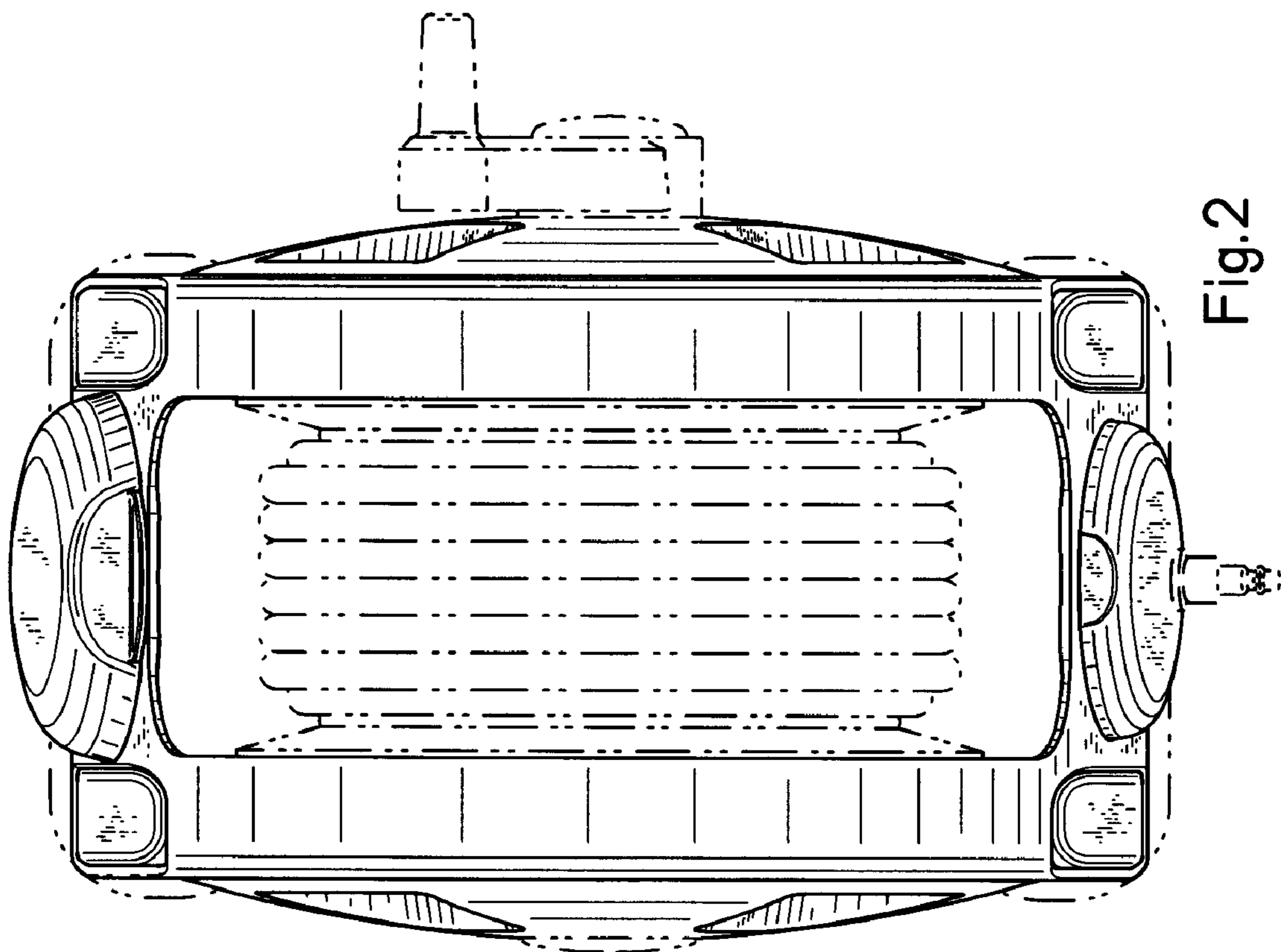


Fig.2

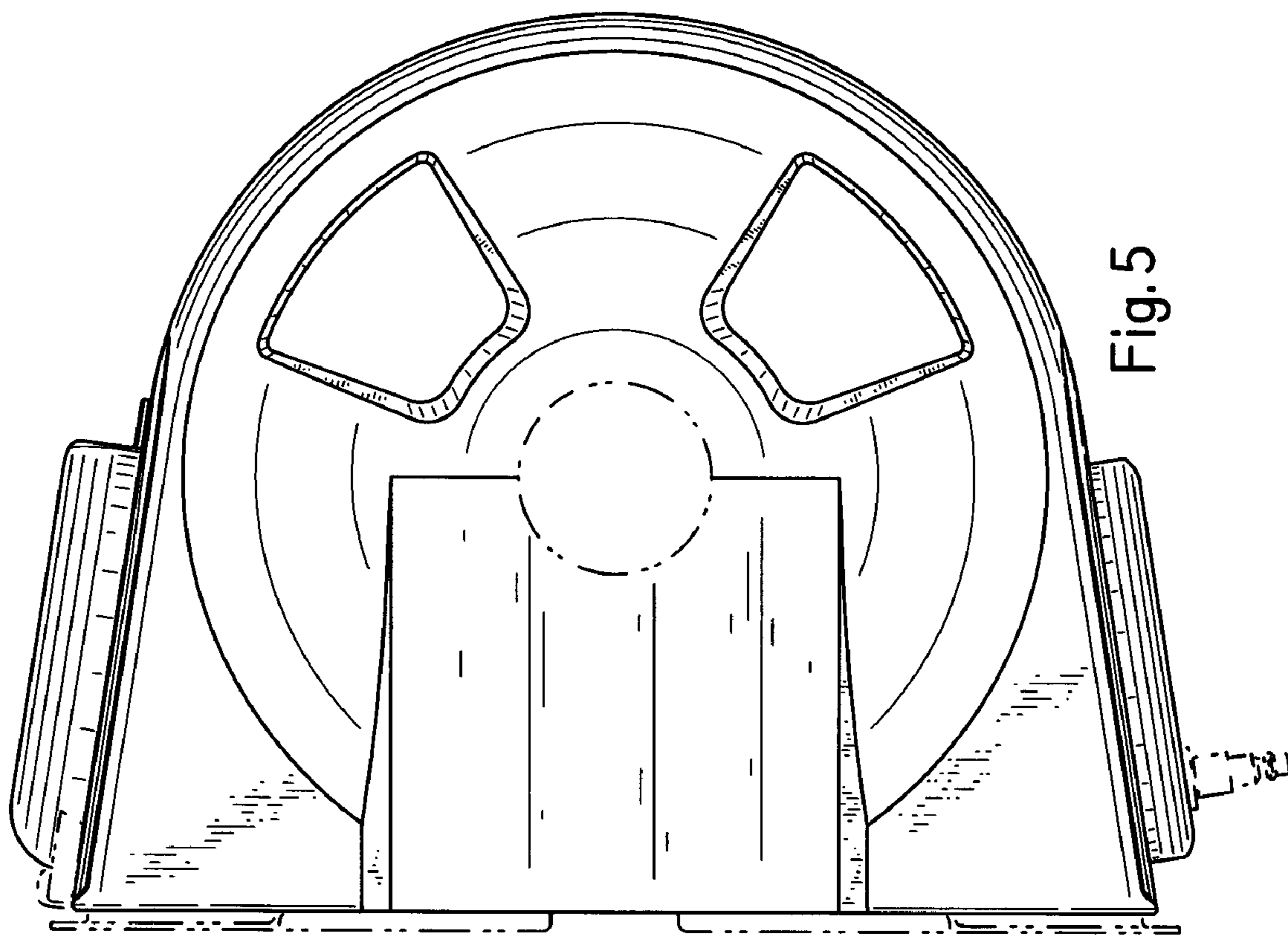


Fig. 5

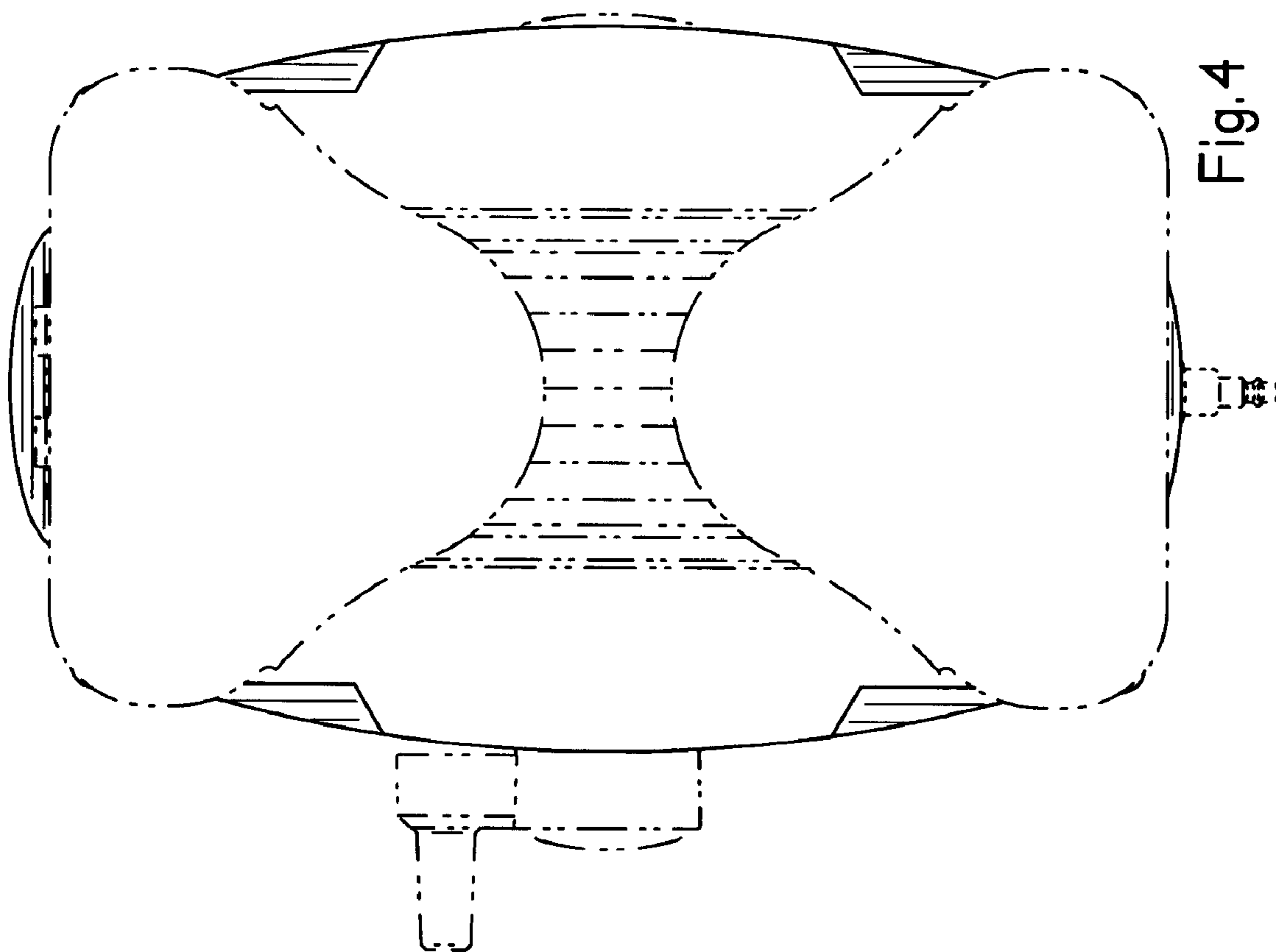


Fig. 4

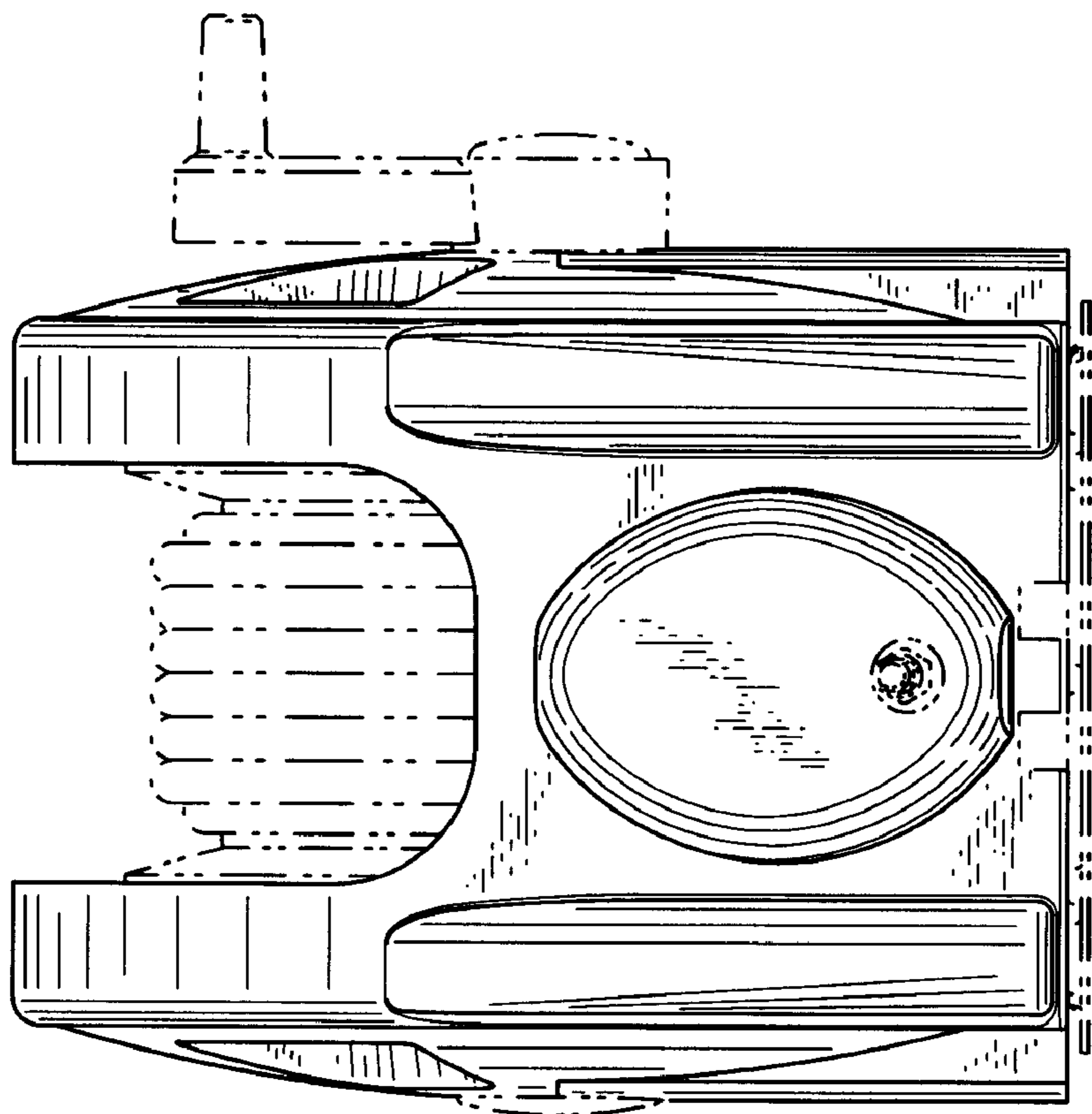


Fig. 7

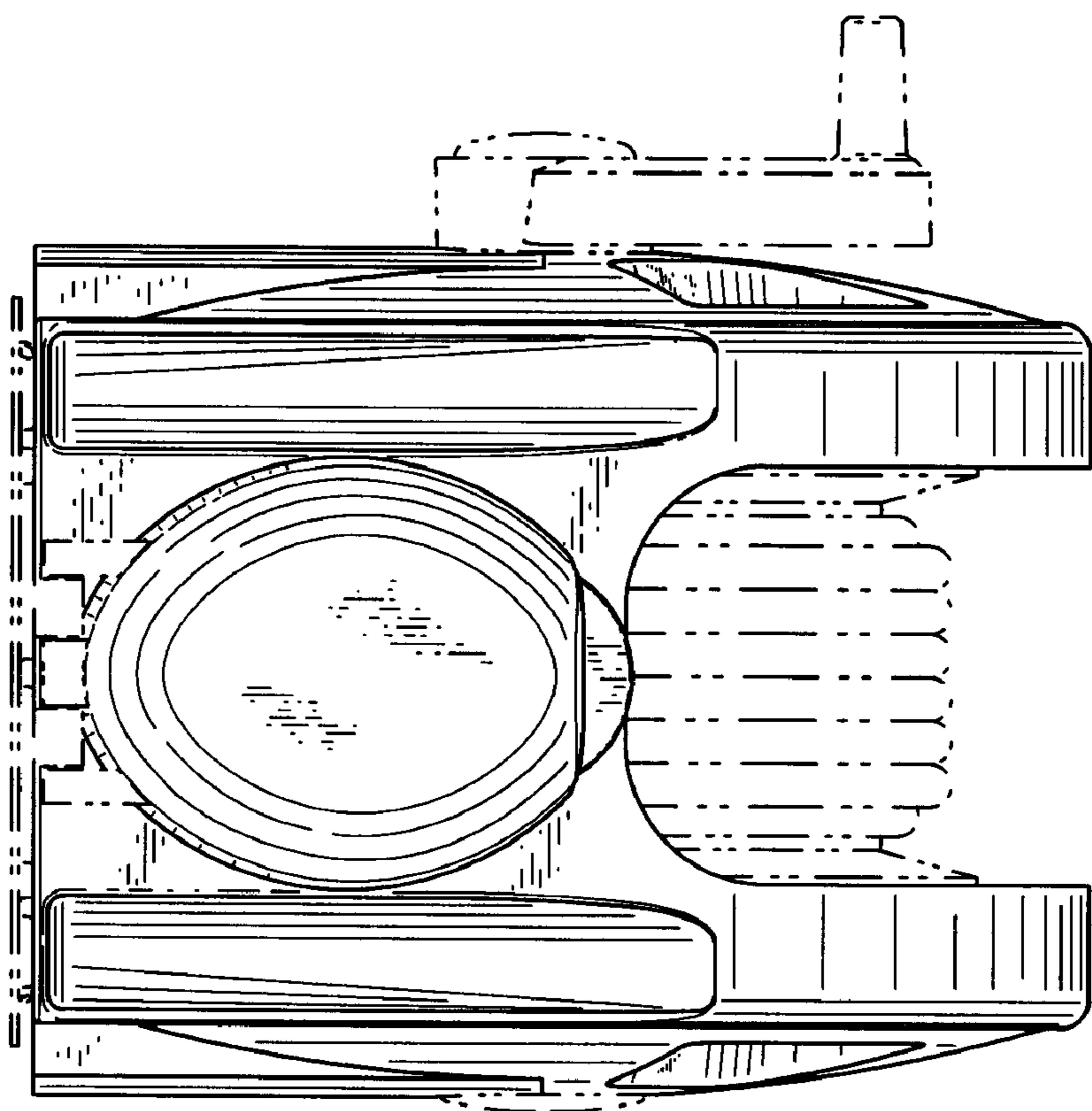


Fig. 6