



US00D589328S

(12) **United States Design Patent**
Edge

(10) **Patent No.:** **US D589,328 S**
(45) **Date of Patent:** **** Mar. 31, 2009**

(54) **EXTENSION CORD COUPLER**

(76) Inventor: **Richard A. Edge**, P.O. Box 25092,
Christiansted, St. Croix, VI (US) 00824

(**) Term: **14 Years**

(21) Appl. No.: **29/307,779**

(22) Filed: **May 12, 2008**

(51) **LOC (9) Cl.** **08-05**

(52) **U.S. Cl.** **D8/356**

(58) **Field of Classification Search** D8/105,
D8/107, 333, 349, 354, 356, 358, 367, 373,
D8/382, 383, 394-396, 400; D13/155, 184;
D26/76; 24/18, 197, 561; 174/68.3, 101,
174/153 G, 650, 656; 242/400.1, 405.1,
242/405.2, 600, 603; 248/65, 74.1-74.4,
248/201, 214, 215, 229.26, 302, 304, 316.7,
248/316.8; 439/131, 135, 142, 367, 369,
439/371, 472, 501, 535

See application file for complete search history.

(56) **References Cited**

U.S. PATENT DOCUMENTS

- 2,892,013 A * 6/1959 Gomberg 174/153 G
- 3,014,194 A 12/1961 Berglund
- 3,048,810 A * 8/1962 Steen 439/369
- 3,059,209 A * 10/1962 Bird 439/369
- 4,143,934 A 3/1979 Siebert
- 4,145,105 A 3/1979 Dobson
- 4,643,505 A 2/1987 House et al.
- D296,779 S 7/1988 Watson
- D298,215 S * 10/1988 Davis D8/373
- 4,869,683 A 9/1989 Nelson
- 4,927,377 A * 5/1990 Bach et al. 439/367
- D324,744 S * 3/1992 Rommerdale D28/62
- 5,133,671 A * 7/1992 Boghosian 439/371
- 5,259,782 A * 11/1993 Giffin 439/367
- 5,584,720 A 12/1996 Elswick
- 5,713,753 A * 2/1998 Bayer et al. 439/369
- 5,755,588 A * 5/1998 Sweatman et al. 439/369
- 5,826,531 A * 10/1998 Havnaer, Jr. 114/218

- D406,171 S * 2/1999 Wolff D19/65
- D407,377 S * 3/1999 Landerholm et al. D13/154
- 5,913,692 A * 6/1999 Targett 439/369
- D425,125 S * 5/2000 Leins D19/65
- 6,080,004 A 6/2000 Kovacik et al.
- 6,149,445 A * 11/2000 Daddono 439/133
- D447,403 S * 9/2001 Griese et al. D8/107
- D456,692 S * 5/2002 Epstein D8/356
- D464,325 S * 10/2002 Peters et al. D13/156
- D477,776 S * 7/2003 Pontaoe D8/396
- D509,803 S * 9/2005 Titchener D13/156
- 6,997,734 B1 2/2006 McQuirter
- 7,001,202 B2 2/2006 Robbins
- 7,032,854 B2 * 4/2006 Marsden 242/388.1
- D531,014 S * 10/2006 Arakawa D8/383
- D552,972 S * 10/2007 Peng D8/356
- 2005/0079751 A1 4/2005 Decker
- 2005/0092861 A1 * 5/2005 Marsden 242/388

FOREIGN PATENT DOCUMENTS

SE EC-000442744-0001 * 12/2005

* cited by examiner

Primary Examiner—T. Chase Nelson

Assistant Examiner—Karen Acker

(74) *Attorney, Agent, or Firm*—Richard L. Miller

(57) **CLAIM**

The ornamental design for the extension cord coupler, as shown and described.

DESCRIPTION

FIG. 1 is a right side elevational view of an extension cord coupler showing my new design;

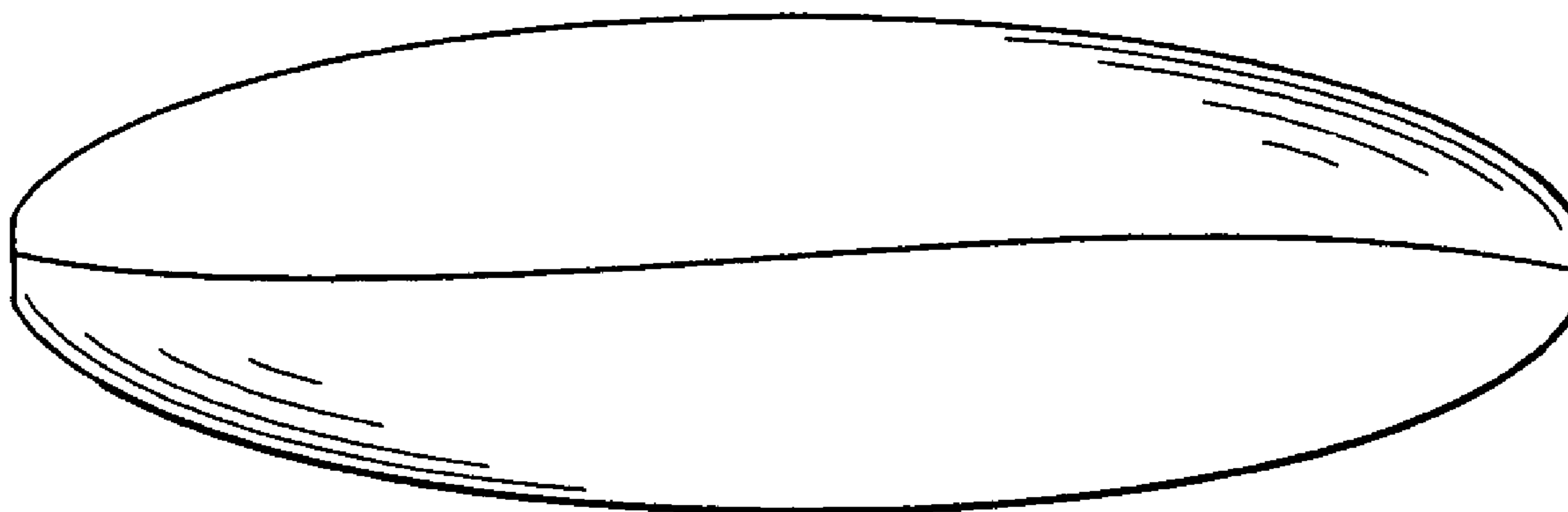
FIG. 2 is a left side elevational view thereof;

FIG. 3 is an end elevational view, the opposite end being a mirror image thereof;

FIG. 4 is a cross-sectional view taken on line 4-4 of FIG. 3; and,

FIG. 5 is a cross-sectional view taken on line 5-5 of FIG. 1.

1 Claim, 1 Drawing Sheet



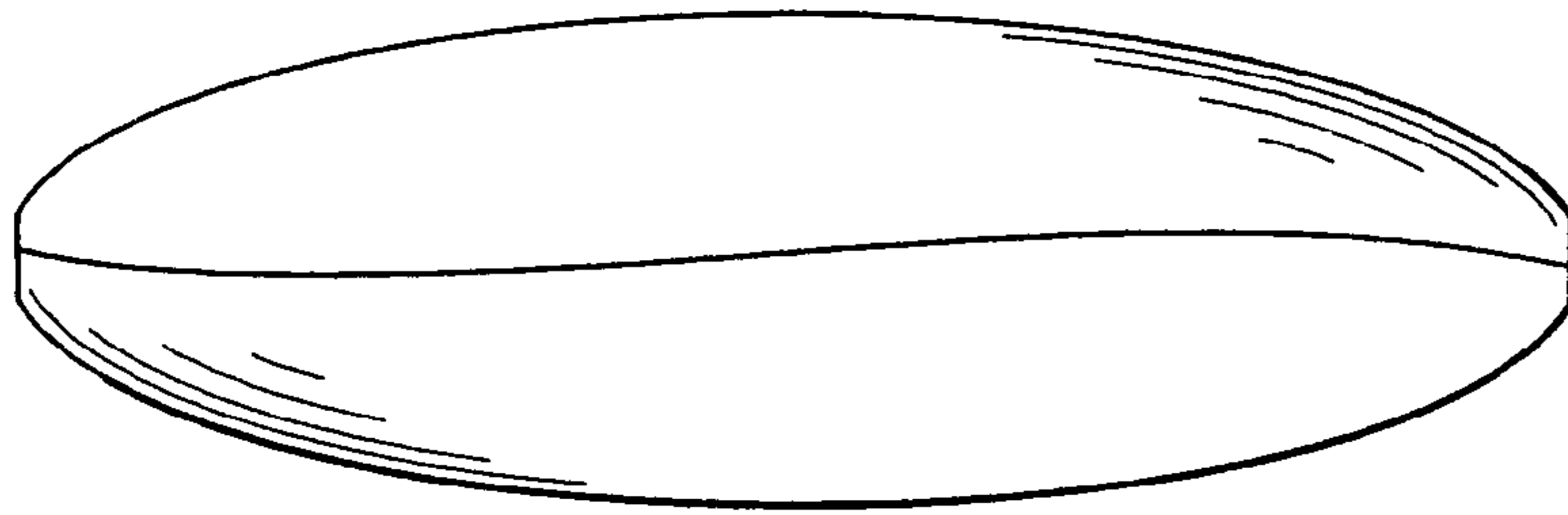


FIG. 1

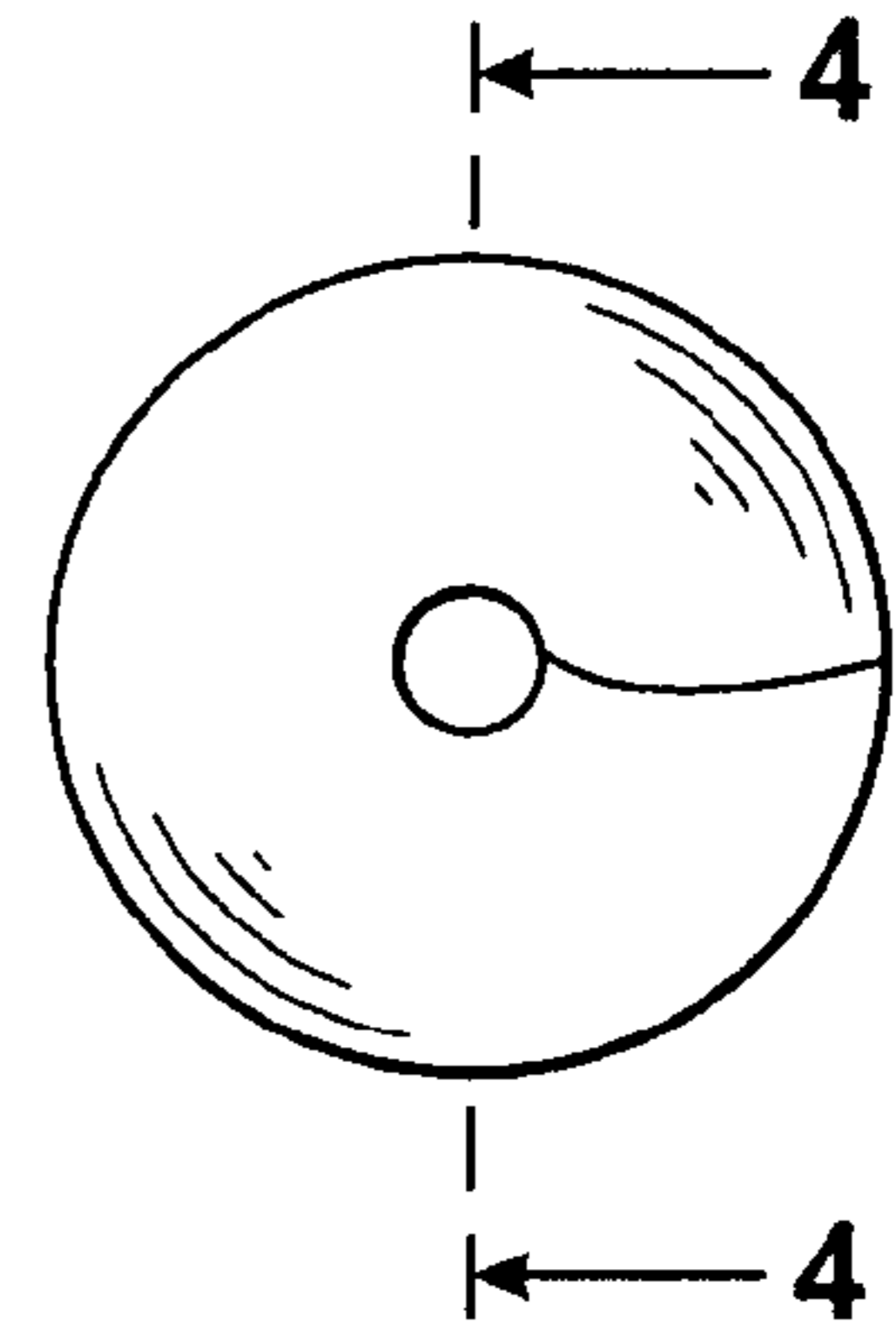


FIG. 3

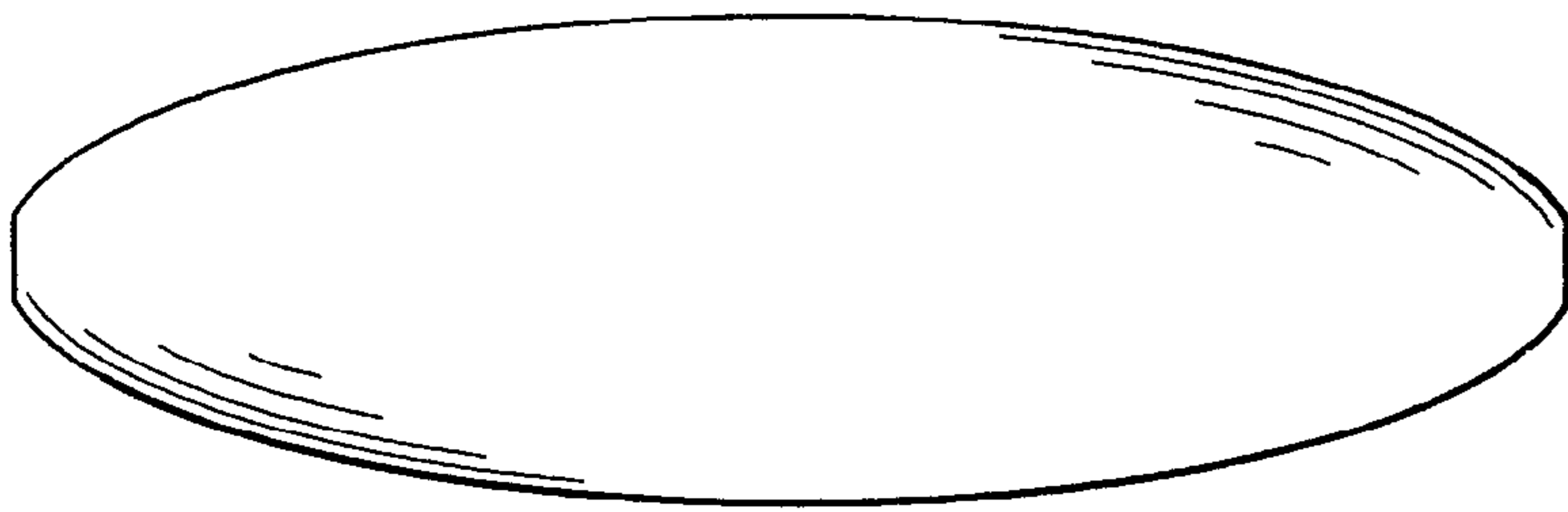


FIG. 2

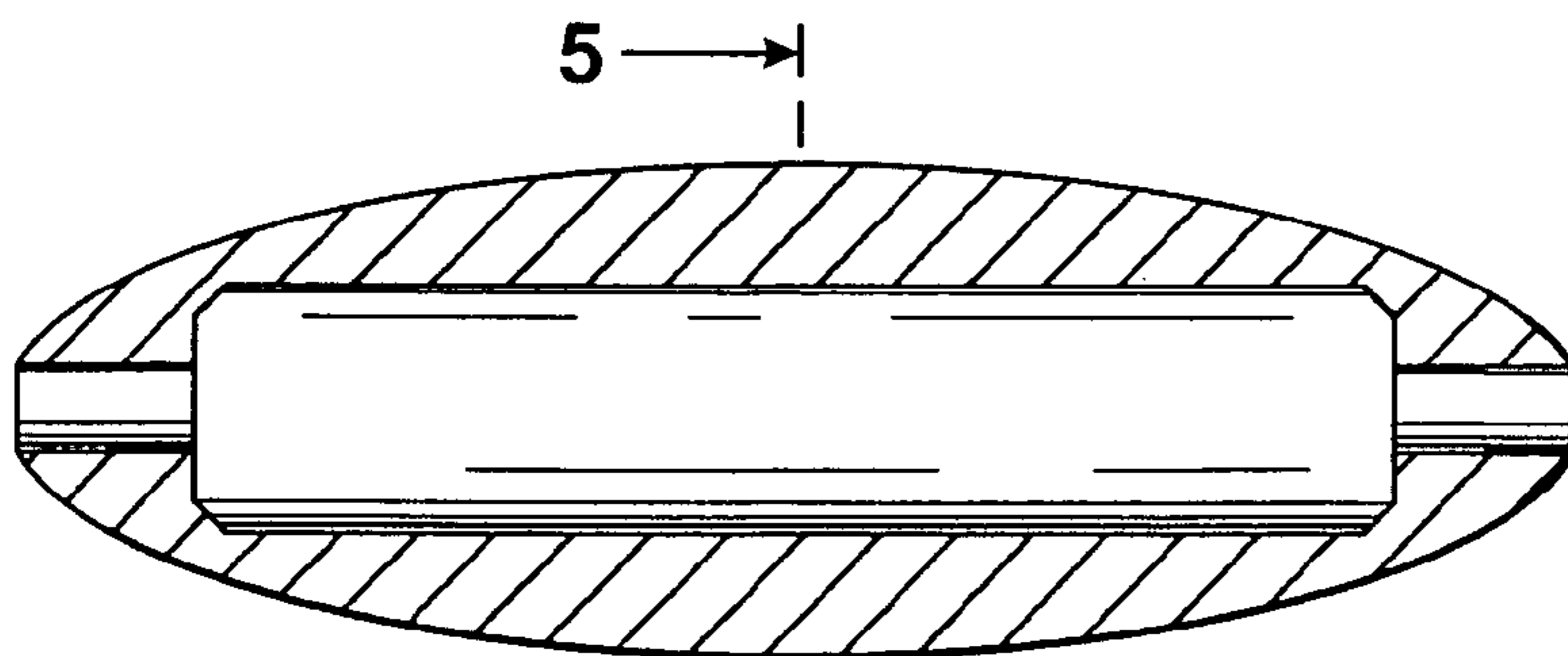


FIG. 4

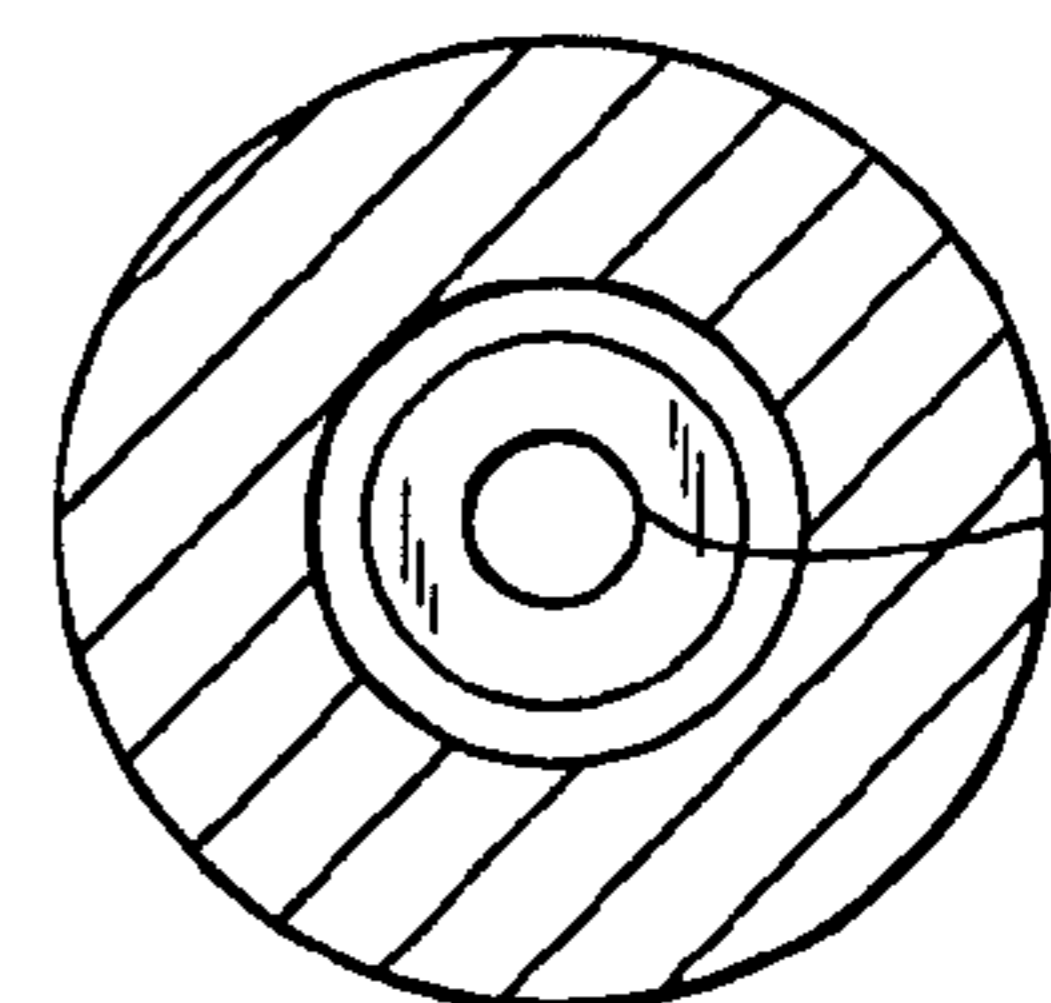


FIG. 5