



US00D589323S

(12) **United States Design Patent**
Hanes

(10) **Patent No.:** **US D589,323 S**
(45) **Date of Patent:** **** Mar. 31, 2009**

(54) **CABINET KNOB**

(76) Inventor: **Wendy Hanes**, 711 Palmetto Rd.,
Benton, LA (US) 71006

(**) Term: **14 Years**

(21) Appl. No.: **29/291,320**

(22) Filed: **Aug. 23, 2007**

(51) **LOC (9) Cl.** **08-06**

(52) **U.S. Cl.** **D8/307; D8/305**

(58) **Field of Classification Search** D8/300,
D8/305, DIG. 1; D6/633; D7/393; D13/174;
D23/250, 252; 16/110.1, DIG. 19, 414, 415;
292/336.3; 24/265 B; D28/41, 42

See application file for complete search history.

(56) **References Cited**

U.S. PATENT DOCUMENTS

843,188	A *	2/1907	Wilde	59/79.3
2,510,695	A *	6/1950	Guarnieri	24/265 B
D256,568	S *	8/1980	Young	D11/25
D321,638	S *	11/1991	Kohler et al.	D8/307
5,271,984	A *	12/1993	Johnson et al.	428/102
D370,613	S *	6/1996	Ainscough	D8/307
D370,614	S *	6/1996	Ainscough	D8/307

D525,106	S *	7/2006	Morris	D8/307
D540,142	S *	4/2007	Rexach	D8/307
D571,187	S *	6/2008	Garnett	D8/333

* cited by examiner

Primary Examiner—Paula Greene

(57) **CLAIM**

The ornamental design for a cabinet knob, as shown and described.

DESCRIPTION

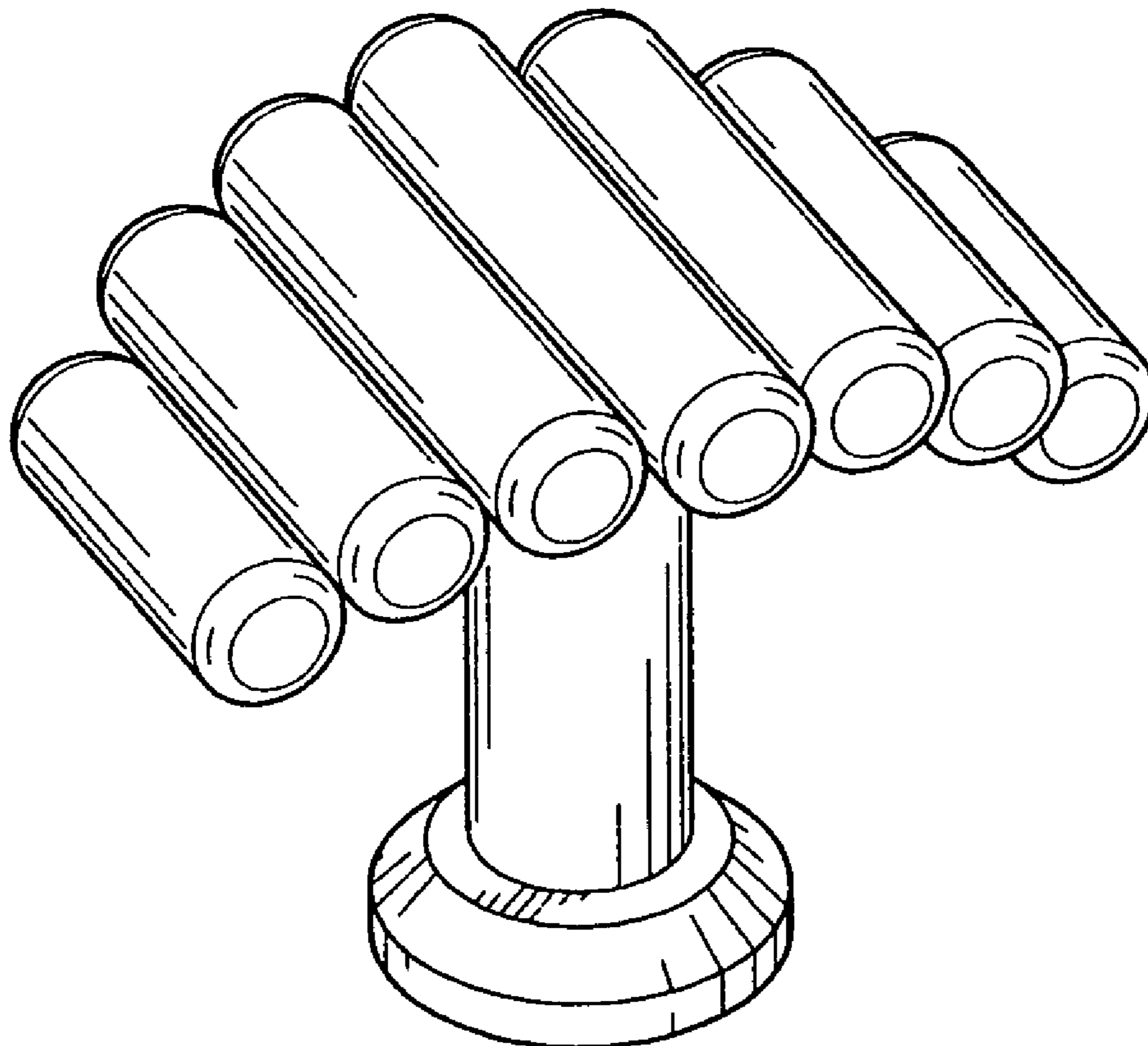
FIG. 1 is an elevation view of the cabinet knob in accordance with the present invention, the opposite elevation is a mirror image.

FIG. 2 is an elevation view of the cabinet knob in accordance with the present invention, the opposite elevation is a mirror image.

FIG. 3 is a top plan view of the cabinet knob in accordance with the present invention, the undisclosed bottom is not part of the claimed design; and,

FIG. 4 is an isometric view of the cabinet knob in accordance with the present invention.

1 Claim, 1 Drawing Sheet



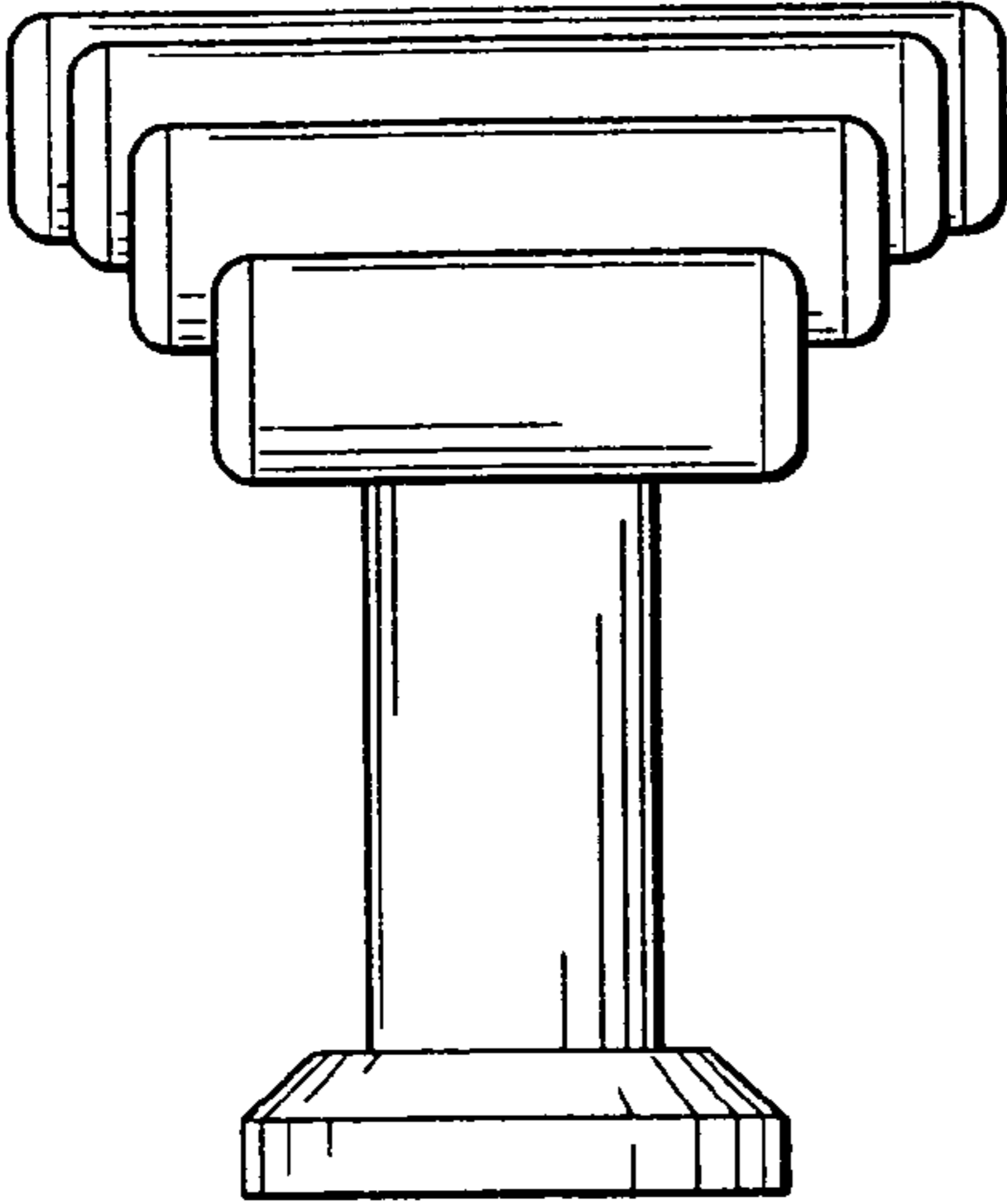


FIG. 1

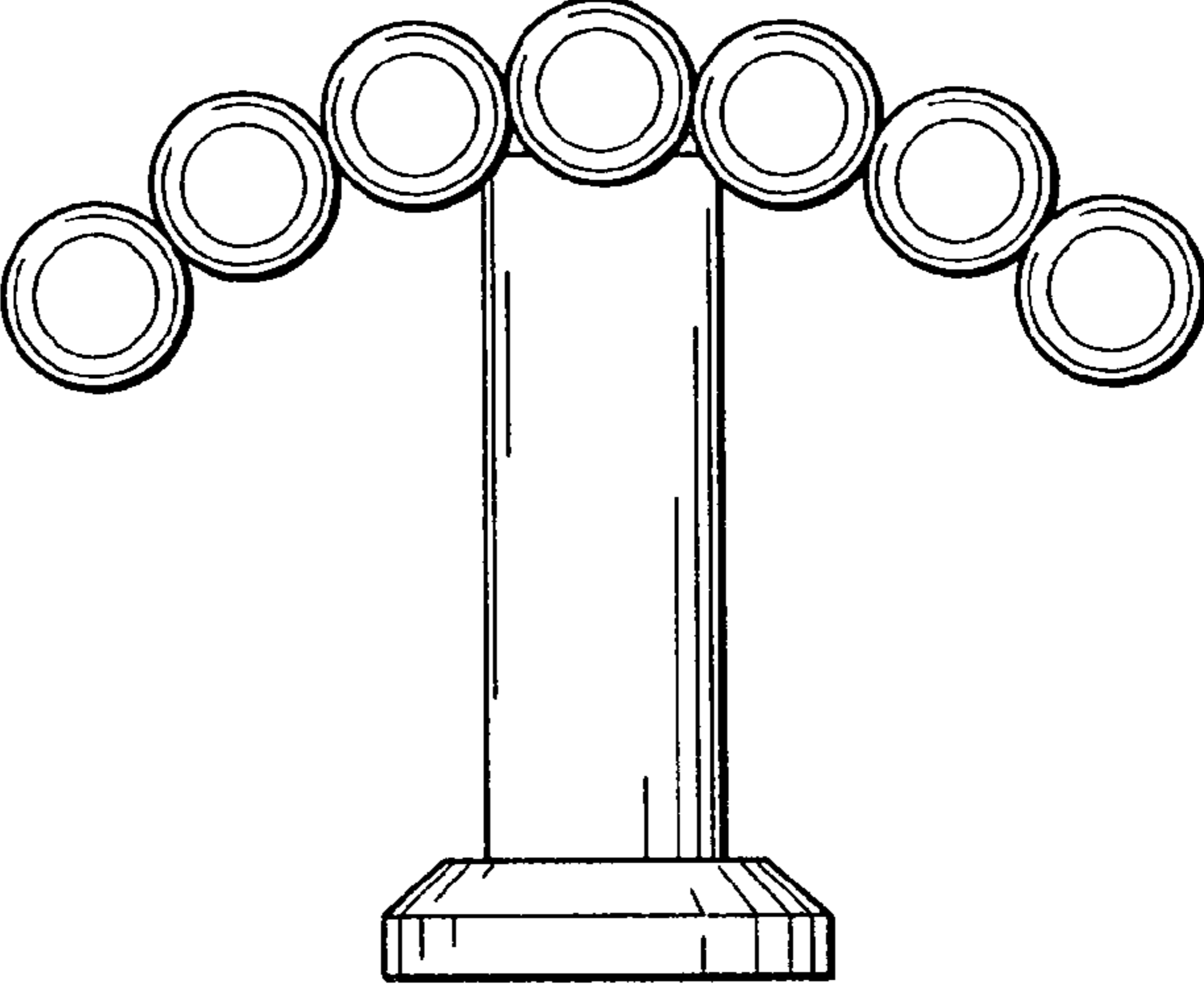


FIG. 2

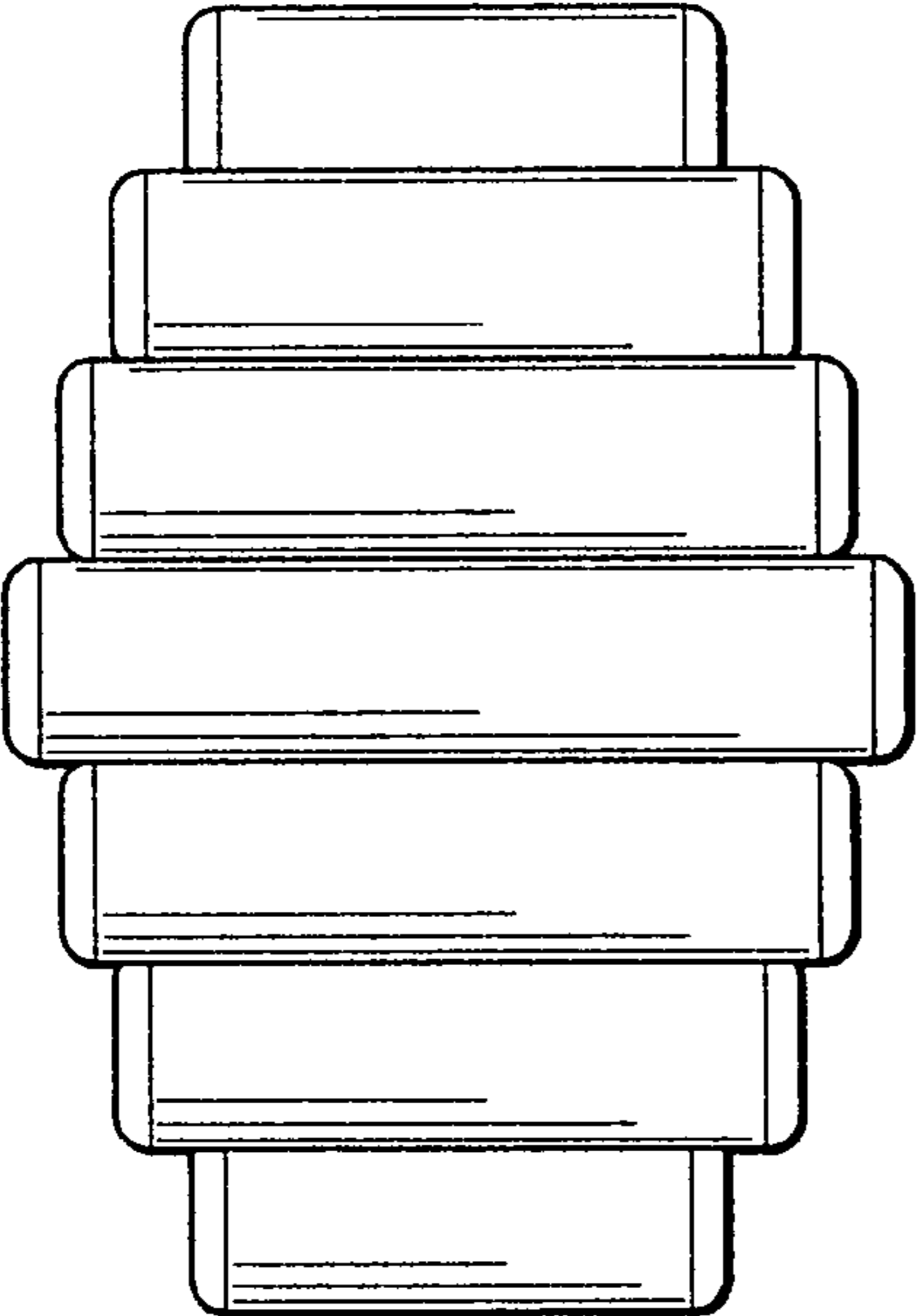


FIG. 3

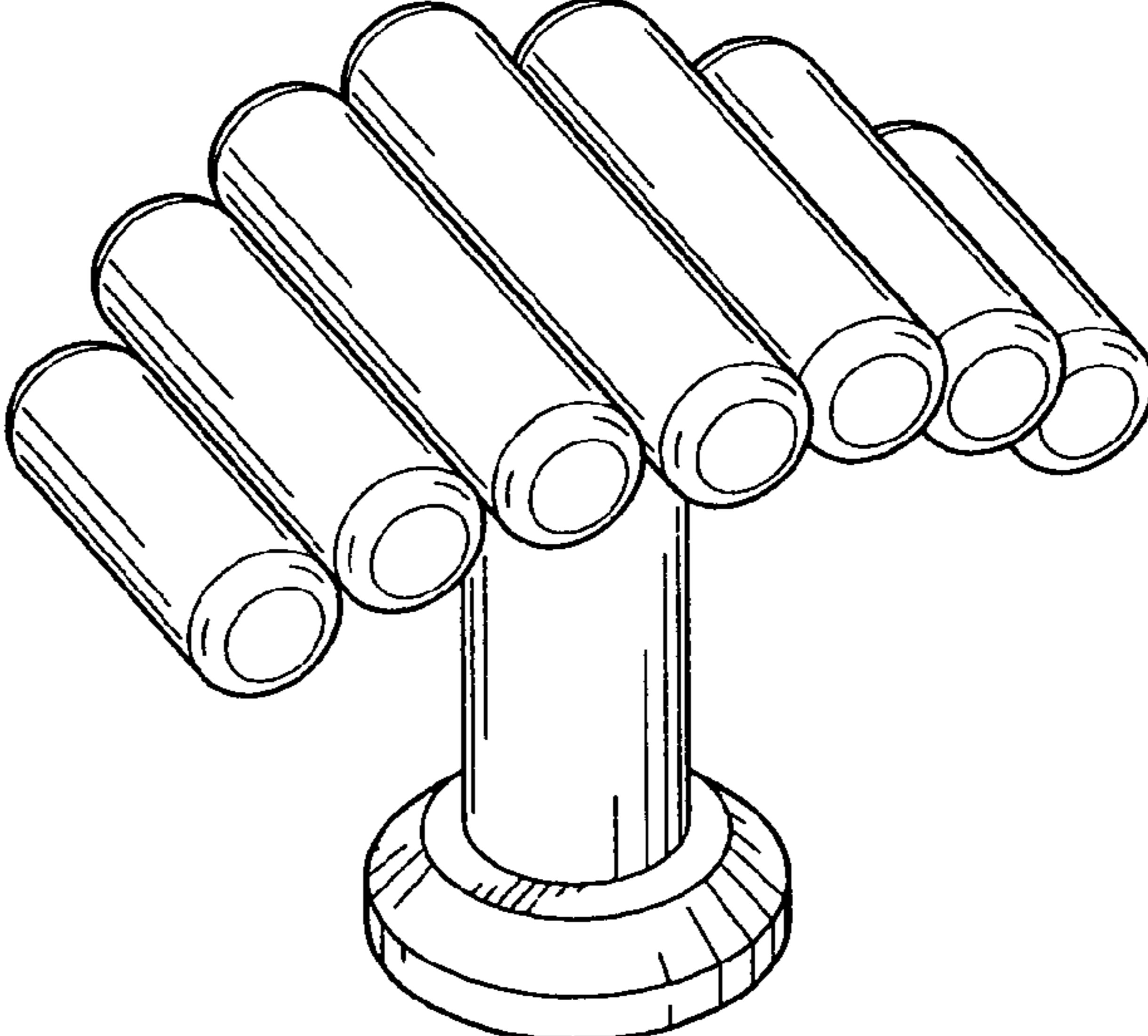


FIG. 4