



US00D589322S

(12) **United States Design Patent**
Demers et al.

(10) **Patent No.:** **US D589,322 S**
(45) **Date of Patent:** **** Mar. 31, 2009**

(54) **TOOL HANDLE**

(75) Inventors: **Brian Joseph Demers**, Huntersville, NC (US); **Joseph Allen Berlepsch**, Mooresville, NC (US)

(73) Assignee: **Lowe's Companies, Inc.**, Mooresville, NC (US)

(**) Term: **14 Years**

(21) Appl. No.: **29/249,420**

(22) Filed: **Oct. 5, 2006**

(51) **LOC (9) Cl.** **08-05**

(52) **U.S. Cl.** **D8/107**

(58) **Field of Classification Search** D7/395;
D32/49; D8/20, 21, 51, 52, 58, 68, 75, 80,
D8/82, 83, 90, 94, 95, 97, 107, 300, 303;
81/177.1, 489, 52; 16/422; D4/138
See application file for complete search history.

(56) **References Cited**

U.S. PATENT DOCUMENTS

D152,155 S * 12/1948 Jacoff D8/82F

(Continued)

FOREIGN PATENT DOCUMENTS

EM 000702089-0002 6/2007

(Continued)

OTHER PUBLICATIONS

Taiwanese Search Report for Design Application No. 096301934, dated Nov. 28, 2008.

Primary Examiner—Cathron C Brooks

Assistant Examiner—Barbara Fox

(74) *Attorney, Agent, or Firm*—Moore & Van Allen PLLC; W. Kevin Ransom

(57) **CLAIM**

The ornamental design for a tool handle, as shown and described.

DESCRIPTION

FIG. 1 is a perspective view of a first embodiment of a tool handle according to the present invention;

FIG. 2 is a plan view of the bottom side of the tool handle of FIG. 1;

FIG. 3 is an elevational view of the front side of the tool handle of FIG. 1;

FIG. 4 is an elevational view of the rear side of the tool handle of FIG. 1;

FIG. 5 is an elevational view of the right side of the tool handle of FIG. 1;

FIG. 6 is a plan view of the top side of the tool handle of FIG. 1;

FIG. 7 is an elevational view of the left side of the tool handle of FIG. 1;

FIG. 8 is a perspective view of a second embodiment of the tool handle according to the present invention;

FIG. 9 is a plan view of the top side of the tool handle of FIG. 8;

FIG. 10 is an elevational view of the right side of the tool handle of FIG. 8;

FIG. 11 is a plan view of the bottom side of the tool handle of FIG. 8;

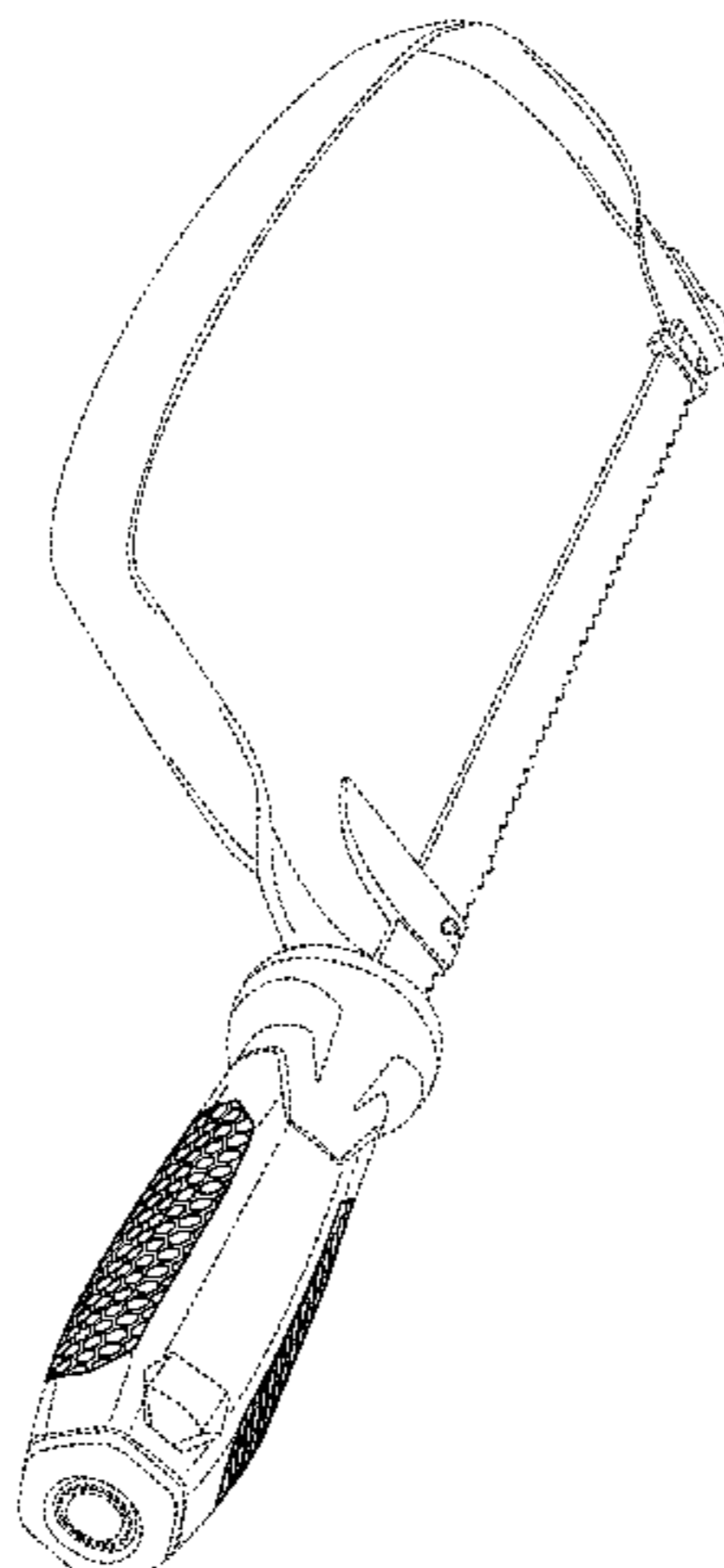
FIG. 12 is an elevational view of the left side of the tool handle of FIG. 8;

FIG. 13 is an elevational view of the rear side of the tool handle of FIG. 8; and,

FIG. 14 is an elevational view of the front side of the tool handle of FIG. 8.

The broken lines shown herein are for illustrative purposes only and form no part of the claimed design.

1 Claim, 14 Drawing Sheets



US D589,322 S

Page 2

U.S. PATENT DOCUMENTS						
				TW	144783	10/1990
D288,769	S	3/1987	Doman	TW	232614	10/1994
D288,770	S	3/1987	Doman	TW	443904	6/1999
D325,506	S	4/1992	Michas et al.	TW	391820	5/2000
D398,507	S *	9/1998	Thompson et al. D8/83	TW	405983	9/2000
D399,113	S *	10/1998	Balolia D8/99	TW	440384	6/2001
D418,731	S *	1/2000	Rowlay et al. D8/85	TW	453826	9/2001
D433,344	S	11/2000	Hsu	TW	478775	3/2002
D434,298	S *	11/2000	Izumisawa D8/68	TW	542548	7/2003
D441,269	S *	5/2001	Tsai D8/83	TW	D106079	8/2005
D442,053	S *	5/2001	Jimenez D8/95	TW	D106099	8/2005
D474,528	S	5/2003	Huang	TW	D110289	4/2006
D556,536	S *	12/2007	Aglassinger D8/107	TW	D114283	12/2006
D572,559	S	7/2008	Demers et al.			
D572,561	S	7/2008	Demers et al.			

FOREIGN PATENT DOCUMENTS

JP D1253453 10/2005 * cited by examiner

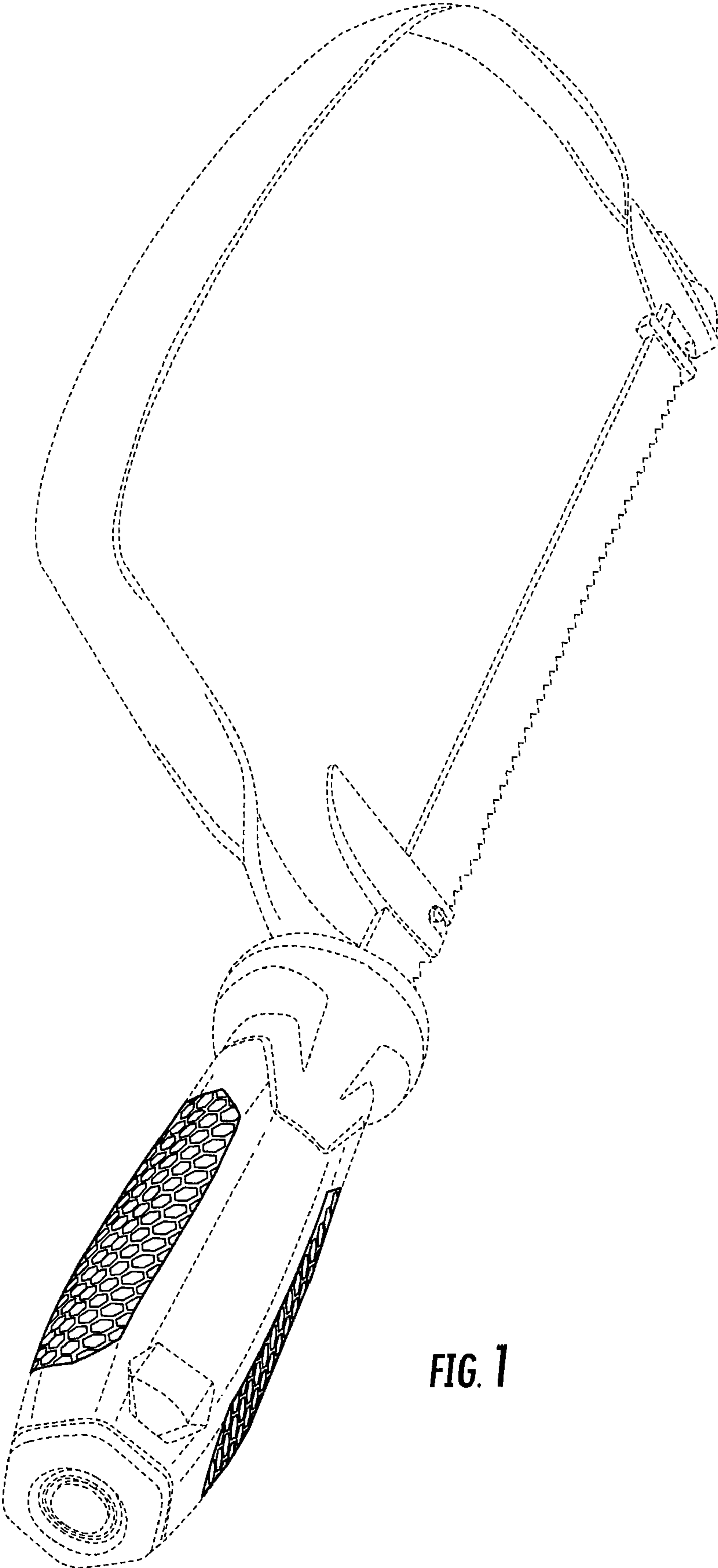


FIG. 1

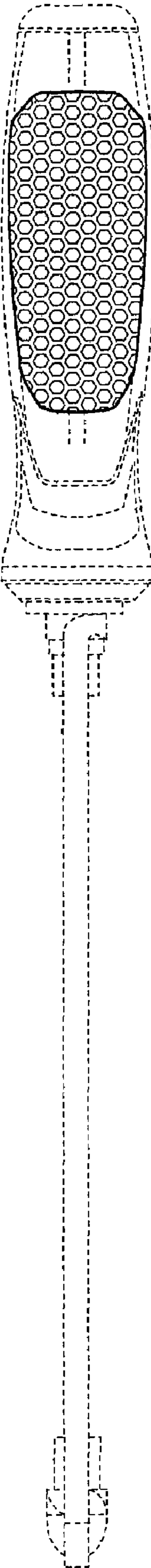


FIG. 2

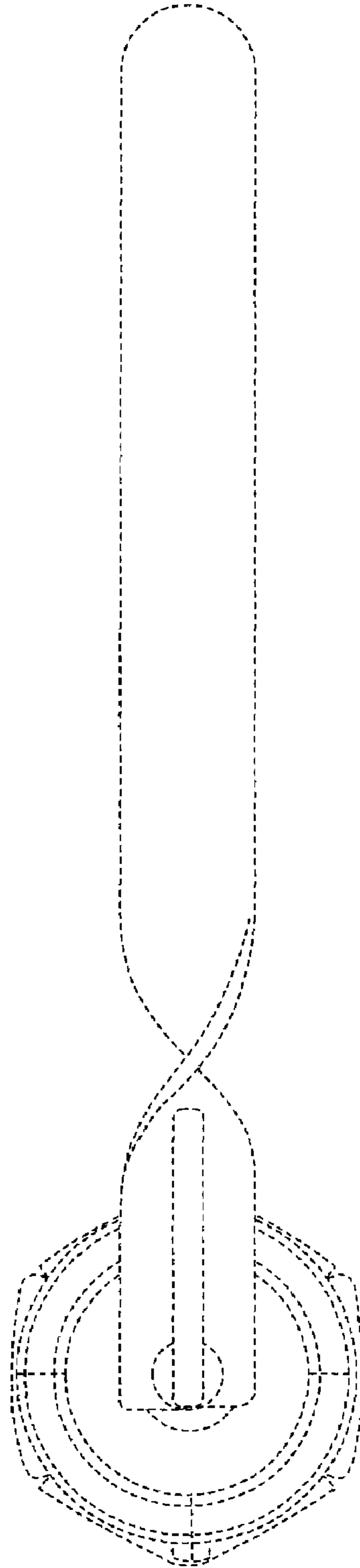


FIG. 3

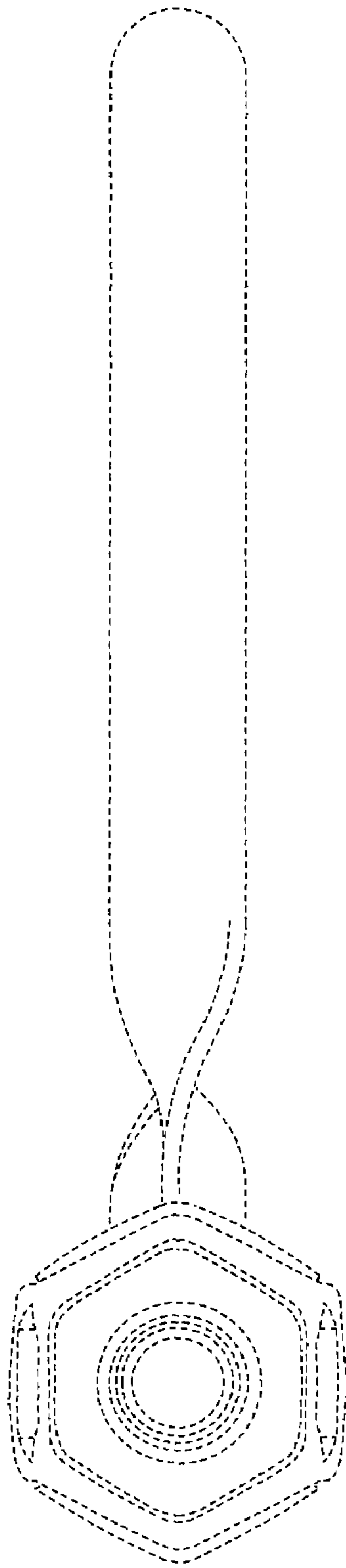


FIG. 4

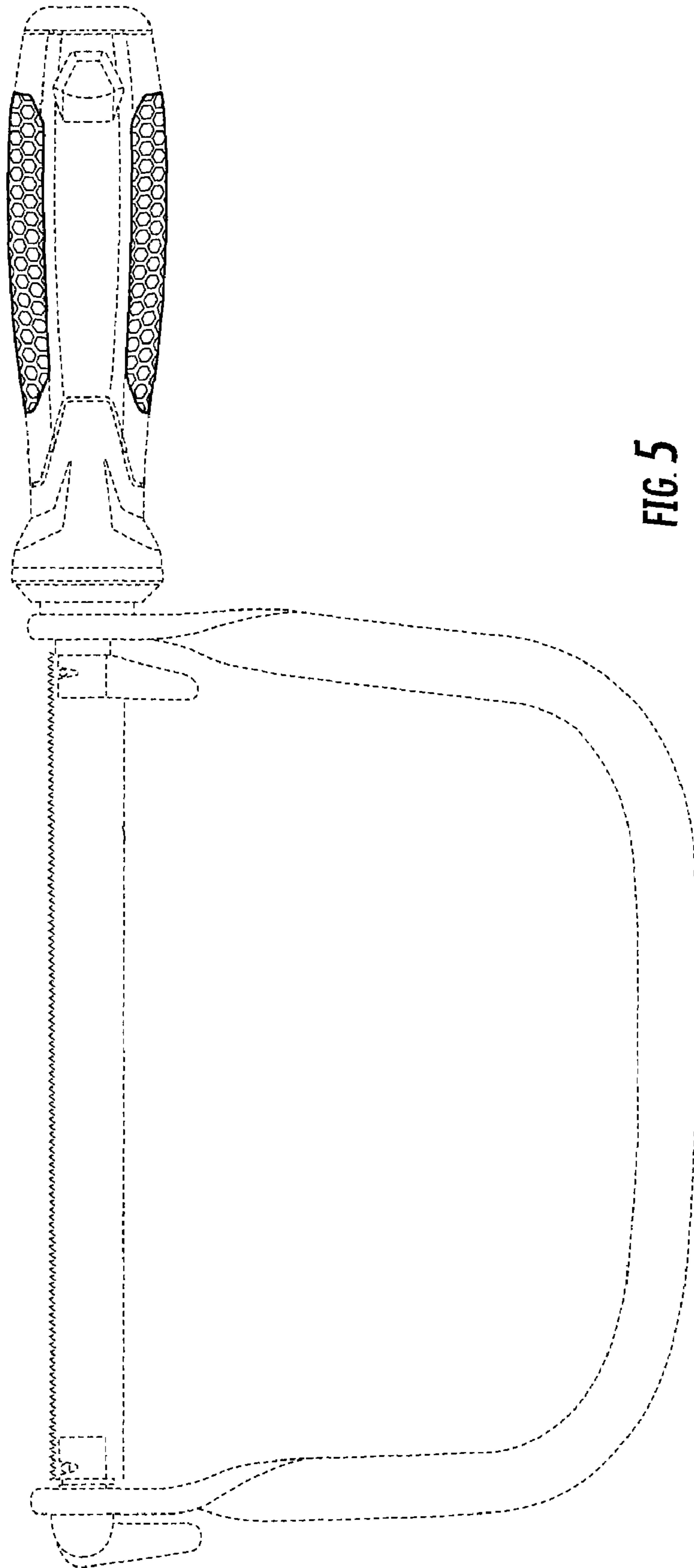


FIG. 5

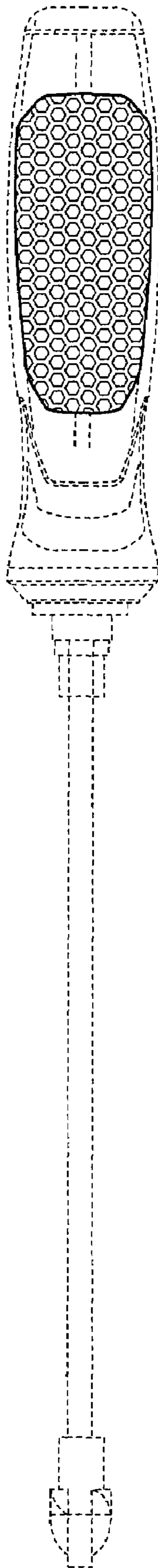


FIG. 6

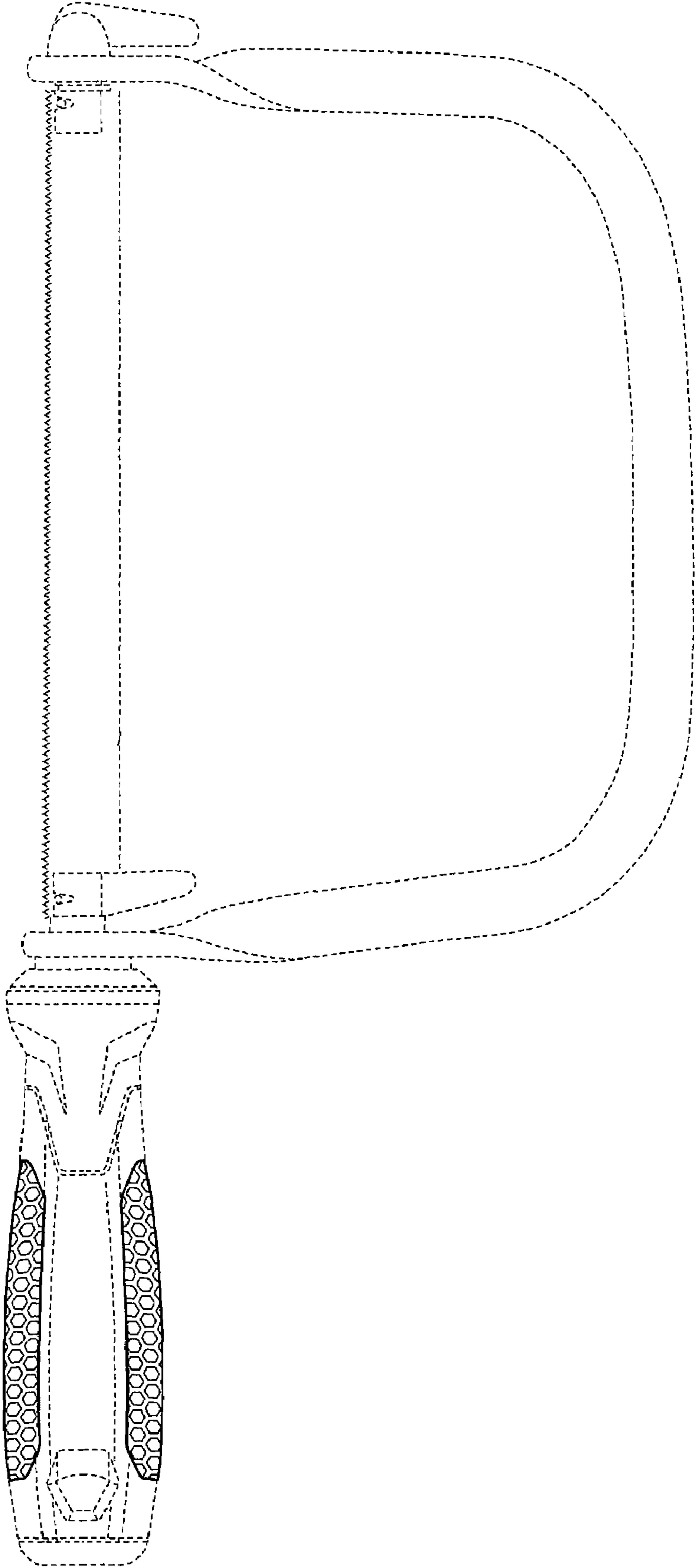


FIG. 7

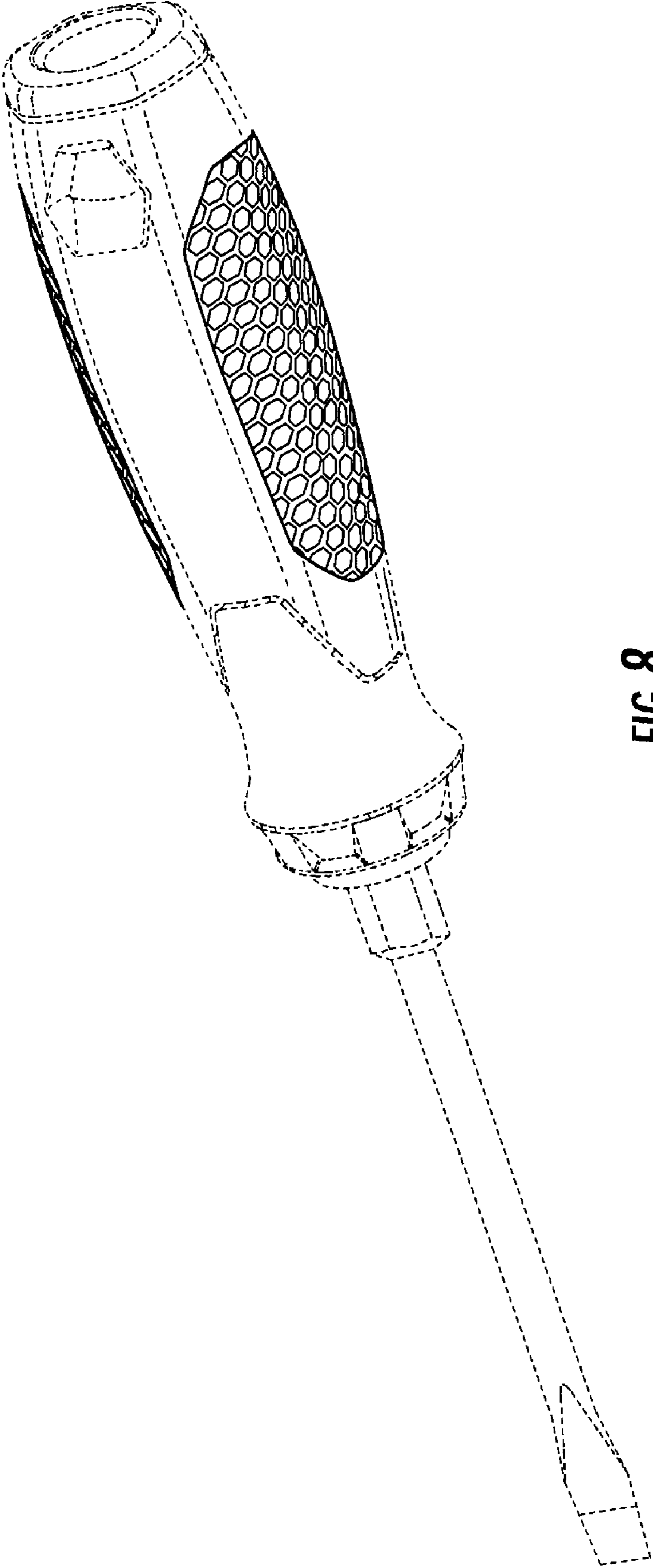


FIG. 8

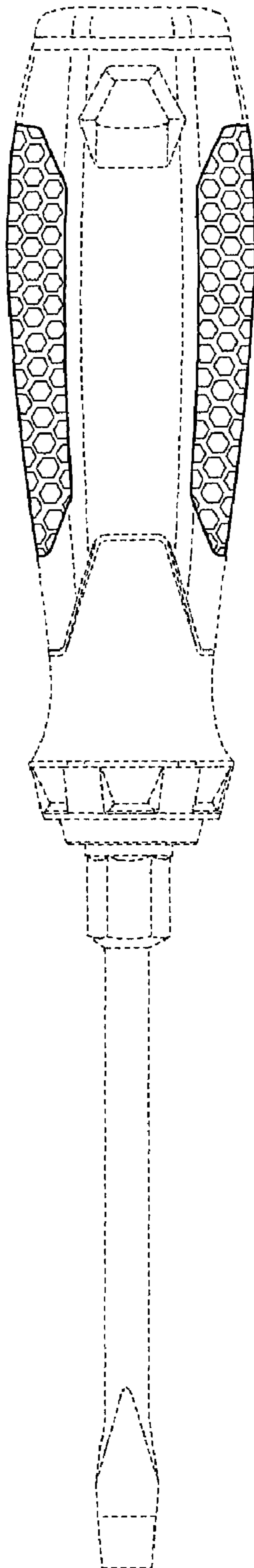


FIG. 9

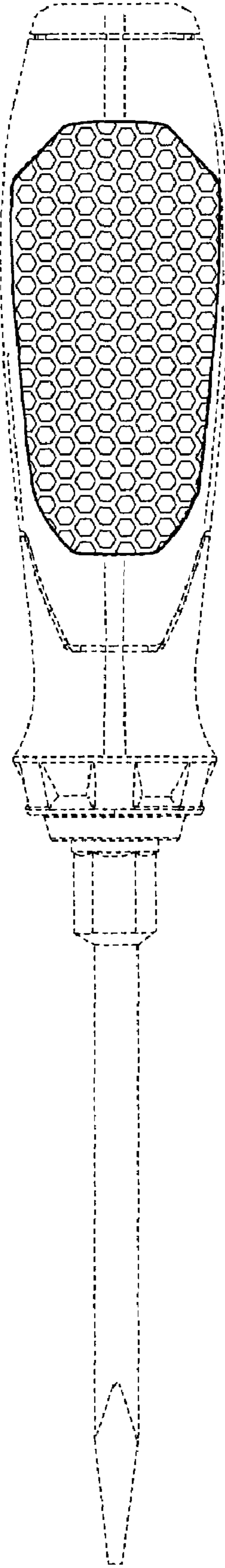


FIG. 10

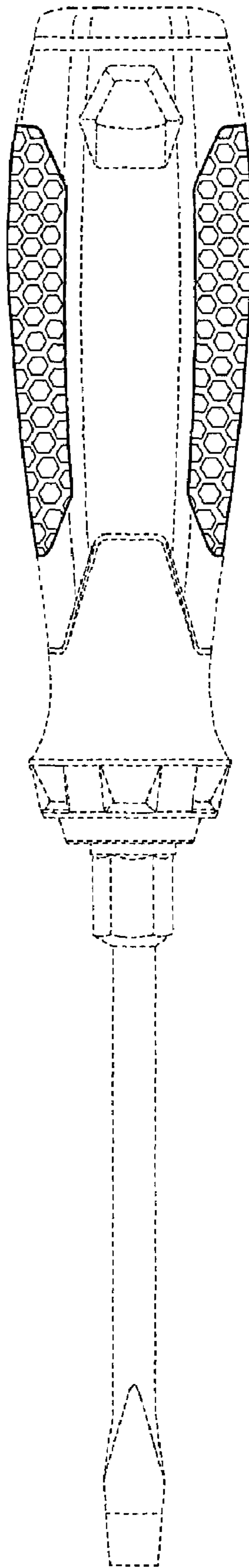


FIG. 11

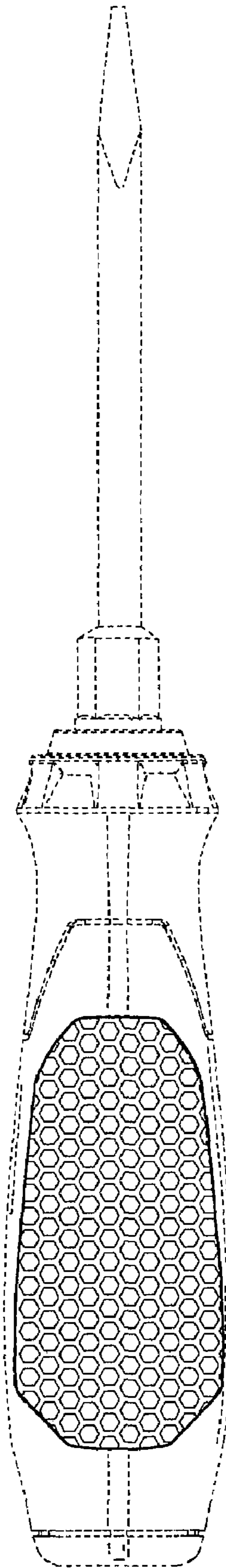


FIG. 12

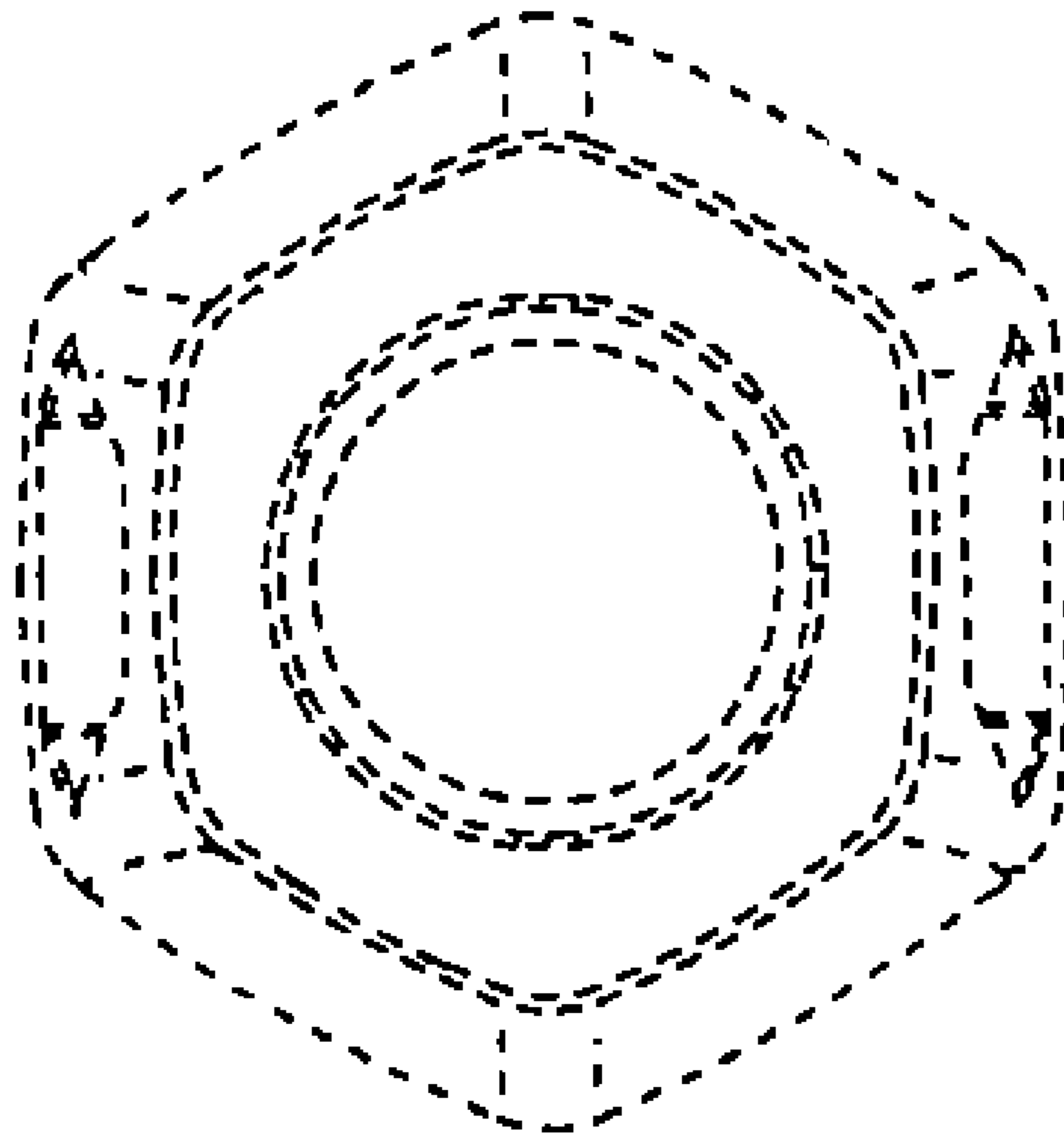


FIG. 13

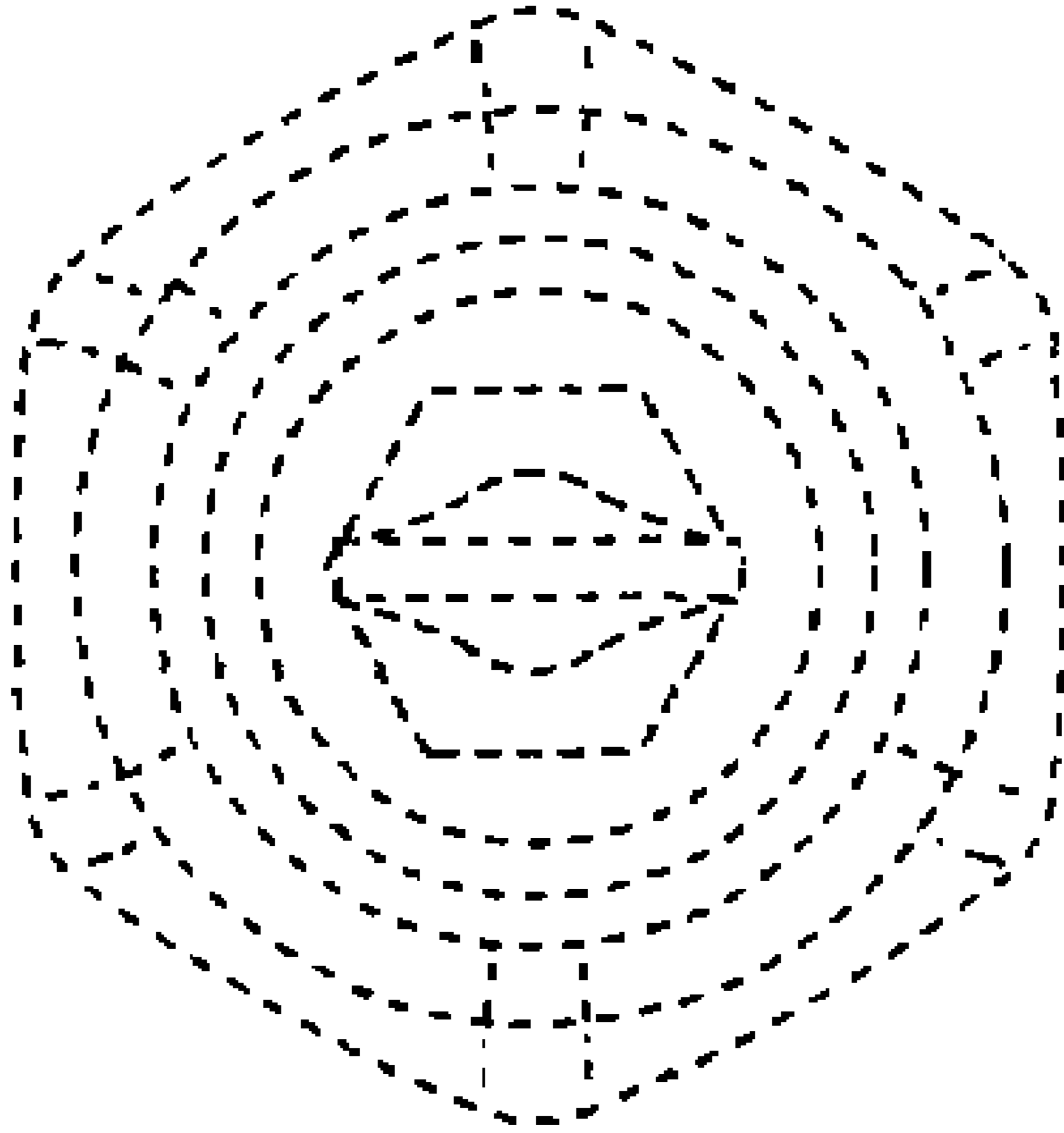


FIG. 14