



US00D589321S

(12) **United States Design Patent**  
**Demers et al.**

(10) **Patent No.:** **US D589,321 S**  
(45) **Date of Patent:** **\*\* Mar. 31, 2009**

(54) **TOOL HANDLE**

(75) Inventors: **Brian Joseph Demers**, Huntersville, NC (US); **Joseph Allen Berlepsch**, Mooresville, NC (US)

(73) Assignee: **Lowe's Companies, Inc.**, Mooresville, NC (US)

(\*\*) Term: **14 Years**

(21) Appl. No.: **29/249,384**

(22) Filed: **Oct. 4, 2006**

(51) **LOC (9) Cl.** ..... **08-05**

(52) **U.S. Cl.** ..... **D8/107; D8/82; D8/97**

(58) **Field of Classification Search** ..... D7/395; D32/49; D8/20, 21, 51, 52, 58, 68, 75, 80, D8/82, 83, 90, 94, 95, 97, 107, 300, 303; 81/177.1, 489, 52; 16/422; D4/138  
See application file for complete search history.

(56) **References Cited**

**U.S. PATENT DOCUMENTS**

D288,769 S 3/1987 Doman

(Continued)

**FOREIGN PATENT DOCUMENTS**

EM 000702089-0002 6/2007

(Continued)

**OTHER PUBLICATIONS**

Taiwanese Search Report for Design Application No. 096301912, dated Nov. 26, 2008.

*Primary Examiner*—Cathron C Brooks

*Assistant Examiner*—Barbara Fox

(74) *Attorney, Agent, or Firm*—Moore & Van Allen, PLLC; W. Kevin Ransom

(57) **CLAIM**

The ornamental design for a tool handle, as shown and described.

**DESCRIPTION**

FIG. 1 is a perspective view of a tool handle, according to one embodiment of the present invention;

FIG. 2 is a plan view of the bottom side of the tool handle of FIG. 1;

FIG. 3 is an elevational view of the front side of the tool handle of FIG. 1;

FIG. 4 is an elevational view of the rear side of the tool handle of FIG. 1;

FIG. 5 is a plan view of the top side of the tool handle of FIG. 1;

FIG. 6 is an elevational view of the right side of the tool handle of FIG. 1;

FIG. 7 is an elevational view of the left side of the tool handle of FIG. 1;

FIG. 8 is a perspective view of a second embodiment tool handle according to the present invention;

FIG. 9 is a plan view of the top side of the tool handle of FIG. 8;

FIG. 10 is an elevational view of the right side of the tool handle of FIG. 8;

FIG. 11 is a plan view of the bottom side of the tool handle of FIG. 8;

FIG. 12 is an elevational view of the left side of the tool handle of FIG. 8;

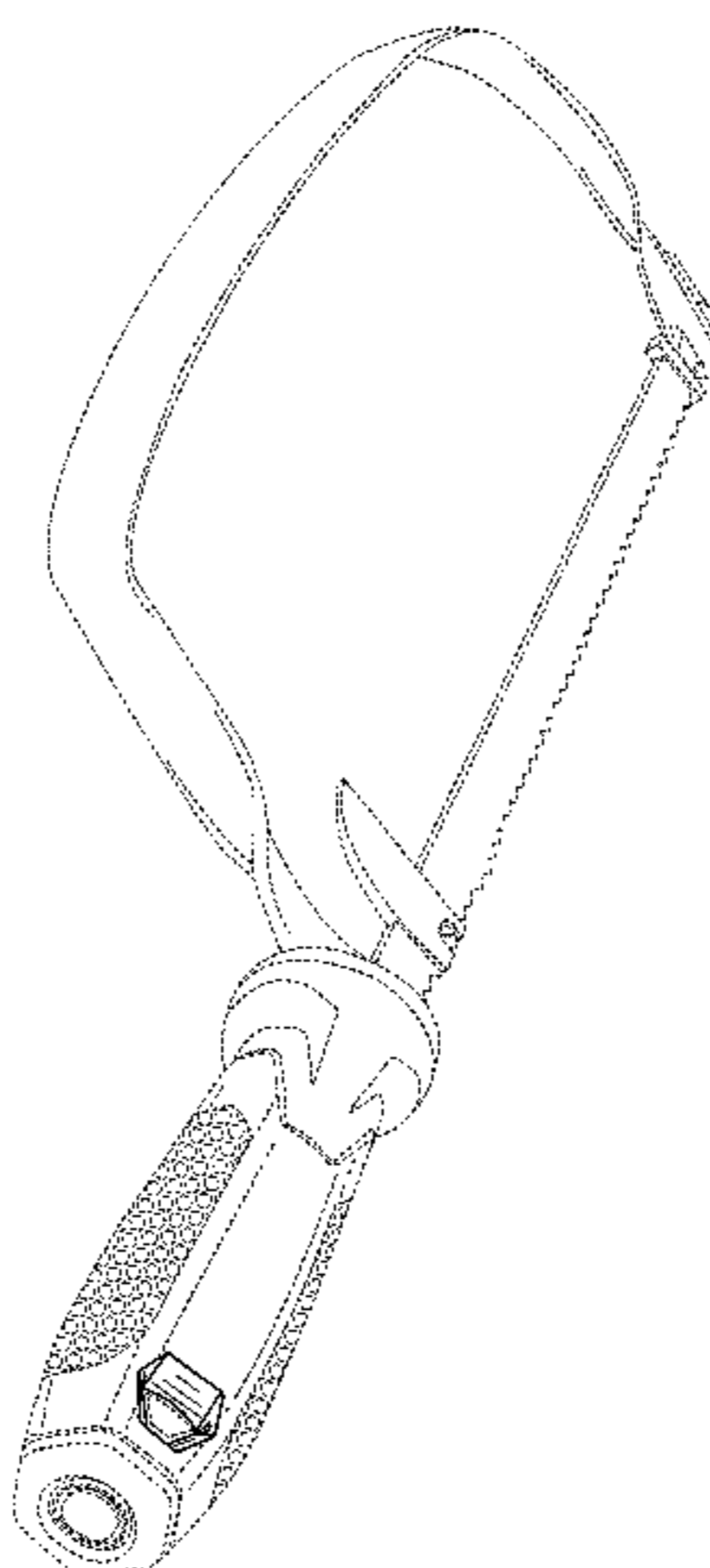
FIG. 13 is an elevational view of the rear side of the tool handle of FIG. 8; and,

FIG. 14 is an elevational view of the front side of the tool handle of FIG. 8.

The broken lines shown herein are for illustrative purposes only and form no part of the claimed design.

The broken line shown within the recessed hexagon represents a boundary line that defines the bounds of the claim, and forms no part of the claimed design.

**1 Claim, 14 Drawing Sheets**



# US D589,321 S

Page 2

---

## U.S. PATENT DOCUMENTS

D288,770 S 3/1987 Doman  
D325,506 S 4/1992 Michas et al.  
D422,475 S \* 4/2000 Su ..... D8/83  
D433,344 S 11/2000 Hsu  
D474,528 S 5/2003 Huang  
D514,331 S \* 2/2006 Liu ..... D4/138  
D517,394 S \* 3/2006 Chen ..... D8/107  
D541,617 S \* 5/2007 Perez et al. .... D8/107  
D549,463 S \* 8/2007 Potempa et al. .... D4/138  
D550,058 S \* 9/2007 Aglassinger ..... D8/107  
D557,102 S \* 12/2007 Perez et al. .... D8/107  
D562,063 S \* 2/2008 Munari ..... D7/395  
D572,559 S 7/2008 Demers et al.  
D572,561 S 7/2008 Demers et al.

## FOREIGN PATENT DOCUMENTS

JP D1253453 10/2005  
TW 144783 10/1990  
TW 232614 10/1994  
TW 443904 6/1999  
TW 391820 5/2000  
TW 405983 9/2000  
TW 4440384 6/2001  
TW 453826 9/2001  
TW 478775 3/2002  
TW 542548 1/2003  
TW D106079 8/2005  
TW D106099 8/2005  
TW D110289 4/2006  
TW D114283 12/2006

\* cited by examiner

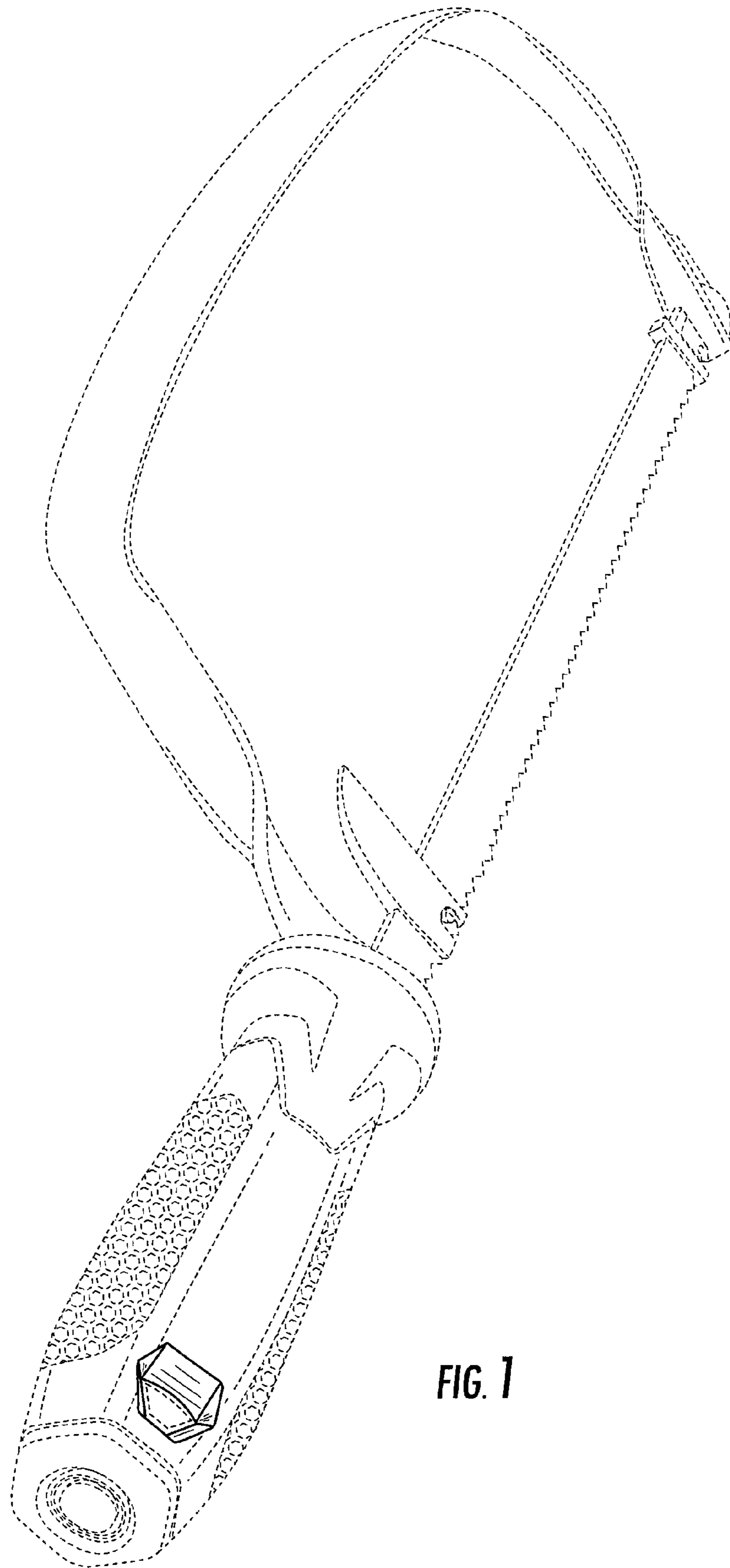


FIG. 1

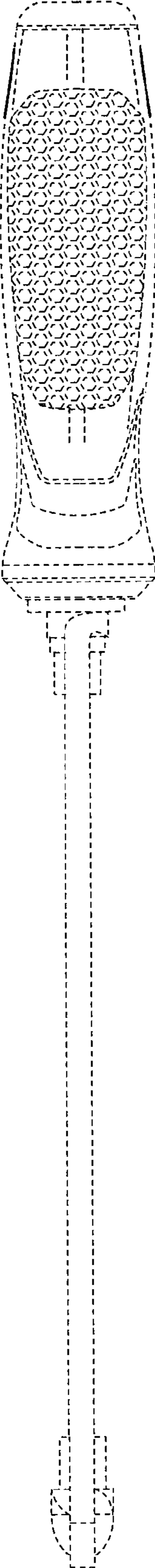
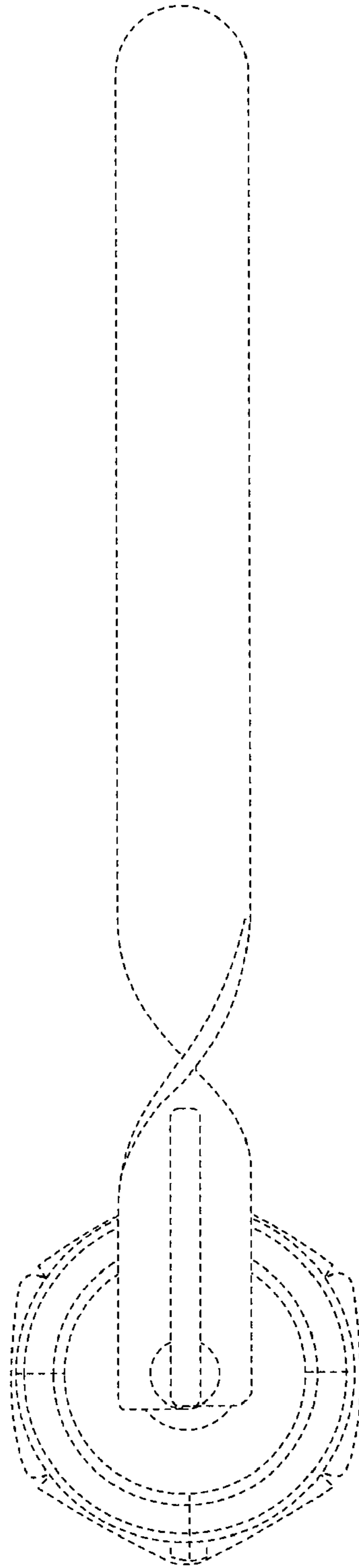
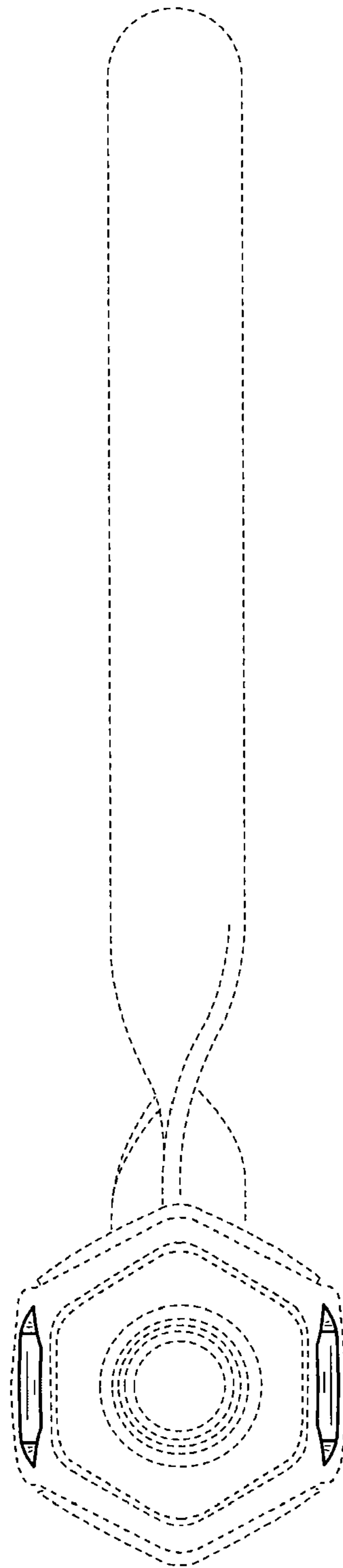


FIG. 2



**FIG. 3**



**FIG. 4**

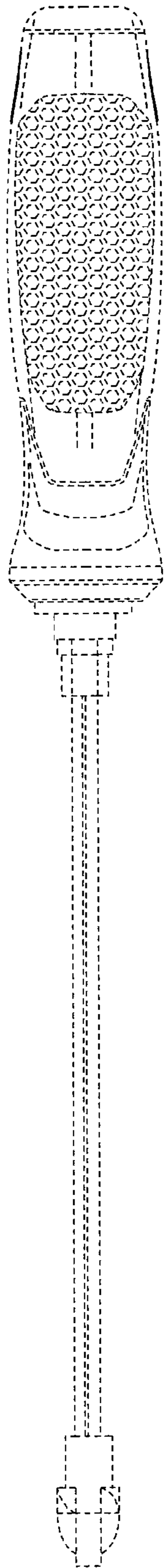


FIG. 5

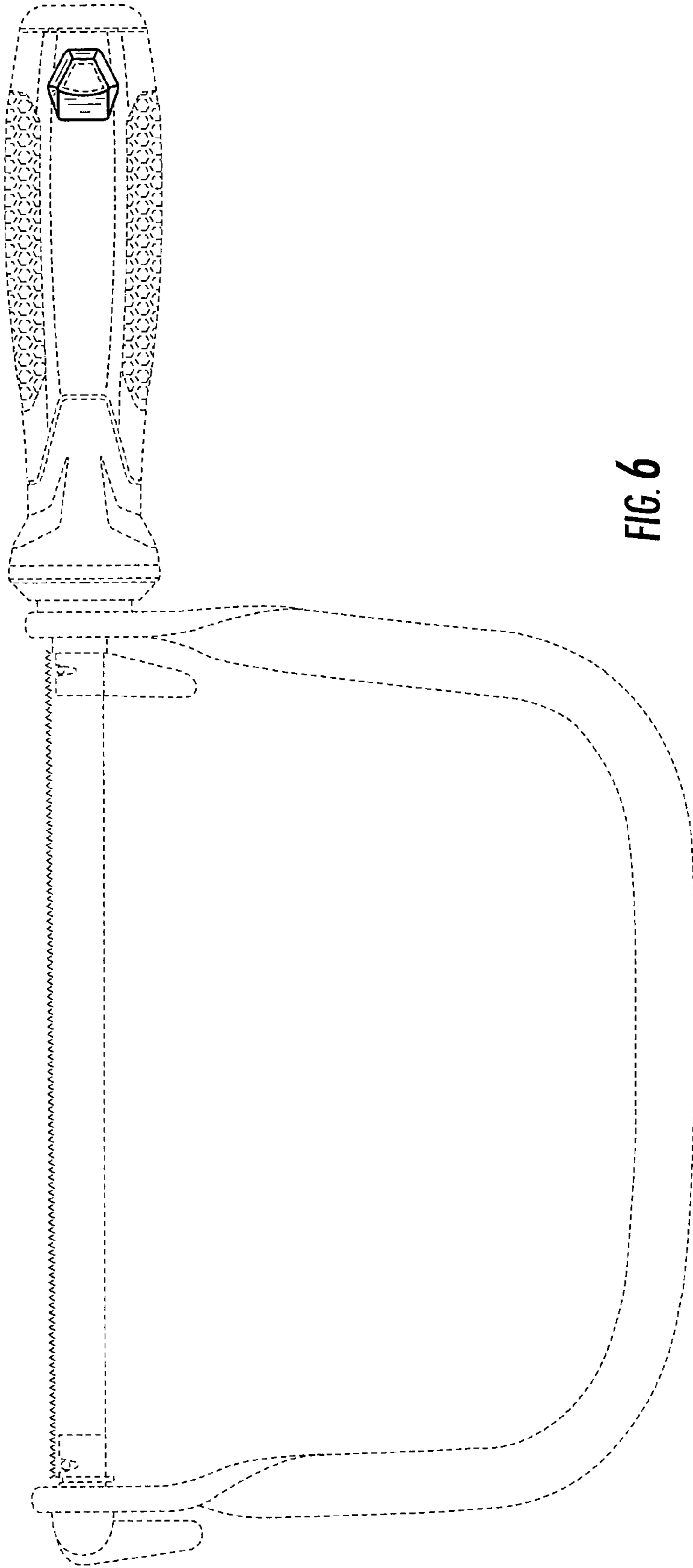


FIG. 6



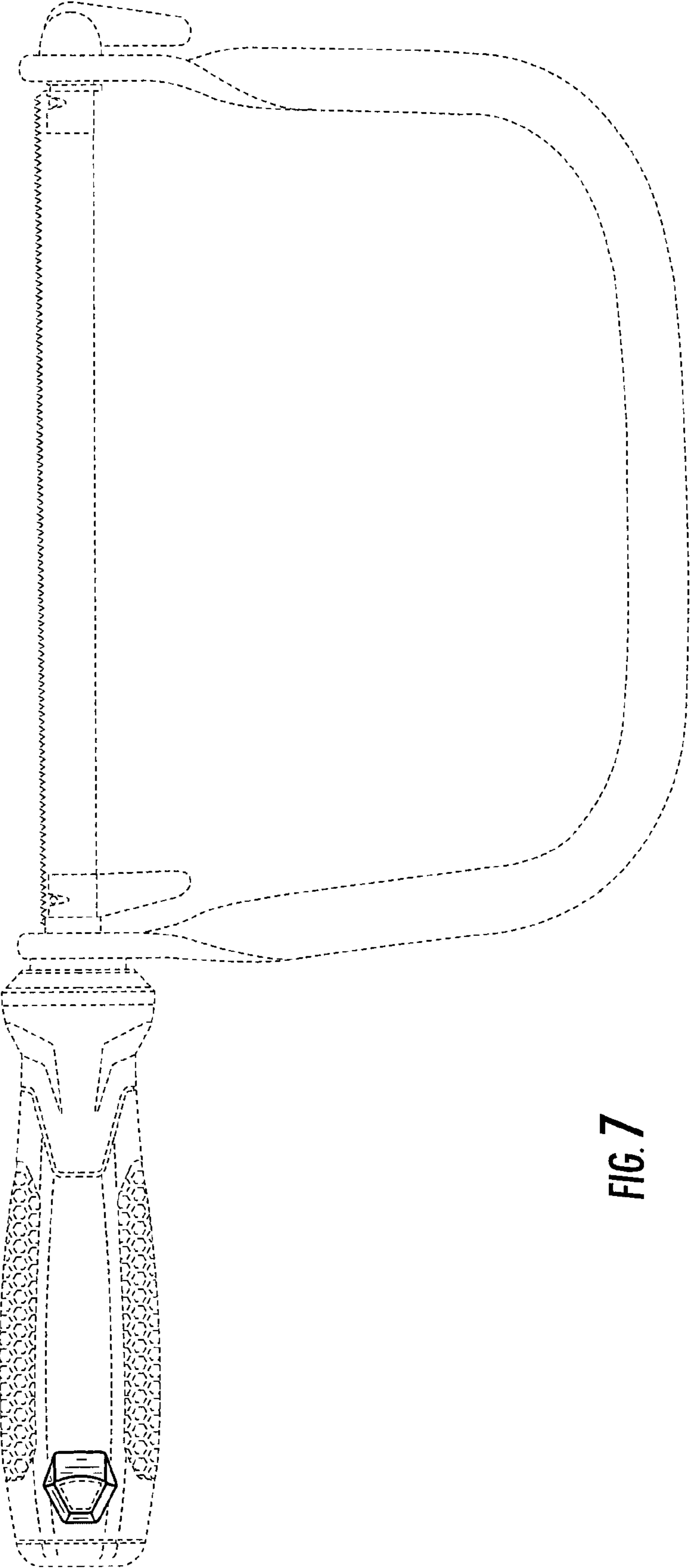


FIG. 7

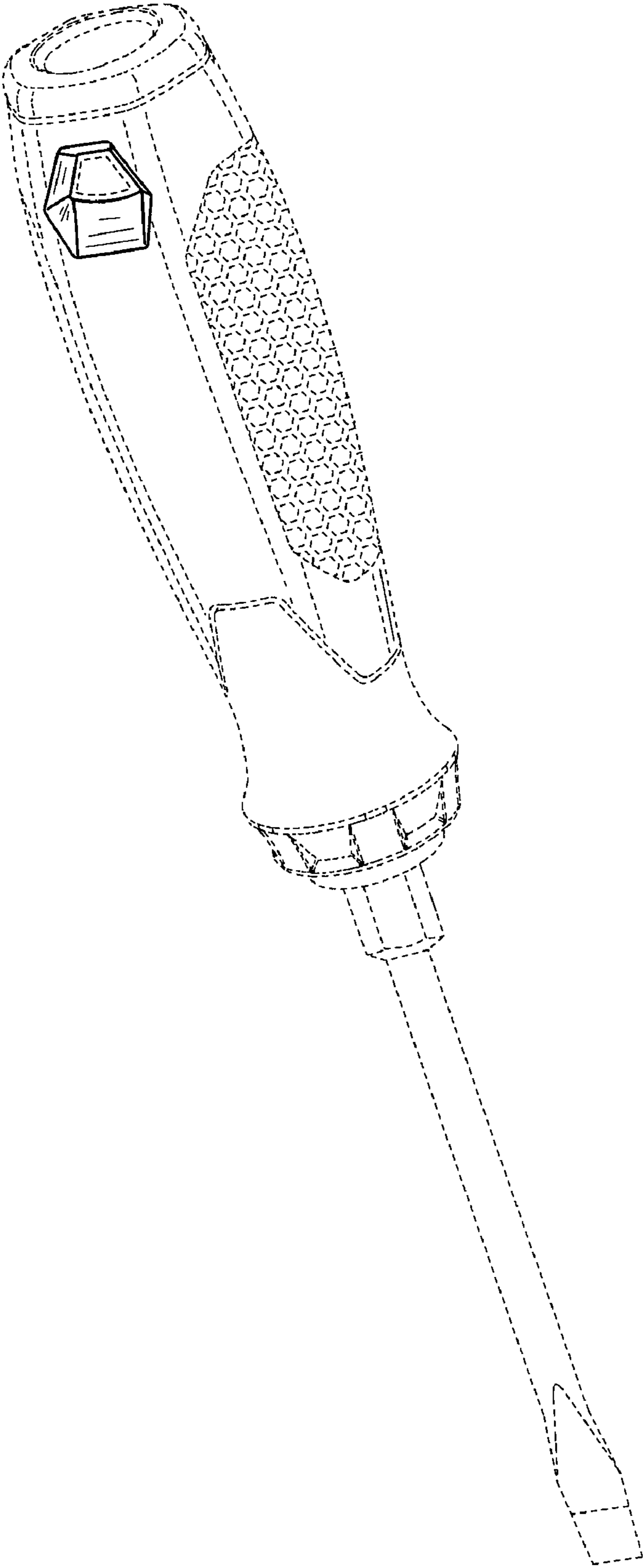


FIG. 8

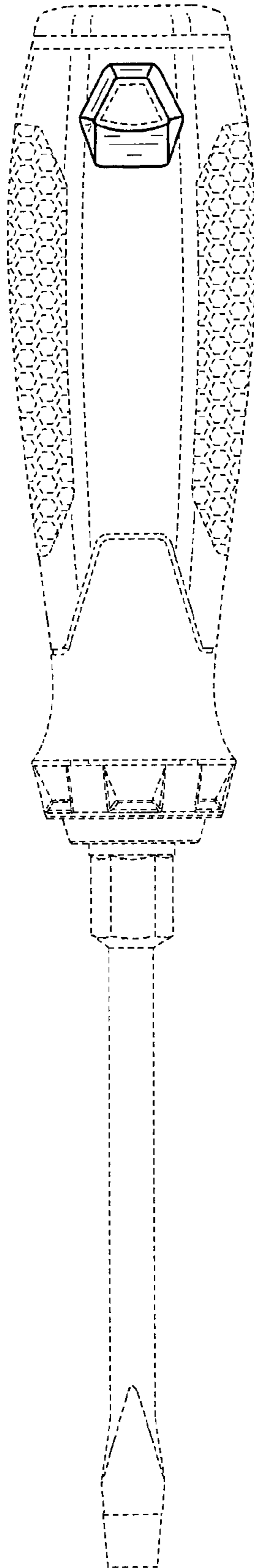


FIG. 9

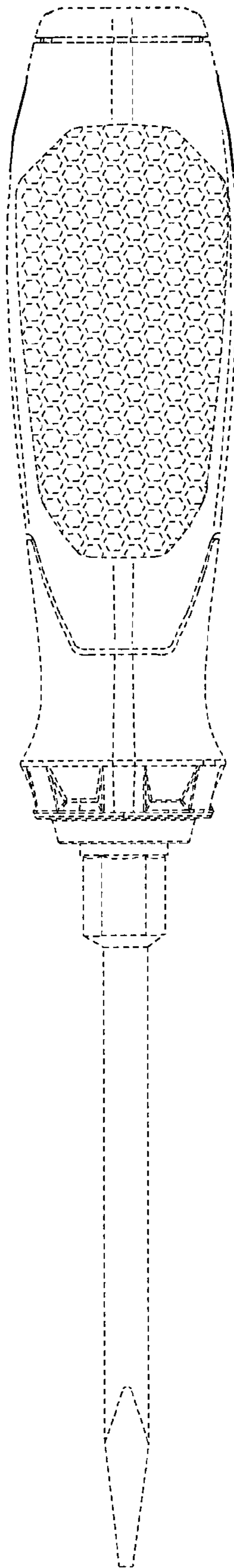


FIG. 10

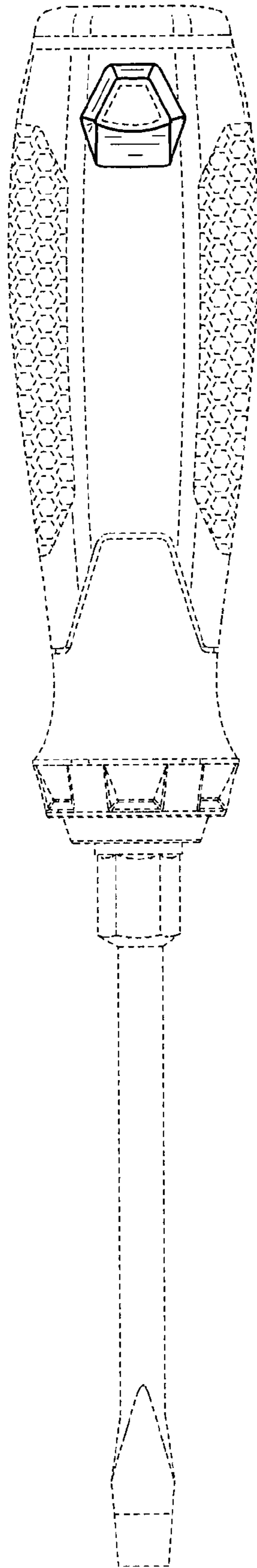


FIG. 11

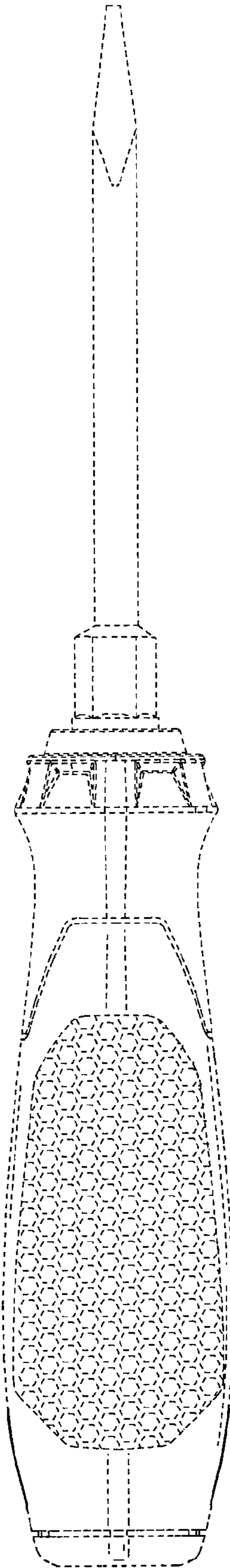
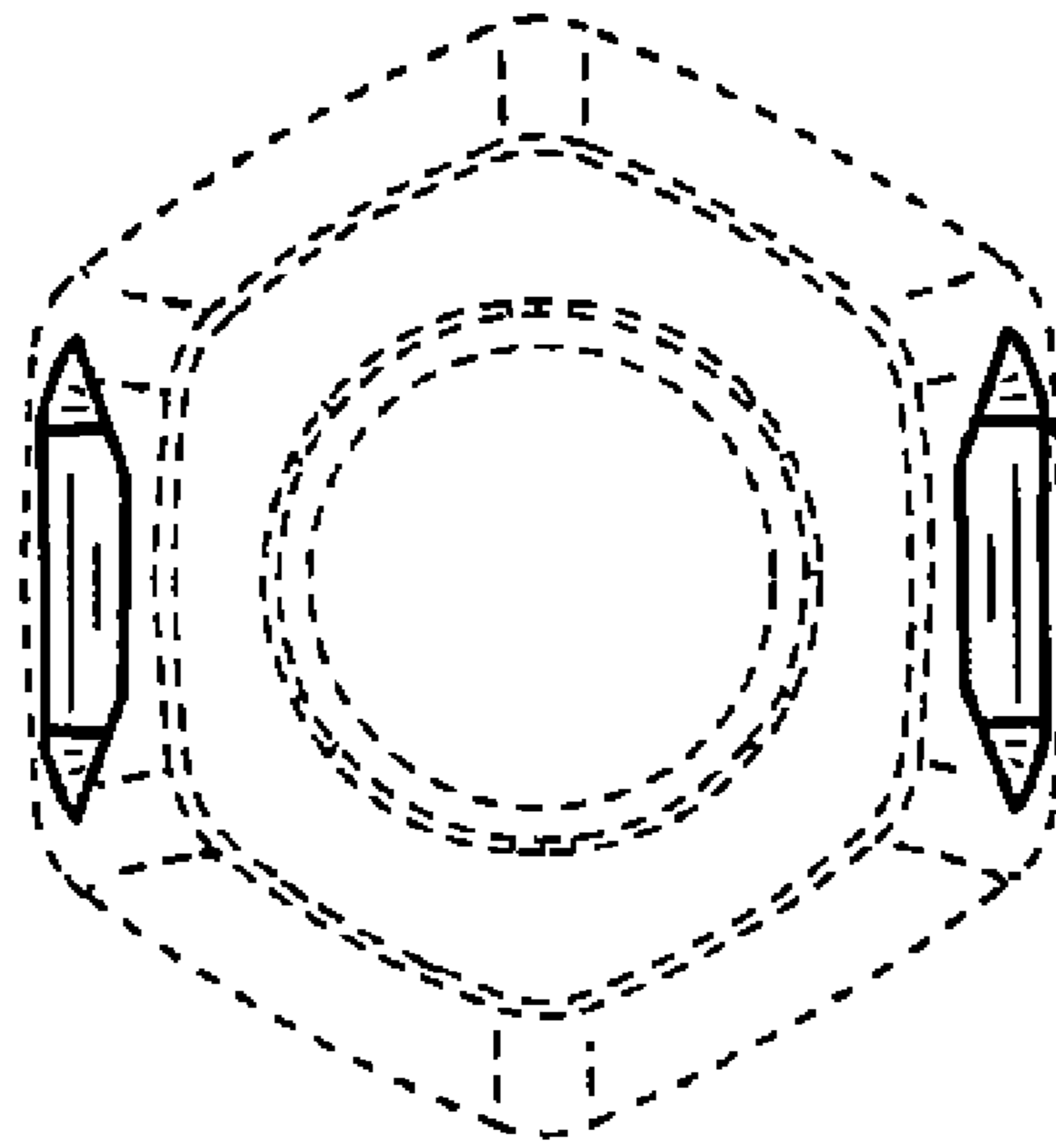
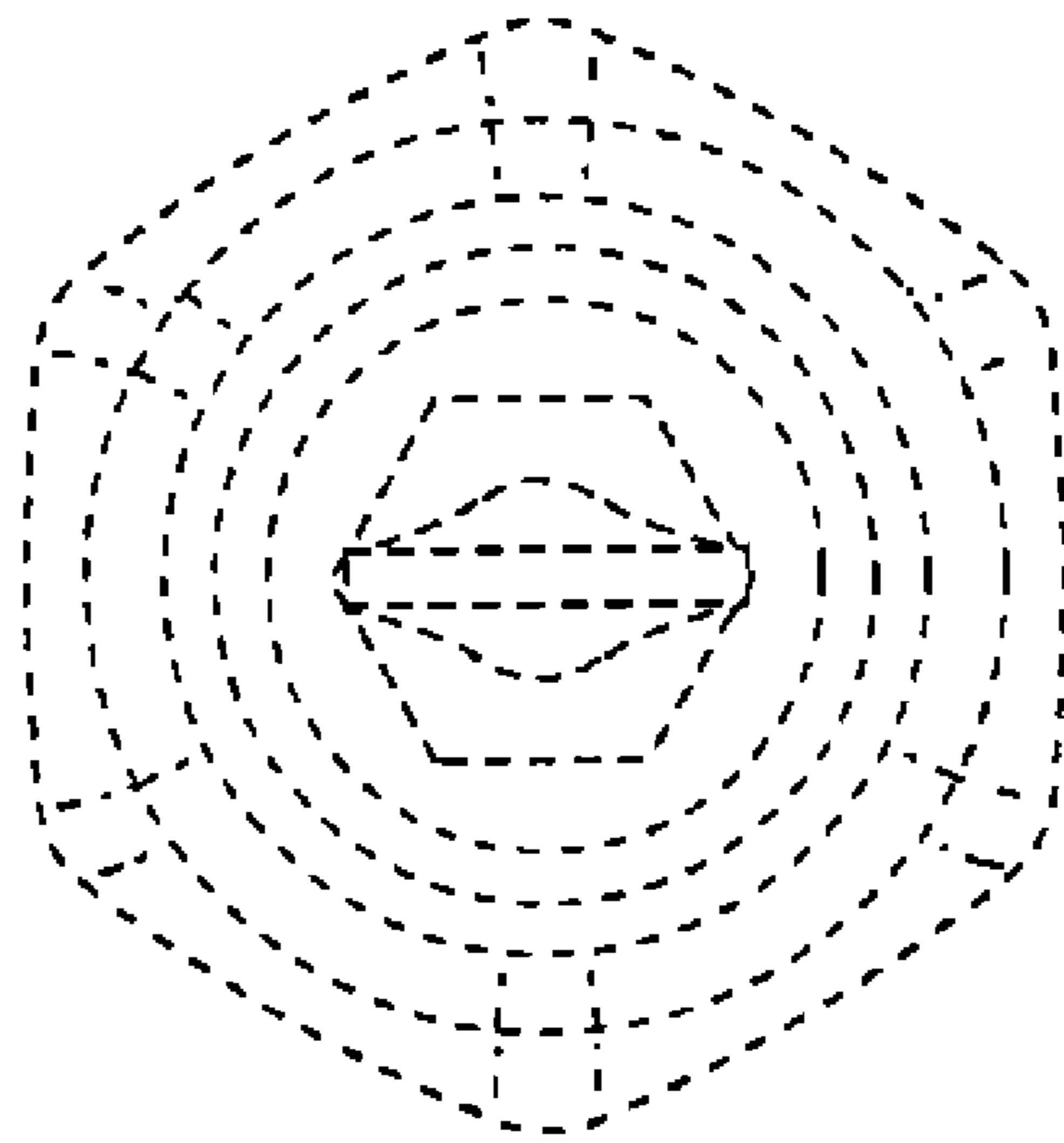


FIG. 12



**FIG. 13**



**FIG. 14**