



US00D589318S

(12) **United States Design Patent**
Meyer

(10) **Patent No.:** **US D589,318 S**
(45) **Date of Patent:** **** Mar. 31, 2009**

(54) **DRILL DUST CATCHER**

(75) Inventor: **Michael Meyer**, Winterbach (DE)

(73) Assignee: **Alfred Kaercher GmbH & Co. KG**,
Winnenden (DE)

(**) Term: **14 Years**

(21) Appl. No.: **29/259,955**

(22) Filed: **May 16, 2006**

(30) **Foreign Application Priority Data**

Nov. 24, 2005 (EM) 000435631-0001/0010

(51) **LOC (9) Cl.** **08-05**

(52) **U.S. Cl.** **D8/70**

(58) **Field of Classification Search** D8/61-71,
D8/90, 363; D15/124-126, 138-140; D12/207,
D12/223; 83/665; 451/41, 47, 56, 324, 342,
451/347-349, 357-360, 364, 388, 406, 420-423,
451/451, 547-549

See application file for complete search history.

(56) **References Cited**

U.S. PATENT DOCUMENTS

4,184,226	A *	1/1980	Loevenich	15/415.1
4,738,571	A *	4/1988	Olson et al.	409/137
5,125,190	A *	6/1992	Buser et al.	451/456
D334,330	S *	3/1993	Moshhammer	D8/70
D347,778	S *	6/1994	Clowers et al.	D8/62
D352,439	S *	11/1994	Bedford	D8/70
D376,526	S *	12/1996	Hepburn	D8/70
5,605,421	A *	2/1997	Hodgson	408/67
5,983,445	A *	11/1999	Baker	15/339
RE36,627	E *	3/2000	Pink et al.	15/347
6,053,674	A *	4/2000	Thompson	408/67
6,071,184	A *	6/2000	Anderson, III	451/398
6,447,387	B1 *	9/2002	Tseng	451/456
6,540,598	B1 *	4/2003	McCutchen	451/456

6,648,742	B1 *	11/2003	Segiel, Jr.	451/451
D488,365	S *	4/2004	Liu	D8/62
D499,625	S *	12/2004	Stirm	D8/70
6,887,146	B2 *	5/2005	Staas et al.	454/66
6,896,605	B2 *	5/2005	Ohlendorf	451/454
6,910,960	B2 *	6/2005	Reich et al.	451/451
D543,563	S *	5/2007	Skradski et al.	D15/138
D546,156	S *	7/2007	Aglassinger et al.	D8/70
2004/0055665	A1 *	3/2004	Wang	144/252.1

* cited by examiner

Primary Examiner—T. Chase Nelson

Assistant Examiner—Karen Acker

(74) *Attorney, Agent, or Firm*—Lipsitz & McAllister, LLC

(57) **CLAIM**

The ornamental design for drill dust catcher, as shown and described.

DESCRIPTION

FIG. 1 is a front, top and left side perspective view of the design;

FIG. 2 is a front, top and right side perspective view of the design;

FIG. 3 is a right side elevational view of the design with the portions shown in broken lines forming no part of the claimed design;

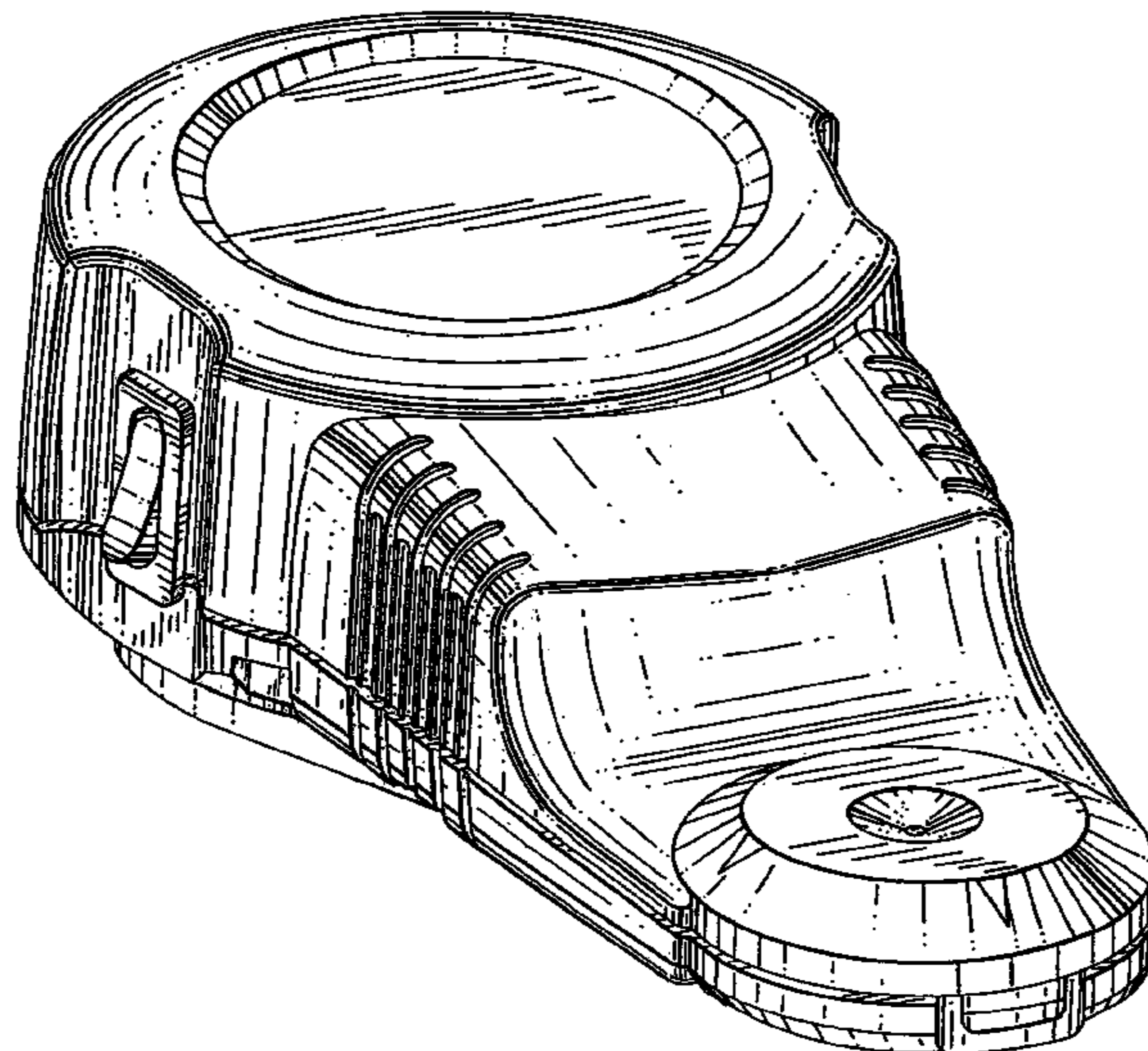
FIG. 4 is a left side elevational view of the design with the portions shown in broken lines forming no part of the claimed design;

FIG. 5 is a front elevational view of the design with the portions shown in broken lines forming no part of the claimed design;

FIG. 6 is a rear elevational view of the design with the portions shown in broken lines forming no part of the claimed design; and,

FIG. 7 is a top plan view of the design.

1 Claim, 5 Drawing Sheets



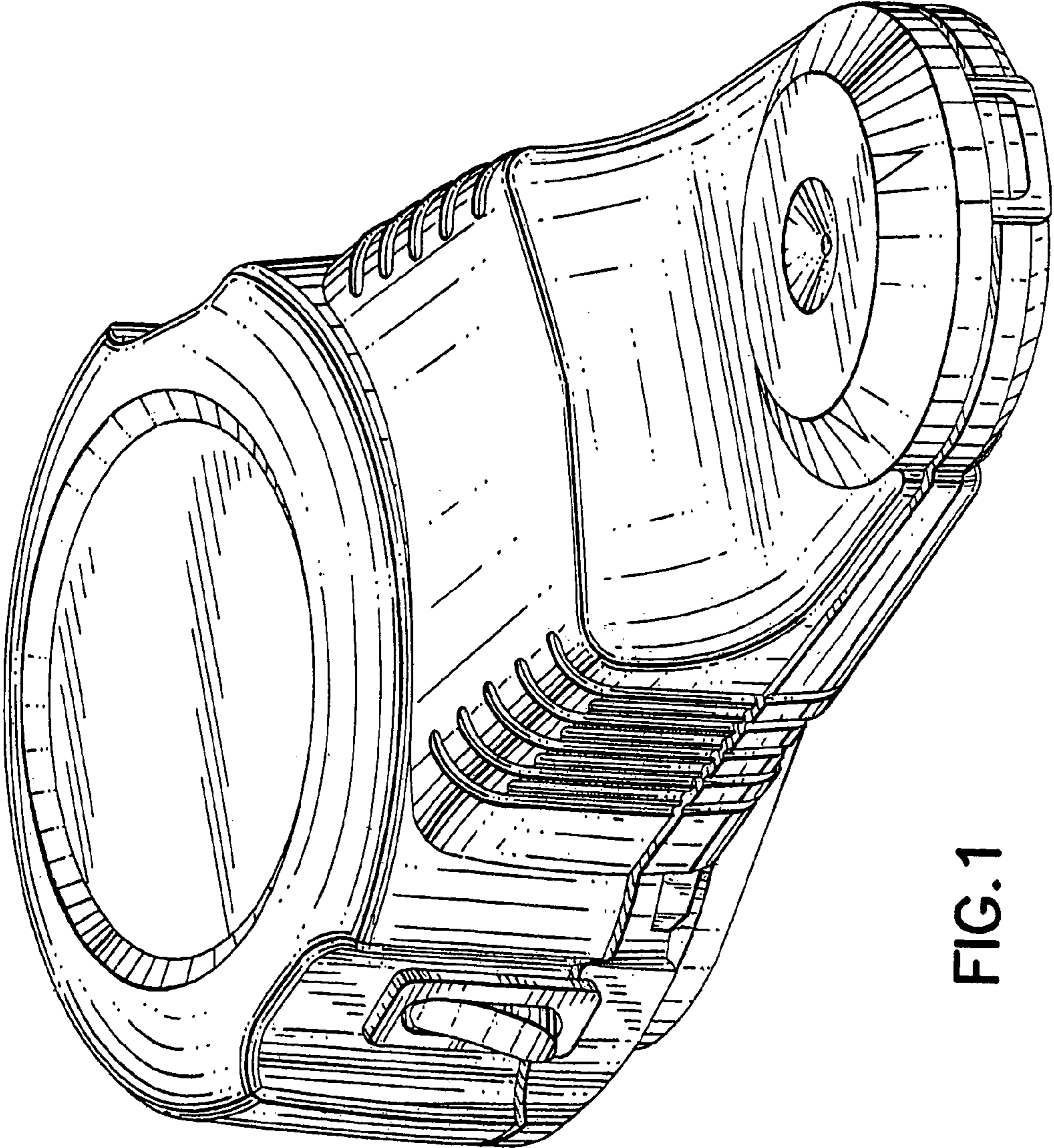


FIG. 1

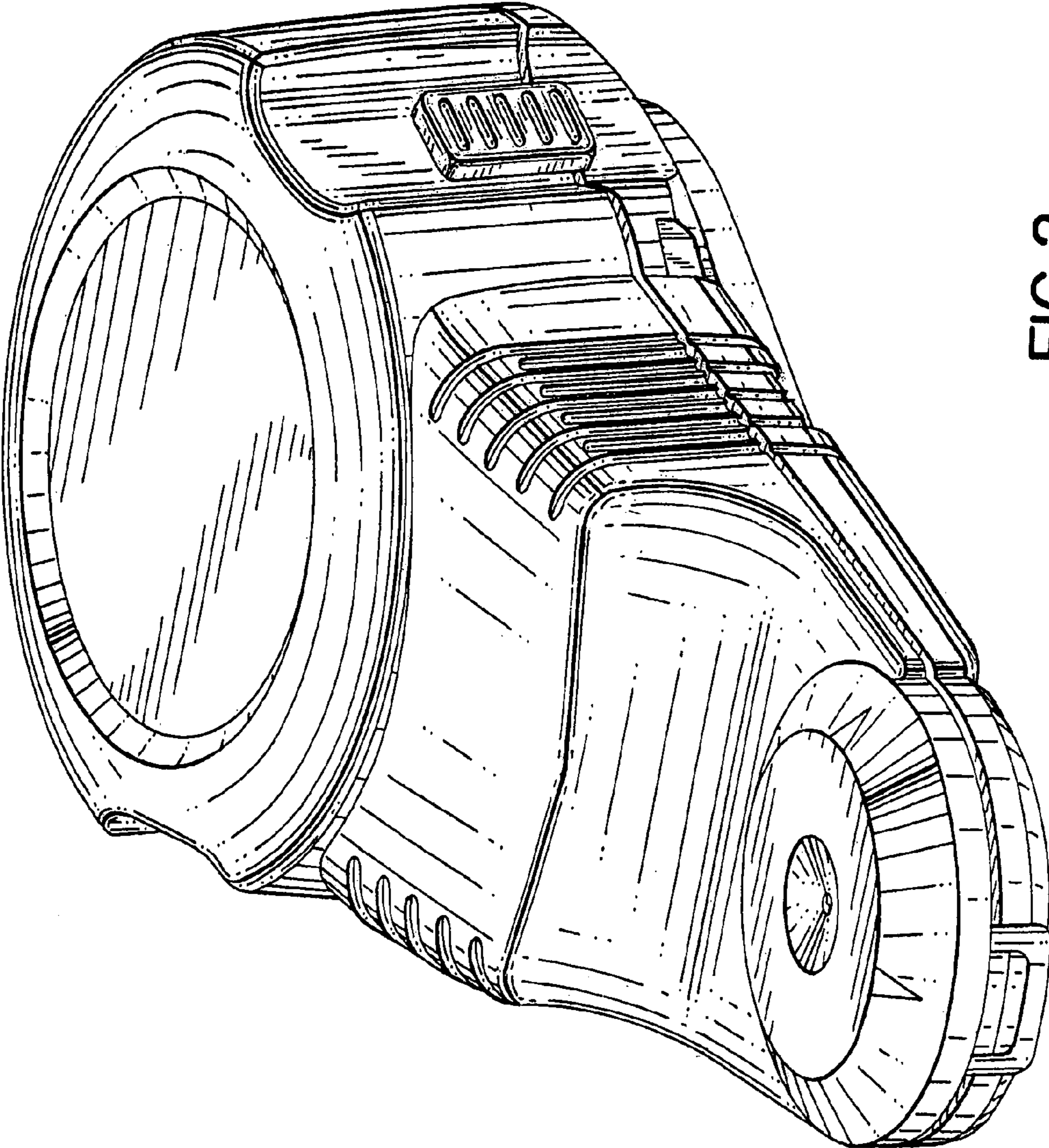


FIG.2

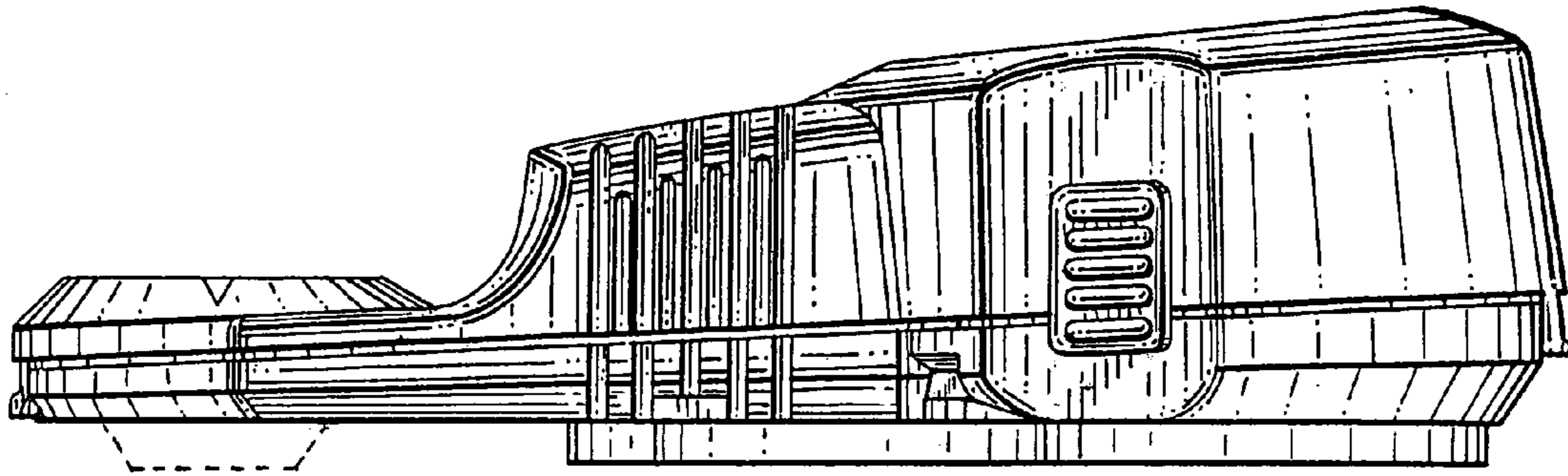


FIG. 3

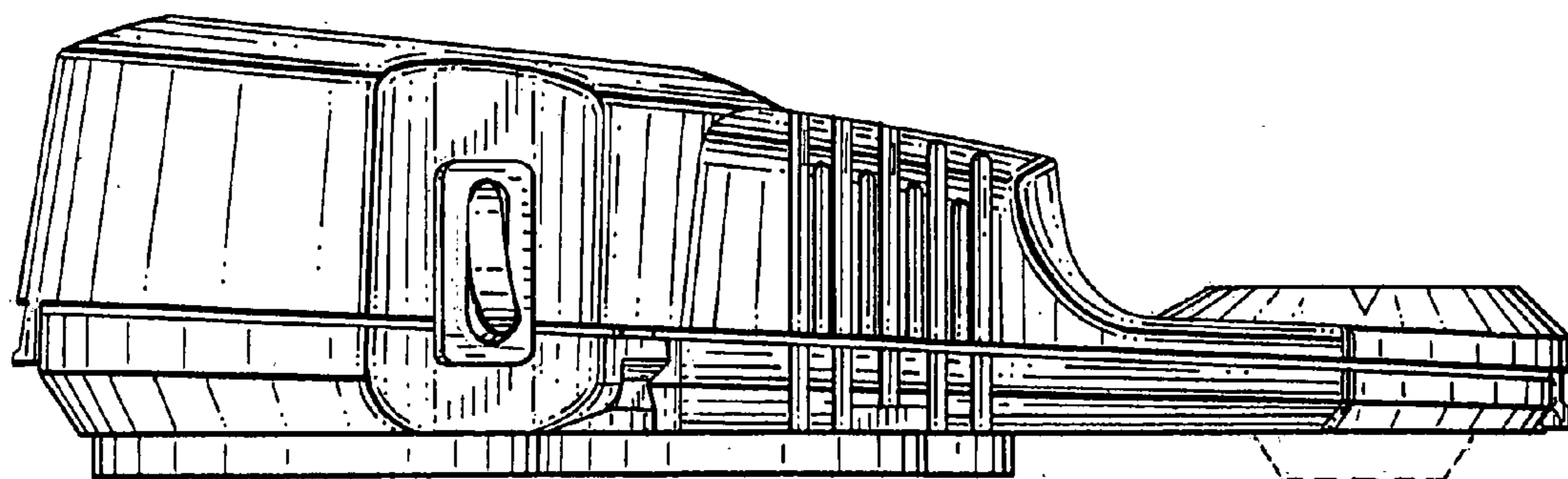


FIG. 4

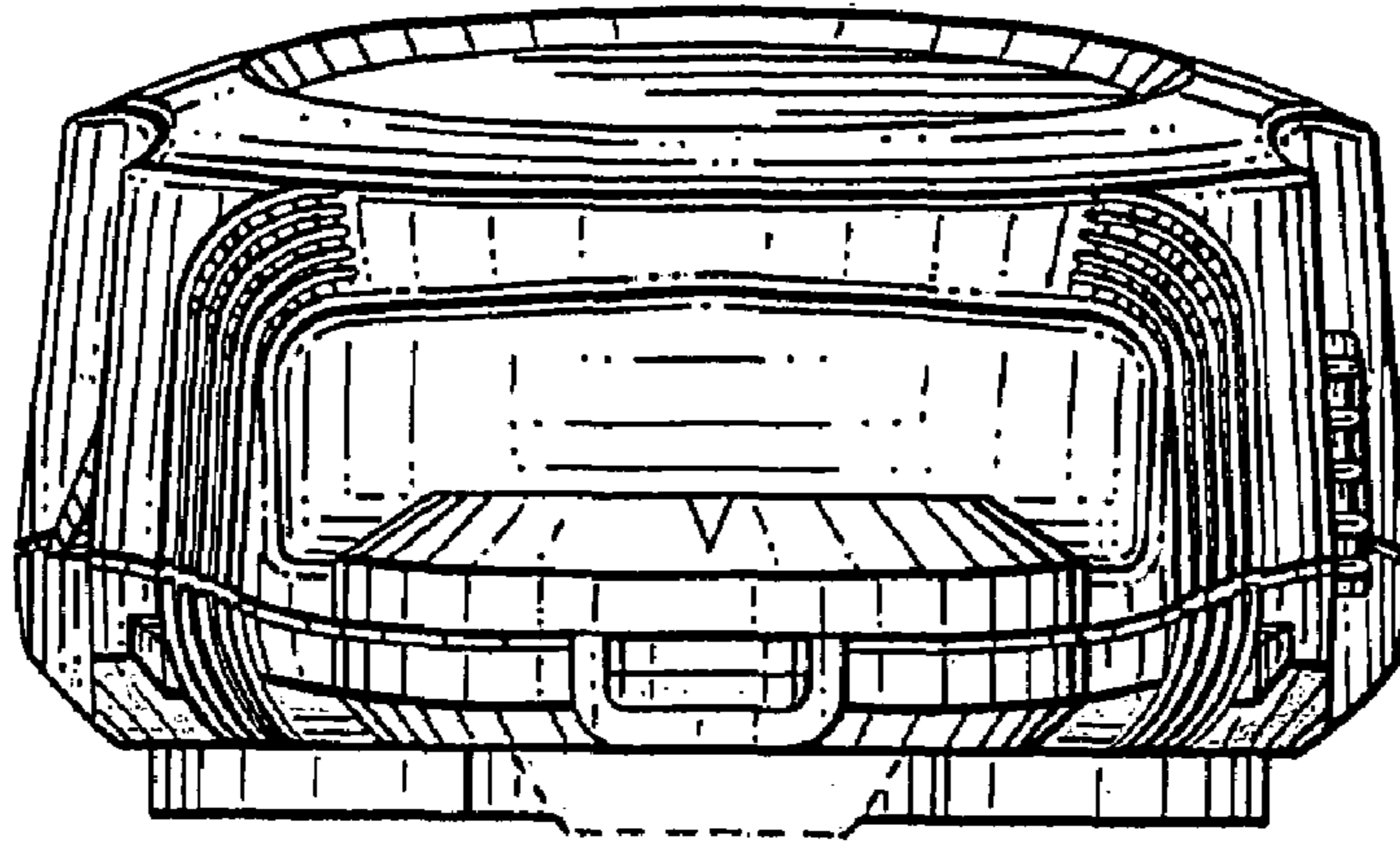


FIG. 5

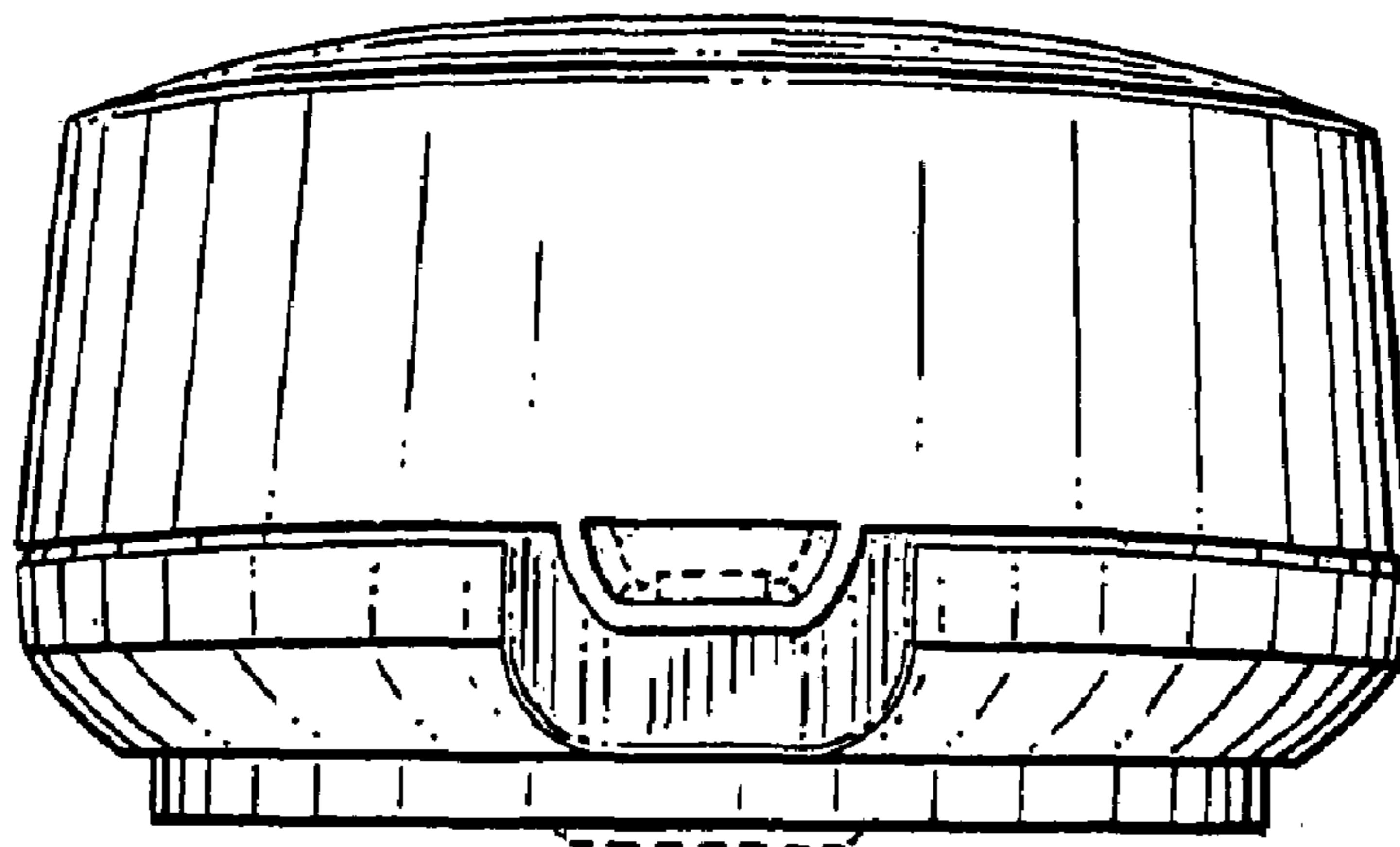


FIG. 6

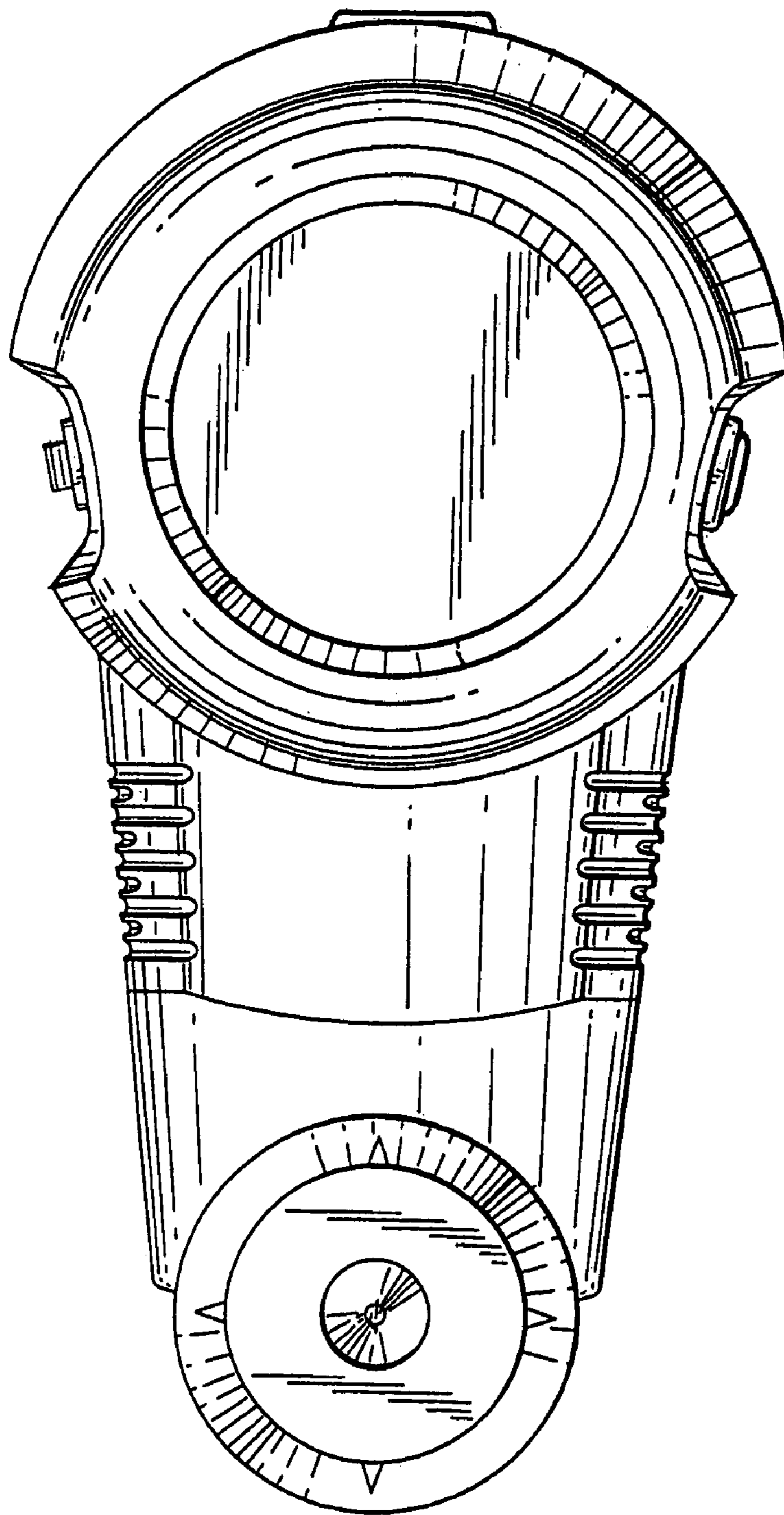


FIG. 7