



US00D589317S

(12) **United States Design Patent**
Okuda

(10) **Patent No.:** **US D589,317 S**
(45) **Date of Patent:** **** Mar. 31, 2009**

(54) **PORTABLE ELECTRIC DRILL**

(75) Inventor: **Shinsuke Okuda**, Anjo (JP)

(73) Assignee: **Makita Corporation**, Anjo-shi (JP)

(**) Term: **14 Years**

(21) Appl. No.: **29/309,367**

(22) Filed: **Aug. 4, 2008**

(30) **Foreign Application Priority Data**

Feb. 12, 2008 (JP) 2008-002898

(51) **LOC (9) Cl.** **08-01**

(52) **U.S. Cl.** **D8/68**

(58) **Field of Classification Search** D8/14.1,
D8/61-70; 81/57.11, 429, 454-456, 469,
81/489; 173/13, 104, 114, 168-171, 178,
173/201, 211, 213, 217; 408/20, 124, 125,
408/234, 241 R; 451/358; 310/50; 227/8,
227/113, 114, 120, 130, 136, 142

See application file for complete search history.

(56) **References Cited**

U.S. PATENT DOCUMENTS

6,308,378 B1 * 10/2001 Mooty et al. 408/124
D497,786 S * 11/2004 Concari D8/68
D501,384 S * 2/2005 Wright et al. D8/68
D510,007 S * 9/2005 Yamamoto D8/68

D525,848 S * 8/2006 Kokawa D8/68
D527,971 S * 9/2006 Kokawa D8/68
D534,403 S * 1/2007 Concari D8/68
D534,404 S * 1/2007 Concari D8/68
D539,110 S * 3/2007 Okuda D8/68
D543,081 S * 5/2007 Watson D8/68
D559,061 S * 1/2008 Concari D8/68
7,367,757 B2 * 5/2008 Phillips 408/35
7,410,441 B2 * 8/2008 Milbourne et al. 173/47

* cited by examiner

Primary Examiner—Antoine D Davis

(74) *Attorney, Agent, or Firm*—Oliff & Berridge, PLC

(57) **CLAIM**

The ornamental design for a portable electric drill, as shown and described.

DESCRIPTION

FIG. 1 is a perspective view of a portable electric drill showing our new design;

FIG. 2 is a front elevation view thereof;

FIG. 3 is a rear elevation view thereof;

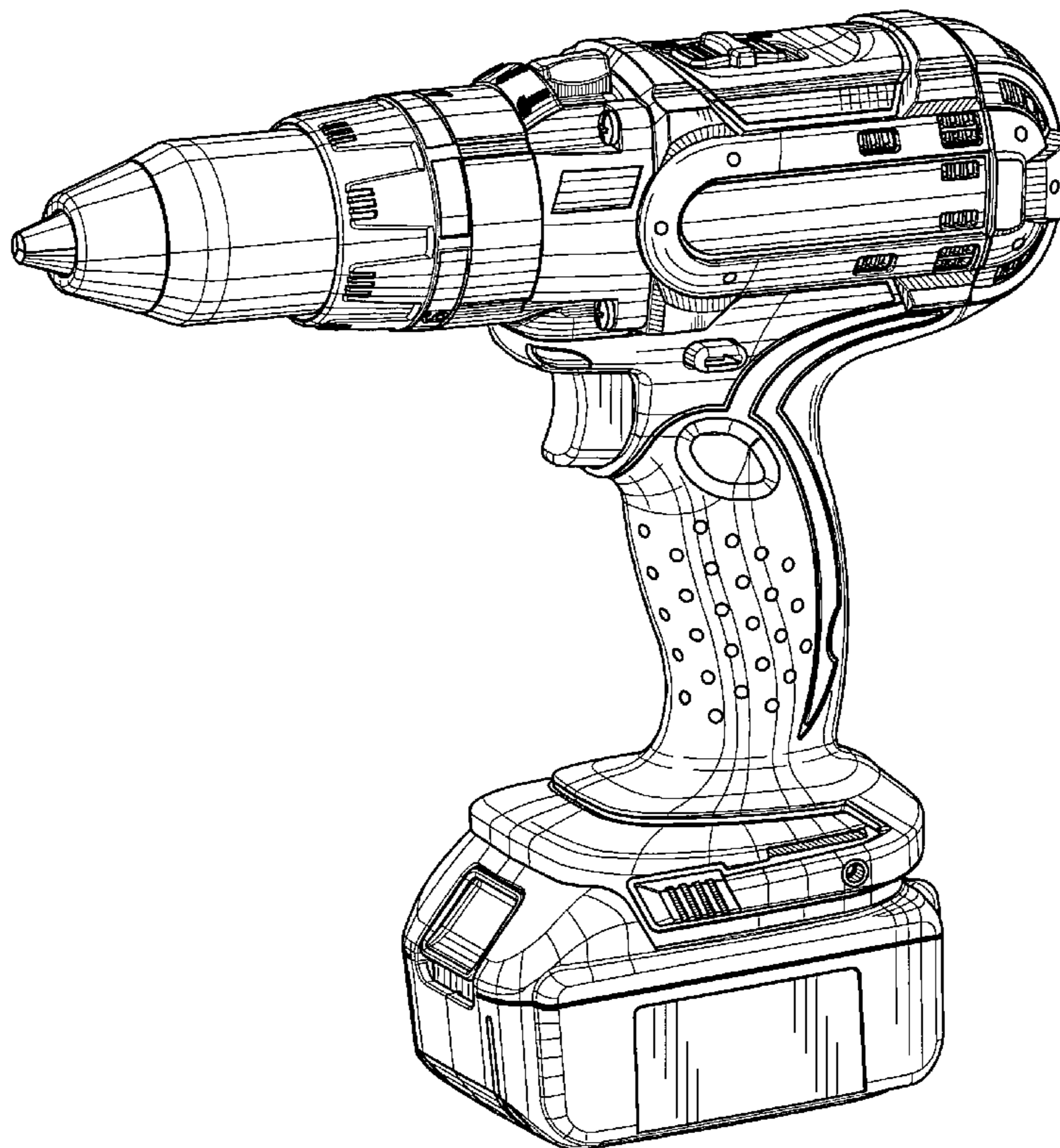
FIG. 4 is a left side elevation view thereof;

FIG. 5 is a right side elevation view thereof;

FIG. 6 is a top plan view thereof; and,

FIG. 7 is a bottom plan view thereof.

1 Claim, 5 Drawing Sheets



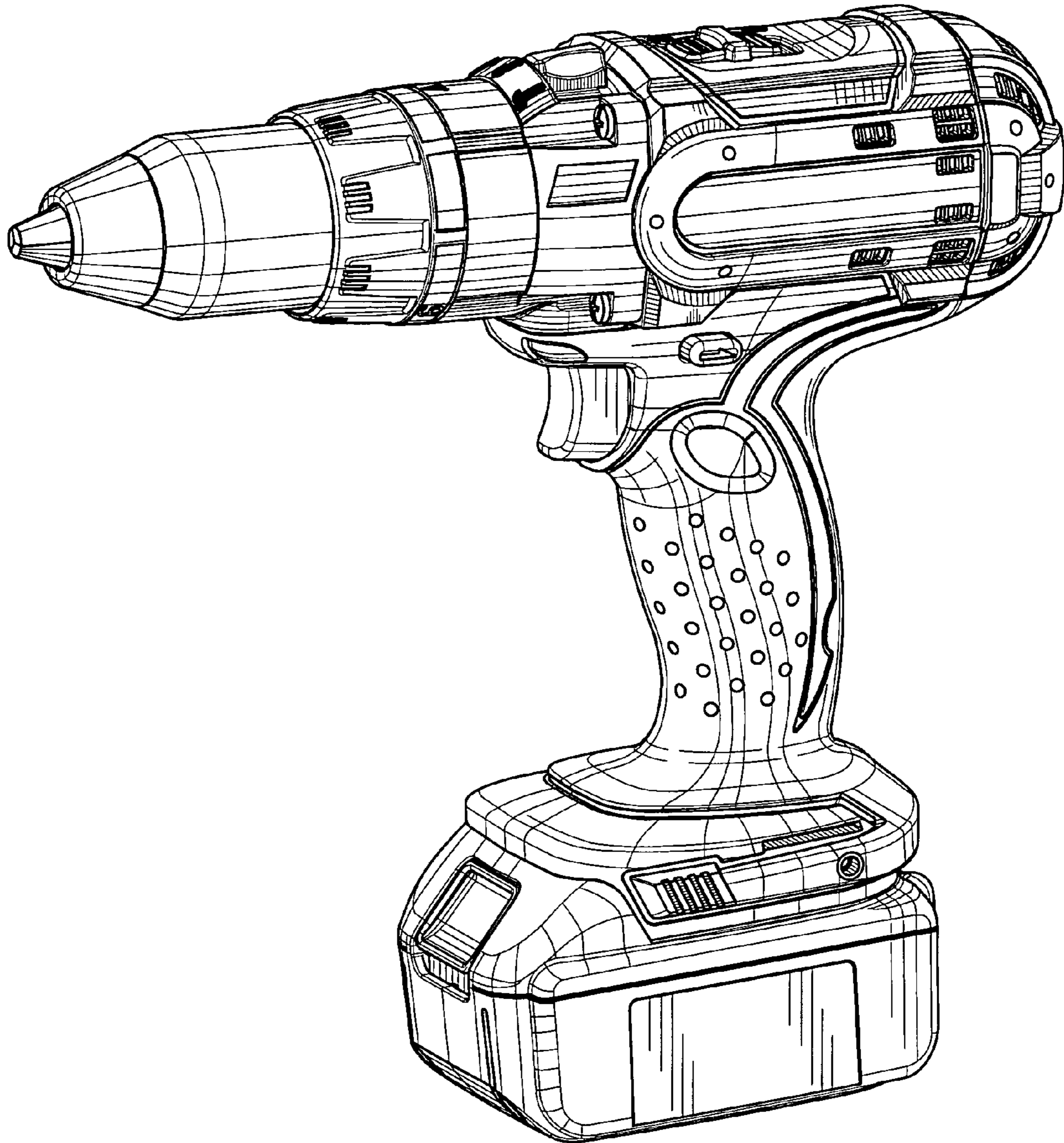


FIG. 1

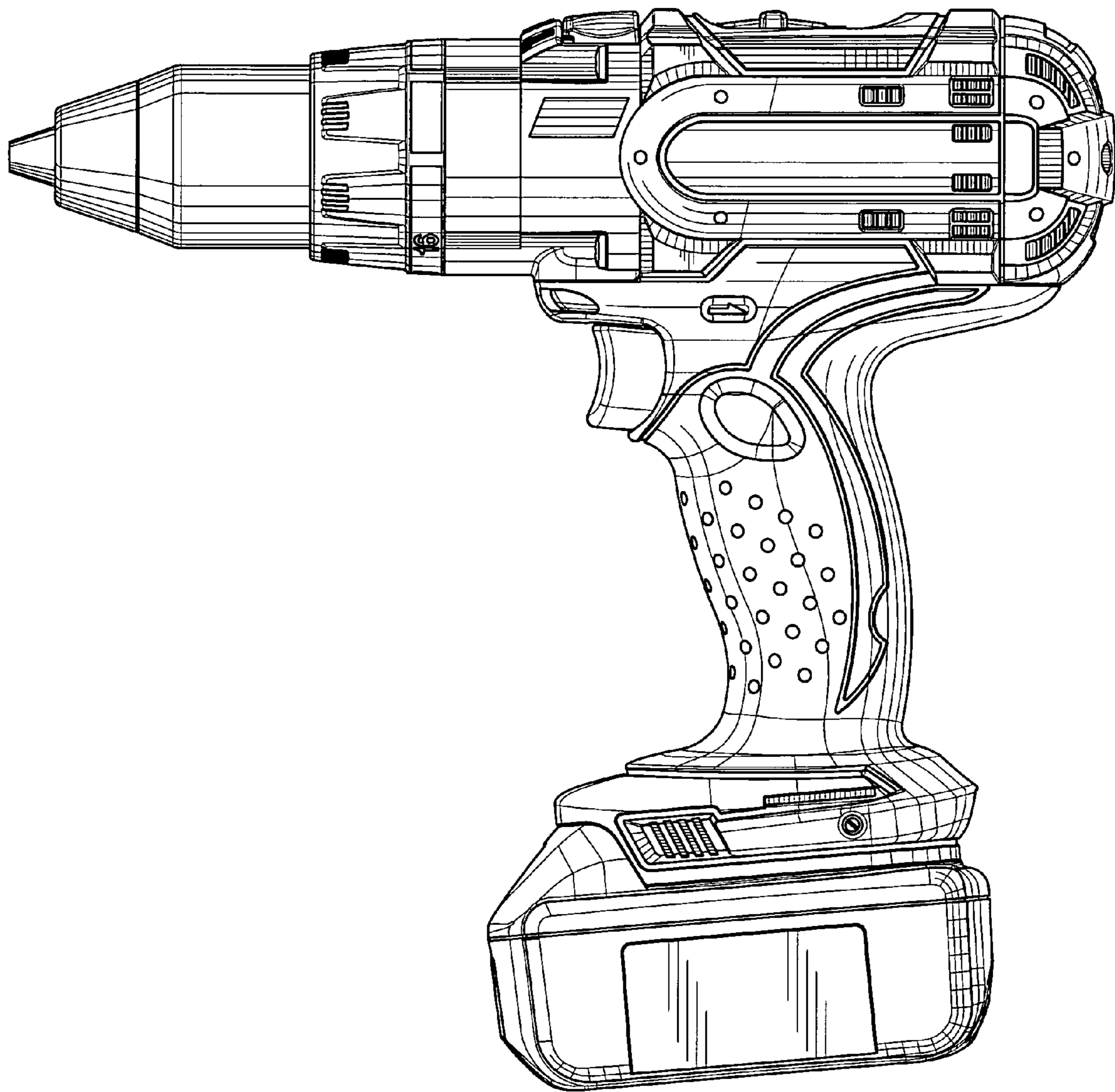


FIG. 2

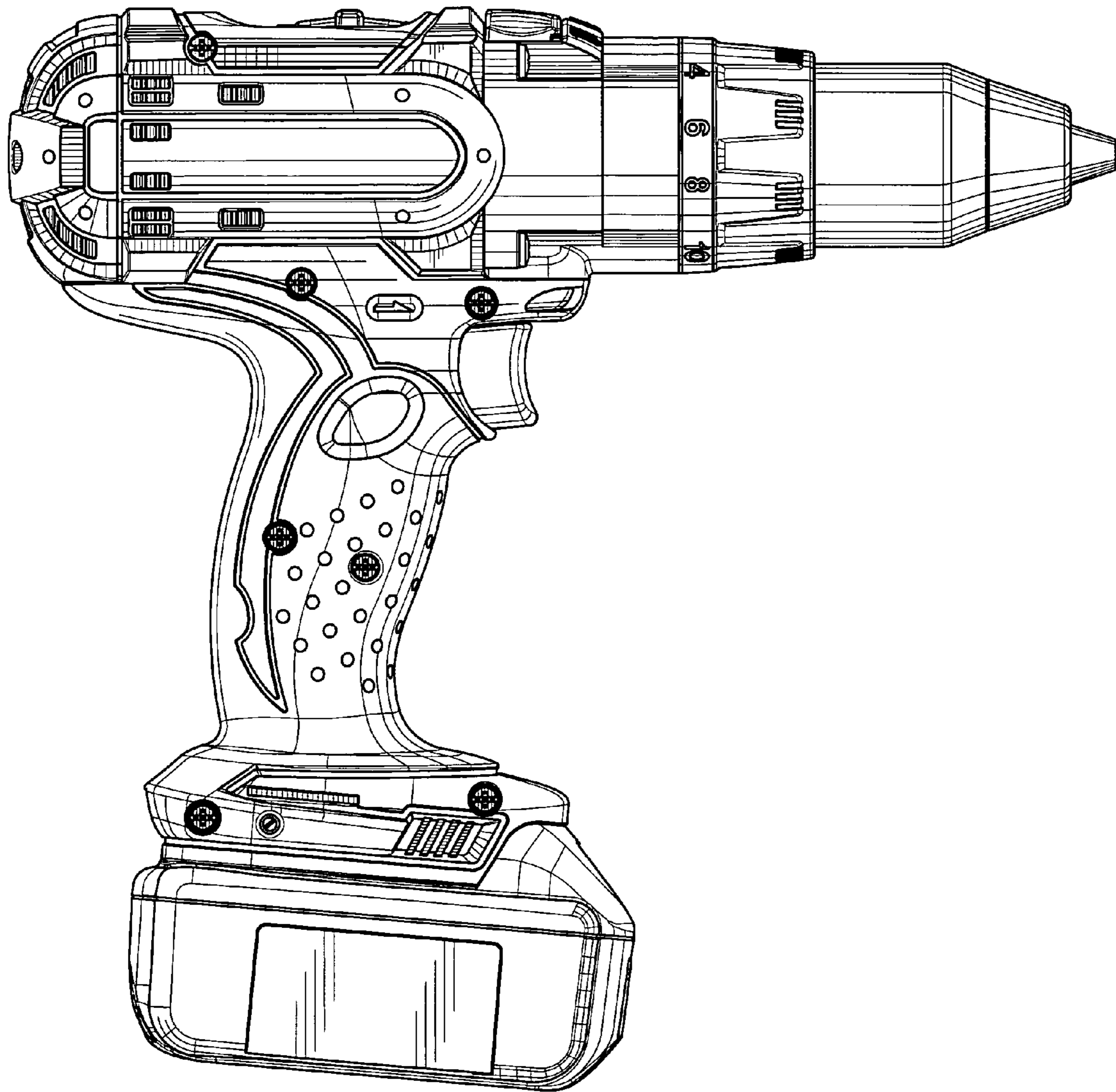


FIG. 3

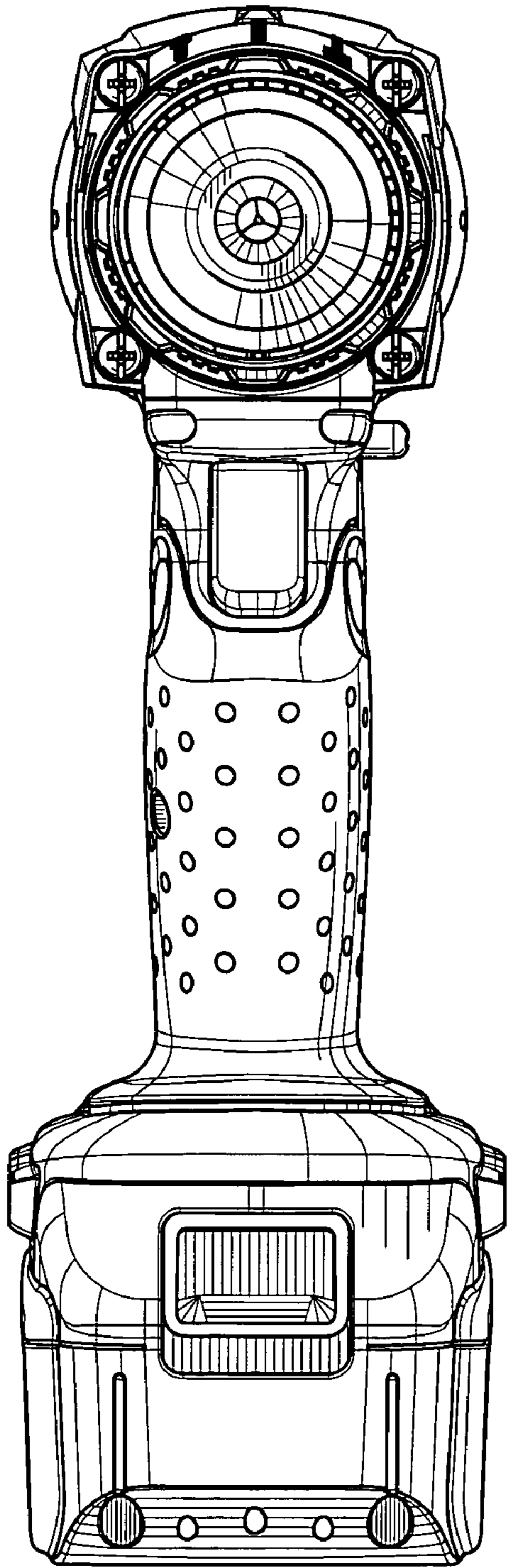


FIG. 4

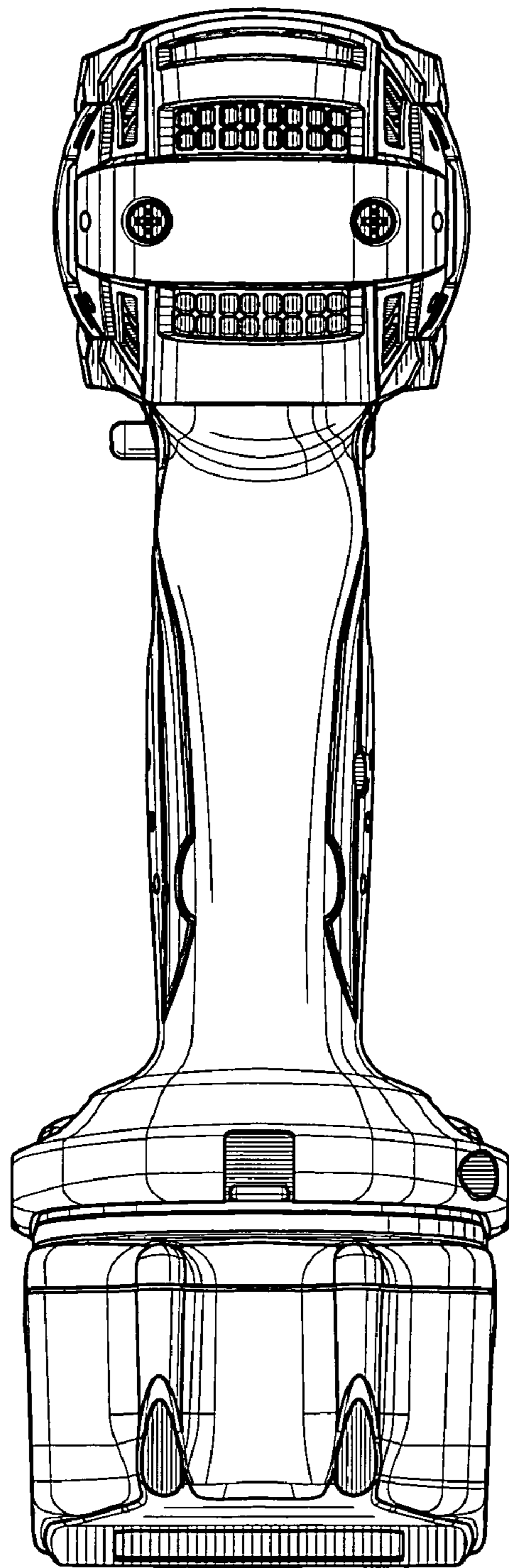


FIG. 5

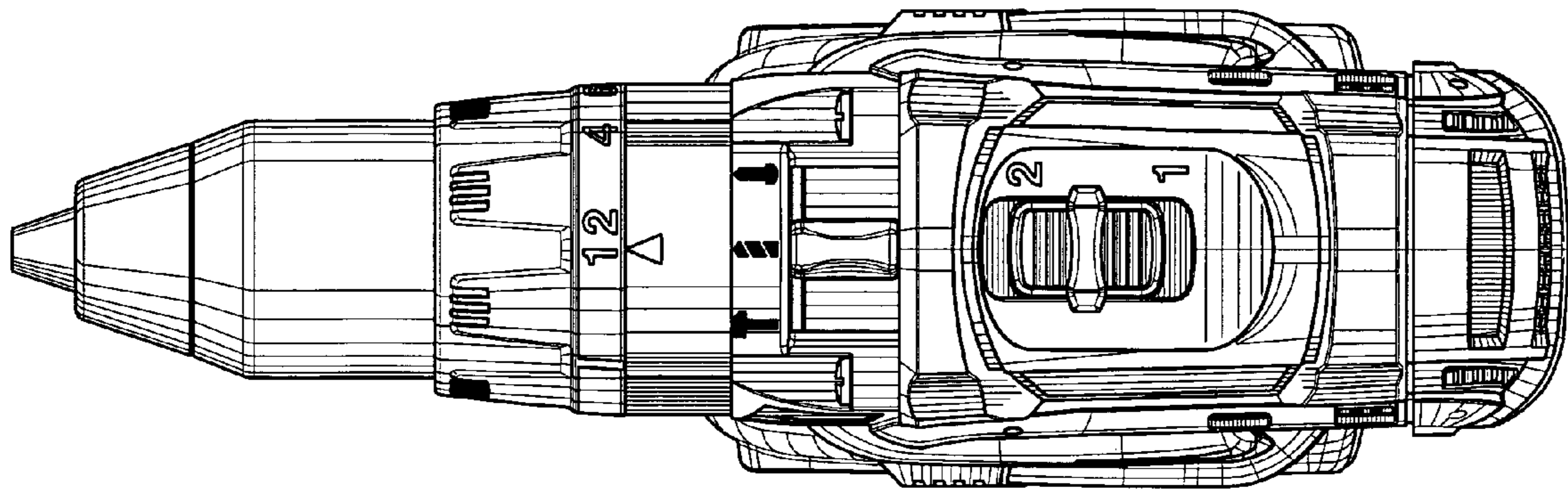


FIG. 6

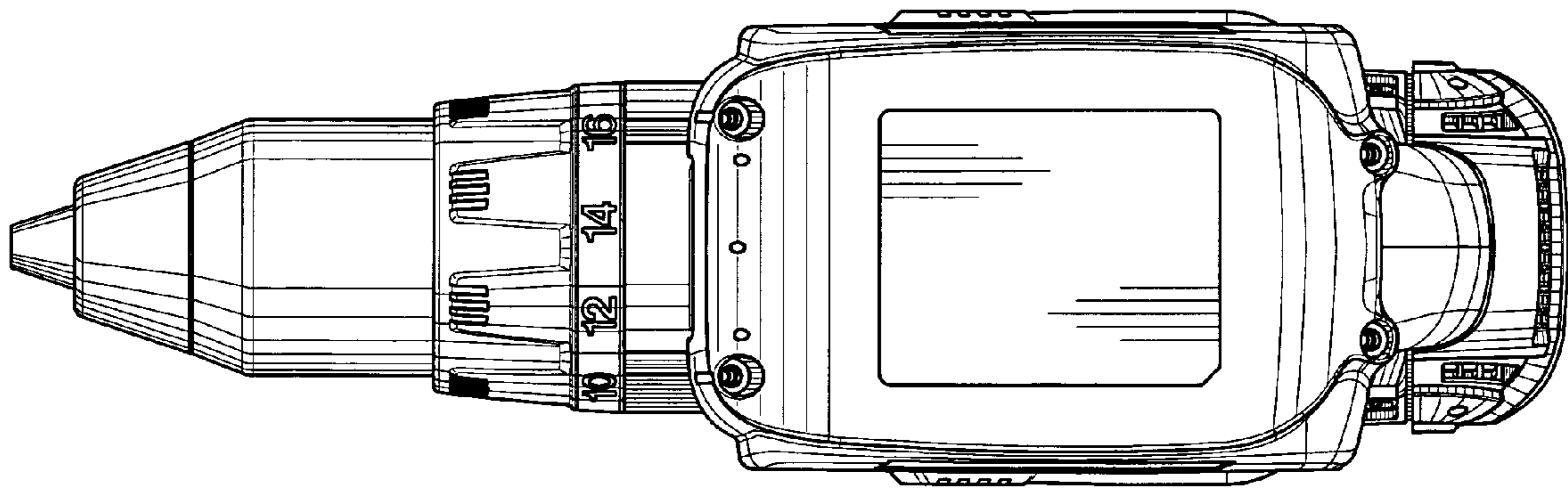


FIG. 7