



US00D589316S

(12) **United States Design Patent**
Van Wambeke

(10) **Patent No.:** **US D589,316 S**
(45) **Date of Patent:** **** Mar. 31, 2009**

(54) **DRIVER**

(75) Inventor: **Weston J. Van Wambeke**, Towson, MD (US)

(73) Assignee: **Black & Decker Inc.**, Newark, DE (US)

(**) Term: **14 Years**

(21) Appl. No.: **29/283,789**

(22) Filed: **Aug. 23, 2007**

(51) **LOC (9) Cl.** **08-05**

(52) **U.S. Cl.** **D8/68**

(58) **Field of Classification Search** D8/14.1,
D8/61, 62, 63, 64, 65, 66, 67, 68, 69, 70;
81/57.11, 429, 454, 455, 456, 469, 489; 173/13,
173/104, 114, 168, 169, 170, 171, 178, 201,
173/211, 213, 217; 408/20, 124, 125, 234,
408/241 R; 451/358; 310/50; 227/8, 113,
227/114, 120, 130, 136, 142

See application file for complete search history.

(56) **References Cited**

U.S. PATENT DOCUMENTS

| | | | |
|----------------|---------|-----------------|----------|
| D353,526 S | 12/1994 | Hoshino | |
| 5,372,206 A * | 12/1994 | Sasaki et al. | 173/178 |
| D394,995 S * | 6/1998 | Cooper | D8/68 |
| D400,074 S * | 10/1998 | Cooper | D8/68 |
| D400,415 S * | 11/1998 | Zurwelle | D8/68 |
| D400,416 S * | 11/1998 | Zurwelle | D8/68 |
| D402,872 S * | 12/1998 | Clowers et al. | D8/68 |
| D403,565 S | 1/1999 | Chung | |
| D406,741 S * | 3/1999 | Zurwelle | D8/68 |
| 5,984,022 A * | 11/1999 | Harman et al. | 81/57.11 |
| D426,125 S * | 6/2000 | Hayakawa et al. | D8/68 |
| D439,123 S * | 3/2001 | Sakai et al. | D8/68 |
| 6,240,816 B1 * | 6/2001 | Riedl et al. | 81/429 |
| D466,779 S * | 12/2002 | Shibata et al. | D8/68 |
| D467,481 S * | 12/2002 | Watson | D8/68 |
| D467,482 S * | 12/2002 | Kunz et al. | D8/68 |
| D467,781 S * | 12/2002 | Kunz et al. | D8/68 |
| D470,378 S * | 2/2003 | Chunn et al. | D8/68 |

| | | | |
|----------------|---------|--------------------|-----------|
| D474,953 S * | 5/2003 | Santarsiero et al. | D8/68 |
| D482,254 S * | 11/2003 | Tsuzuki et al. | D8/68 |
| D486,049 S * | 2/2004 | Sugiura et al. | D8/68 |
| 6,702,530 B2 * | 3/2004 | Bennage et al. | 408/241 R |
| 6,729,414 B2 * | 5/2004 | Cooper et al. | 173/217 |
| D490,677 S * | 6/2004 | Chung et al. | D8/68 |
| D492,565 S * | 7/2004 | Stirm | D8/68 |
| D496,573 S * | 9/2004 | Cooper | D8/68 |
| D498,400 S | 11/2004 | Wu | |
| D507,952 S | 8/2005 | Wu | |
| D521,338 S * | 5/2006 | Wai | D8/68 |
| D531,874 S * | 11/2006 | Wu | D8/68 |
| D533,419 S * | 12/2006 | Aglassinger | D8/68 |
| D533,420 S * | 12/2006 | Waldron | D8/68 |
| D534,403 S * | 1/2007 | Concari | D8/68 |
| D534,405 S * | 1/2007 | Concari | D8/68 |
| D535,860 S * | 1/2007 | Cooper | D8/68 |

(Continued)

Primary Examiner—T. Chase Nelson

(74) *Attorney, Agent, or Firm*—Bruce S. Shapiro; John Yun; Wesley W. Muller

(57) **CLAIM**

The ornamental design for a driver, as shown and described.

DESCRIPTION

FIG. 1 is a right/front perspective view of a driver.

FIG. 2 is a front view thereof.

FIG. 3 is a rear view thereof.

FIG. 4 is a right side view thereof.

FIG. 5 is a left side view thereof.

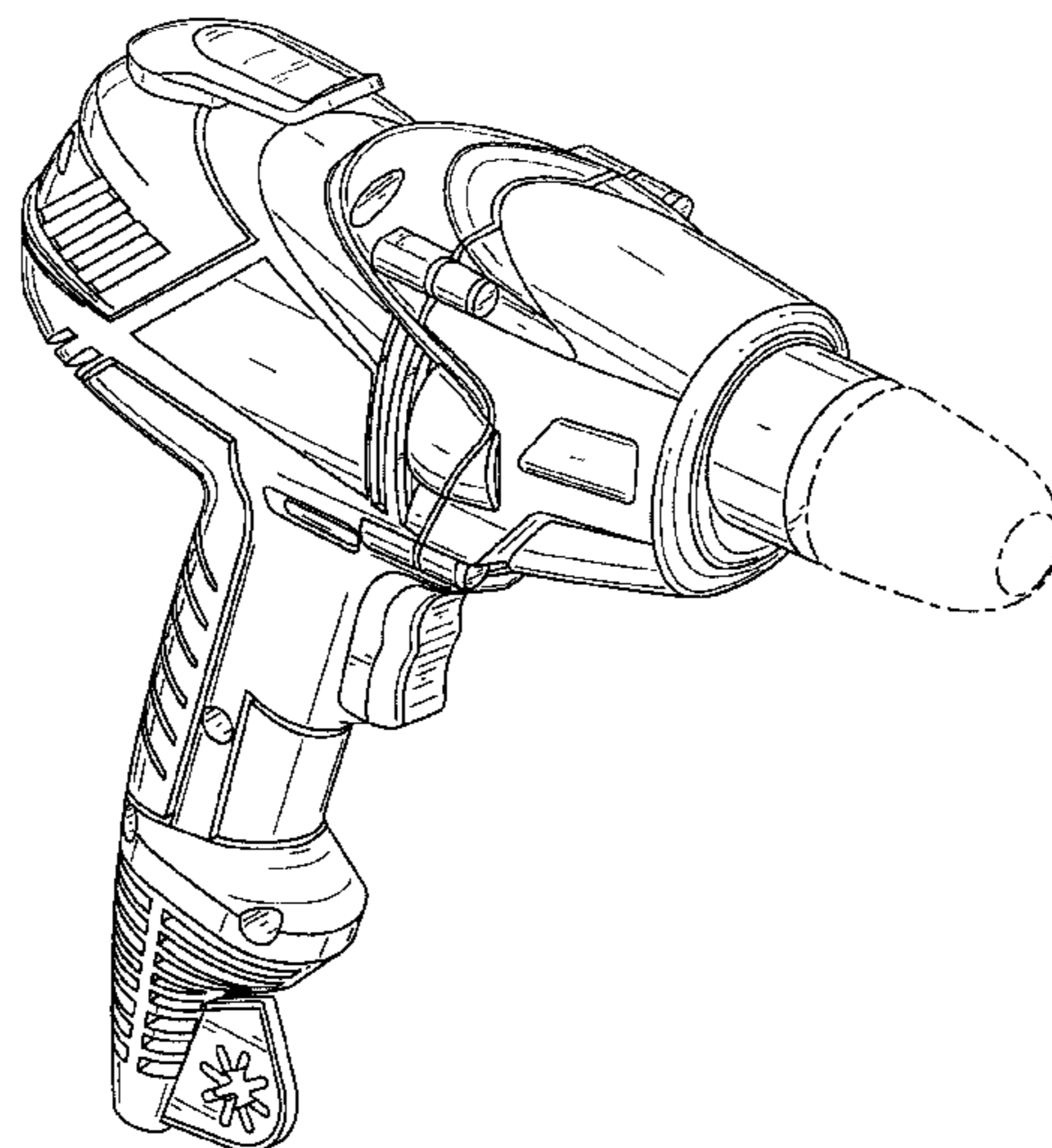
FIG. 6 is a top view thereof.

FIG. 7 is a bottom view thereof; and,

FIG. 8 is a left/rear perspective view thereof.

The broken lines are included for purposes of illustrating environmental structure. These broken lines and the structure they depict form no part of the claimed design.

1 Claim, 7 Drawing Sheets



US D589,316 S

Page 2

| U.S. PATENT DOCUMENTS | | | | | | |
|-----------------------|------|--------------|------|---------|---------------------|-----------|
| | | 7,401,663 | B2 * | 7/2008 | Craven et al. | 173/217 |
| D540,135 | S * | 2003/0070822 | A1 * | 4/2003 | Kanzaki et al. | 173/217 |
| D563,185 | S * | 2003/0165366 | A1 * | 9/2003 | Bennage et al. | 408/241 R |
| D567,617 | S * | 2005/0257945 | A1 * | 11/2005 | Justis et al. | 173/170 |
| 739,834 | A1 * | | | | | |

* cited by examiner

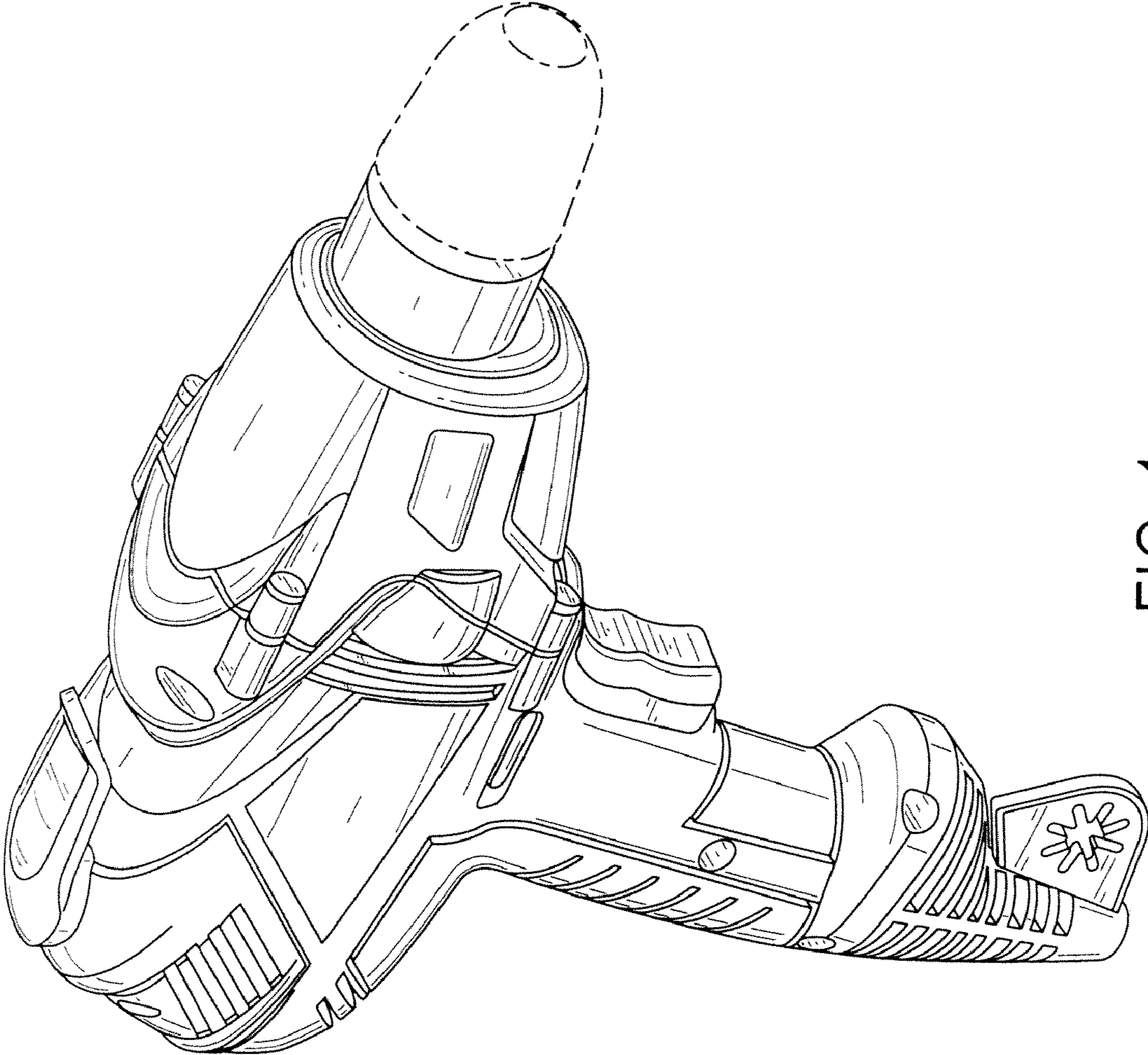


FIG. 1

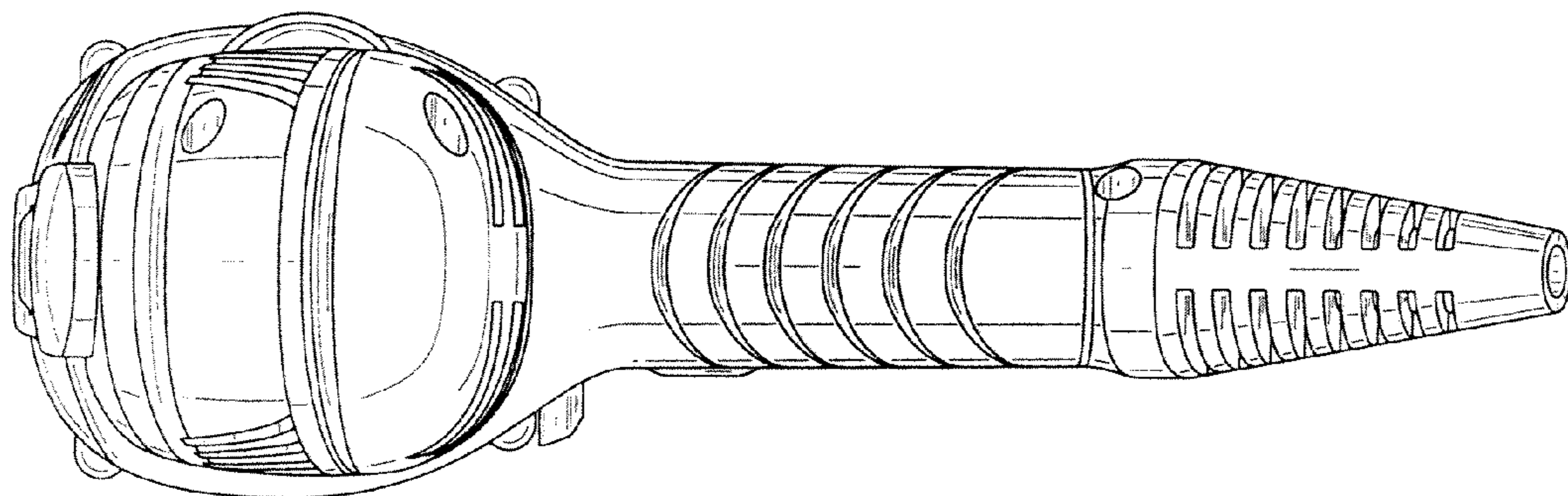


FIG. 3

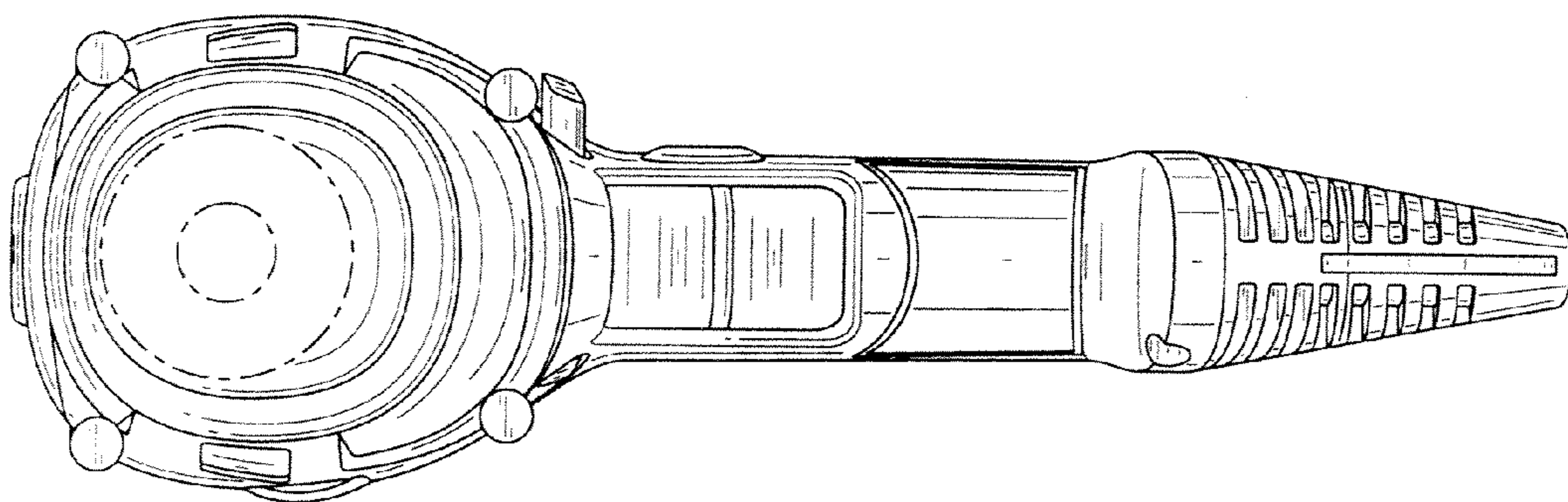


FIG. 2

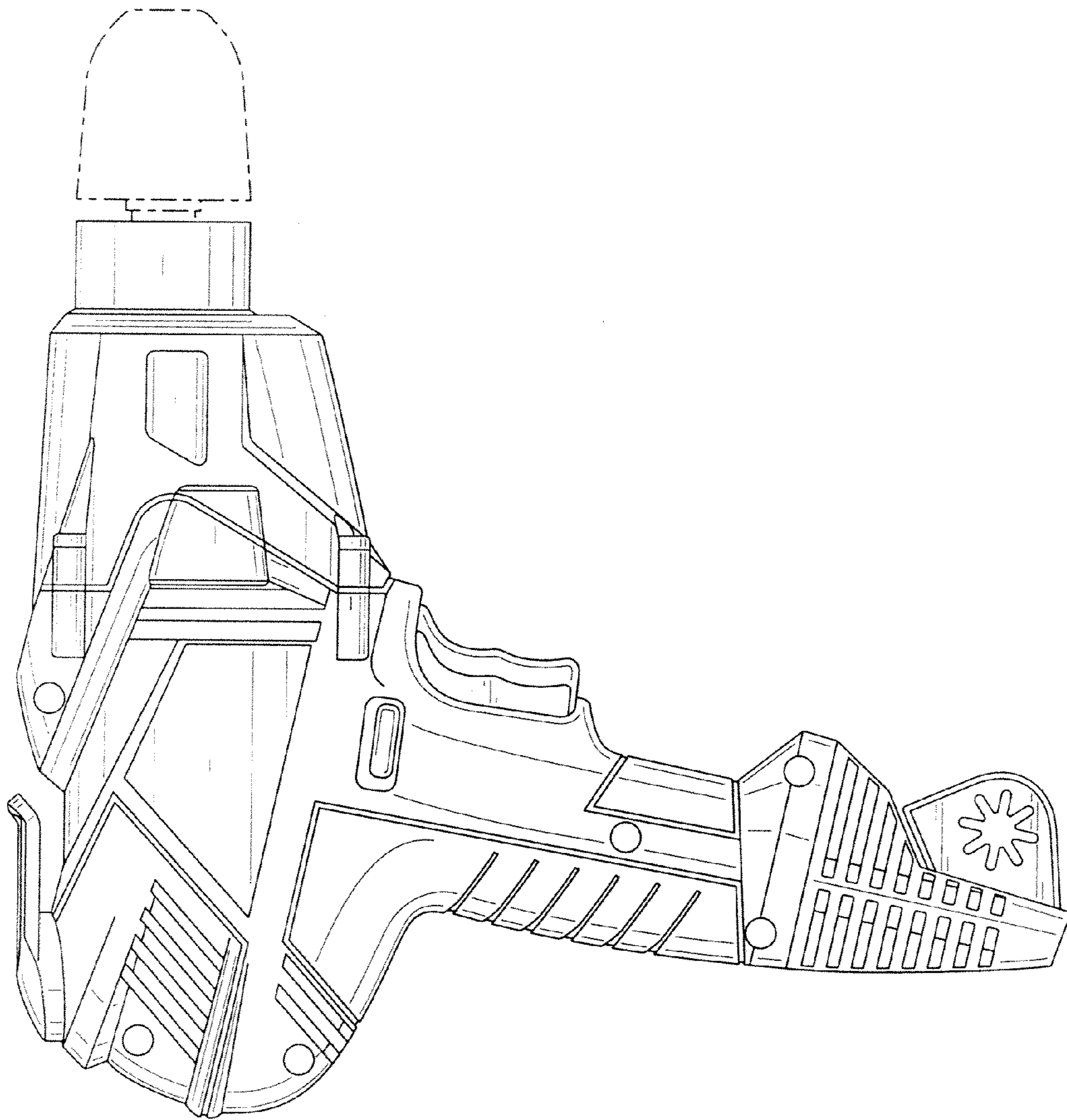


FIG. 4

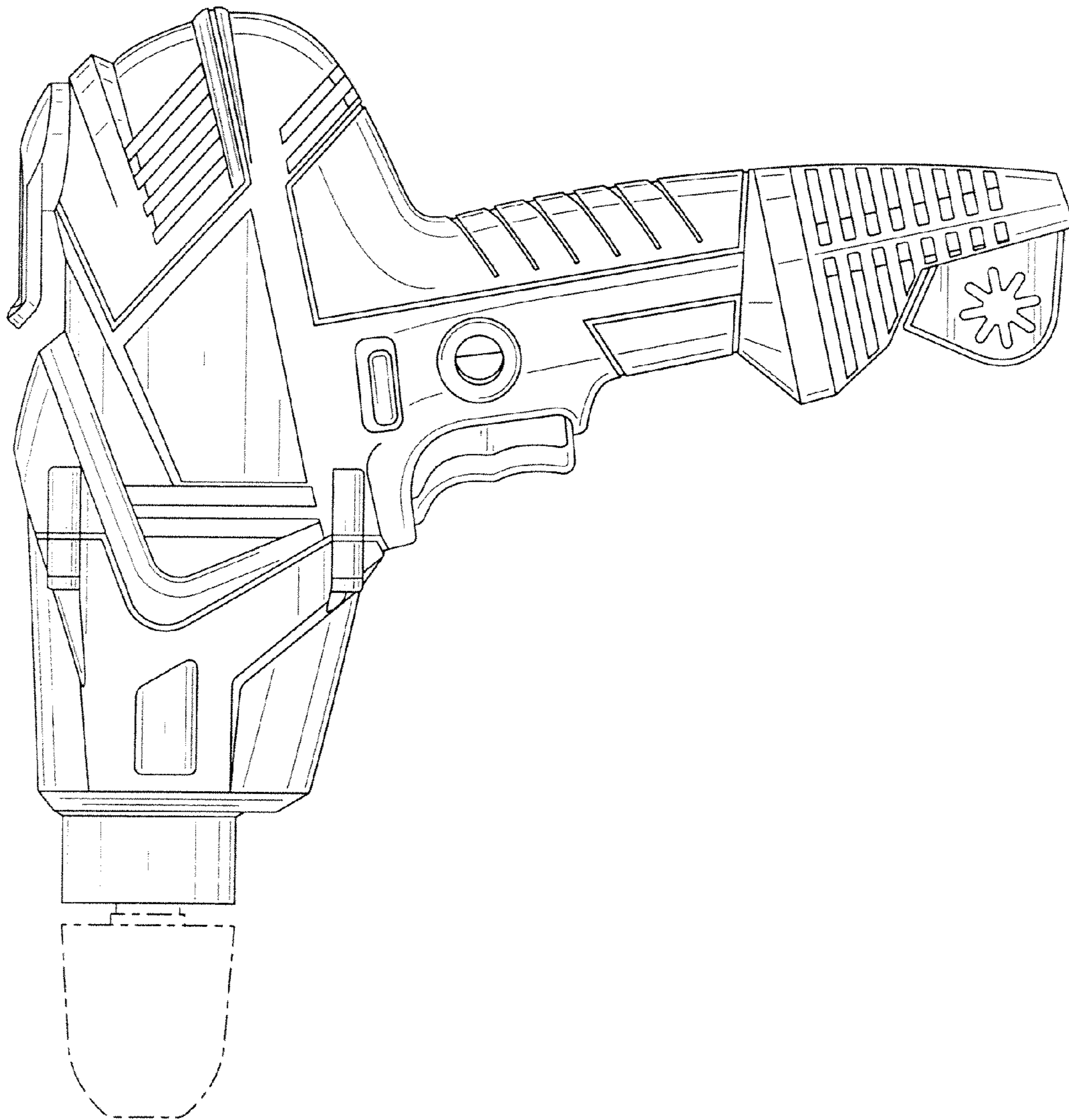


FIG. 5

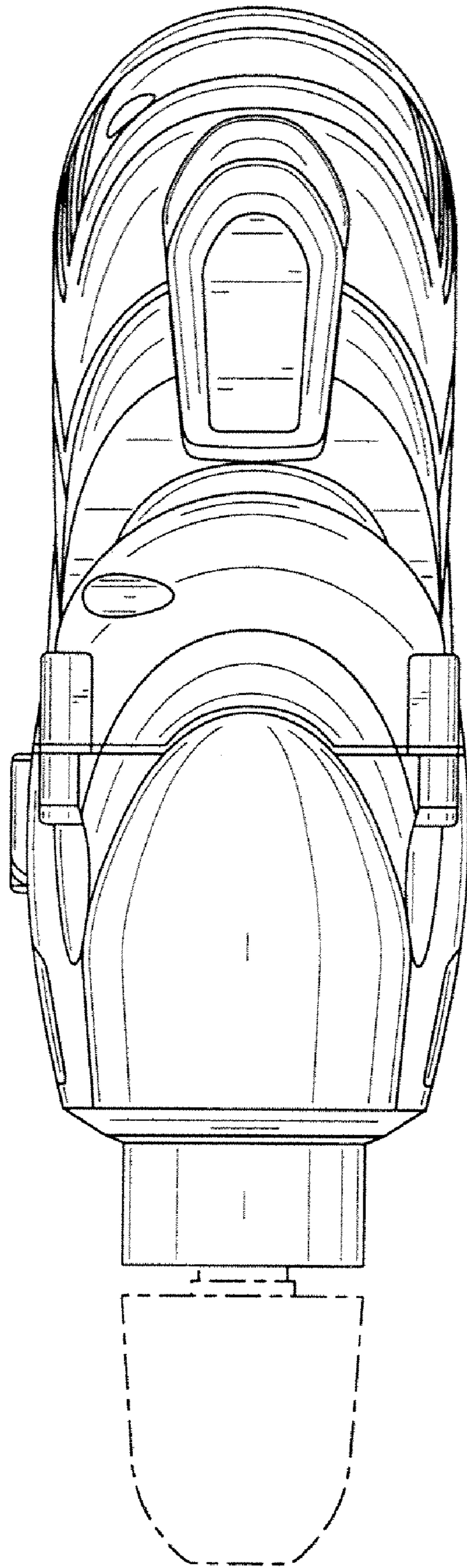


FIG. 6

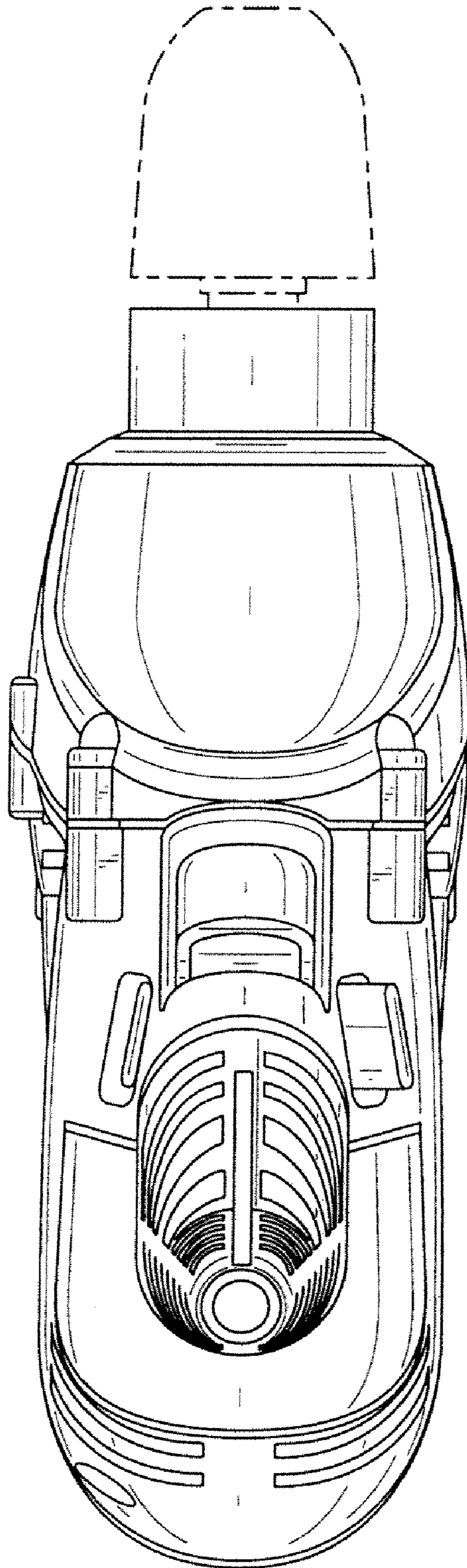


FIG. 7

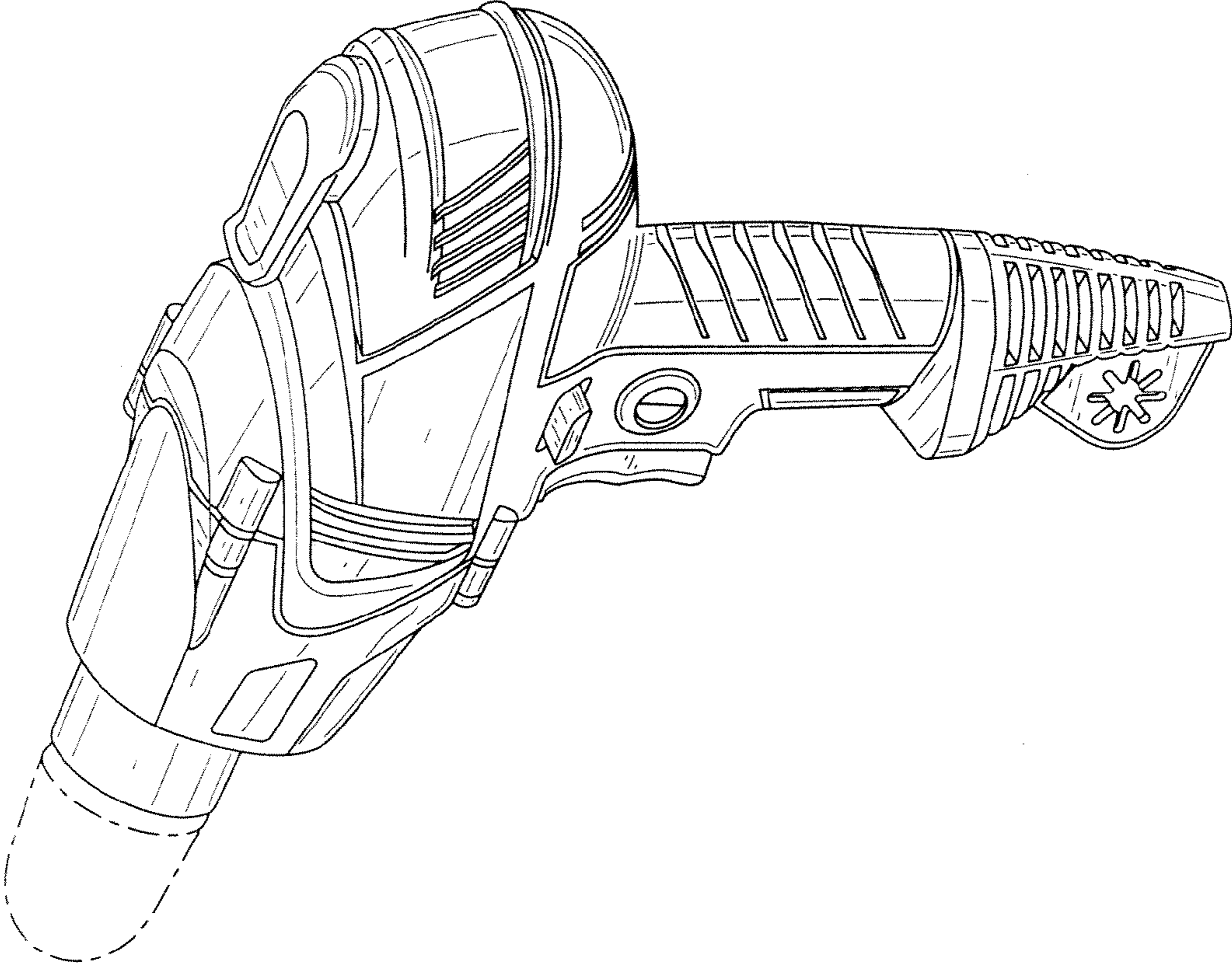


FIG. 8