



US00D589314S

(12) **United States Design Patent**  
**Irago**

(10) **Patent No.:** **US D589,314 S**  
(45) **Date of Patent:** **\*\* Mar. 31, 2009**

(54) **STAPLER**

D579,293 S \* 10/2008 Irago ..... D8/50

(75) Inventor: **Tomohiro Irago**, Tokyo (JP)

FOREIGN PATENT DOCUMENTS

(73) Assignee: **Max Co., Ltd.**, Tokyo (JP)

JP 1160636 12/2002

(\*\*) Term: **14 Years**

\* cited by examiner

(21) Appl. No.: **29/309,613**

*Primary Examiner*—Cathron C Brooks

(22) Filed: **Sep. 12, 2008**

*Assistant Examiner*—Austin Murphy

(30) **Foreign Application Priority Data**

(74) *Attorney, Agent, or Firm*—Jean C. Edwards, Esq.; Akerman Senterfitt

Mar. 14, 2008 (JP) ..... 2008-006426

(57) **CLAIM**

The ornamental design for a stapler, as shown and described.

(51) **LOC (9) Cl.** ..... **19-02**

**DESCRIPTION**

(52) **U.S. Cl.** ..... **D8/50**

FIG. 1 is a perspective view of the front, left and top of a stapler showing my new design;

(58) **Field of Classification Search** ..... D8/49,  
D8/50, 61, 68, 69; D19/72, 73, 65, 69; D21/532;  
D24/145; 7/158, 160; 227/4, 5, 6, 7, 8, 120,  
227/127, 128, 131, 132, 134, 144, 156, 175.1;  
606/139, 143, 153, 219

FIG. 2 is a perspective view of the rear, right and top thereof;

See application file for complete search history.

FIG. 3 is a front view thereof, a rear view being a mirror image thereof;

(56) **References Cited**

FIG. 4 is a left side view thereof;

U.S. PATENT DOCUMENTS

FIG. 5 is a right side view thereof;

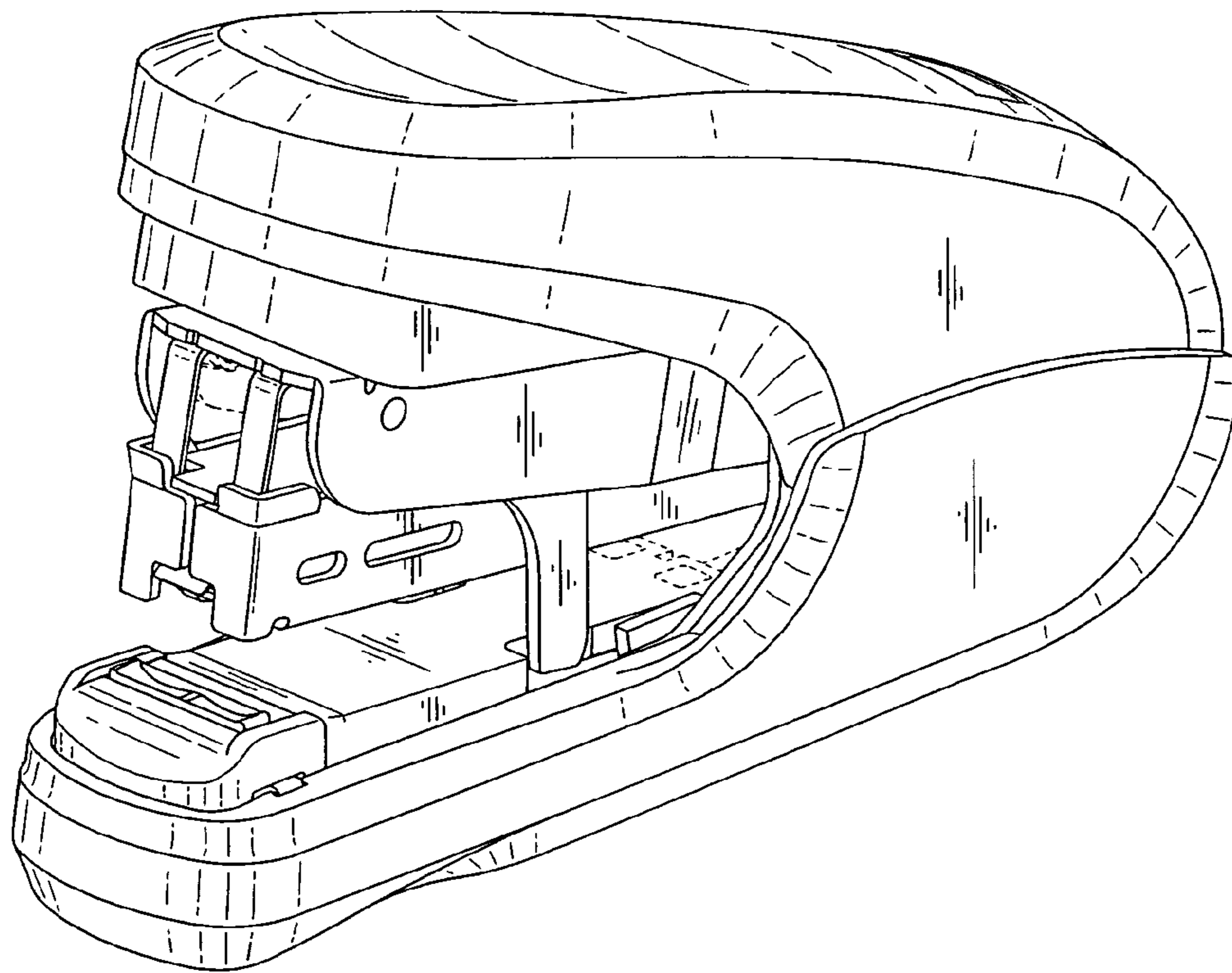
D502,369 S \* 3/2005 Nakamura ..... D8/50  
D514,905 S \* 2/2006 Bhavnani ..... D8/50  
D517,883 S \* 3/2006 Tsai ..... D8/50  
D573,856 S \* 7/2008 Nakamura et al. .... D8/50  
D574,681 S \* 8/2008 Nakamura et al. .... D8/50

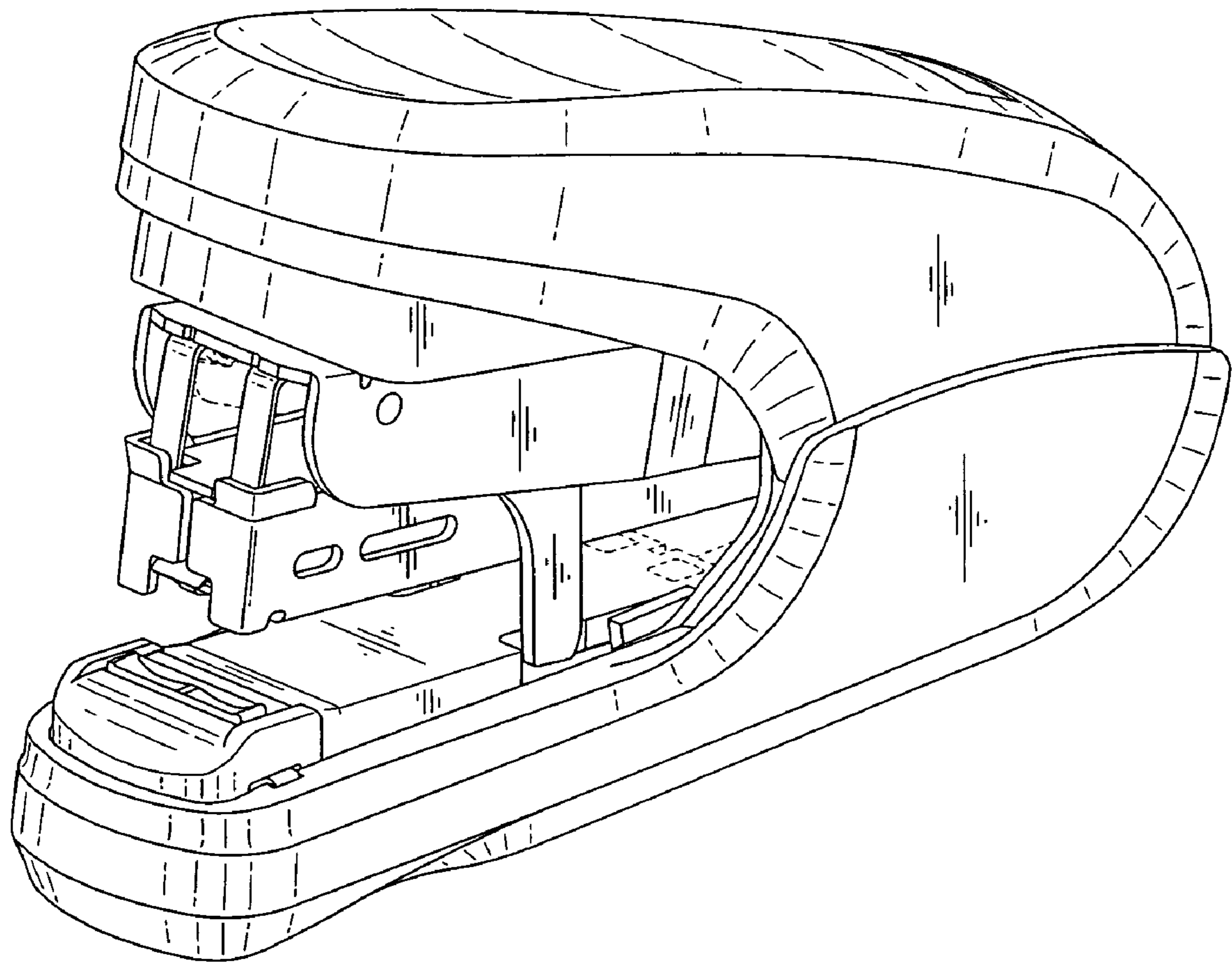
FIG. 6 is a top plan view thereof; and,

FIG. 7 is a bottom view thereof.

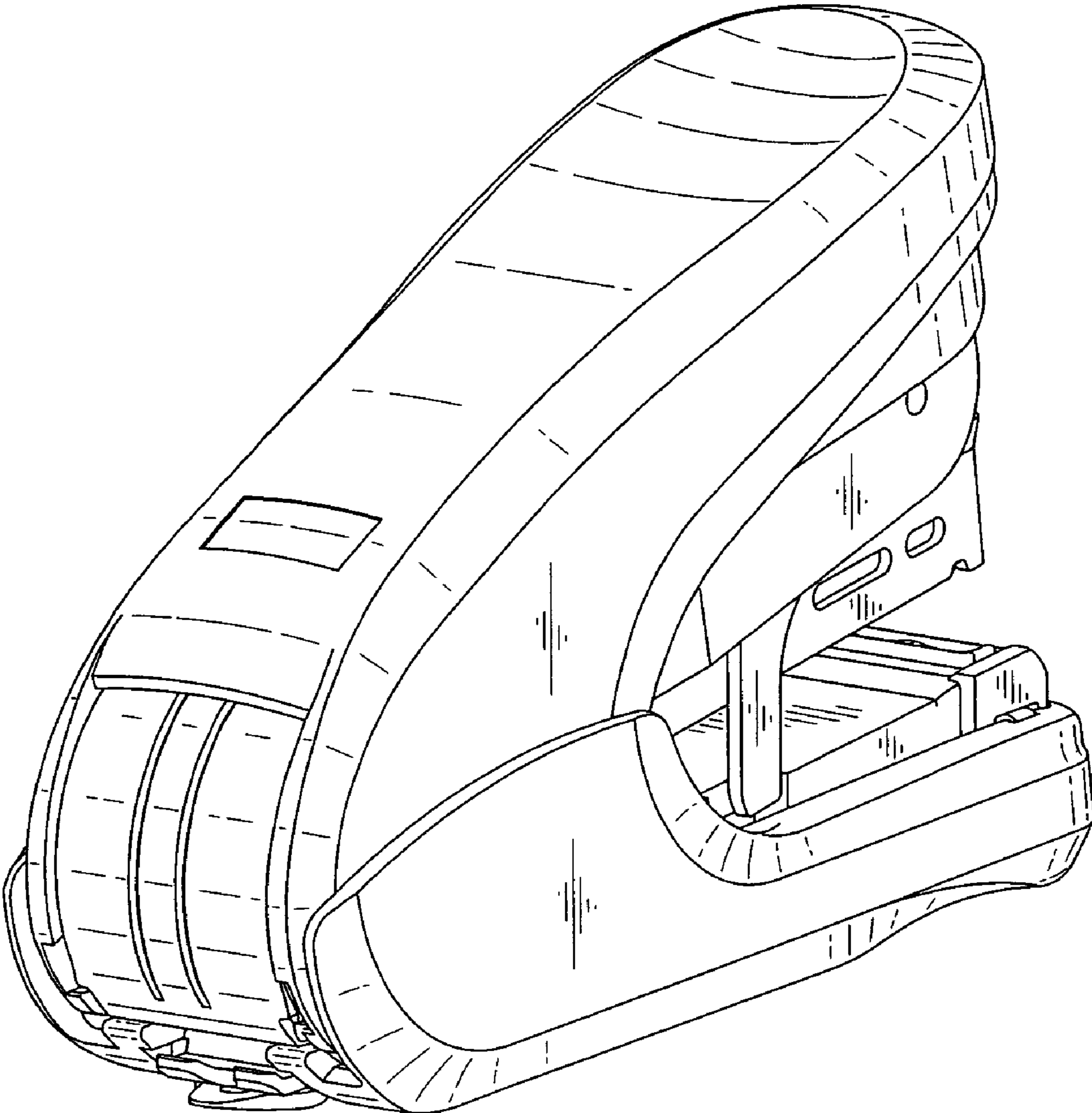
The elements shown in broken lines are for illustrative purposes only and form no part of the claimed design.

**1 Claim, 5 Drawing Sheets**





*FIG. 1*



*FIG. 2*

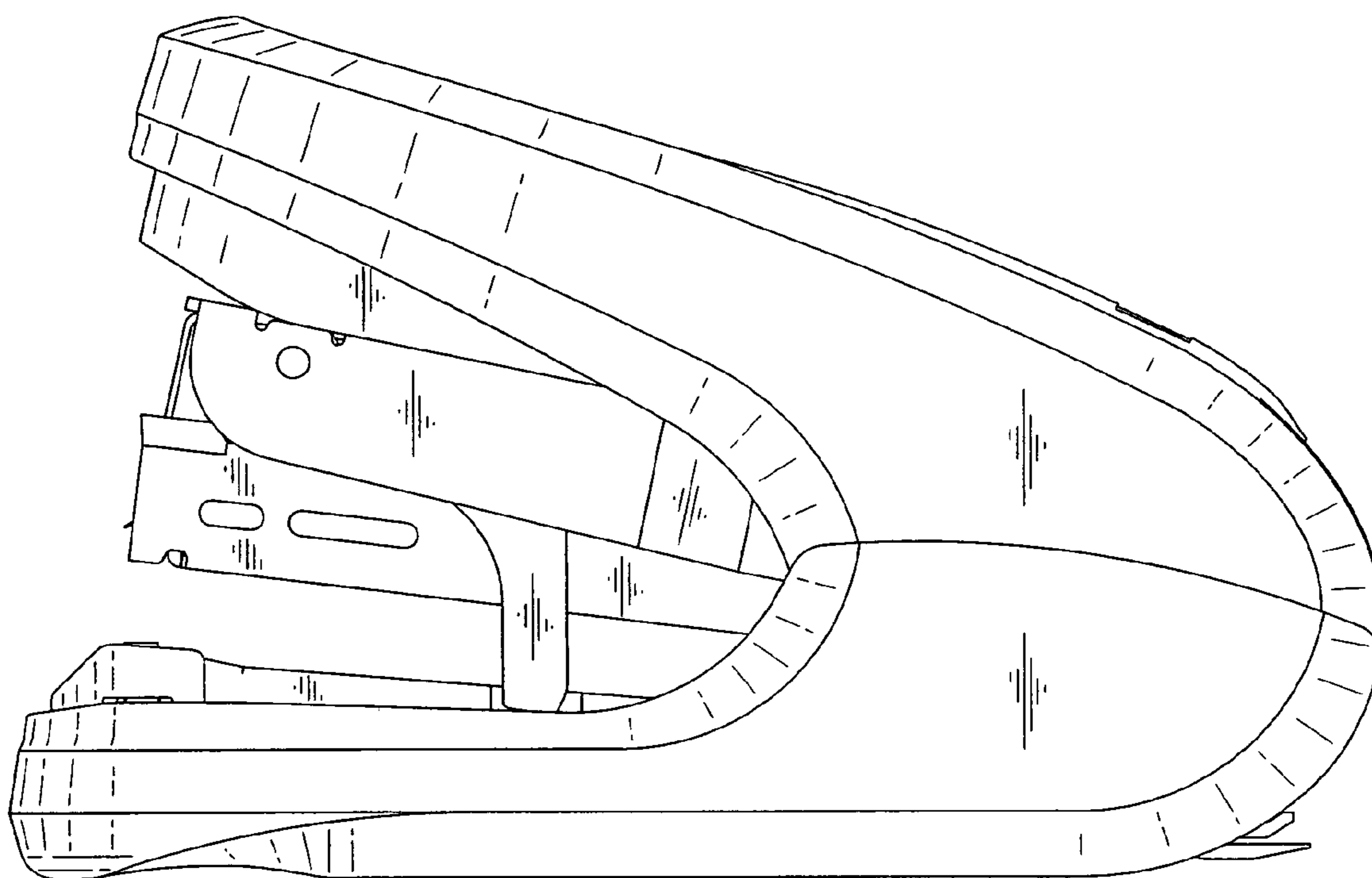
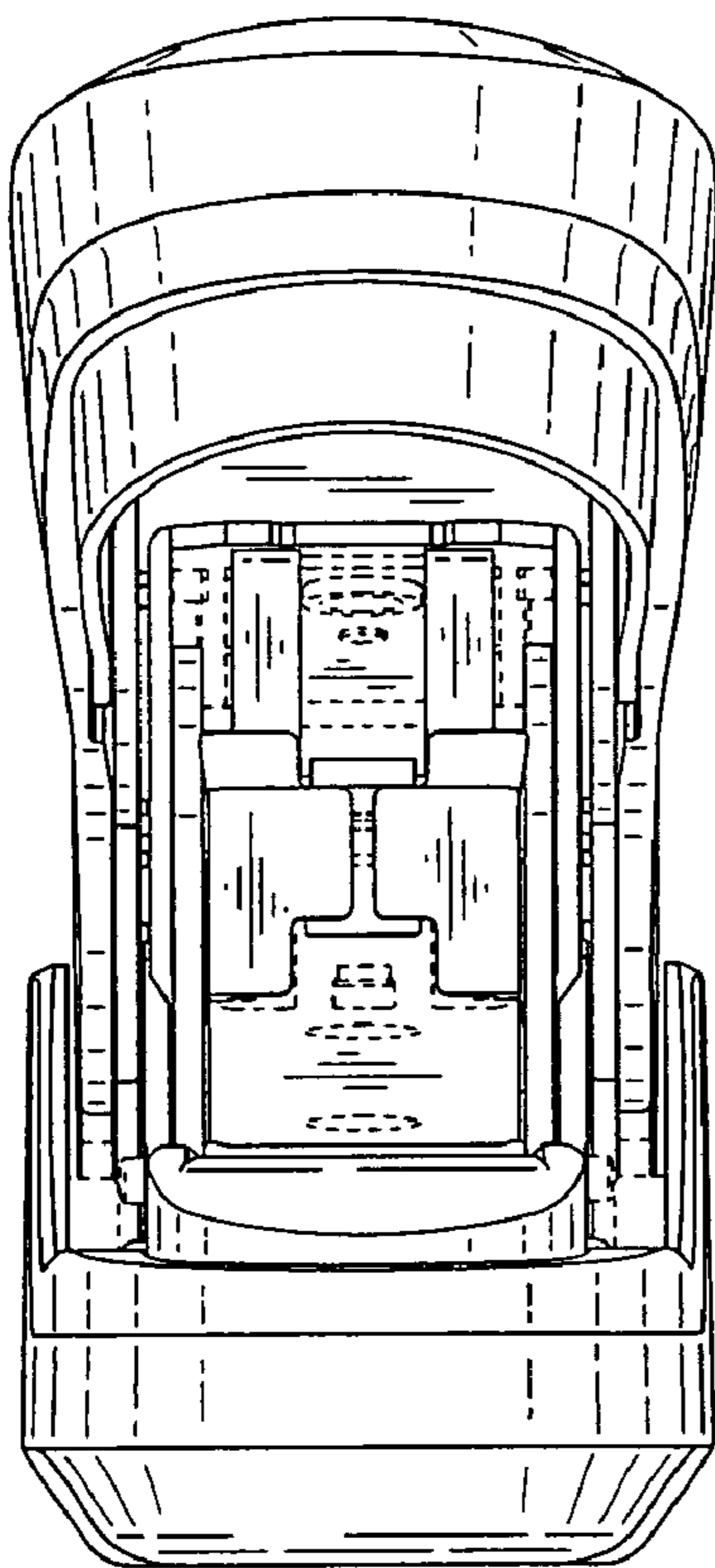
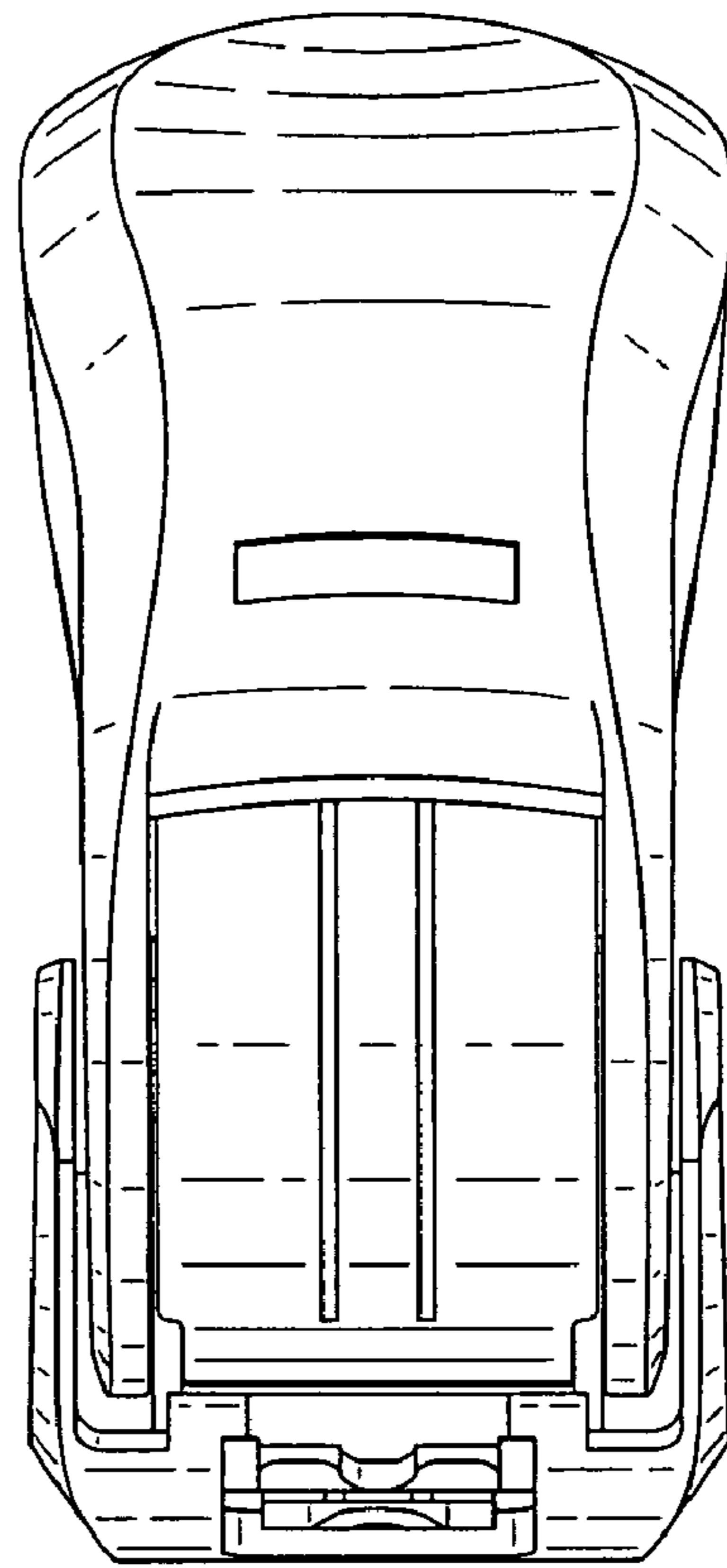


FIG. 3



*FIG. 4*



*FIG. 5*

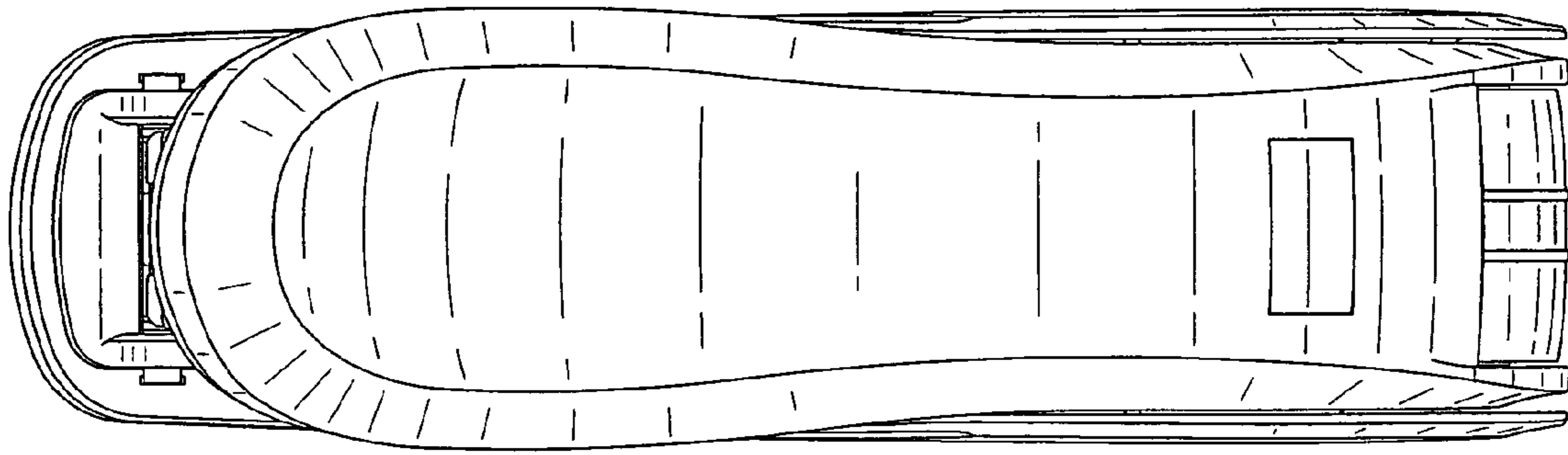


FIG. 6

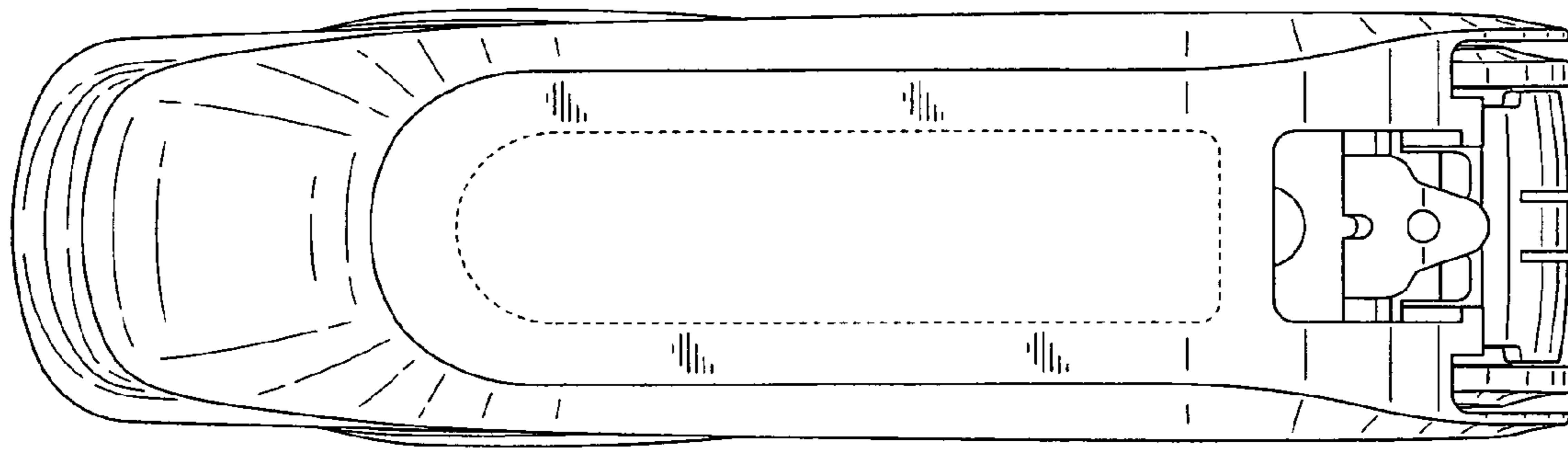


FIG. 7