



US00D589312S

(12) **United States Design Patent**
Tinius

(10) **Patent No.:** **US D589,312 S**

(45) **Date of Patent:** **** Mar. 31, 2009**

(54) **OLIVE SHAKER**

(75) Inventor: **Michael Tinius**, Elchingen (DE)

(73) Assignee: **Andreas Stihl AG & Co. KG**,
Waiblingen (DE)

(**) Term: **14 Years**

(21) Appl. No.: **29/297,364**

(22) Filed: **Nov. 9, 2007**

(30) **Foreign Application Priority Data**

May 14, 2007 (EM) 000734900-0002

(51) **LOC (9) Cl.** **08-01**

(52) **U.S. Cl.** **D8/13**

(58) **Field of Classification Search** D8/1,
D8/13; 294/49; 56/400.11, 400.16, 400.21,
56/328.1, 330, 332, 333, 340.1

See application file for complete search history.

(56) **References Cited**

U.S. PATENT DOCUMENTS

1,472,262	A *	10/1923	Abildgaard	56/340.1
2,972,851	A *	2/1961	Goehring	56/328.1
3,132,458	A *	5/1964	Russell et al.	56/340.1
3,389,543	A *	6/1968	Clark	56/337
4,357,790	A *	11/1982	Tyros	56/328.1
4,499,713	A *	2/1985	Stone	56/328.1
4,611,461	A *	9/1986	Tyros	56/328.1
D293,545	S *	1/1988	Rodgers et al.	D8/1
5,099,637	A *	3/1992	Drusiani	56/332

5,916,115 A * 6/1999 Pavone 56/328.1
7,069,713 B2 * 7/2006 Marakis 56/330

* cited by examiner

Primary Examiner—Holly H Baynham

Assistant Examiner—Sheryl Lane

(74) *Attorney, Agent, or Firm*—McGuireWoods LLP

(57) **CLAIM**

I claim the ornamental design for an olive shaker, as shown and described.

DESCRIPTION

FIG. 1 is a right side view of the ornamental appearance of the olive shaker;

FIG. 2 is a left rear perspective view of the olive shaker shown in FIG. 1;

FIG. 3 is a top partial view of the olive shaker shown in FIG. 1;

FIG. 4 is a bottom partial view of the olive shaker shown in FIG. 1;

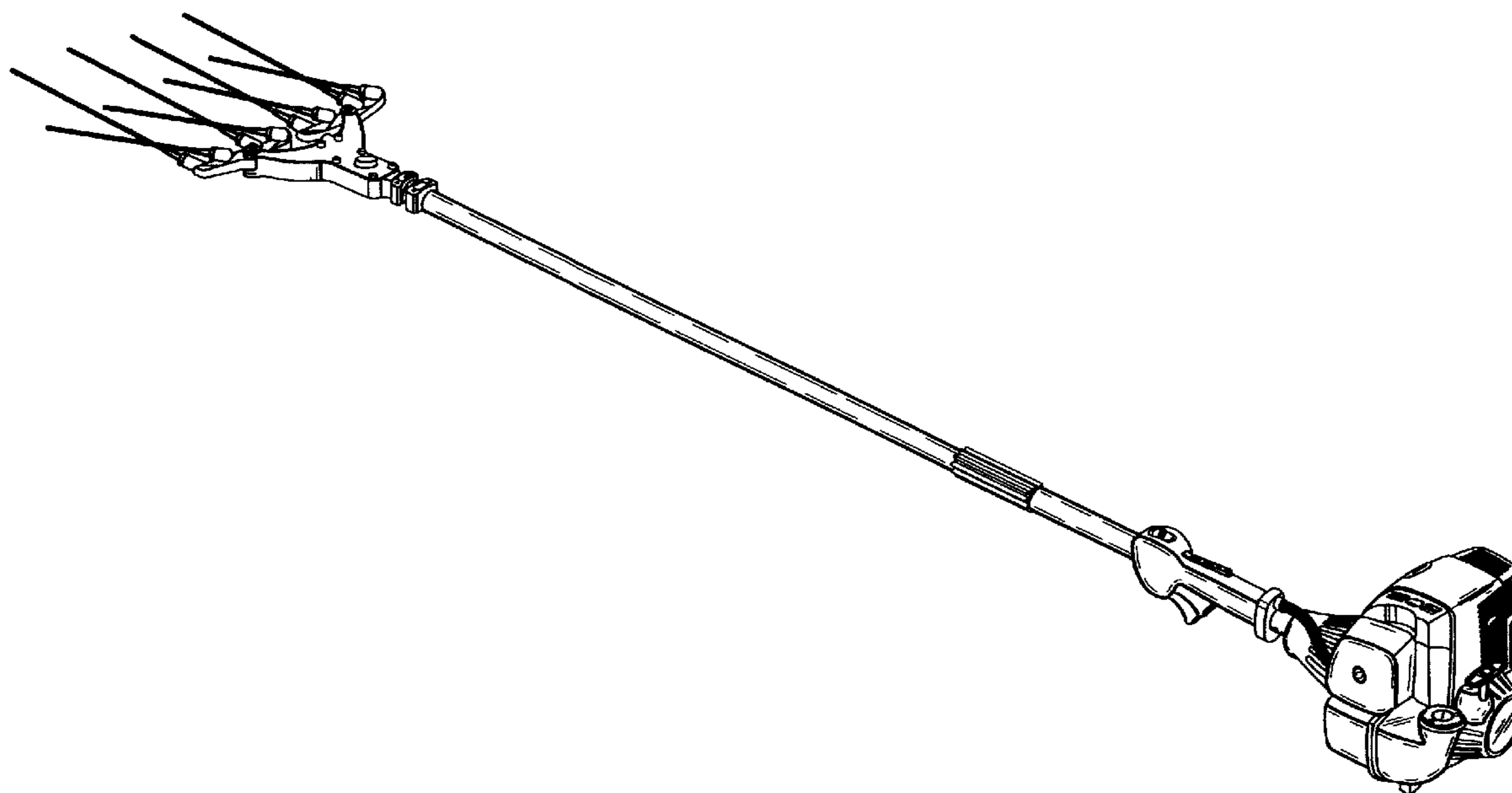
FIG. 5 is a left side partial view of the olive shaker shown in FIG. 1;

FIG. 6 is a top left partial perspective view of the olive shaker shown in FIG. 1; and,

FIG. 7 is a bottom left partial perspective view of the olive shaker shown in FIG. 1.

Any surfaces of the design not shown, including interior or bottom surfaces, form no part of the claimed invention.

1 Claim, 7 Drawing Sheets



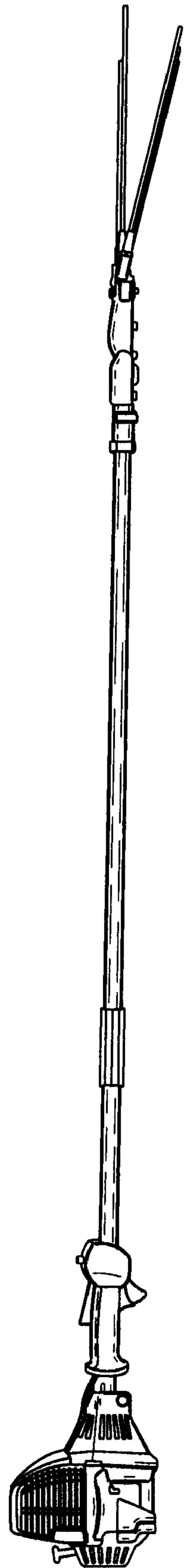


FIG. 1



FIG. 2

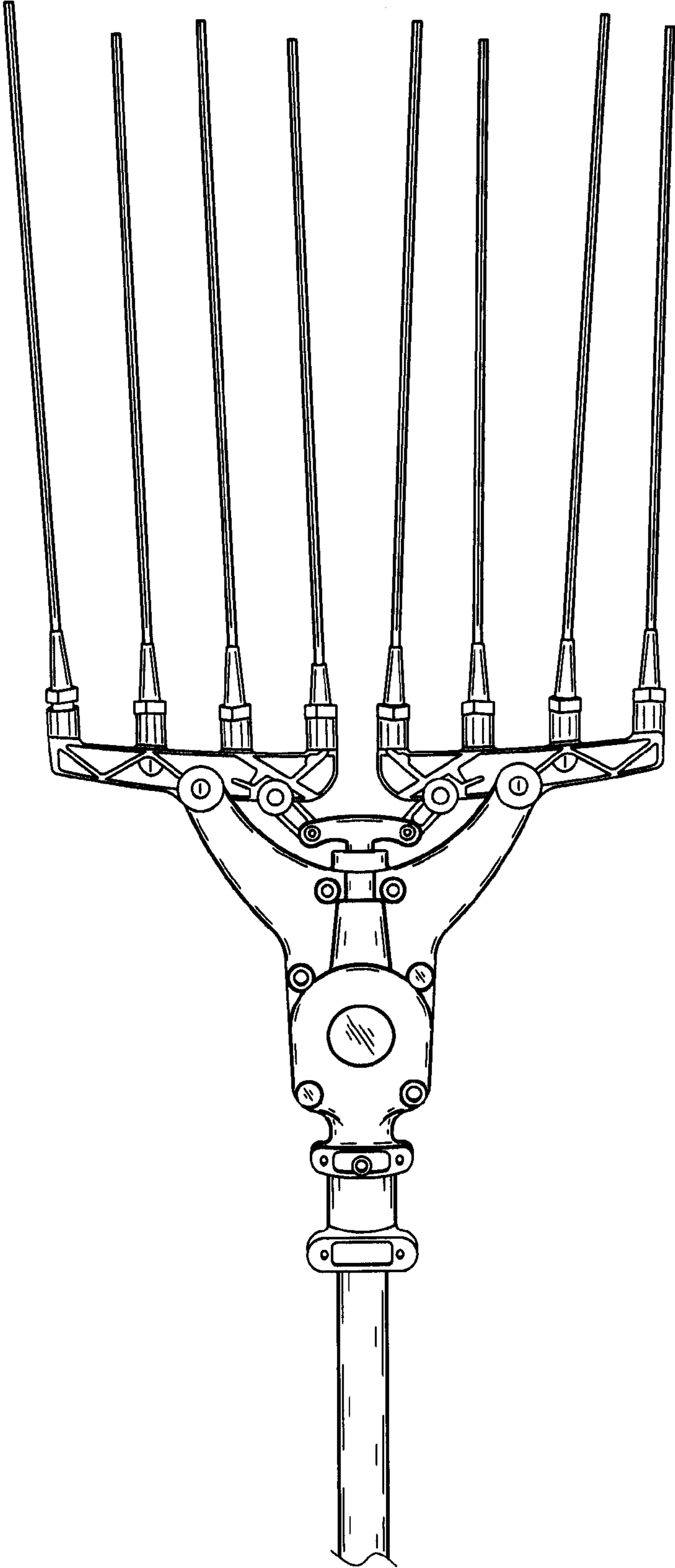


FIG. 3

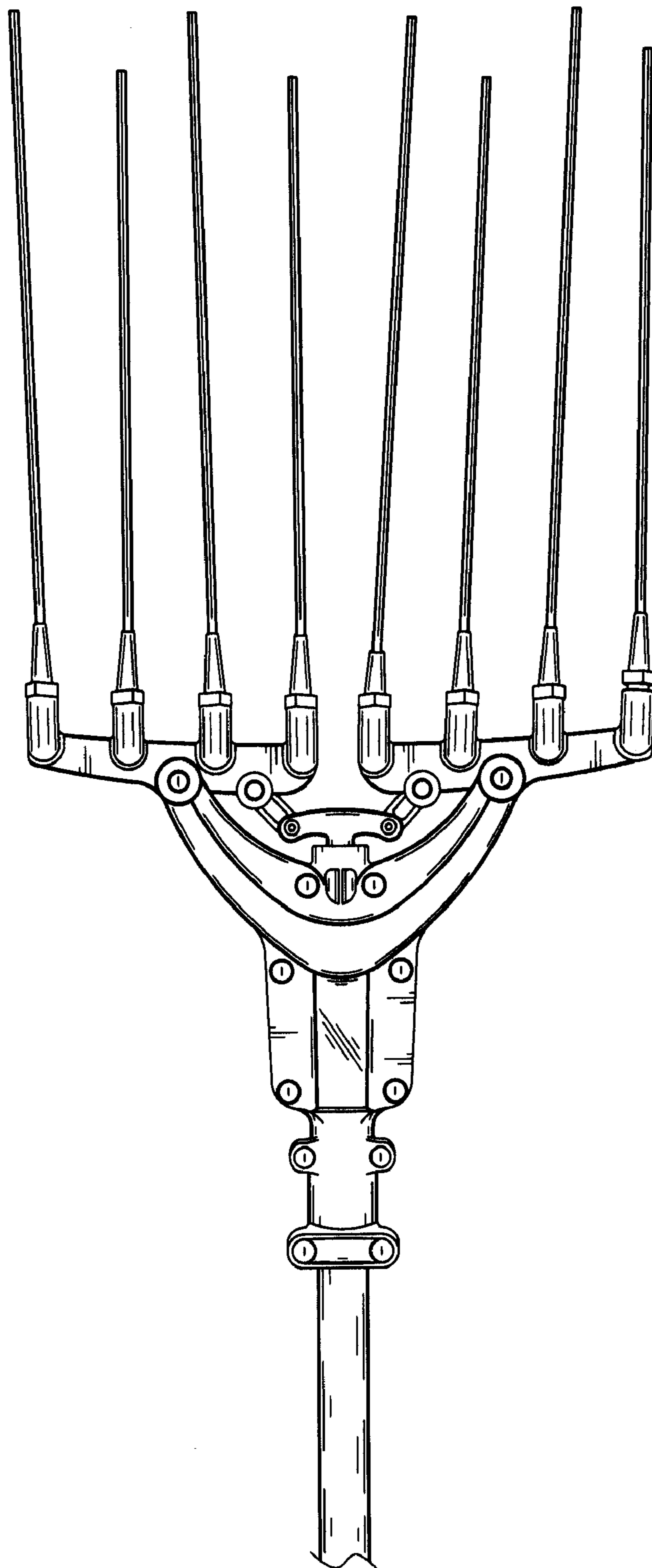


FIG. 4

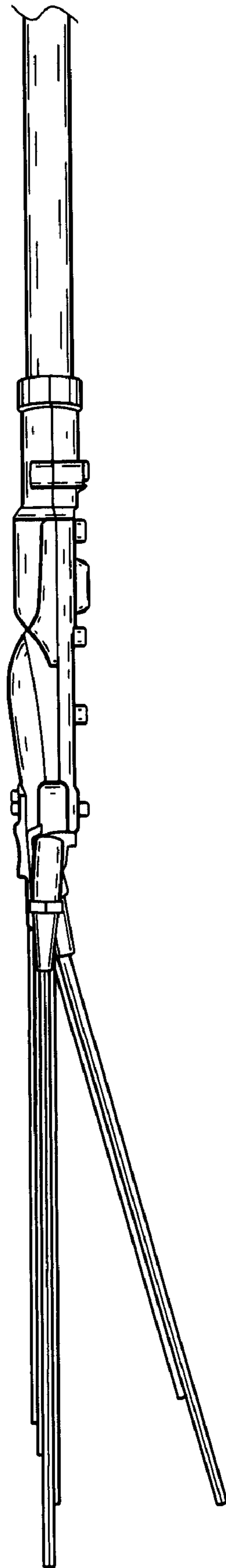


FIG. 5

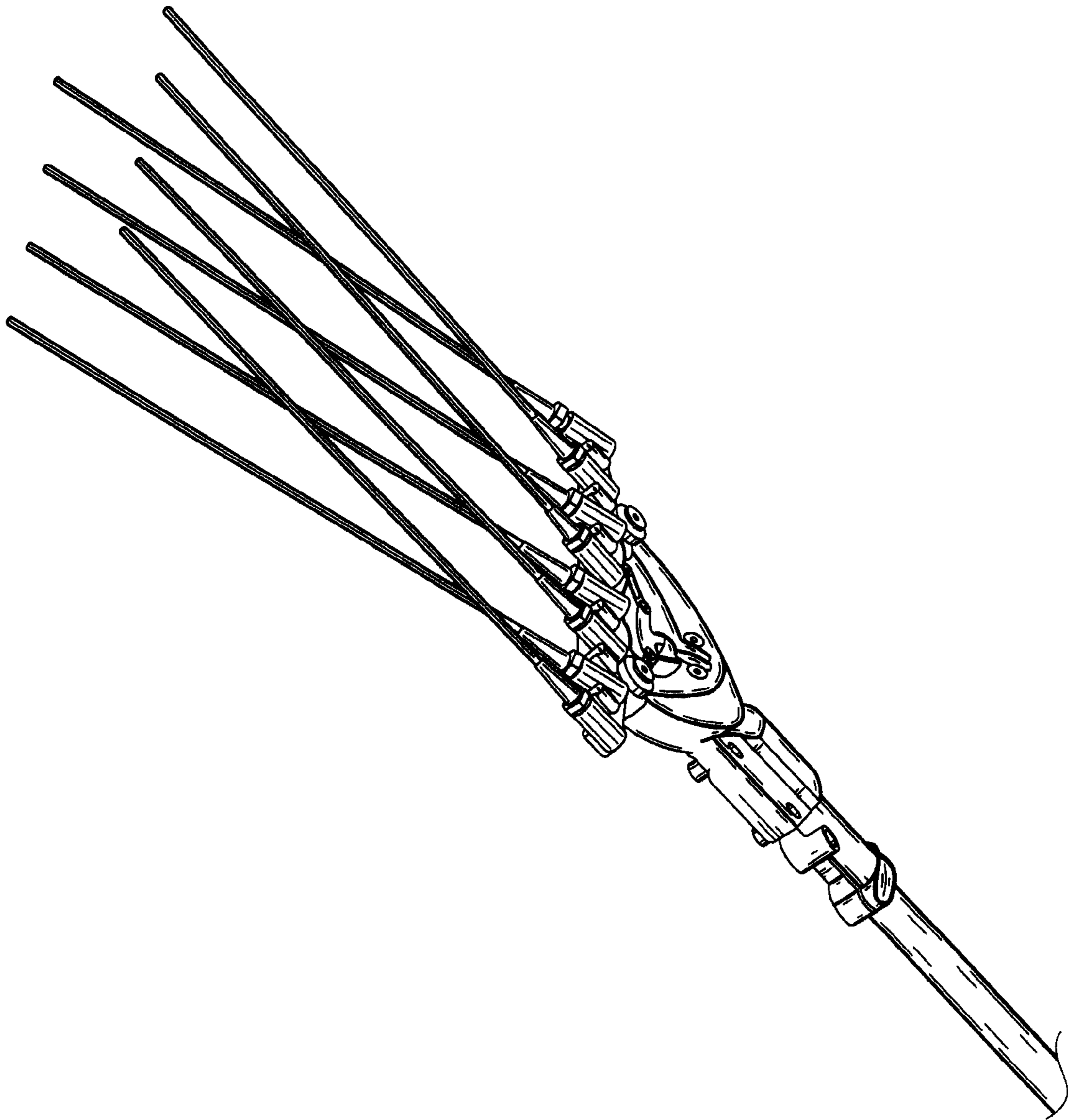


FIG. 6

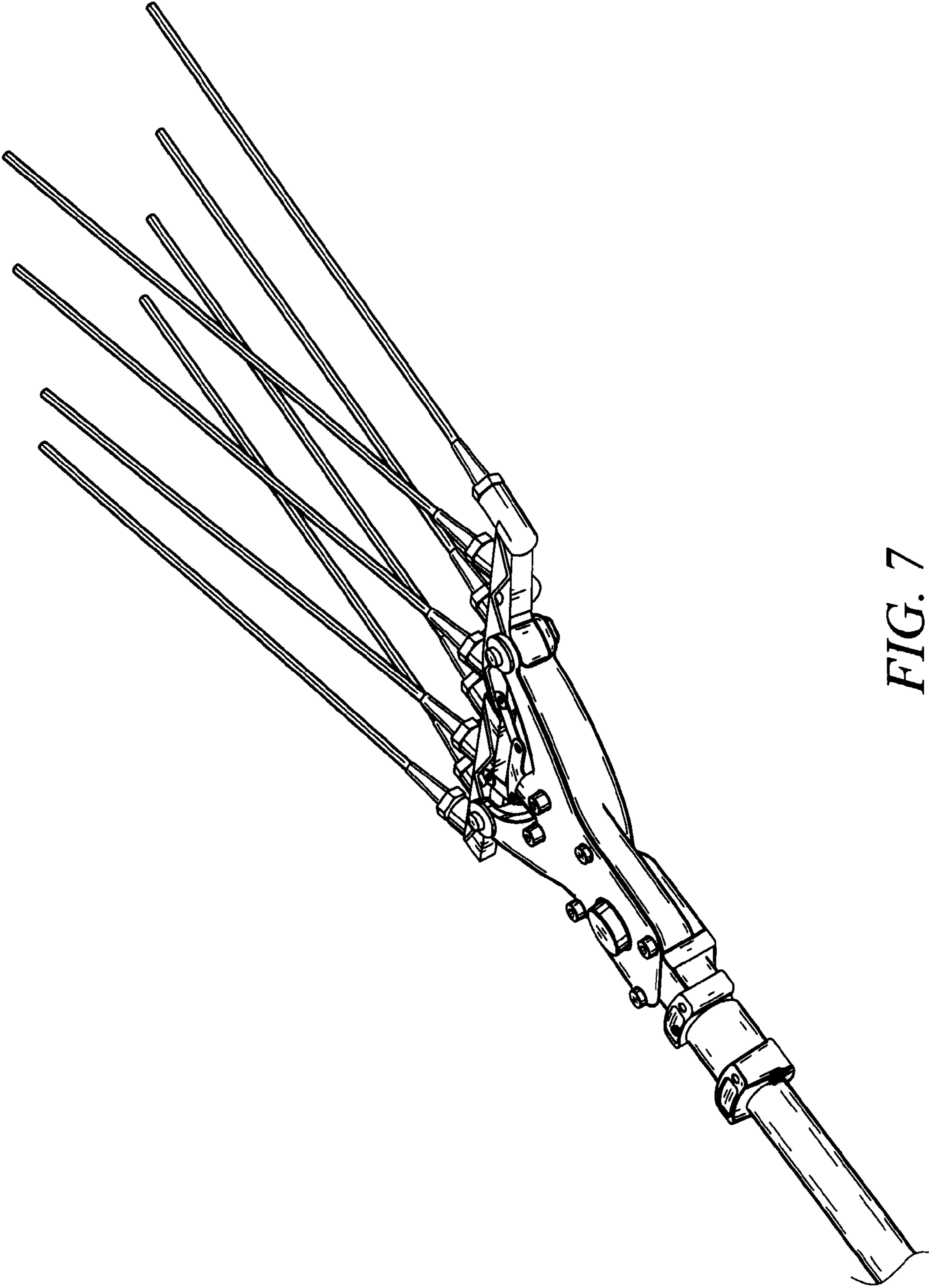


FIG. 7