



US00D589309S

(12) **United States Design Patent**  
**Olivari**

(10) **Patent No.:** **US D589,309 S**  
(45) **Date of Patent:** **\*\* Mar. 31, 2009**

(54) **HAND OPERATED VEGETABLE DICER**  
(75) Inventor: **Christian Olivari**, Orlando, FL (US)  
(73) Assignee: **Dart Industries Inc.**, Orlando, FL (US)  
(\*\*) Term: **14 Years**

6,805,032 B2 \* 10/2004 Engdahl ..... 83/597  
D499,615 S \* 12/2004 Nordgren ..... D7/674  
D513,942 S 1/2006 de Groote  
D529,768 S 10/2006 de Groote  
2004/0055437 A1 \* 3/2004 Engdahl ..... 83/597  
2006/0101973 A1 \* 5/2006 Repac et al. .... 83/651

\* cited by examiner

(21) Appl. No.: **29/291,438**  
(22) Filed: **Aug. 29, 2007**

*Primary Examiner*—Terry A Wallace  
(74) *Attorney, Agent, or Firm*—John A. Doninger

(51) **LOC (9) Cl.** ..... **07-04**  
(52) **U.S. Cl.** ..... **D7/672; D7/693**  
(58) **Field of Classification Search** ..... D7/672–675,  
D7/693, 381–385; 30/114–117, 303, 304;  
83/651.1, 662; 99/538, 545; 241/95, 168,  
241/169

(57) **CLAIM**

The ornamental design for a hand operated vegetable dicer, as shown and described.

See application file for complete search history.

**DESCRIPTION**

(56) **References Cited**

FIG. 1 is a top, side and front perspective view of a hand operated vegetable dicer showing my new design;  
FIG. 2 is a front view, the rear view being a mirror image thereof;  
FIG. 3 is a right side view thereof;  
FIG. 4 is a left side view thereof;  
FIG. 5 is a top plan view thereof;  
FIG. 6 is a bottom plan view thereof; and,  
FIG. 7 is a bottom, side and rear perspective view thereof.

**U.S. PATENT DOCUMENTS**

D224,674 S	8/1972	Ashton
D225,286 S	11/1972	Ashton
D242,973 S	1/1977	Daenen
D259,534 S	6/1981	Daenen et al.
D303,476 S	9/1989	Wolff et al.
D307,532 S	5/1990	Cautereels et al.
D389,019 S	1/1998	Molo
D436,504 S	1/2001	Demers

**1 Claim, 5 Drawing Sheets**

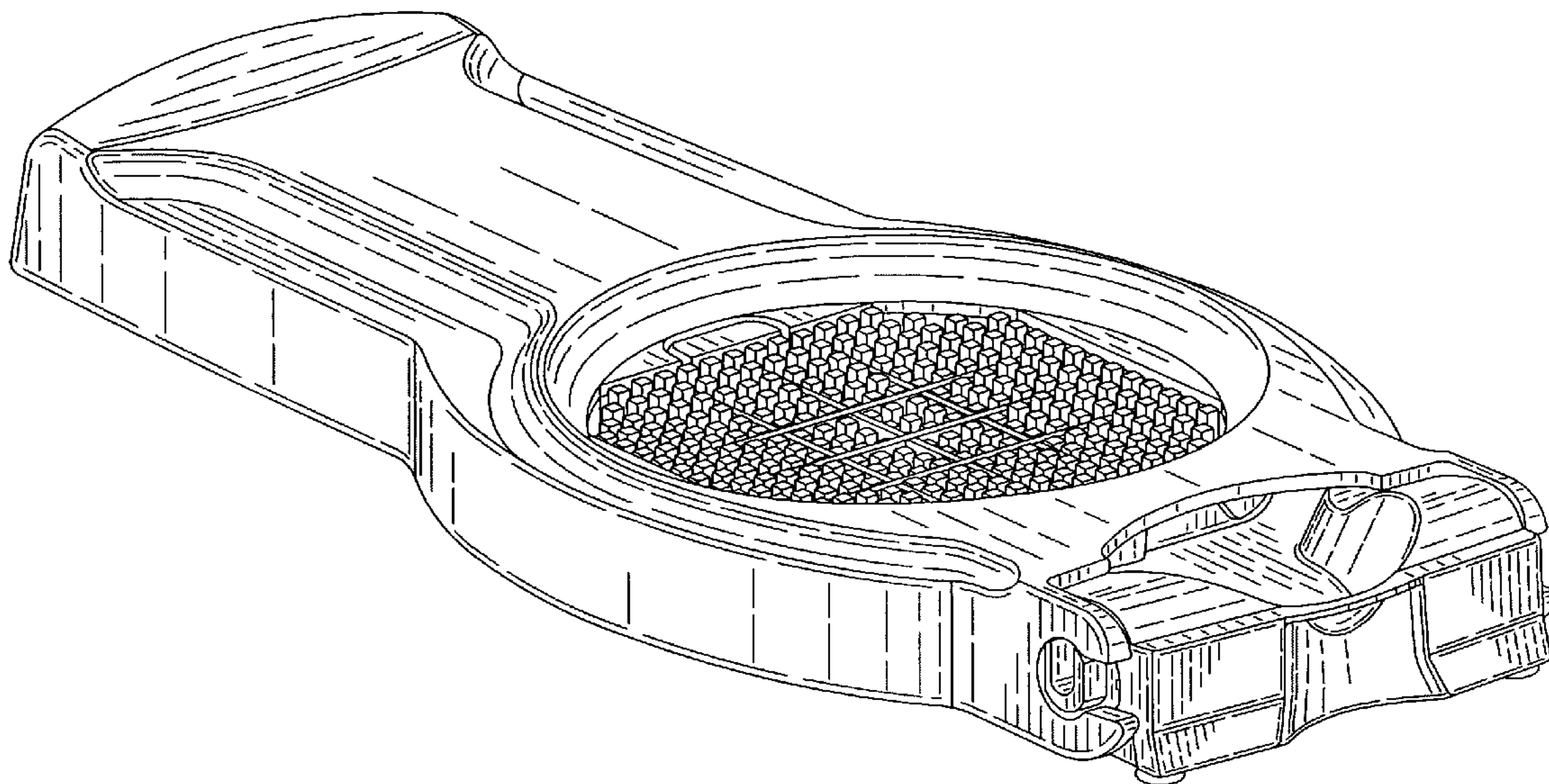


FIG. 1

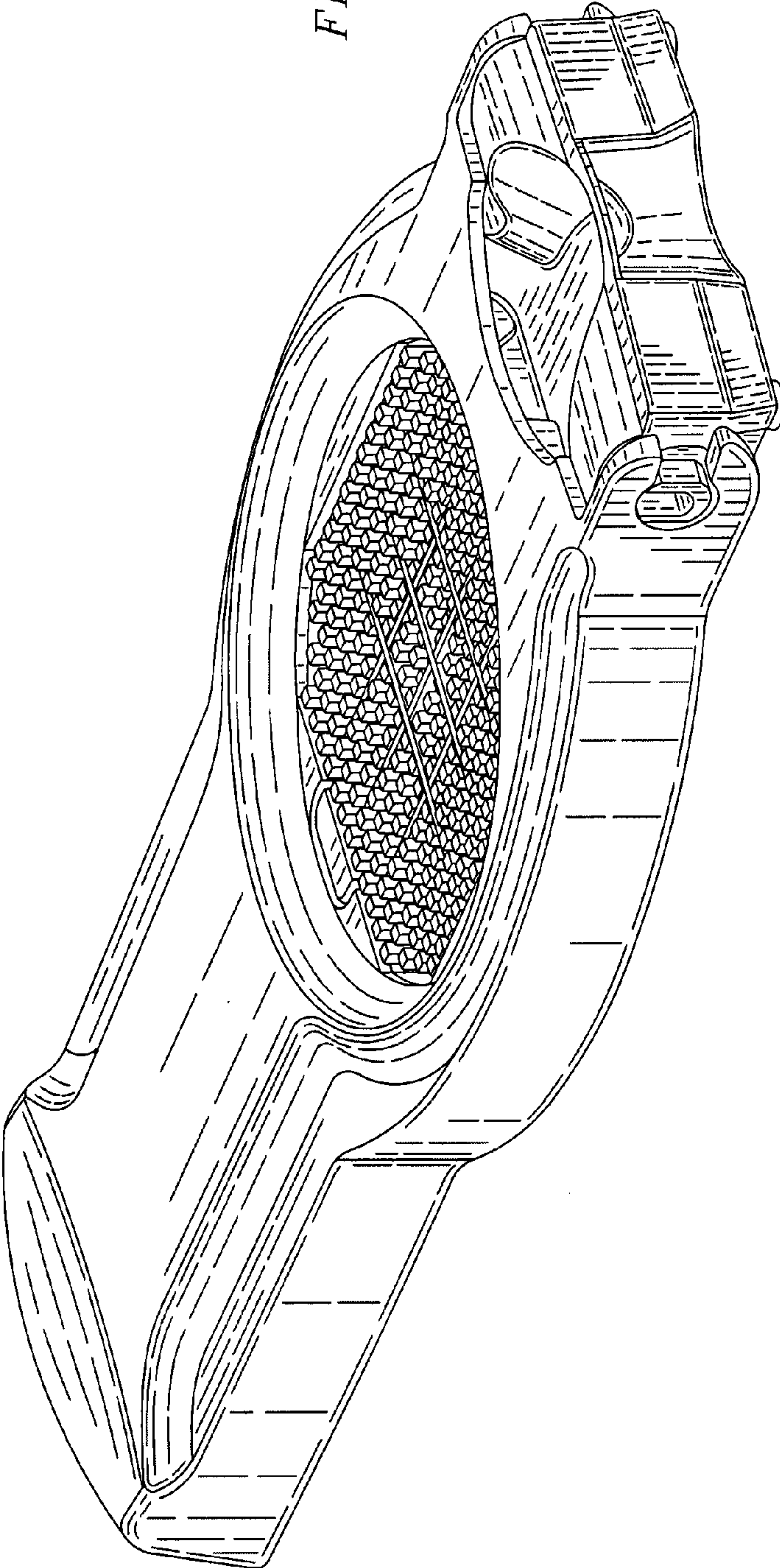
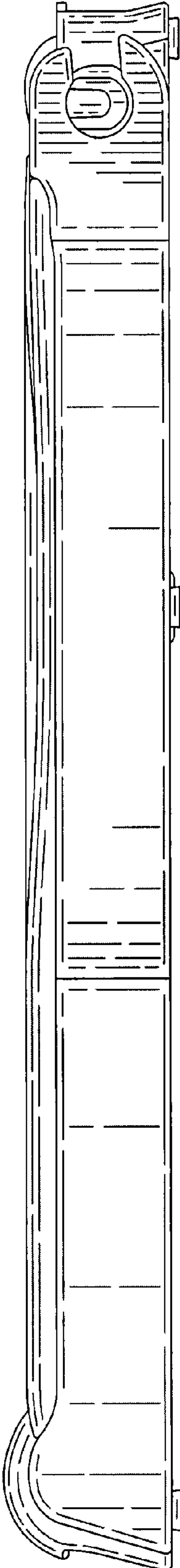
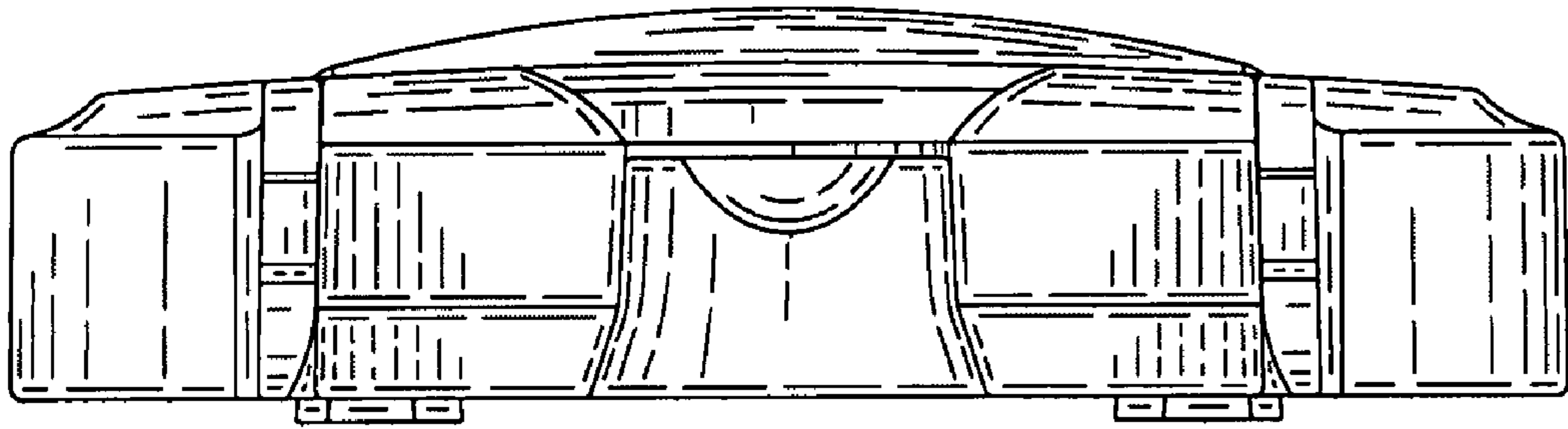
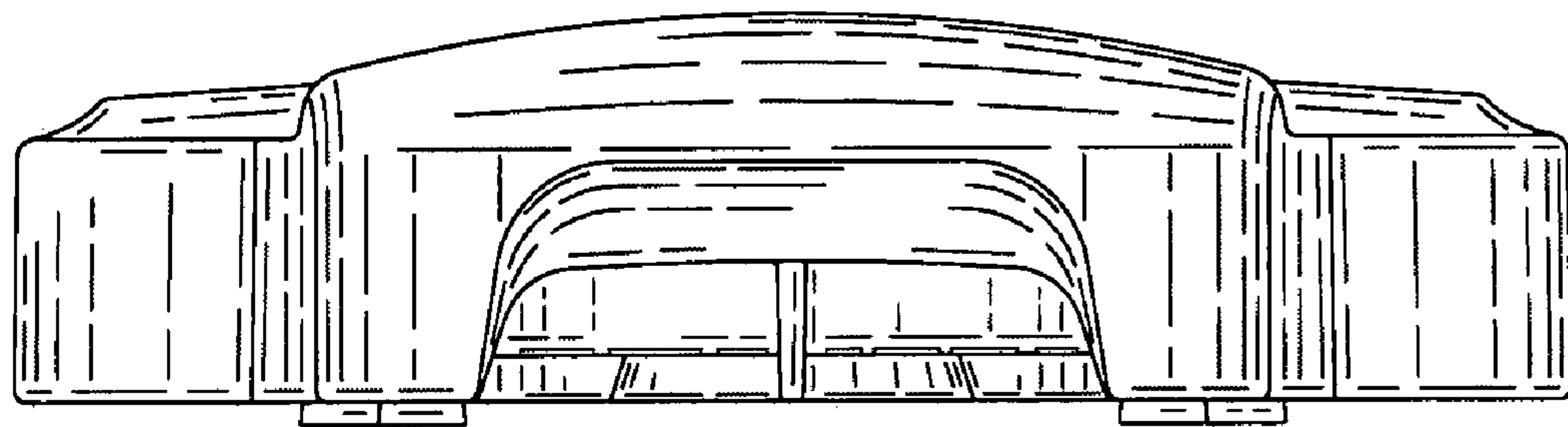


FIG. 2





*FIG. 3*



*FIG. 4*



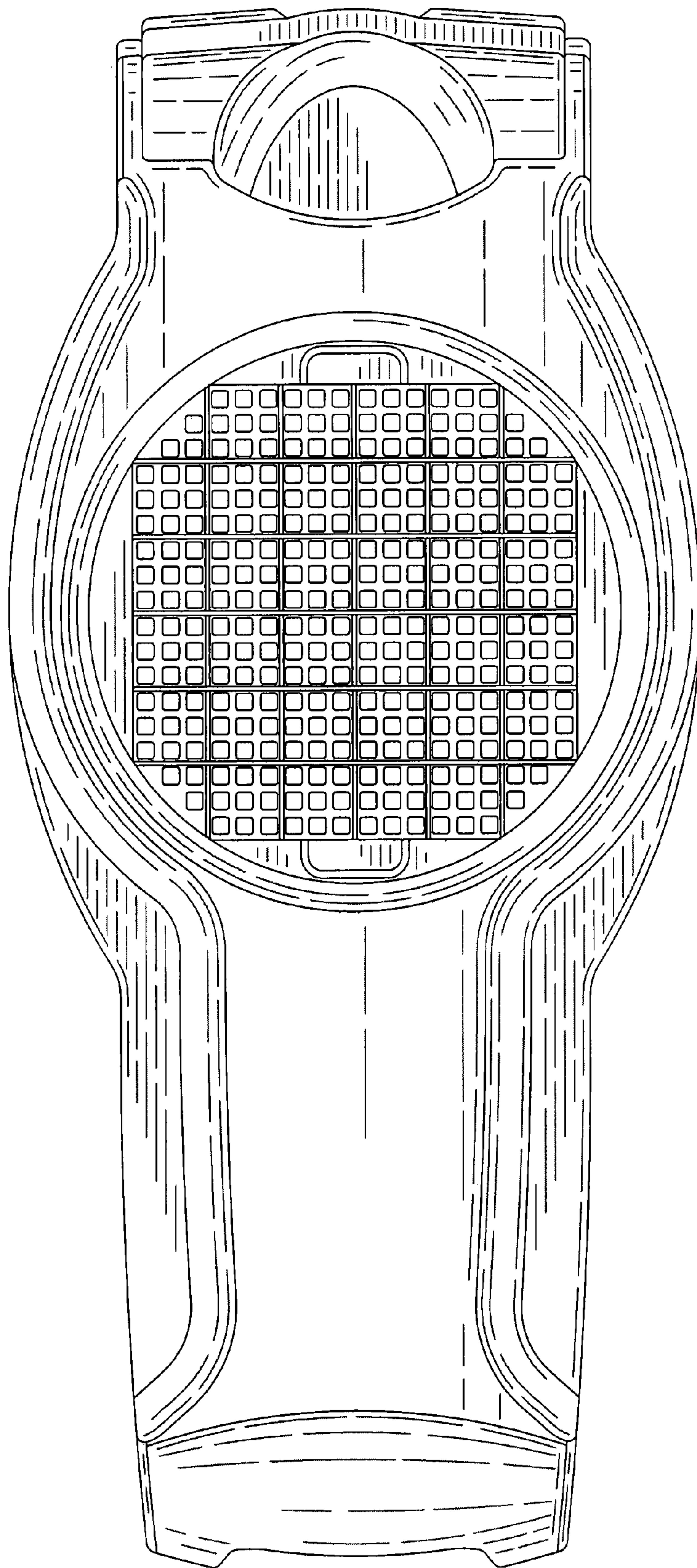


FIG. 5

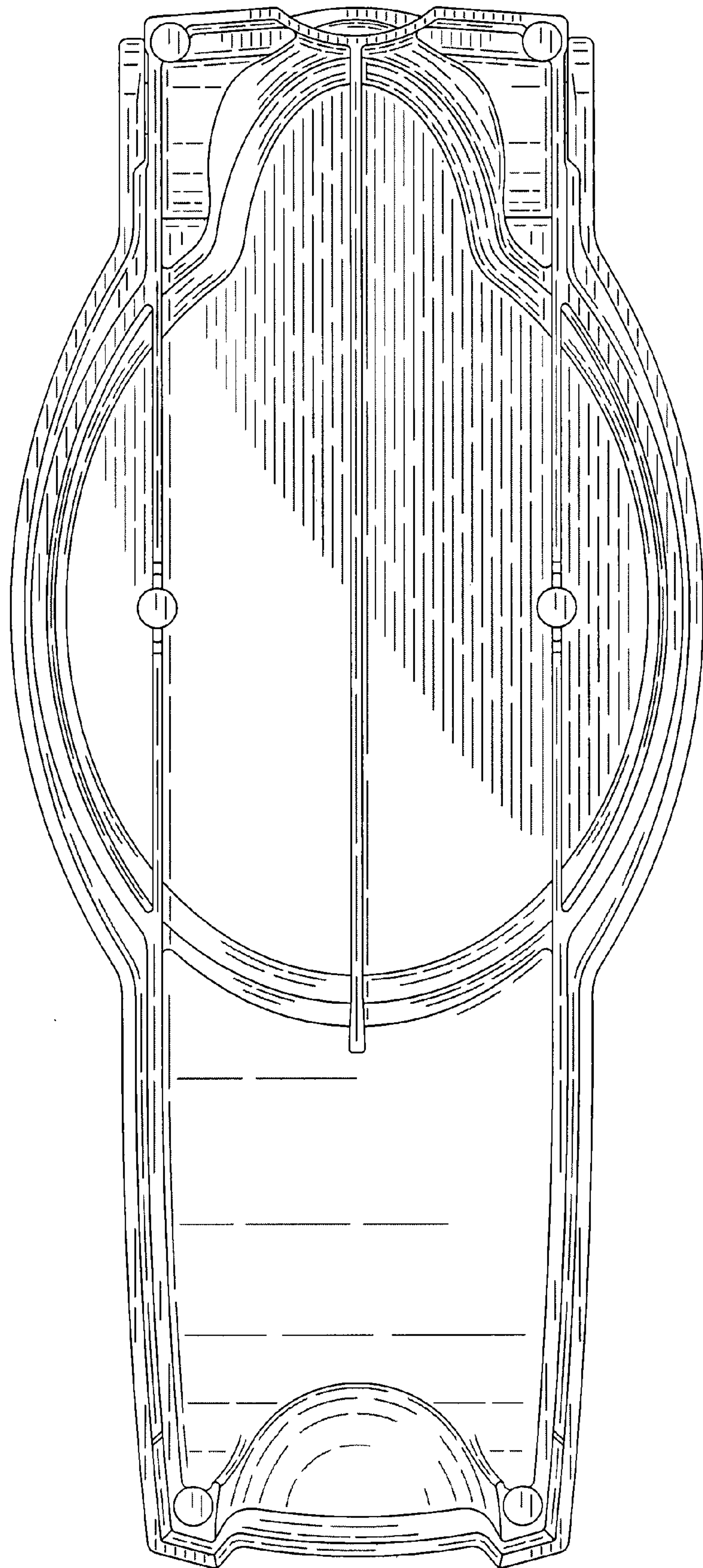


FIG. 6

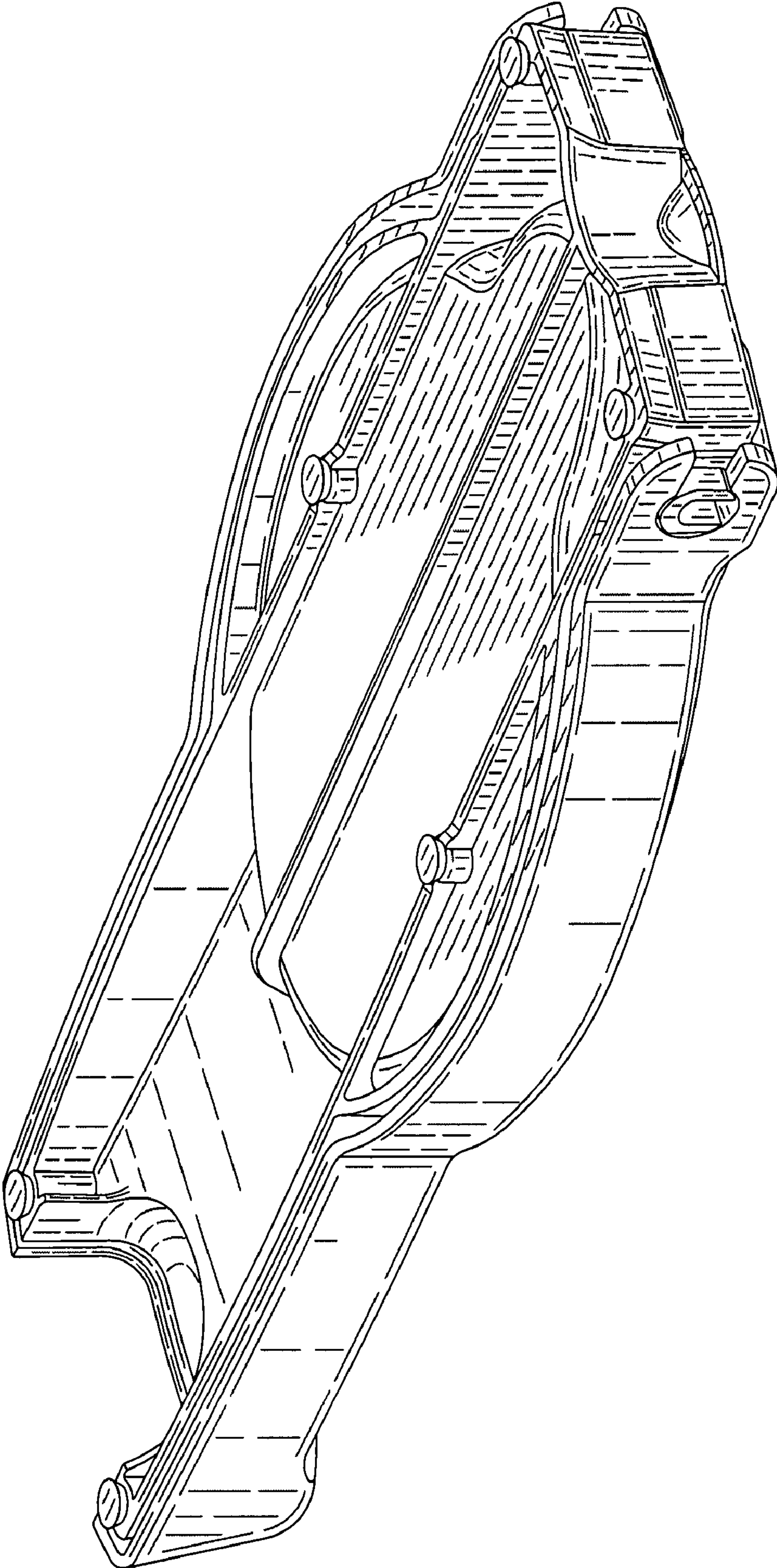


FIG. 7