



US00D589308S

(12) **United States Design Patent**
Claps

(10) **Patent No.:** **US D589,308 S**

(45) **Date of Patent:** **** Mar. 31, 2009**

(54) **FLATWARE HANDLE**

(75) Inventor: **Michael Claps**, Bloomfield, NJ (US)

(73) Assignee: **Cambridge Silversmiths Ltd., Inc.**,
Fairfield, NJ (US)

(**) Term: **14 Years**

(21) Appl. No.: **29/324,716**

(22) Filed: **Sep. 18, 2008**

(51) **LOC (9) Cl.** **07-03**

(52) **U.S. Cl.** **D7/653**

(58) **Field of Classification Search** D7/368,
D7/395, 401.2, 642-646, 649-653, 660-664,
D7/669, 675-676, 683, 688-692, 695-696;
D13/156; 30/137, 141-143, 147-150, 322-327,
30/329, 340, 342-346; 416/70 R

See application file for complete search history.

(56) **References Cited**

U.S. PATENT DOCUMENTS

- D50,870 S * 6/1917 Curtiss D7/653
- D278,302 S * 4/1985 Laslo D7/649
- D294,486 S * 3/1988 Opitz D13/156
- D299,807 S * 2/1989 Sawa D7/649
- D388,284 S * 12/1997 Sitoleux D7/645
- D399,699 S * 10/1998 Stokes D7/401.2

D534,399 S * 1/2007 Thompson D7/653

* cited by examiner

Primary Examiner—Joel Sincavage

Assistant Examiner—Ricky Pham

(74) *Attorney, Agent, or Firm*—Schweitzer Cornman Gross &
Bondell LLP

(57) **CLAIM**

The ornamental design for a flatware handle, as shown and described.

DESCRIPTION

FIG. 1 is a perspective view of flatware handle showing my new design as applied to a first item of flatware;

FIG. 2 is an elevational view thereof;

FIG. 3 is an enlarged perspective view of an illustrative portion of the design;

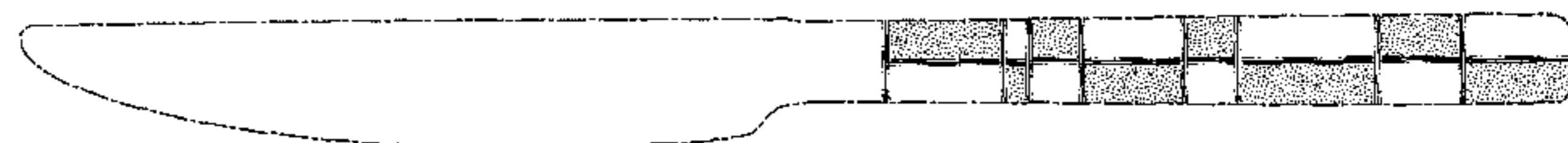
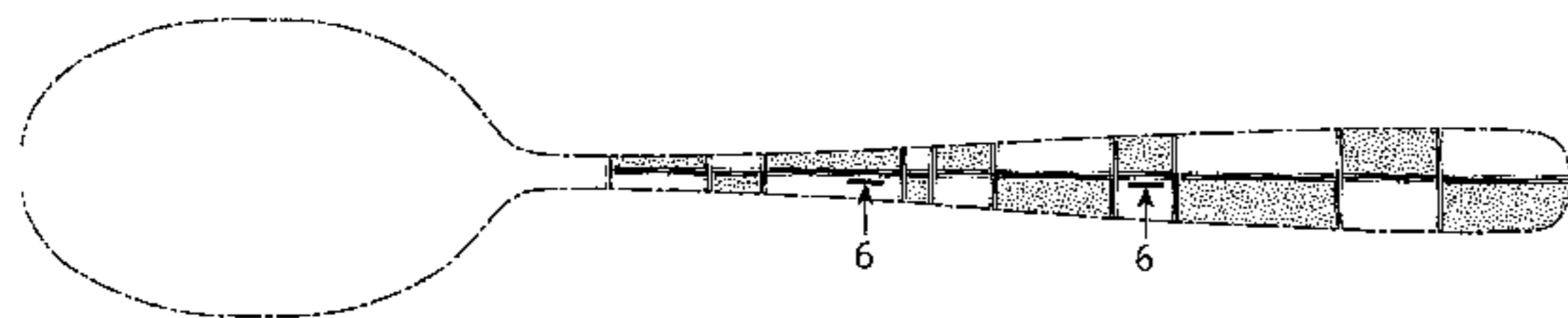
FIG. 4 is a perspective view of the design as applied to a second item of flatware; and

FIG. 5 is an elevational view thereof; and,

FIG. 6 is a partial cross-sectional view taken along line 6—6 in FIG. 2, further depicting the design.

The broken lines shown in the drawings are for illustration purposes only and form no part of the claimed design.

1 Claim, 4 Drawing Sheets



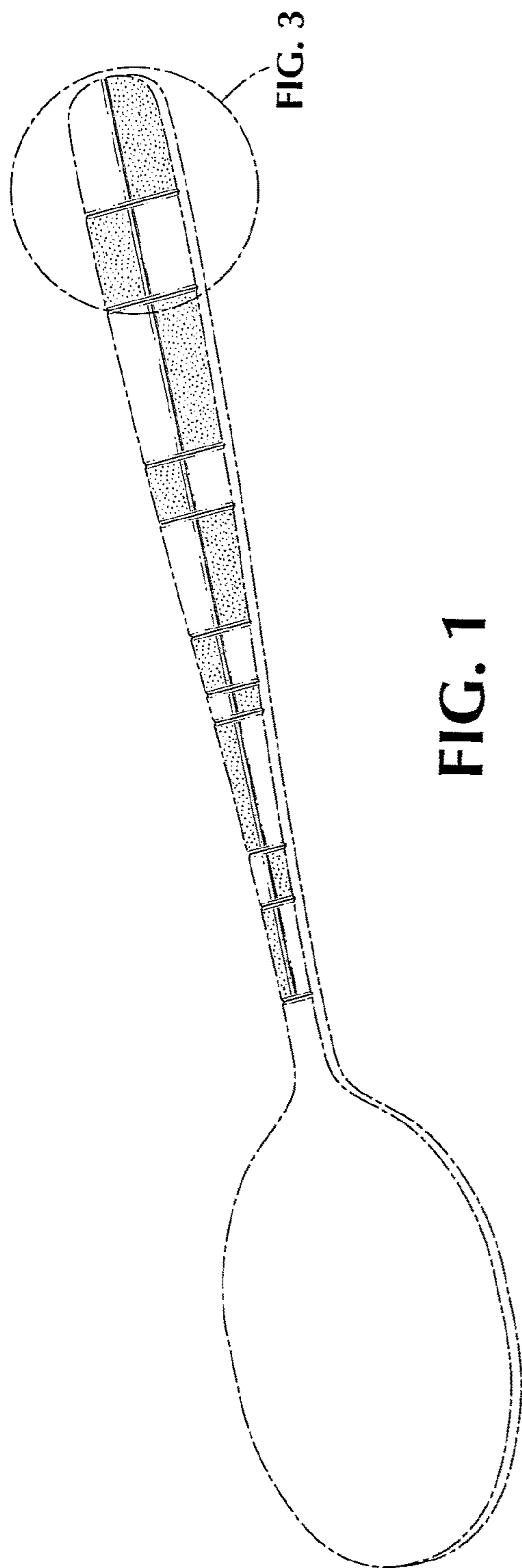


FIG. 1

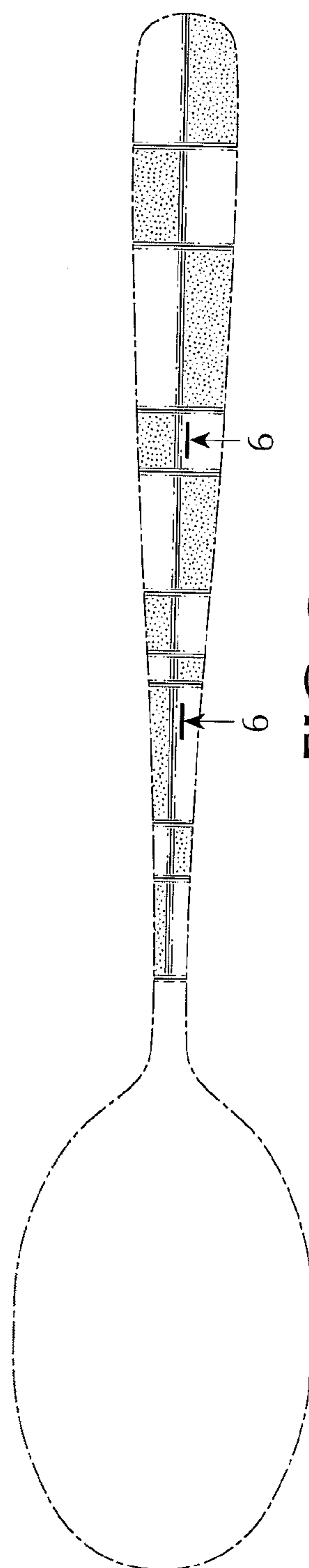
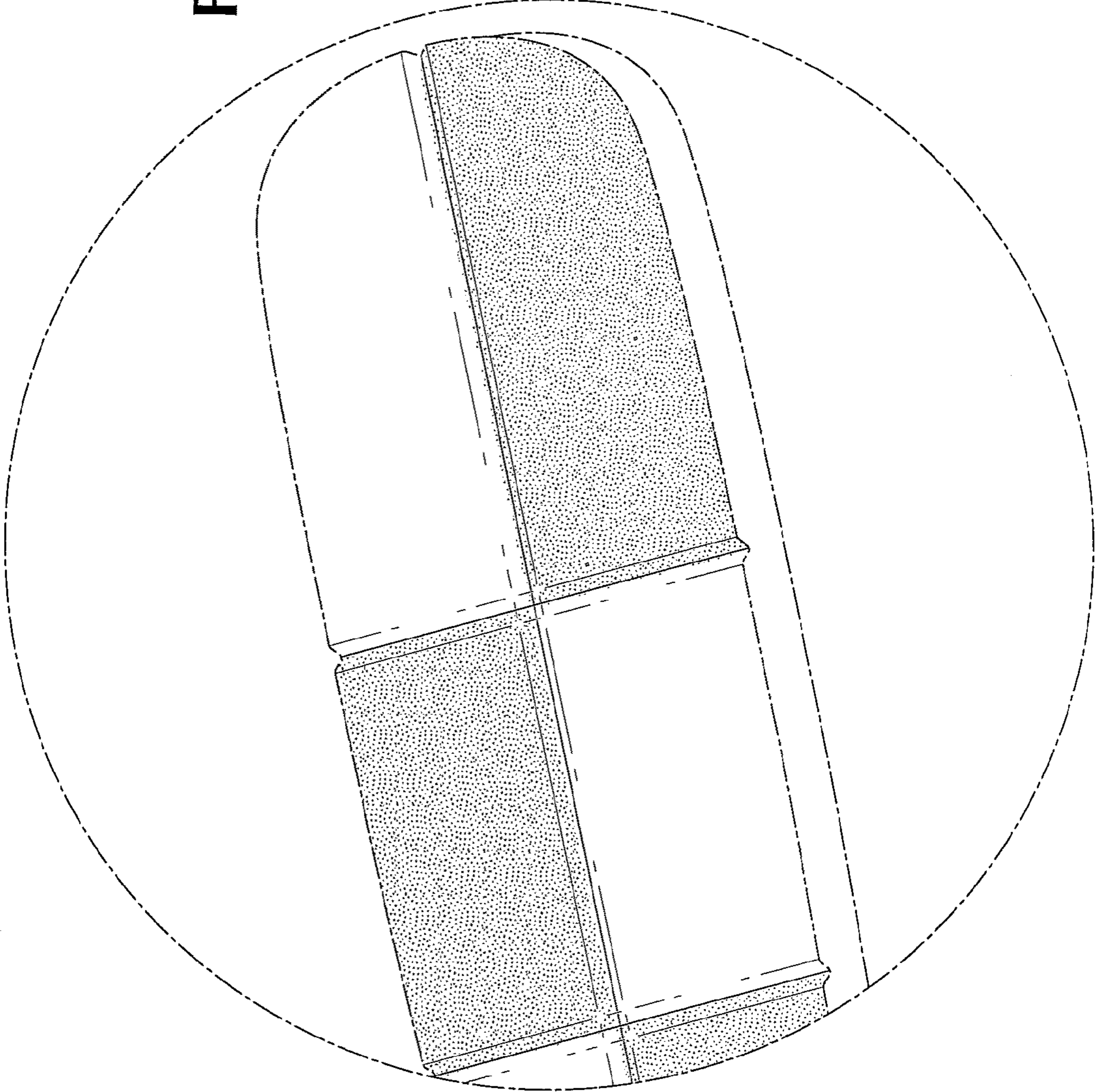


FIG. 2

FIG. 3



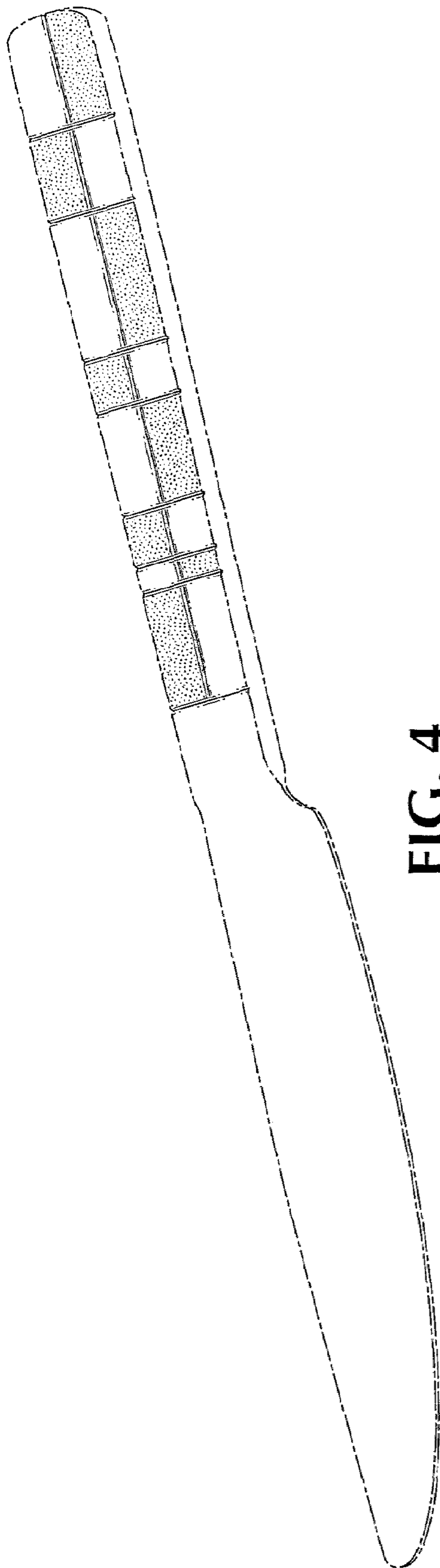


FIG. 4



FIG. 5

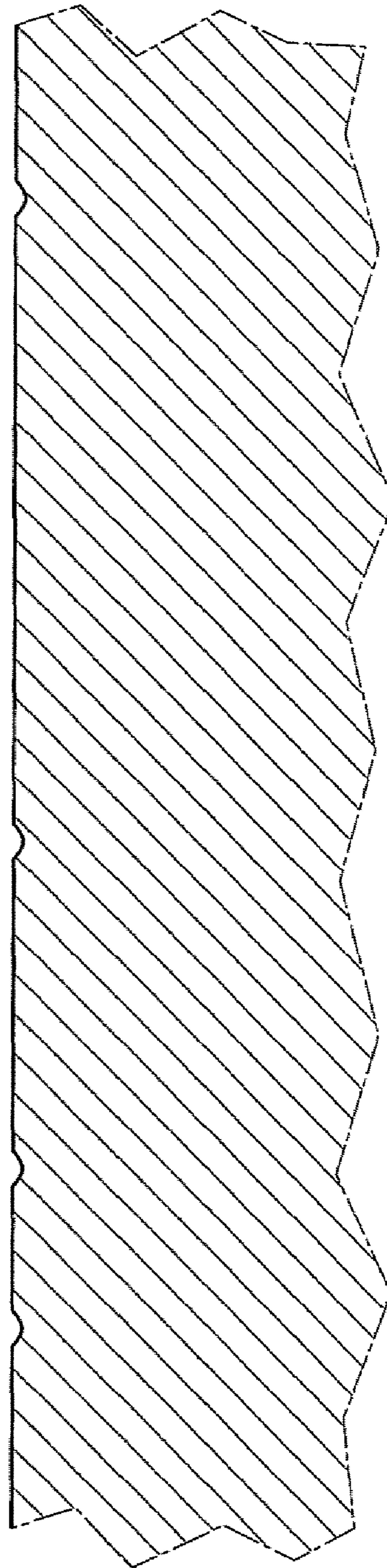


FIG. 6