



US00D589307S

(12) **United States Design Patent**
Mercado

(10) **Patent No.:** **US D589,307 S**
(45) **Date of Patent:** **** Mar. 31, 2009**

(54) **HINGED CUTTING AND SERVING KNIFE**

(76) **Inventor:** **Geraldo M. Mercado**, 1776 Castle Hill Ave., Apt. 1E, Bronx, NY (US) 10462

(**) **Term:** **14 Years**

(21) **Appl. No.:** **29/310,519**

(22) **Filed:** **Aug. 22, 2008**

(51) **LOC (9) Cl.** **07-03**

(52) **U.S. Cl.** **D7/649**

(58) **Field of Classification Search** D7/393,
D7/395, 401.2, 642-653, 662-664, 688, 695-696;
D8/99; D22/118; 30/114, 123.5-123.7,
30/124-125, 142-143, 147-149, 304, 316,
30/340-346, 353, 355, 394

See application file for complete search history.

(56) **References Cited**

U.S. PATENT DOCUMENTS

2,264,486	A *	12/1941	Smith et al.	30/114
2,555,690	A	6/1951	Guerra		
2,600,646	A	6/1952	Haugland		
2,770,035	A *	11/1956	O'Brien	30/114
2,841,868	A *	7/1958	O'Brien	30/114
3,888,001	A	6/1975	Gilbart-Smith		
4,592,139	A	6/1986	Huang		
4,637,138	A	1/1987	Piché		

D413,050	S *	8/1999	Meyer	D7/673
D427,024	S *	6/2000	Meyer	D7/673
D446,427	S	8/2001	Meyer		
6,381,851	B1 *	5/2002	Meyer	30/114
6,516,519	B2	2/2003	Meyer		
D547,133	S	7/2007	Wu		
D573,864	S *	7/2008	Glesser	D8/99

* cited by examiner

Primary Examiner—Joel Sincavage

Assistant Examiner—Ricky Pham

(74) *Attorney, Agent, or Firm*—Robert C. Montgomery

(57) **CLAIM**

The ornamental design for a hinged cutting and serving knife, as shown.

DESCRIPTION

FIG. 1 is a perspective view of a hinged cutting and serving knife, as shown and described;

FIG. 2 is a front view thereof;

FIG. 3 is a rear view thereof;

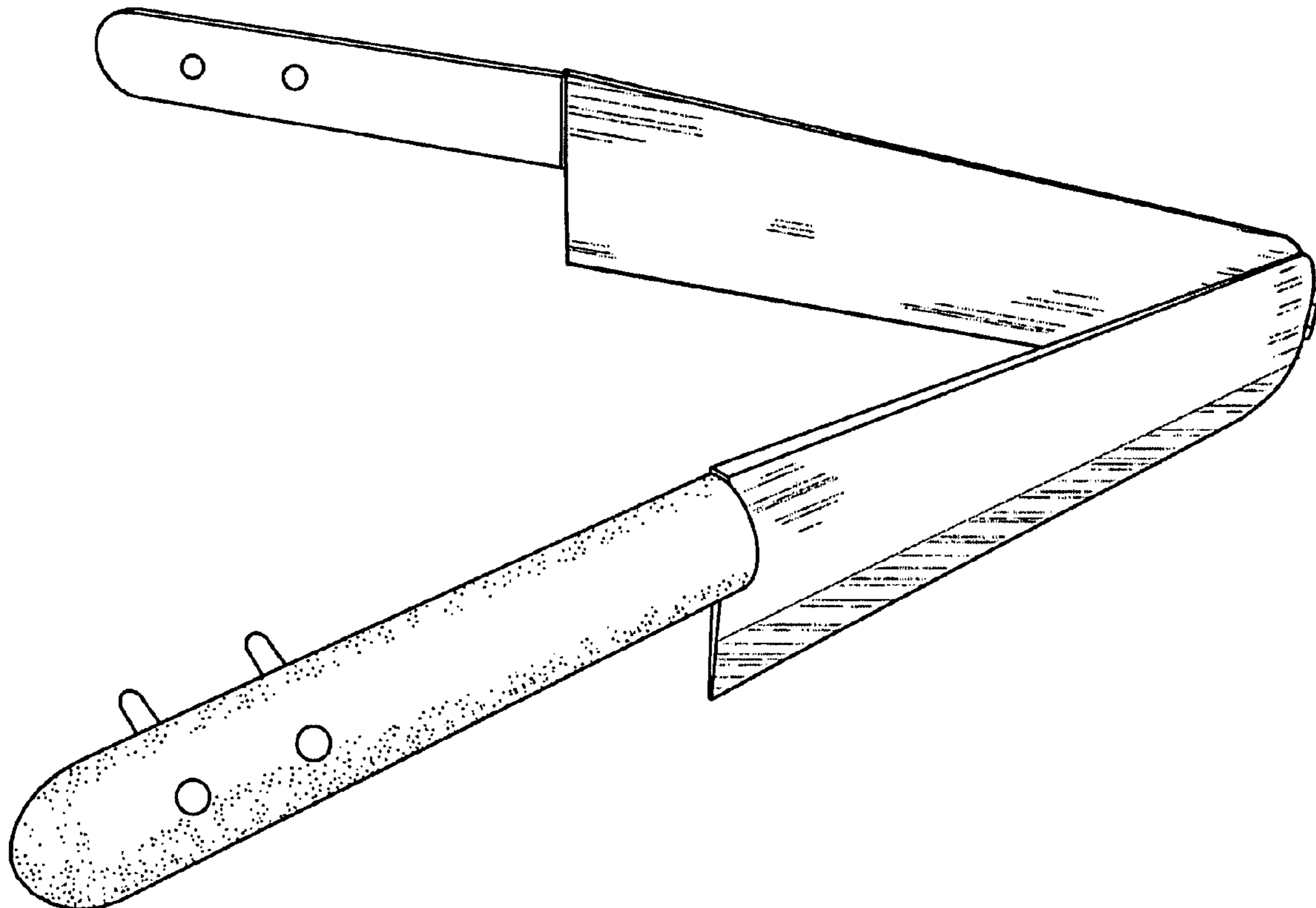
FIG. 4 is a left side view thereof;

FIG. 5 is a right side view thereof;

FIG. 6 is a top view thereof; and,

FIG. 7 is a bottom view thereof.

1 Claim, 7 Drawing Sheets



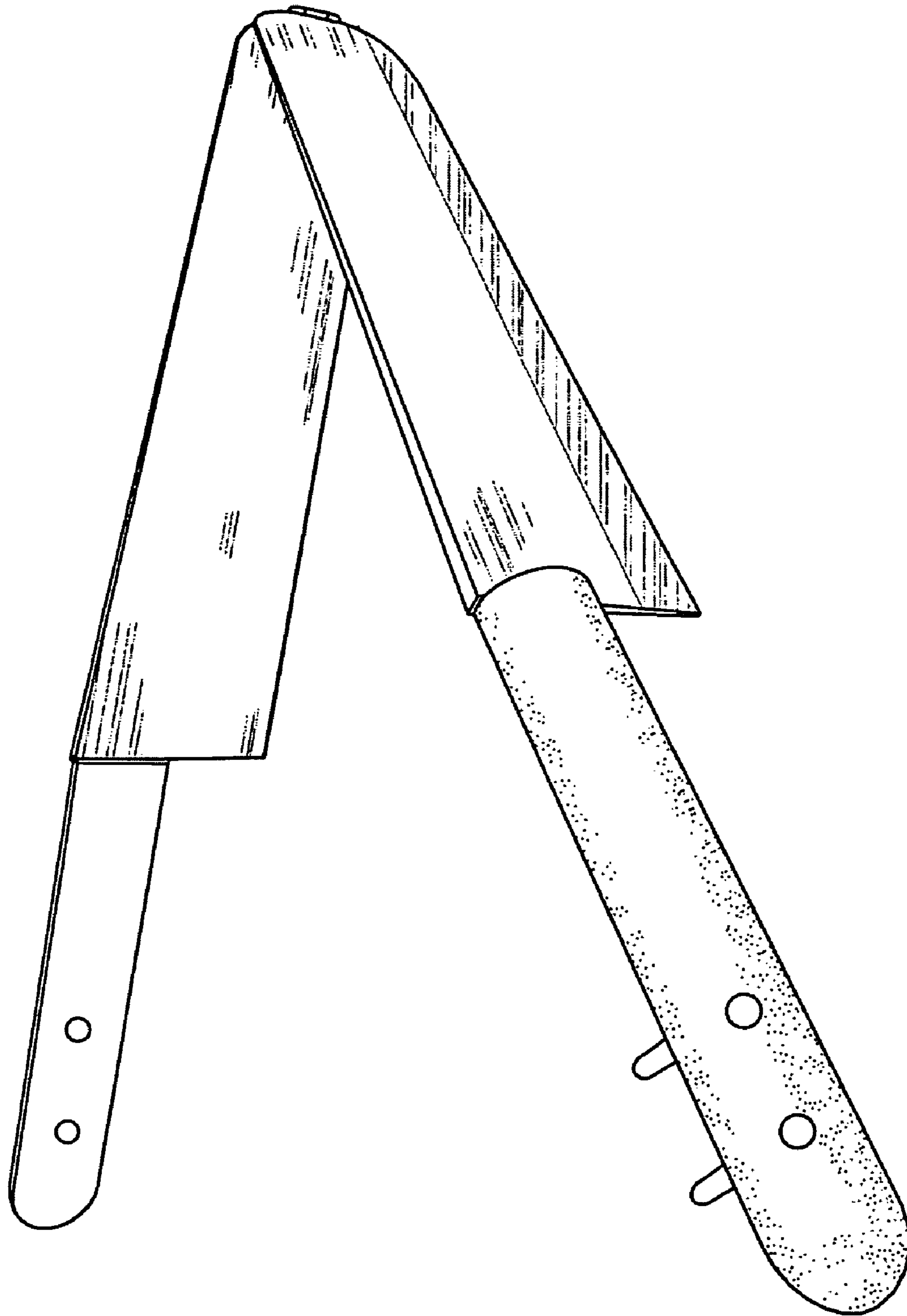


Fig. 1

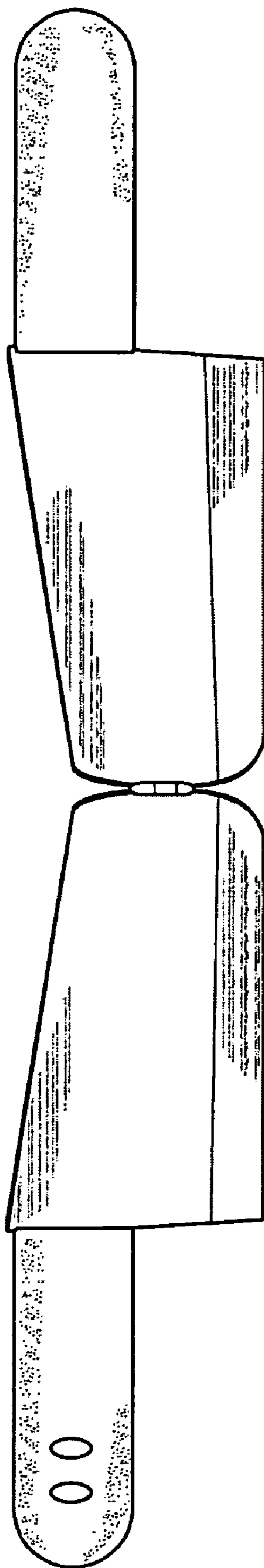


Fig. 2

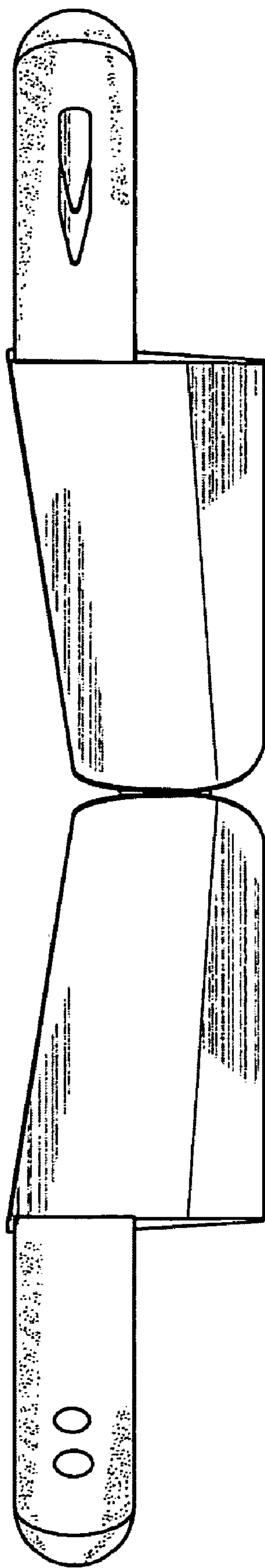


Fig. 3

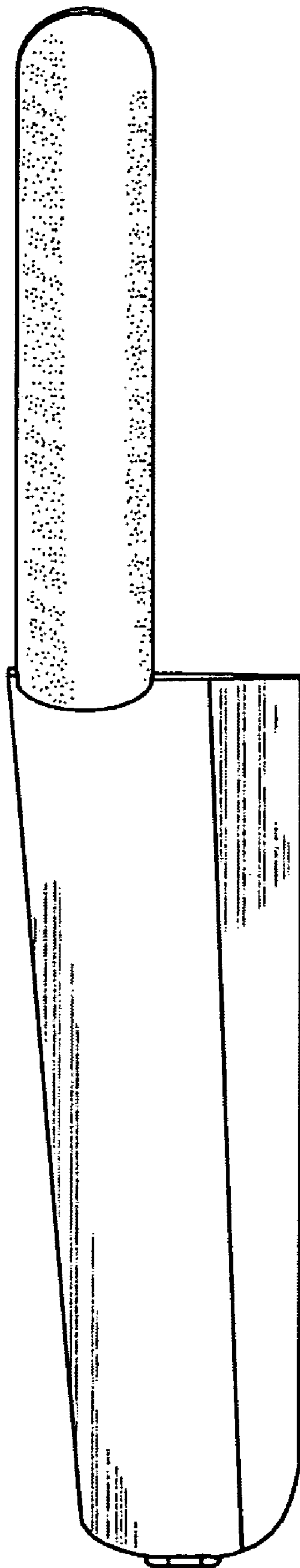


Fig. 4

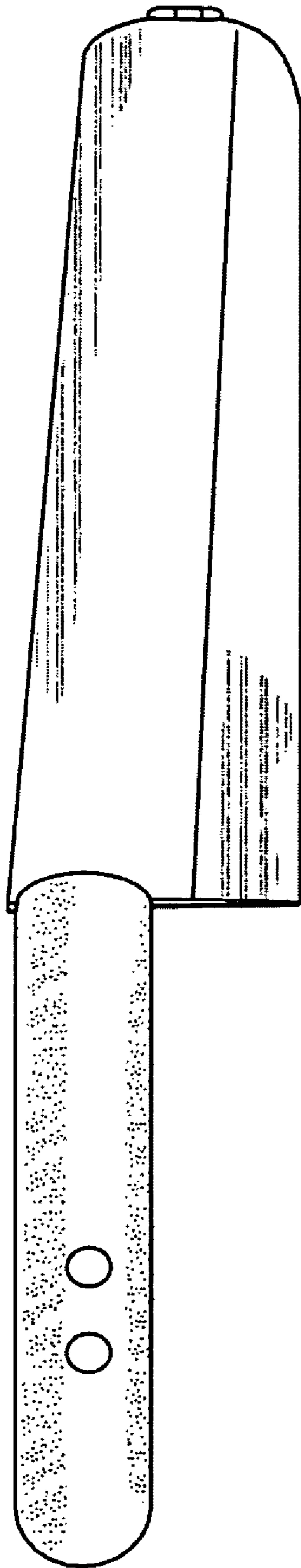


Fig. 5

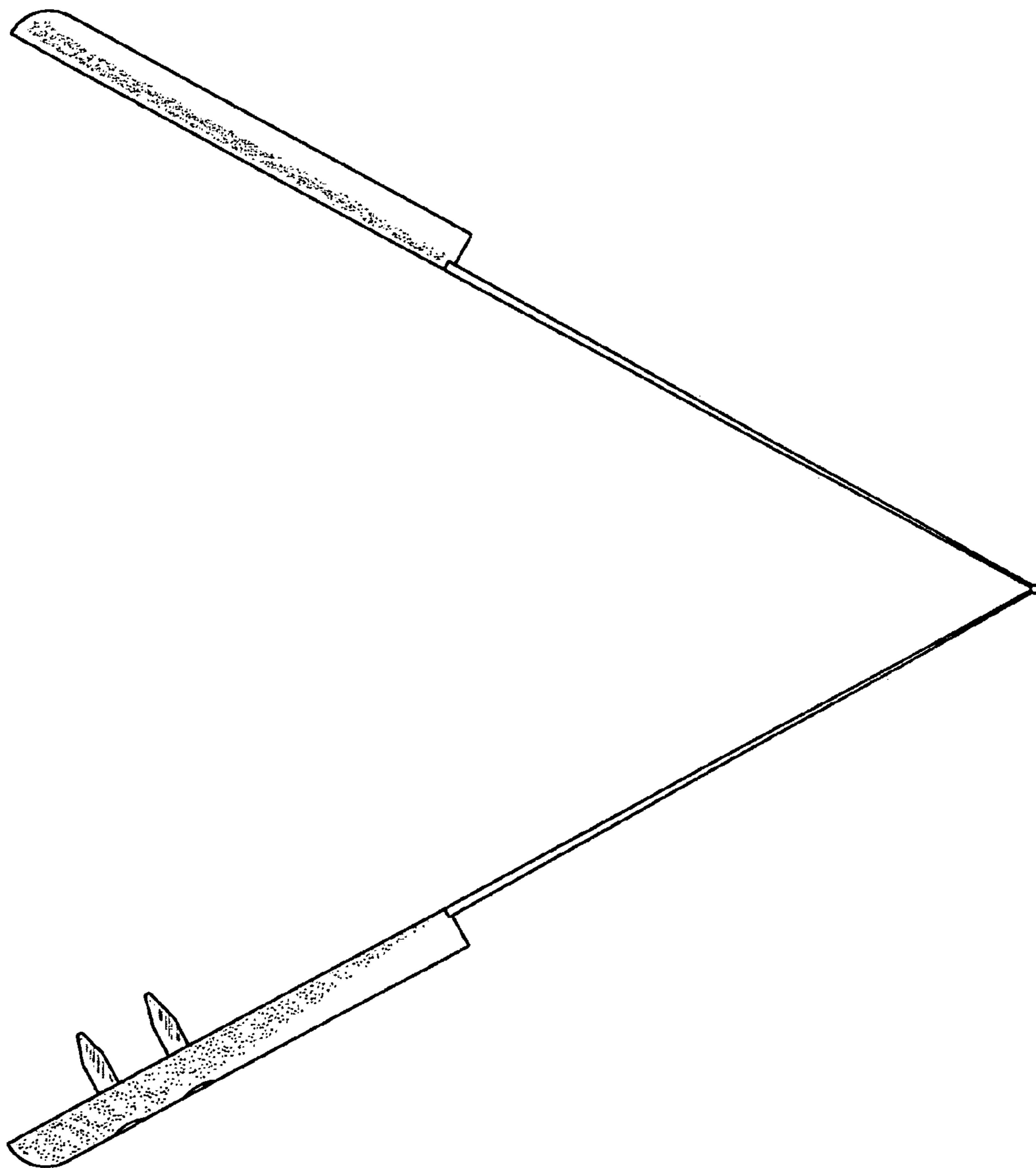


Fig. 6

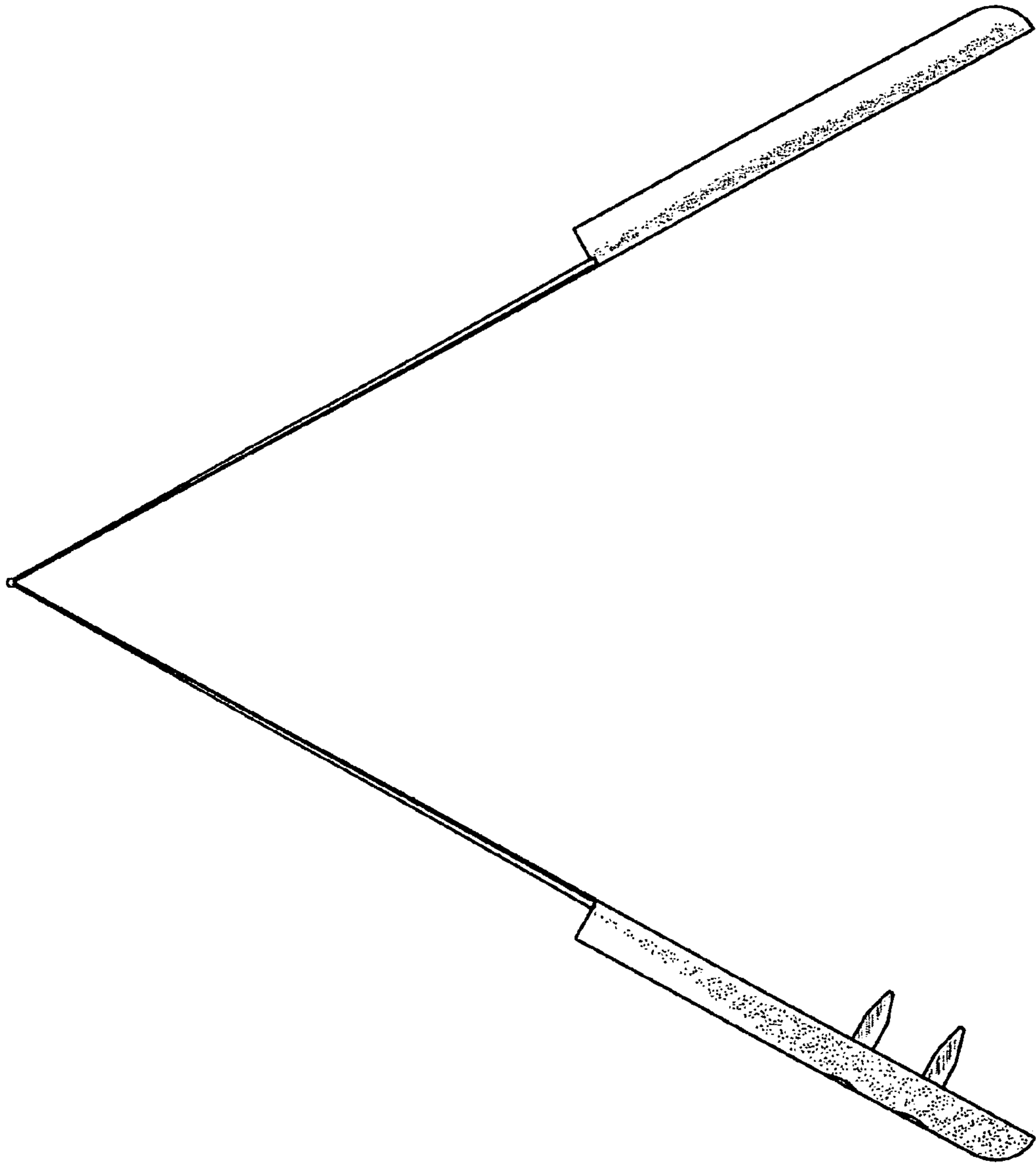


Fig. 7