



US00D589304S

(12) **United States Design Patent**  
**Goodman et al.**

(10) **Patent No.:** **US D589,304 S**  
(45) **Date of Patent:** **\*\* Mar. 31, 2009**

(54) **FRUIT BOWL**

(75) Inventors: **Sheldon H. Goodman**, Solon, OH (US);  
**Omer I. Sazir**, Cleveland, OH (US)

(73) Assignee: **Spectrum Diversified Designs, Inc.**,  
Streetsboro, OH (US)

(\*\*) Term: **14 Years**

(21) Appl. No.: **29/306,388**

(22) Filed: **Apr. 9, 2008**

(51) **LOC (9) Cl.** ..... **07-01**

(52) **U.S. Cl.** ..... **D7/601**

(58) **Field of Classification Search** ..... D7/601,  
D7/602, 629, 704, 584-587, 409; D3/304,  
D3/306; D6/552, 566; D11/143; 220/574-575,  
220/766-769, 494, 485, 488; 211/181.1,  
211/13.1, 41.3, 41.4, 86.01, 88.01  
See application file for complete search history.

(56) **References Cited**

**U.S. PATENT DOCUMENTS**

D274,880 S \* 7/1984 Bentson ..... D7/409

4,924,768 A \* 5/1990 Jay ..... 211/181.1  
D357,356 S \* 4/1995 Muresan ..... D3/306  
5,833,080 A \* 11/1998 Donne ..... 211/181.1  
D405,652 S \* 2/1999 Tsoi ..... D7/624.1  
D436,628 S \* 1/2001 Goodman et al. .... D7/601  
D473,378 S \* 4/2003 Bellersheim ..... D3/306  
7,340,859 B2 \* 3/2008 Palsrok ..... 211/181.1

\* cited by examiner

*Primary Examiner*—Terry A Wallace

(74) *Attorney, Agent, or Firm*—Pearne & Gordon LLP

(57) **CLAIM**

The ornamental design for a fruit bowl, as shown and described.

**DESCRIPTION**

FIG. 1 is a perspective view of a fruit bowl, showing our new design;

FIG. 2 is a front elevational view thereof;

FIG. 3 is a side elevational view thereof;

FIG. 4 is a top plan view thereof; and,

FIG. 5 is a bottom plan view thereof.

**1 Claim, 2 Drawing Sheets**

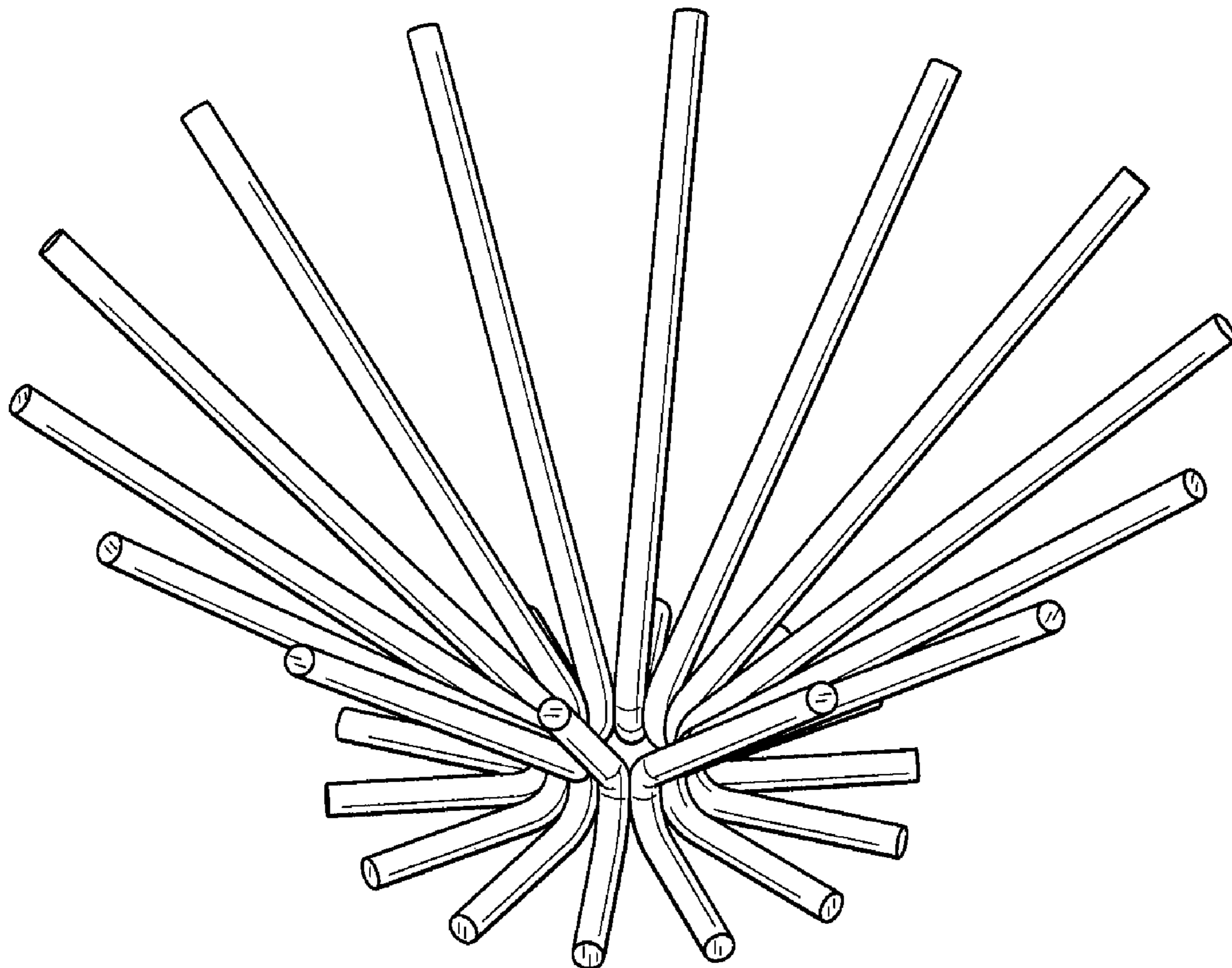


FIG. 1

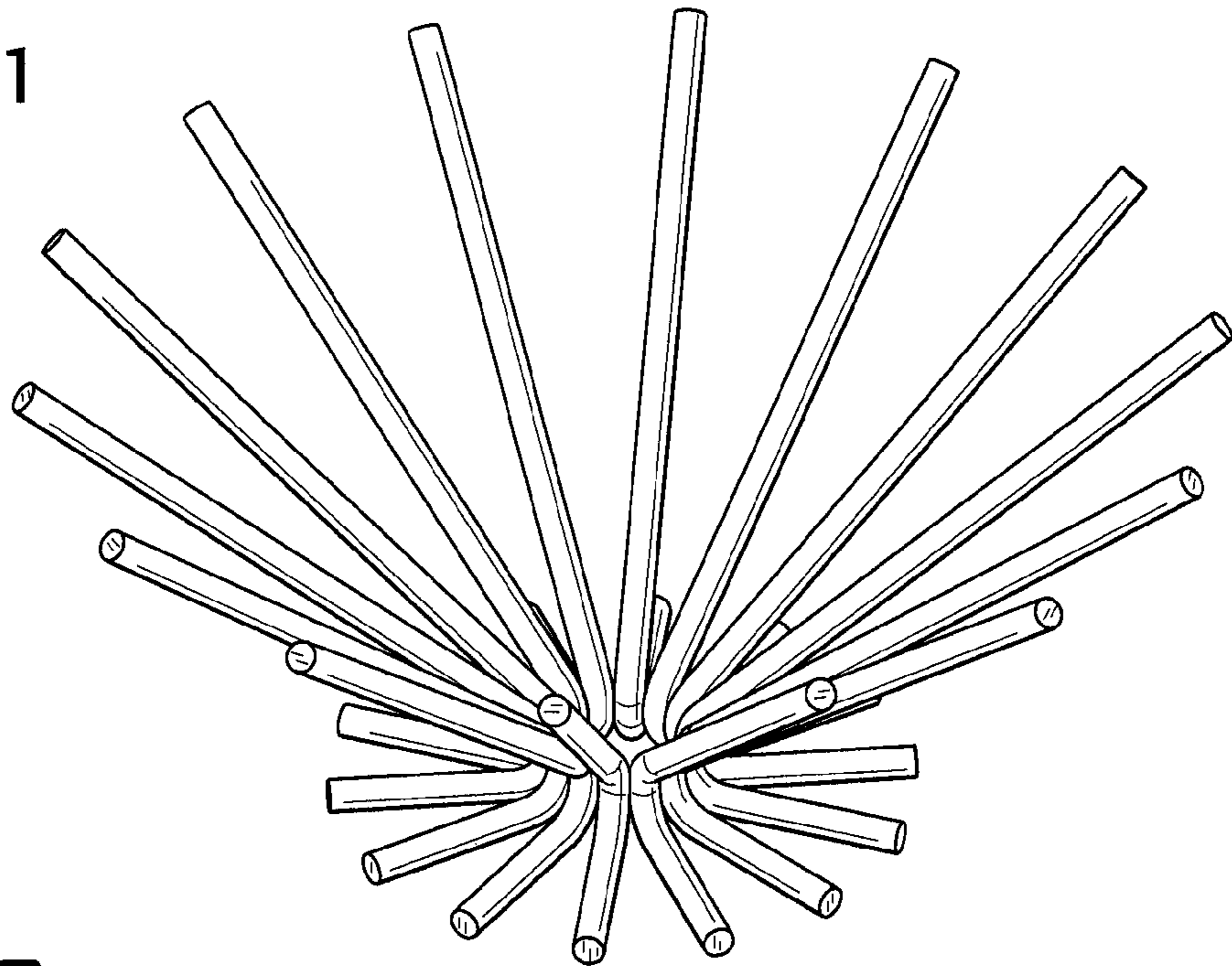


FIG. 2

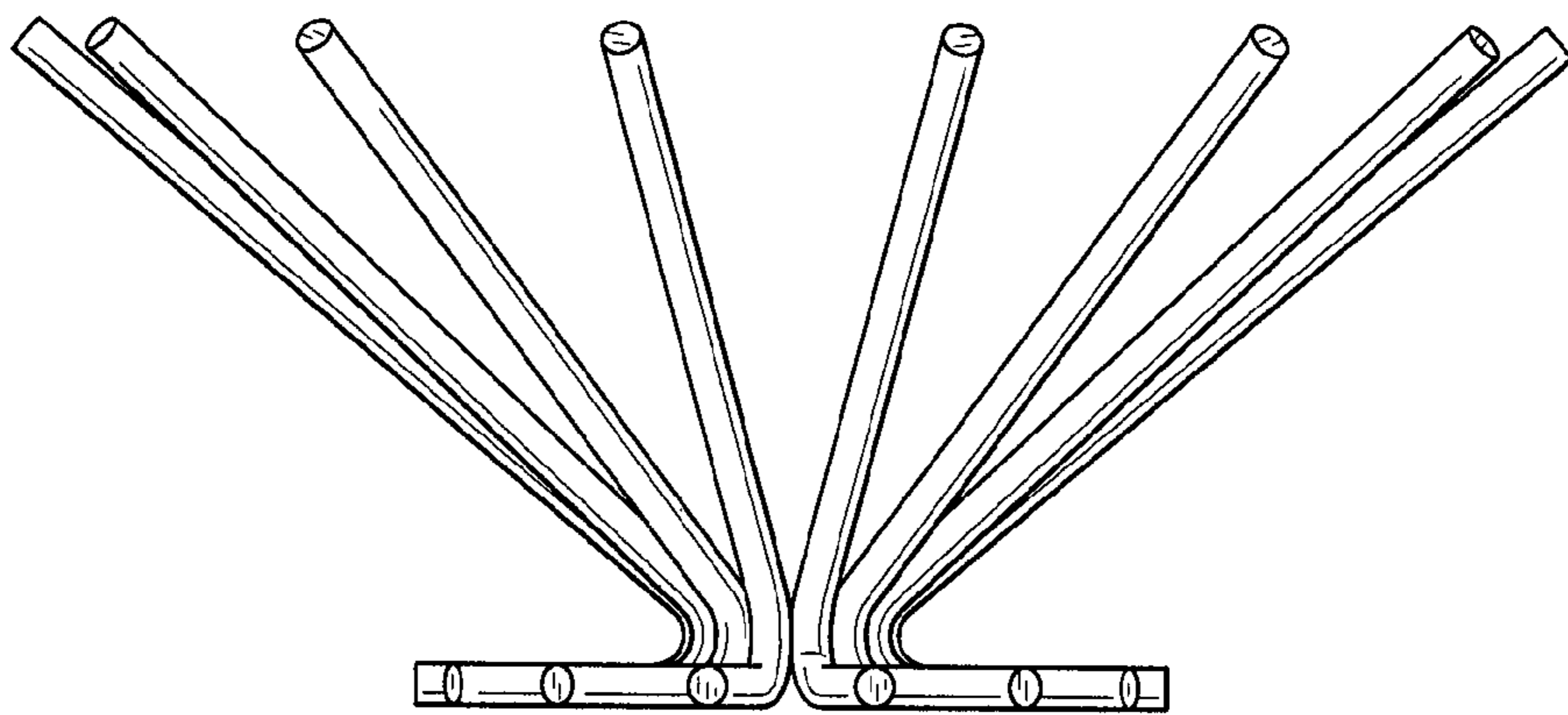


FIG. 3

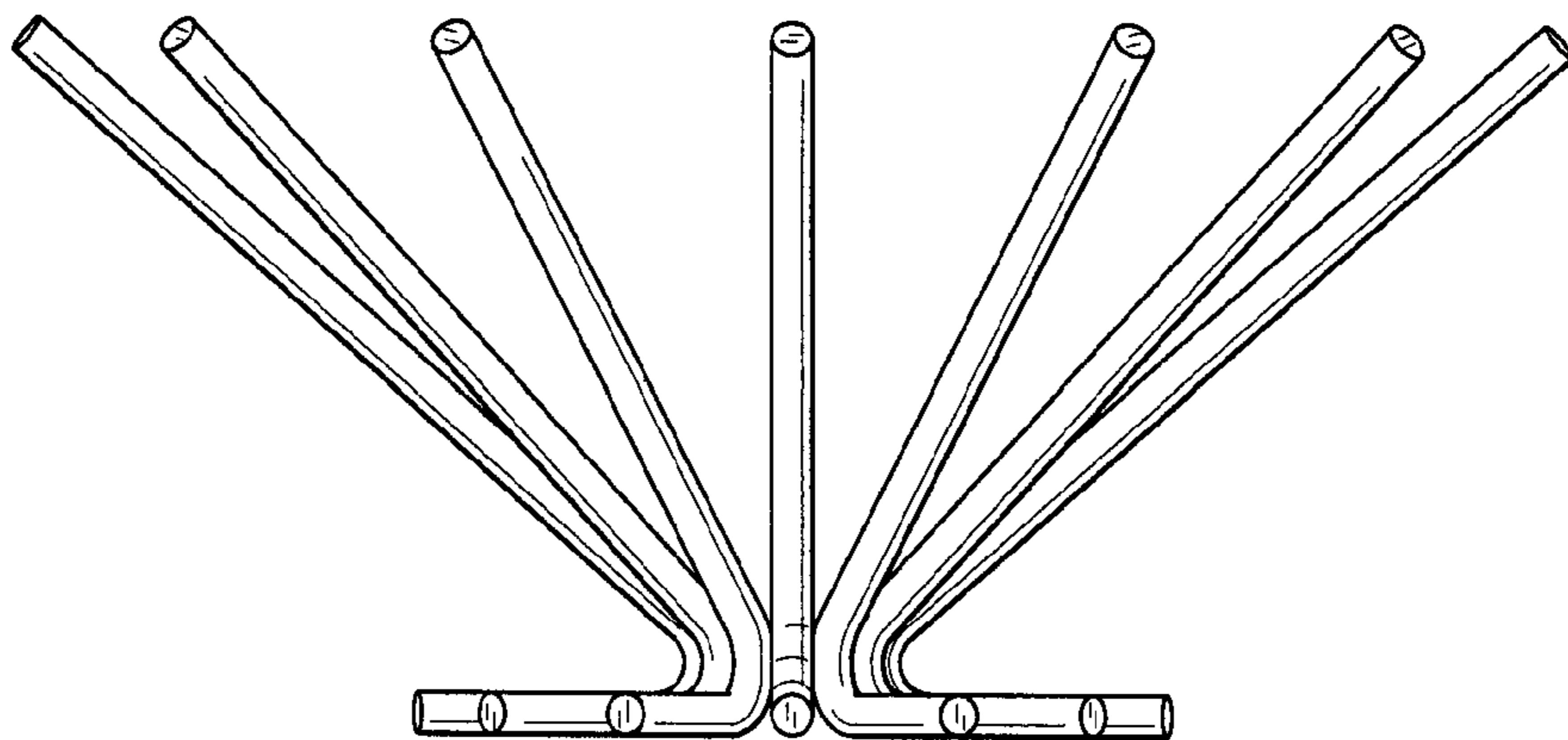


FIG. 4

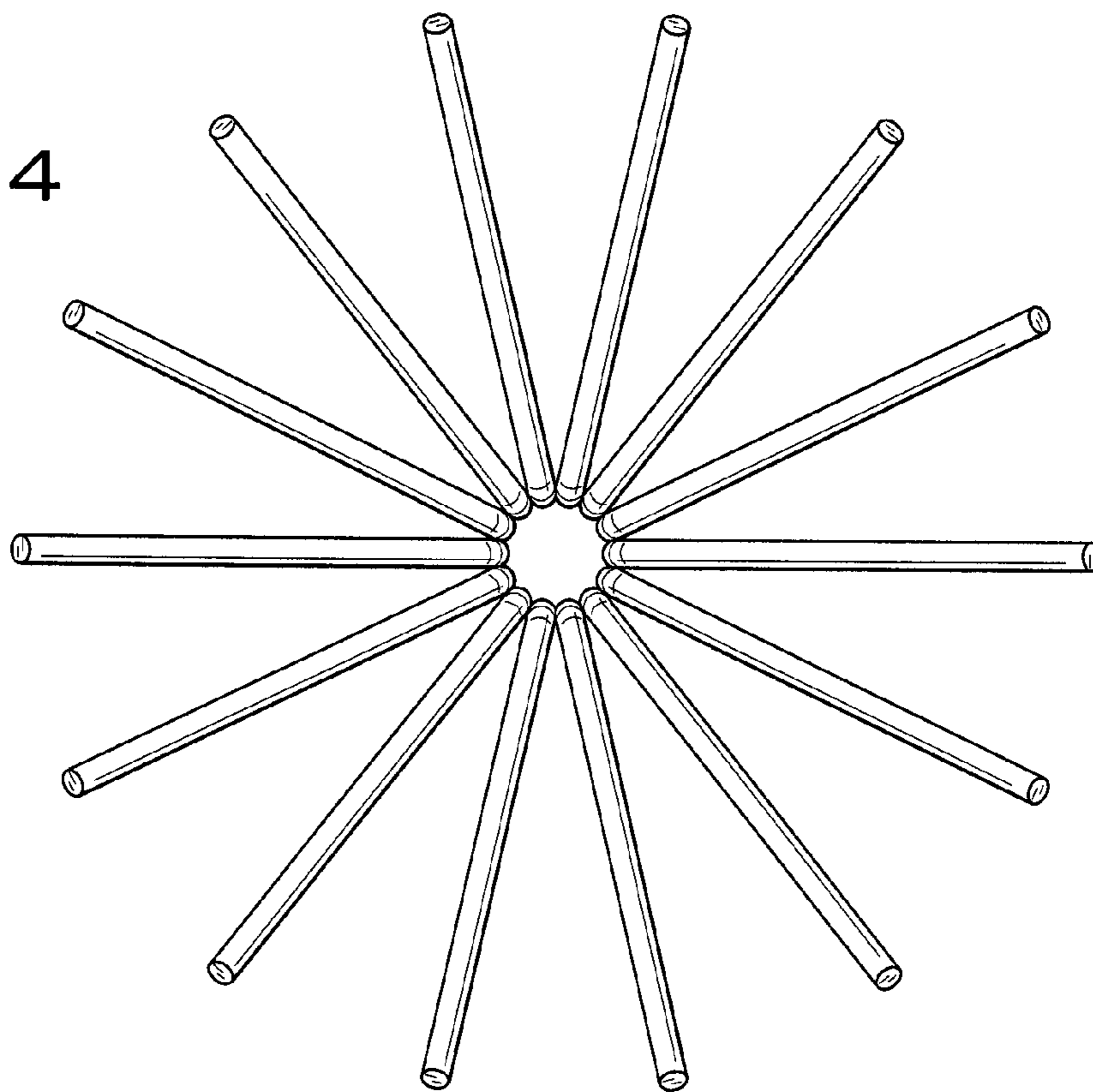


FIG. 5

