



US00D589291S

(12) **United States Design Patent**
Jerstroem et al.

(10) **Patent No.:** **US D589,291 S**
(45) **Date of Patent:** **** Mar. 31, 2009**

(54) **DISPENSER FOR BEVERAGES**

(75) Inventors: **Goeran Jerstroem**, Glen Ridge, NJ (US); **Sing Pong Chui**, Brooklyn, NY (US); **Paul Katz**, New York, NY (US); **Anthony Di Bitonto**, Brooklyn, NY (US)

(73) Assignee: **SEB S.A.**, Ecully (FR)

(**) Term: **14 Years**

(21) Appl. No.: **29/319,644**

(22) Filed: **Jun. 12, 2008**

(51) **LOC (9) Cl.** **07-01**

(52) **U.S. Cl.** **D7/306**

(58) **Field of Classification Search** D7/306-309, D7/311, 310, 300; 222/129.1-129.4, 135; 220/108, 185.1

See application file for complete search history.

(56) **References Cited**

U.S. PATENT DOCUMENTS

6,619,507 B2 *	9/2003	Lassota	222/108
D518,677 S *	4/2006	Van Berlo	D7/306
D538,577 S *	3/2007	Glucksman et al.	D7/306
D540,608 S *	4/2007	Cahen	D7/309
D556,499 S *	12/2007	Green	D7/313
D563,143 S *	3/2008	Tonelli	D7/306

D569,162 S *	5/2008	Gu et al.	D7/306
D570,637 S *	6/2008	Glucksman et al.	D7/306
D573,392 S *	7/2008	Smith	D7/306
D574,175 S *	8/2008	Cahen	D7/309
D583,609 S *	12/2008	Sluijter	D7/306
D584,096 S *	1/2009	Lutz	D7/307

* cited by examiner

Primary Examiner—Marianne Pandozzi

(74) *Attorney, Agent, or Firm*—Young & Thompson

(57) **CLAIM**

The ornamental design for a dispenser for beverages, as shown.

DESCRIPTION

FIG. 1 is a top, front and side perspective view of a dispenser for beverages, showing our new design;

FIG. 2 is a front elevational view thereof;

FIG. 3 is a rear elevational view thereof;

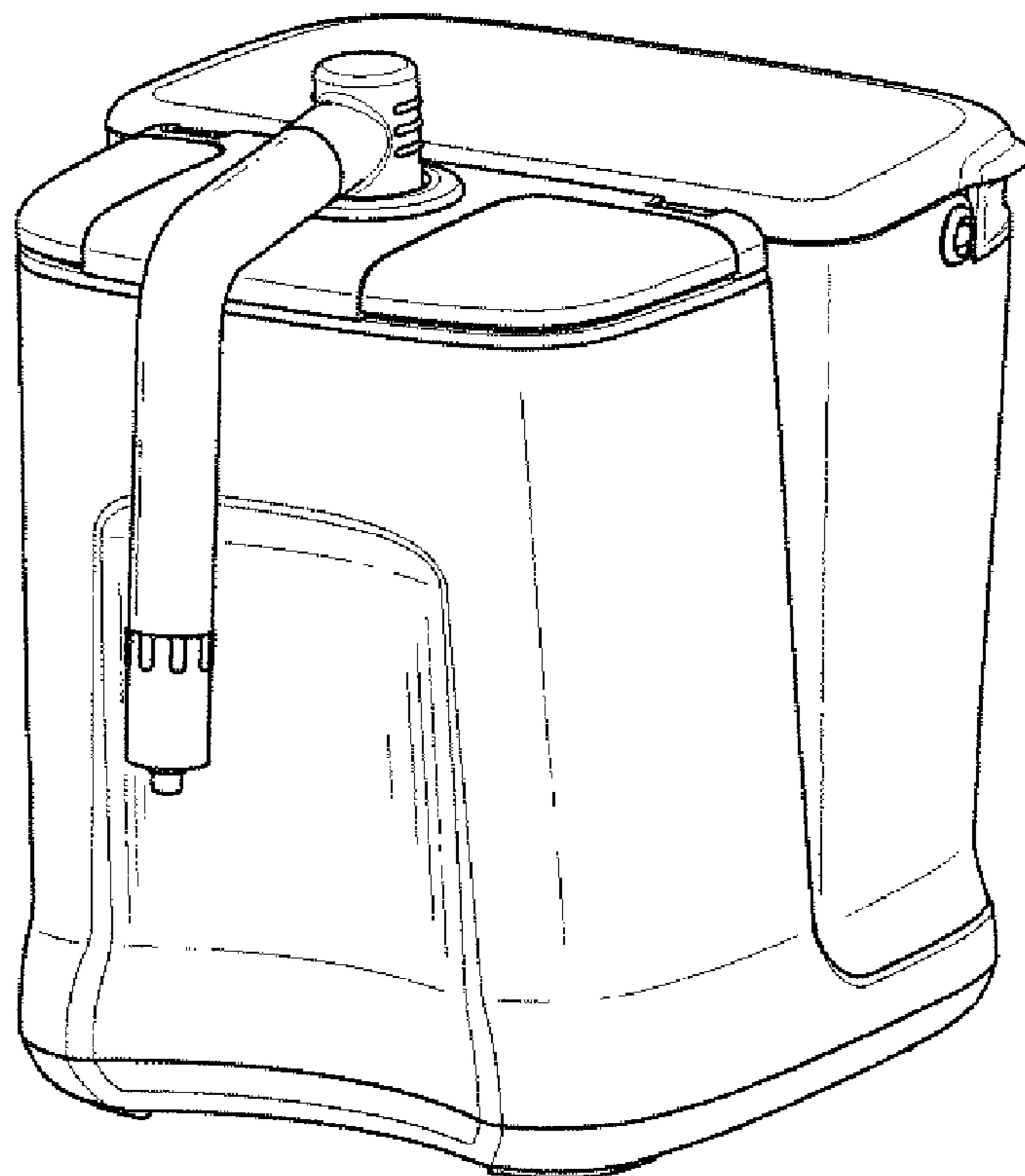
FIG. 4 is a side elevational view thereof from the right of FIG. 2;

FIG. 5 is a side elevational view thereof from the left of FIG. 2;

FIG. 6 is a top plan view thereof; and,

FIG. 7 is a bottom plan view thereof.

1 Claim, 7 Drawing Sheets



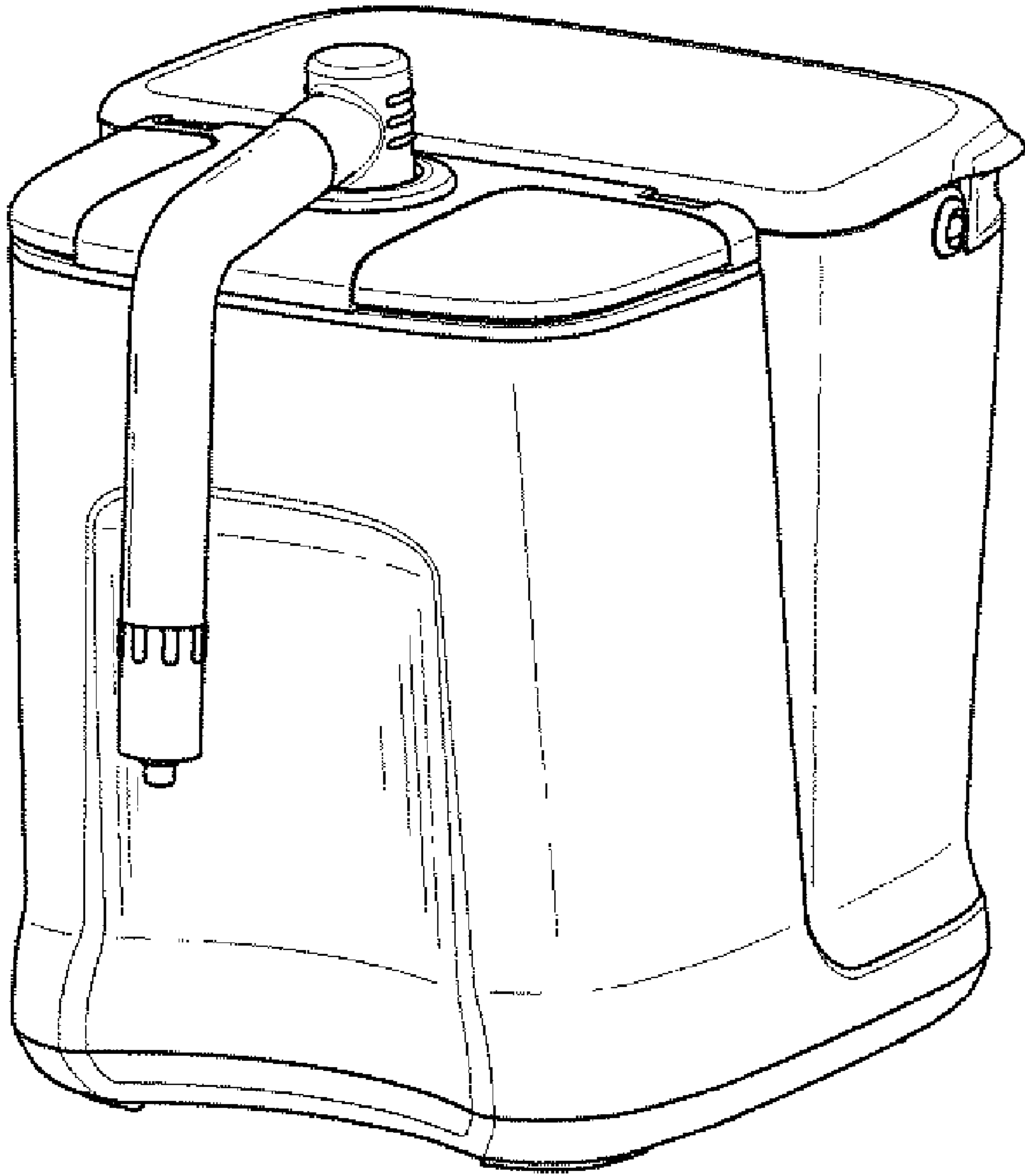


FIG. 1

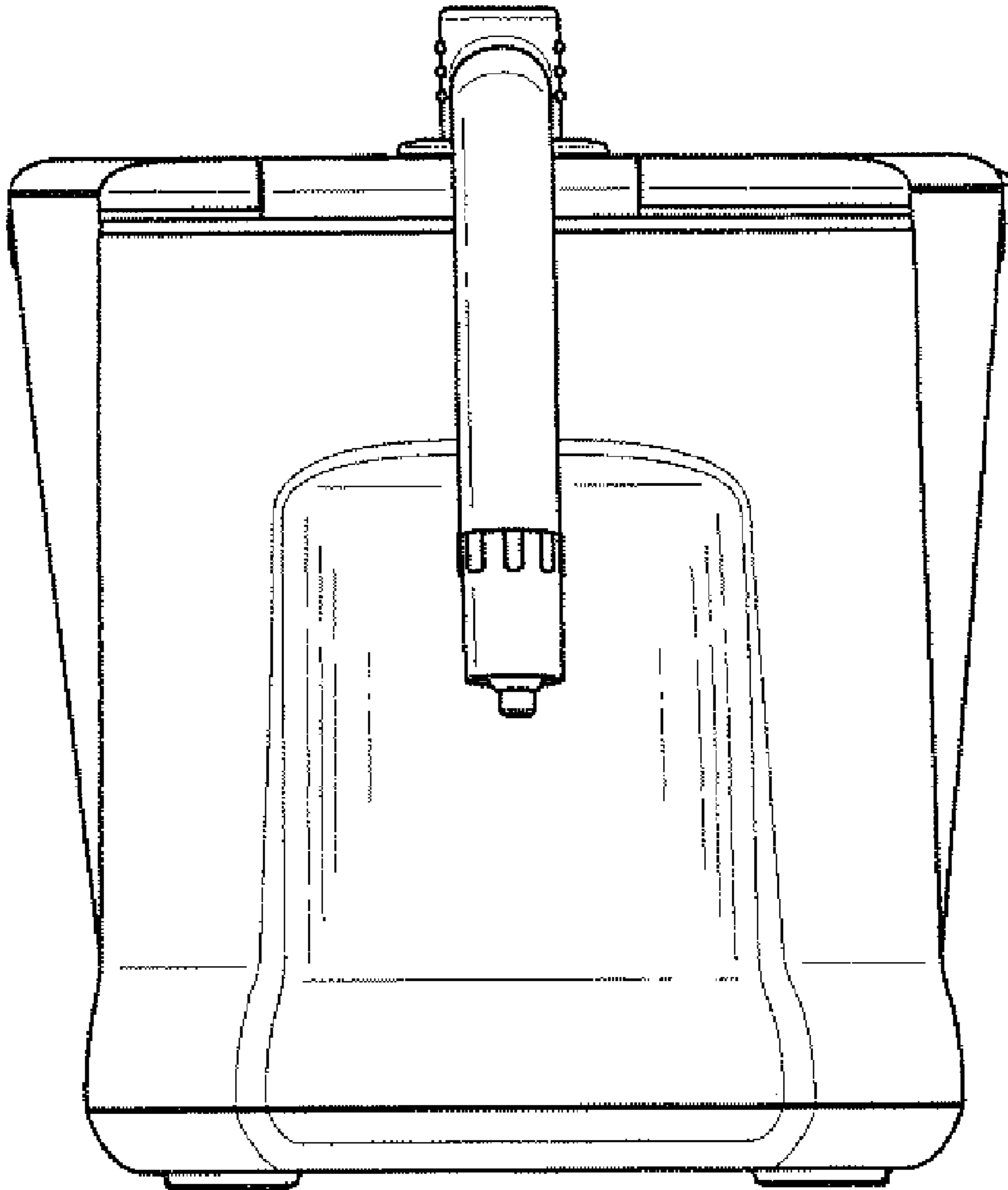


FIG. 2

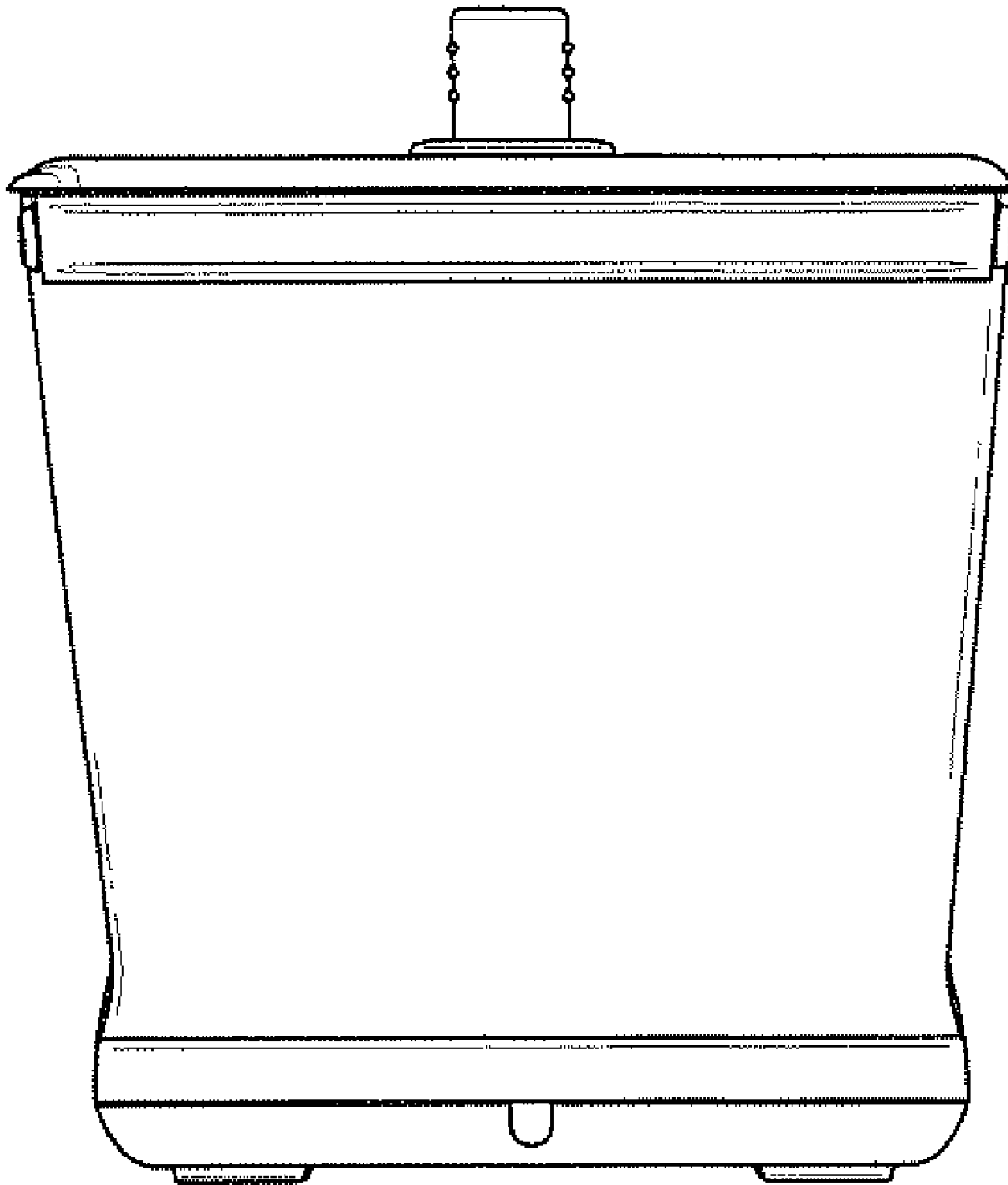


FIG. 3

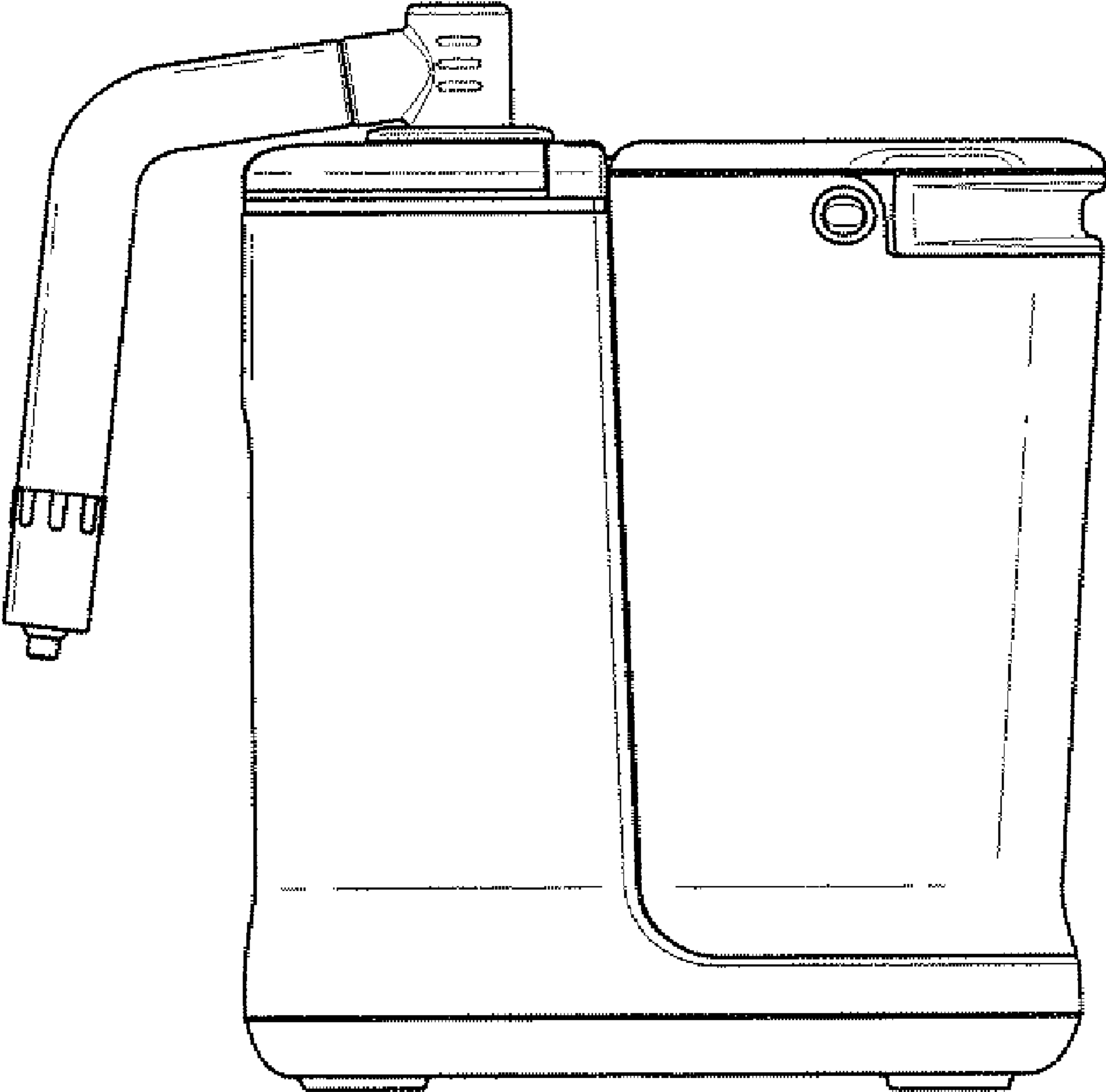


FIG. 4

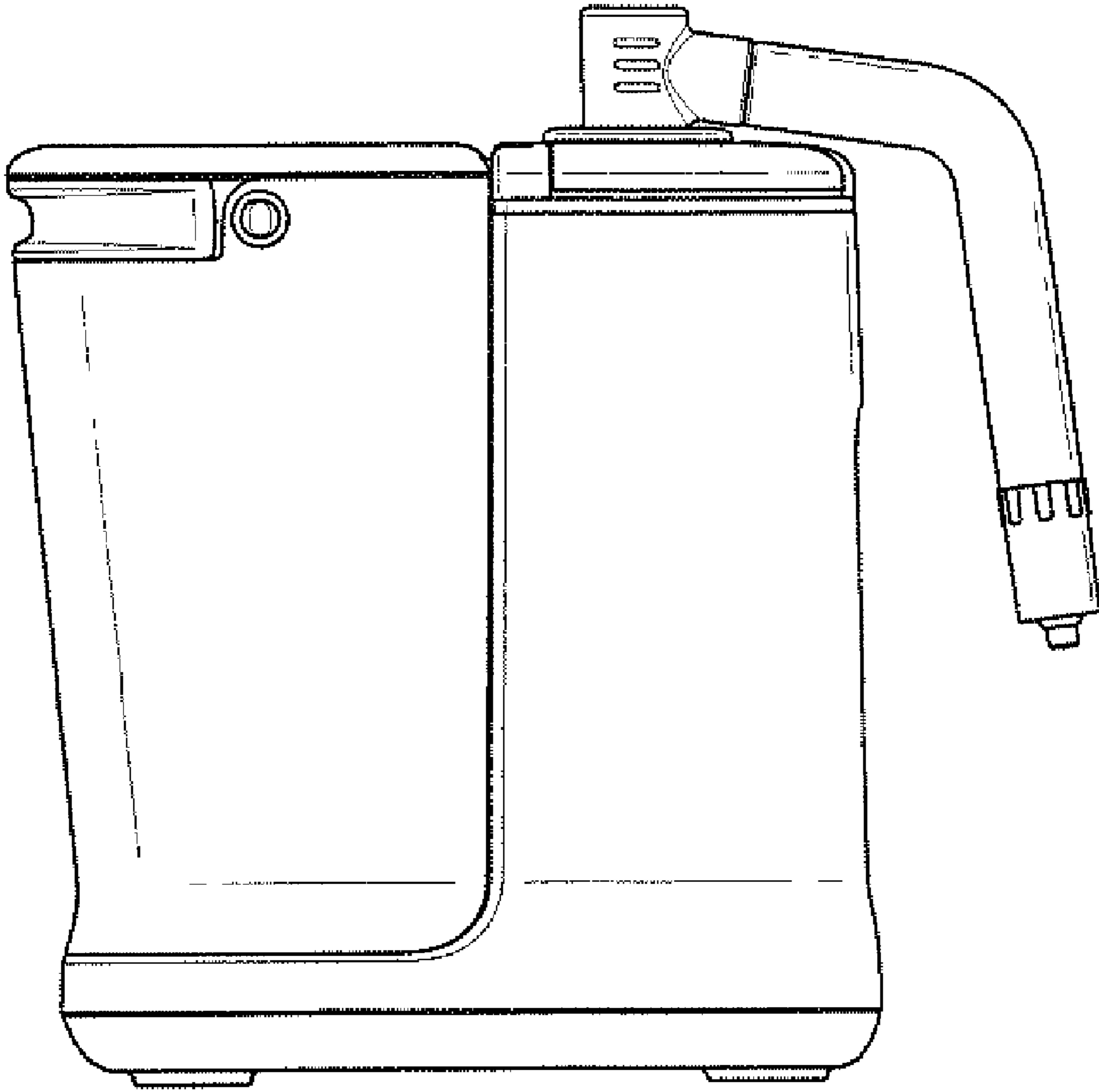


FIG. 5

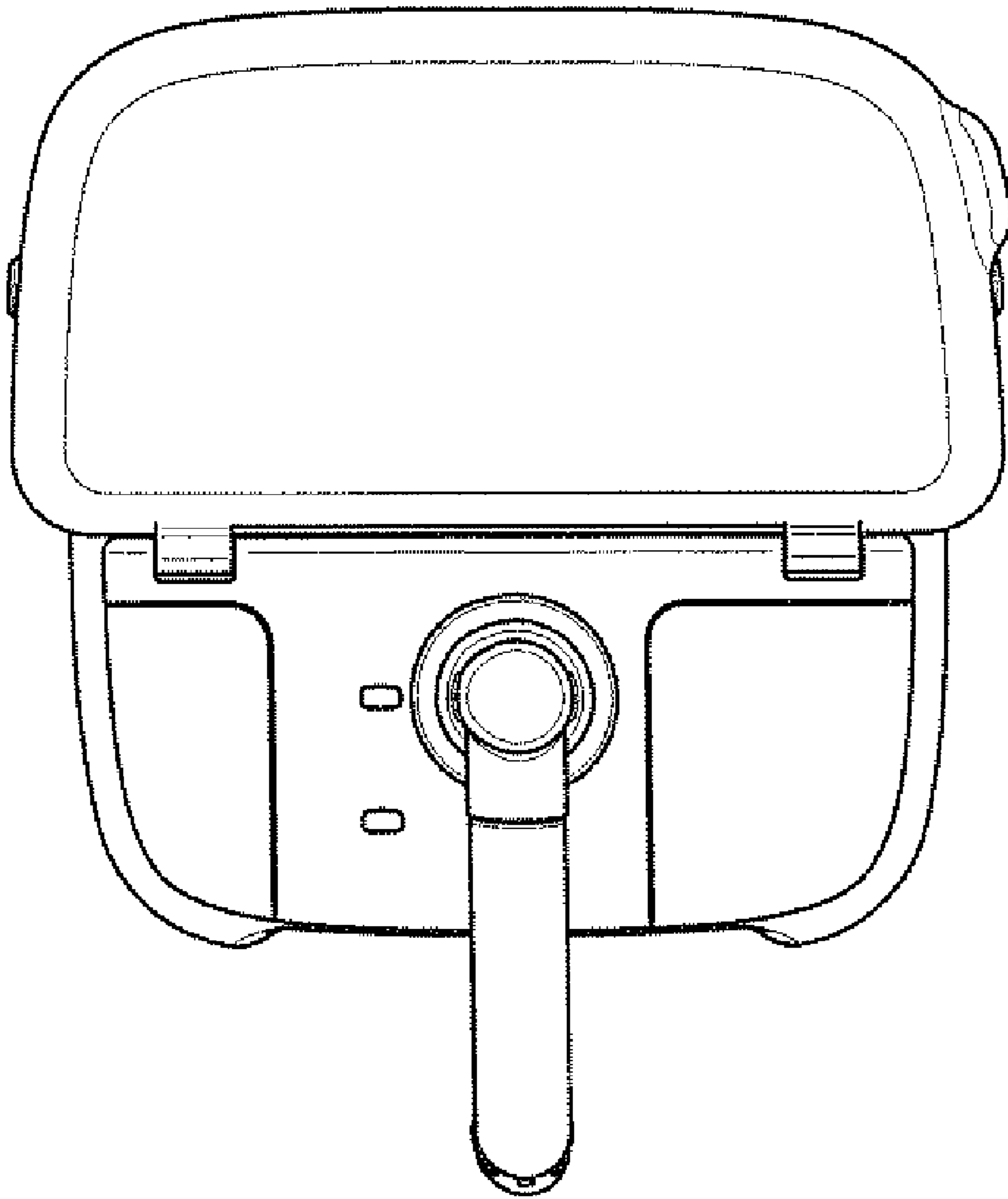


FIG. 6

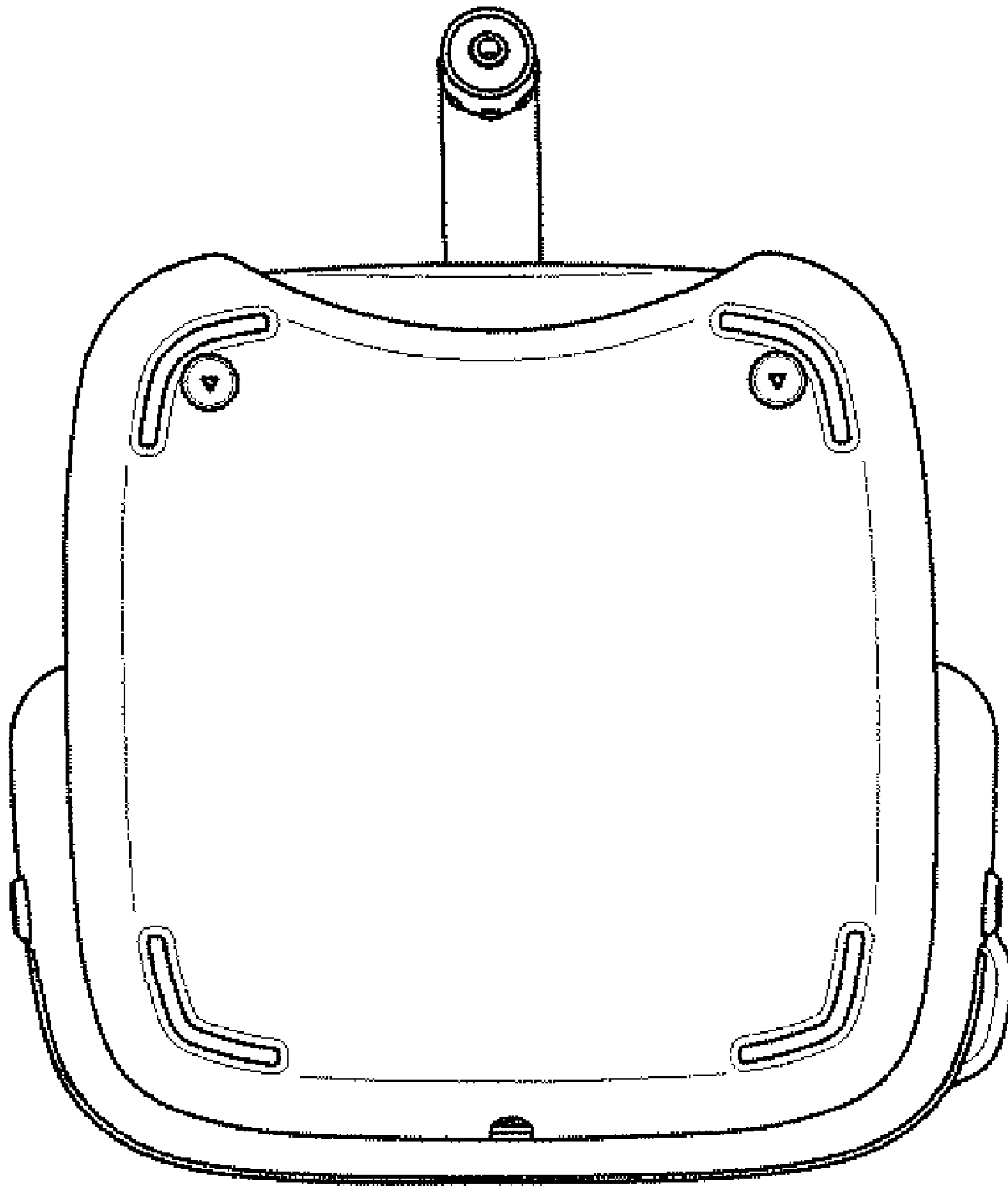


FIG. 7