



US00D589285S

(12) **United States Design Patent**
Tran

(10) **Patent No.:** **US D589,285 S**
(45) **Date of Patent:** **** Mar. 31, 2009**

(54) **BASE FOR A PEDICURE CHAIR**

(76) Inventor: **Minh Sang Tran**, 145 Sheldon Drive,
Cambridge, ON (CA)

(**) Term: **14 Years**

(21) Appl. No.: **29/327,019**

(22) Filed: **Oct. 29, 2008**

(51) **LOC (9) Cl.** **06-01**

(52) **U.S. Cl.** **D6/495**

(58) **Field of Classification Search** D6/334-338,
D6/349, 355, 361, 368-370, 376, 379-381,
D6/492, 495, 500-502; 297/16.1, 42, 94,
297/135, 175, 232, 233, 350, 351, 445.1,
297/448.1, 448.2, 451.9; 5/12.1, 12.2
See application file for complete search history.

(56) **References Cited**

U.S. PATENT DOCUMENTS

| | | | |
|----------------|---------|--------------------|---------|
| D288,729 S | 3/1987 | Meyerovich et al. | |
| D288,993 S * | 3/1987 | Grimsrud | D6/361 |
| D342,165 S | 12/1993 | Marshall et al. | |
| D412,600 S | 8/1999 | Oh et al. | |
| D424,819 S | 5/2000 | Galati, Jr. et al. | |
| D429,379 S | 8/2000 | Kim | |
| D429,380 S | 8/2000 | Fontier et al. | |
| D434,916 S | 12/2000 | Galati, Jr. et al. | |
| D435,937 S | 1/2001 | Back et al. | |
| D454,705 S | 3/2002 | Long et al. | |
| D455,017 S | 4/2002 | Tran | |
| D455,566 S | 4/2002 | Park | |
| D456,154 S | 4/2002 | Huynh et al. | |
| D457,018 S | 5/2002 | Park | |
| 6,503,212 B2 * | 1/2003 | Park | 601/158 |
| D472,720 S | 4/2003 | Cheng | |
| D479,919 S | 9/2003 | Genelli et al. | |
| D498,599 S | 11/2004 | Luong | |
| D504,783 S | 5/2005 | Park | |
| D505,021 S | 5/2005 | Kim | |
| D520,791 S | 5/2006 | Solowiej | |
| D526,505 S | 8/2006 | Gruenwald et al. | |
| D541,060 S | 4/2007 | Fugate et al. | |
| D549,876 S | 8/2007 | Le | |

| | | | |
|-----------------|---------|--------------------|--------|
| D549,999 S | 9/2007 | Fugate et al. | |
| D556,480 S | 12/2007 | Tran | |
| D561,903 S | 2/2008 | Ton | |
| D562,575 S | 2/2008 | Le | |
| D566,407 S | 4/2008 | Gay | |
| D568,485 S | 5/2008 | Ton | |
| D569,135 S * | 5/2008 | Galati et al. | D6/495 |
| D571,565 S | 6/2008 | Cheng | |
| D571,961 S | 6/2008 | Nguyen | |
| D576,806 S | 9/2008 | Le | |
| D576,807 S | 9/2008 | Le | |
| 2006/0242760 A1 | 11/2006 | Chao | |
| 2007/0226896 A1 | 10/2007 | Fugate et al. | |
| 2007/0226897 A1 | 10/2007 | Fugate | |

OTHER PUBLICATIONS

U.S. Appl. No. 29/319,651, Minh Sang Tran, filed Jun. 12, 2008.
U.S. Appl. No. 29/319,652, Minh Sang Tran, filed Jun. 12, 2008.

* cited by examiner

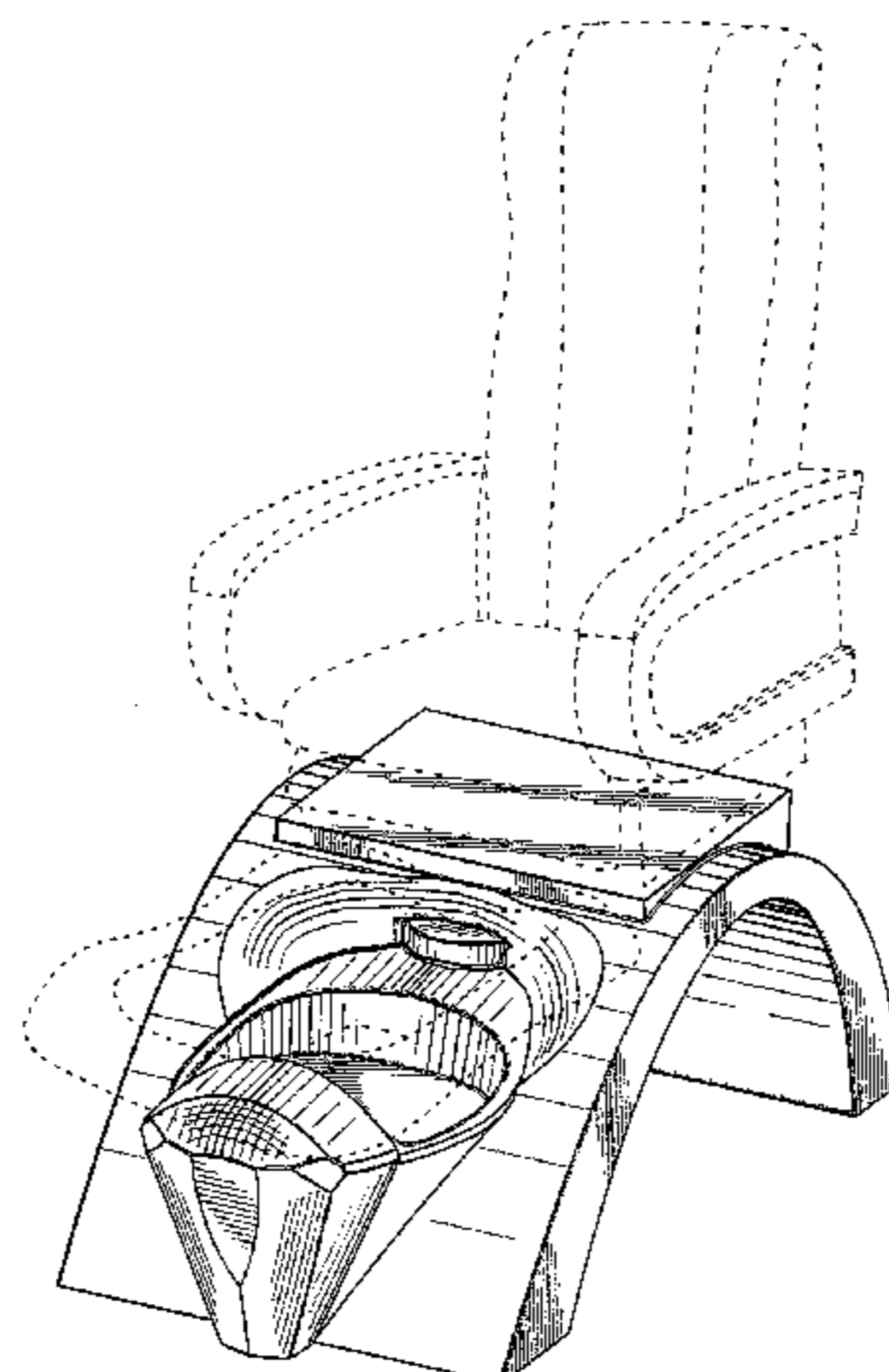
Primary Examiner—Sandra Snapp
(74) *Attorney, Agent, or Firm*—Jones, Walker, Waechter,
Poitevent, Carrere & Denegre, LLP

(57) **CLAIM**

I claim the ornamental design for a base for a pedicure chair,
as shown and described.

DESCRIPTION

FIG. 1 is a front perspective view of a base for a pedicure chair
embodying the present invention;
FIG. 2 is a rear perspective view of the base of FIG. 1;
FIG. 3 is a top view of the base of FIG. 1;
FIG. 4 is a bottom view of the base of FIG. 1;
FIG. 5 is a side view of the base of FIG. 1;
FIG. 6 is an alternate side view of the base of FIG. 1;
FIG. 7 is a front view of the base of FIG. 1;
FIG. 8 is a rear view of the base of FIG. 1; and,
FIG. 9 is a front perspective view of the base of FIG. 1.
The broken lines shown herein are for illustrative purposes
only and form no part of the claimed design.



1 Claim, 6 Drawing Sheets

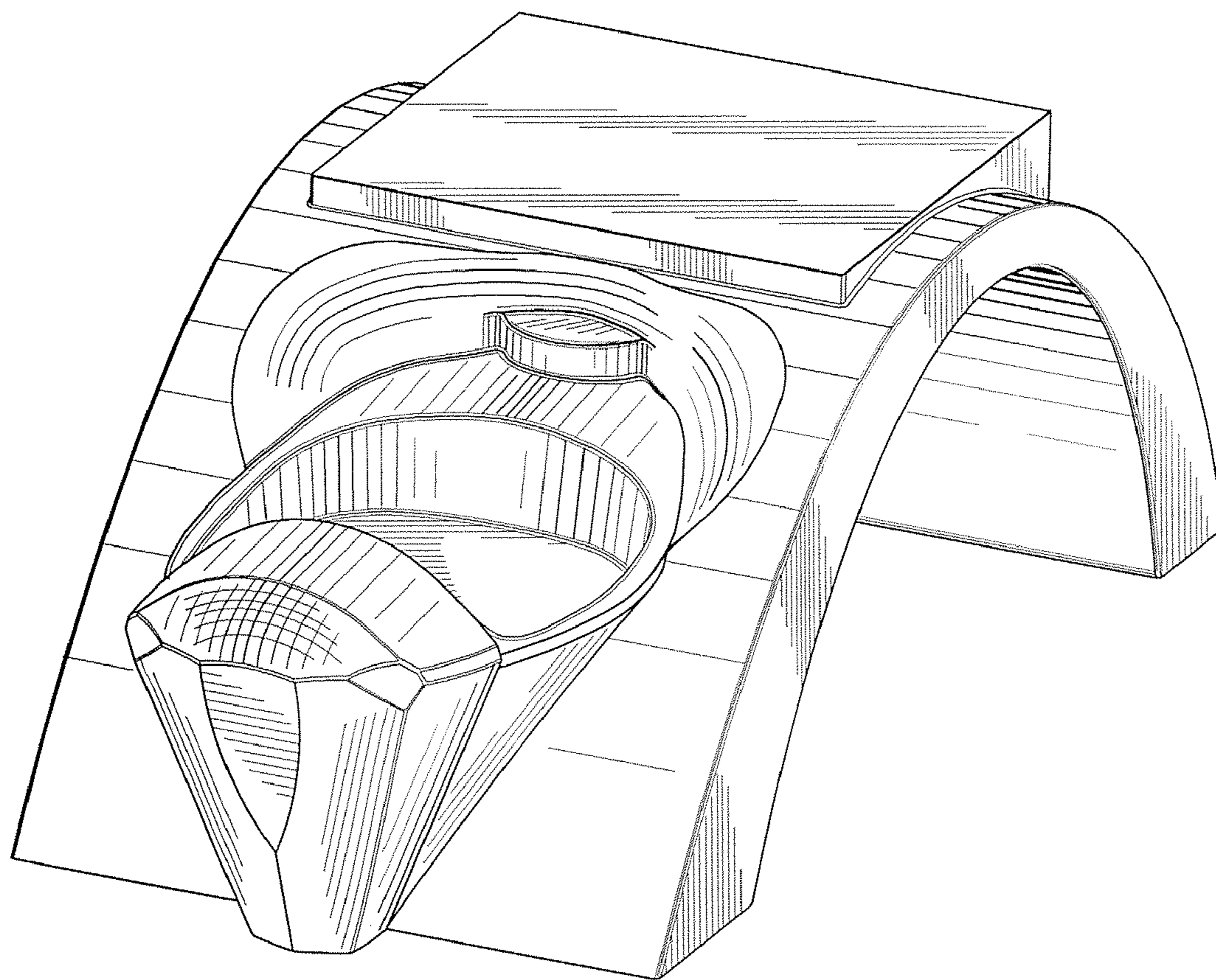


FIG. 1

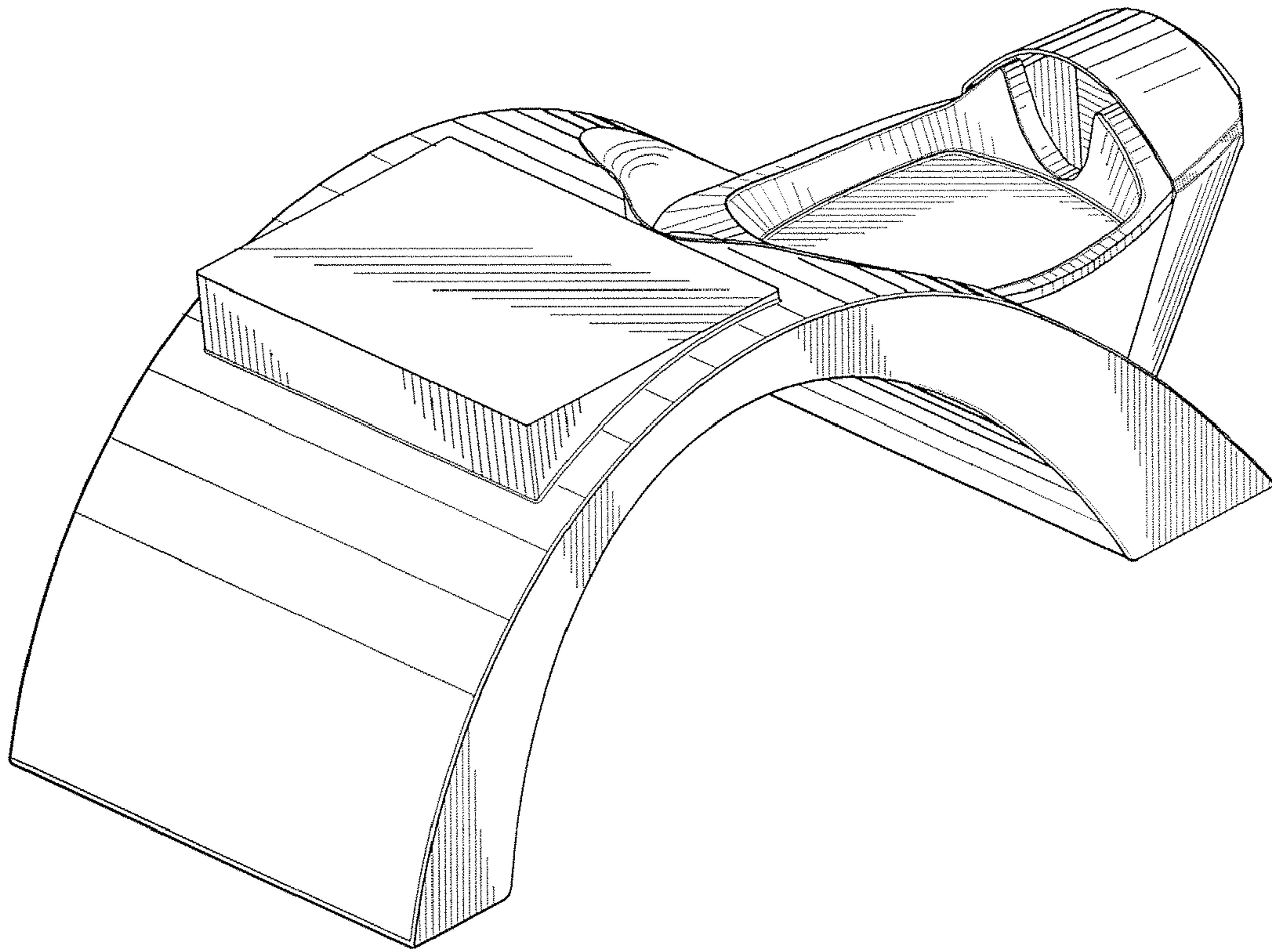


FIG.2

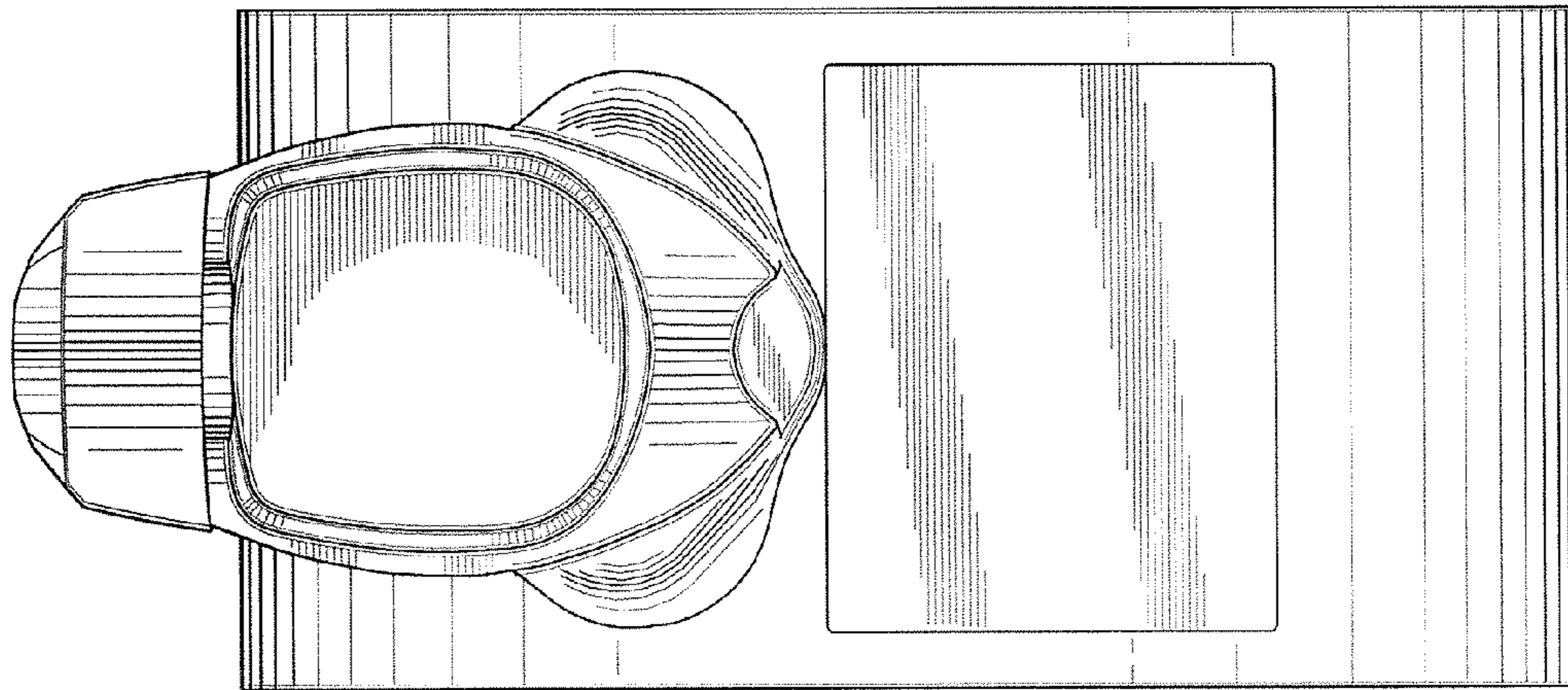


FIG. 3

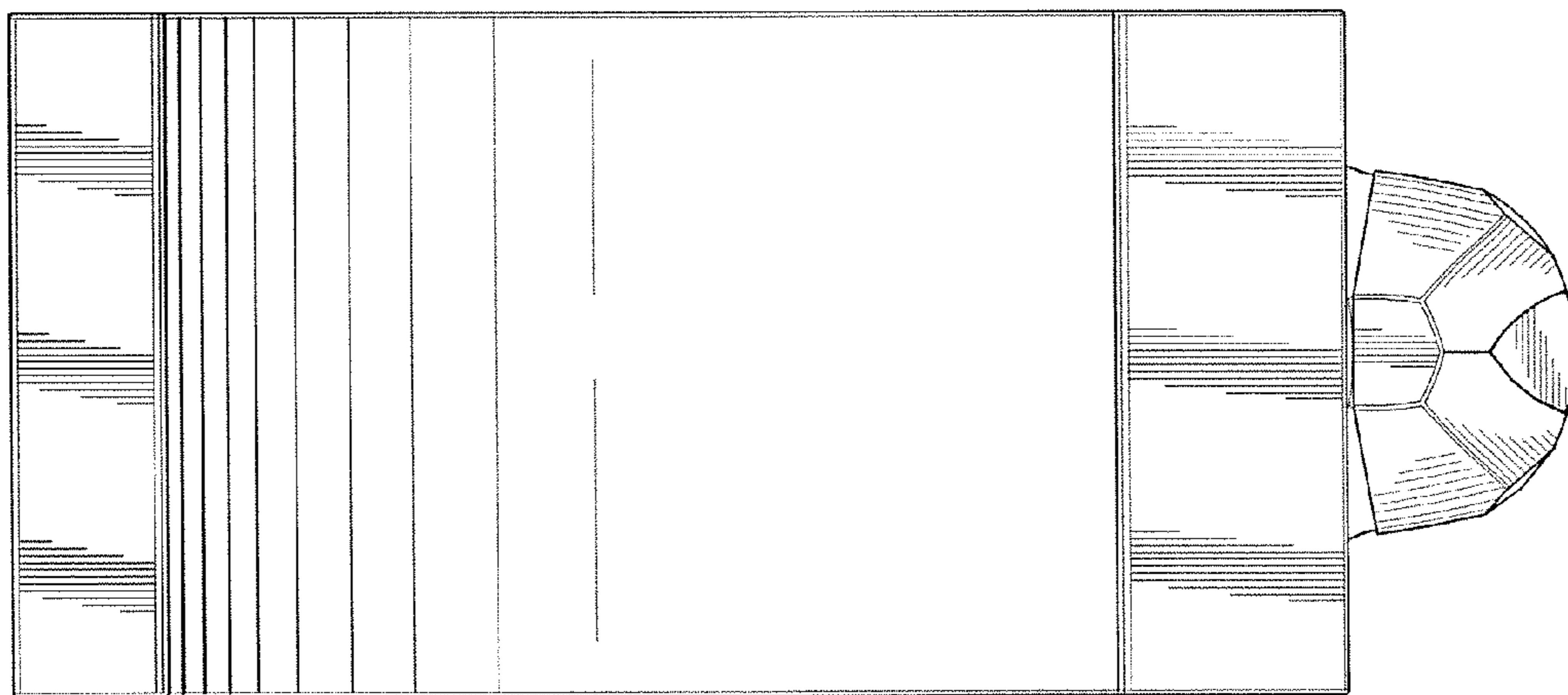


FIG. 4

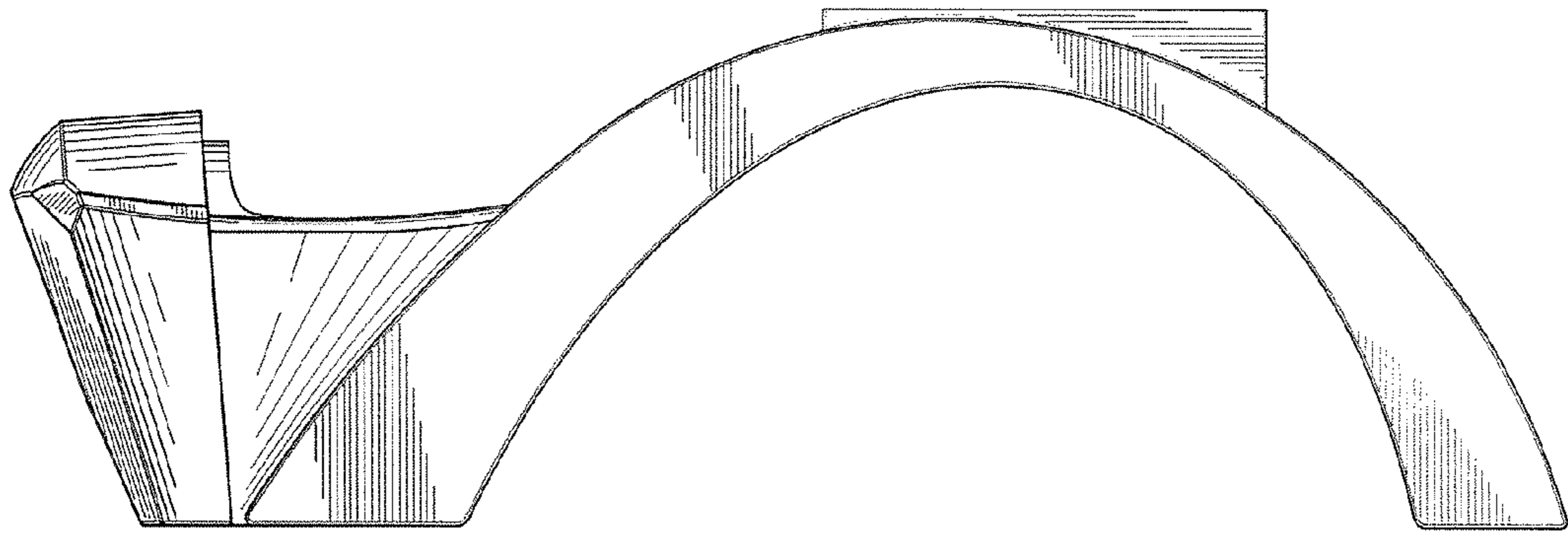


FIG. 5

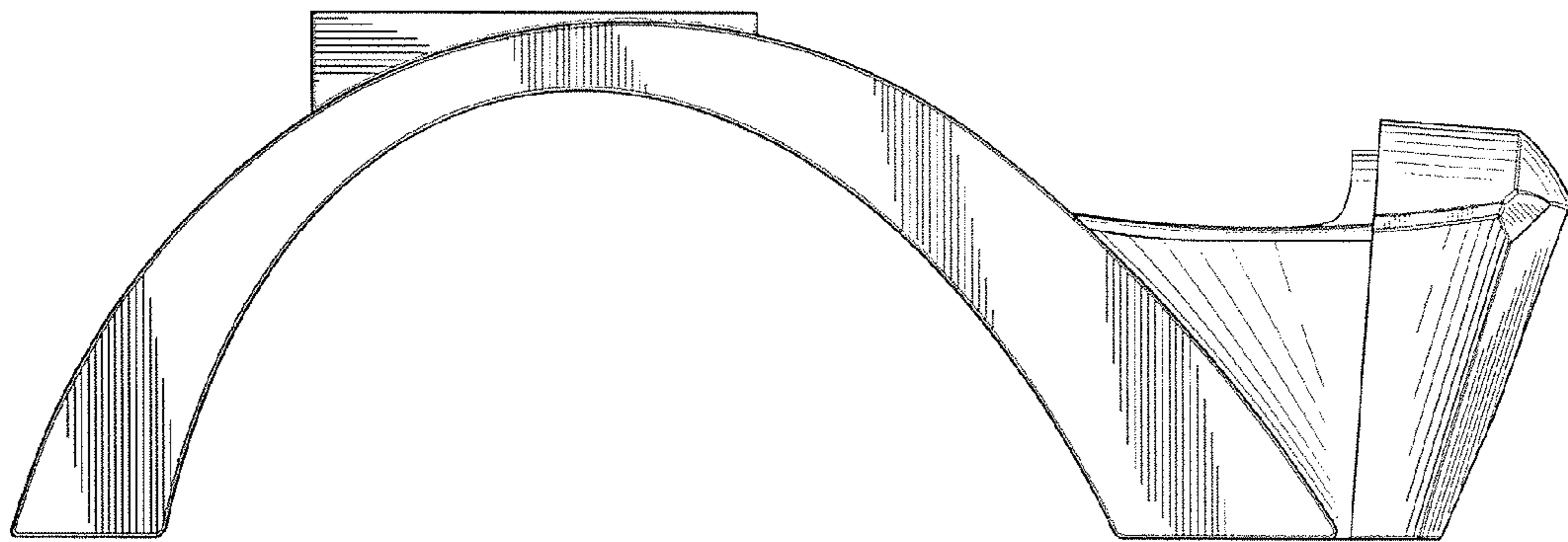


FIG. 6

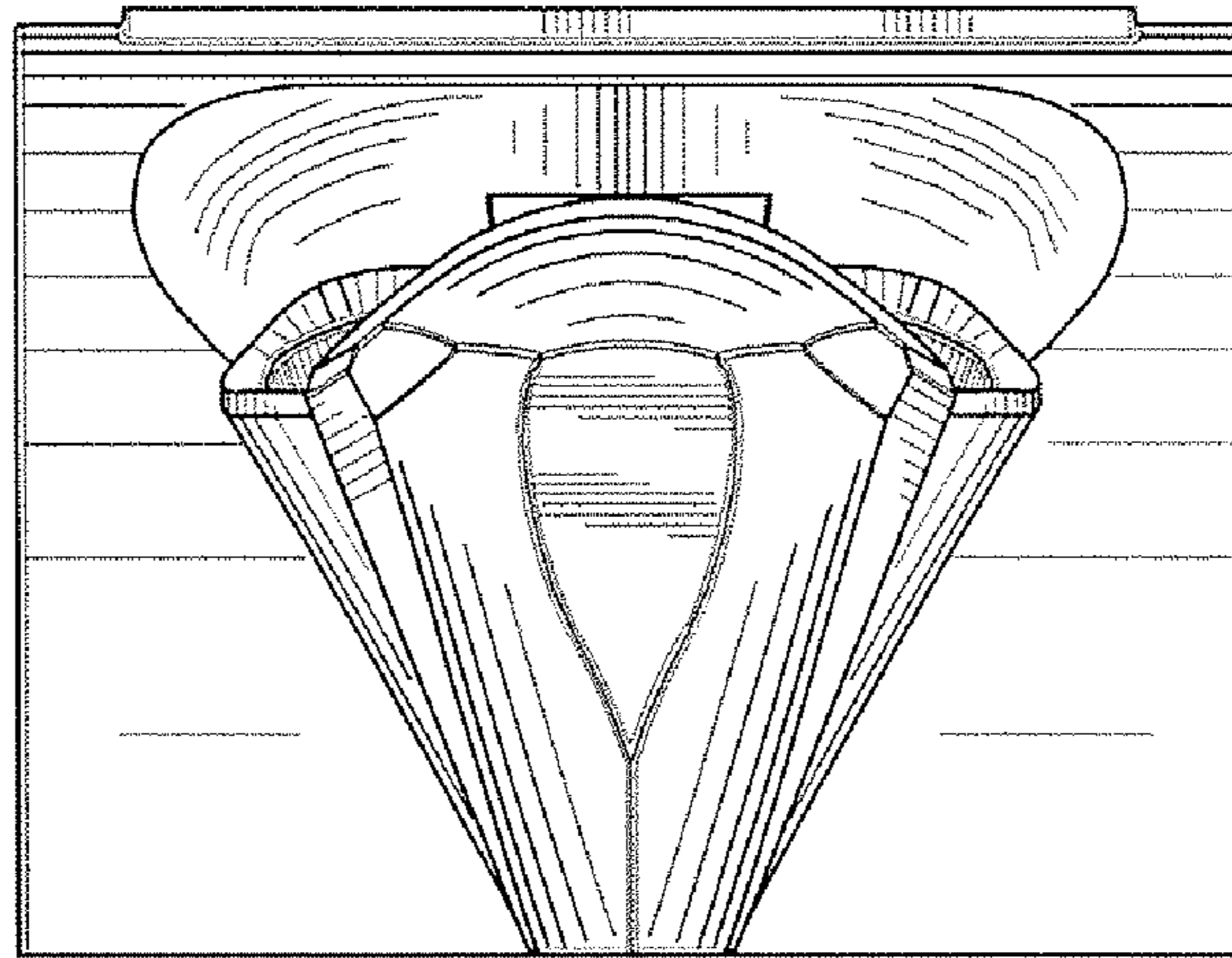


FIG. 7

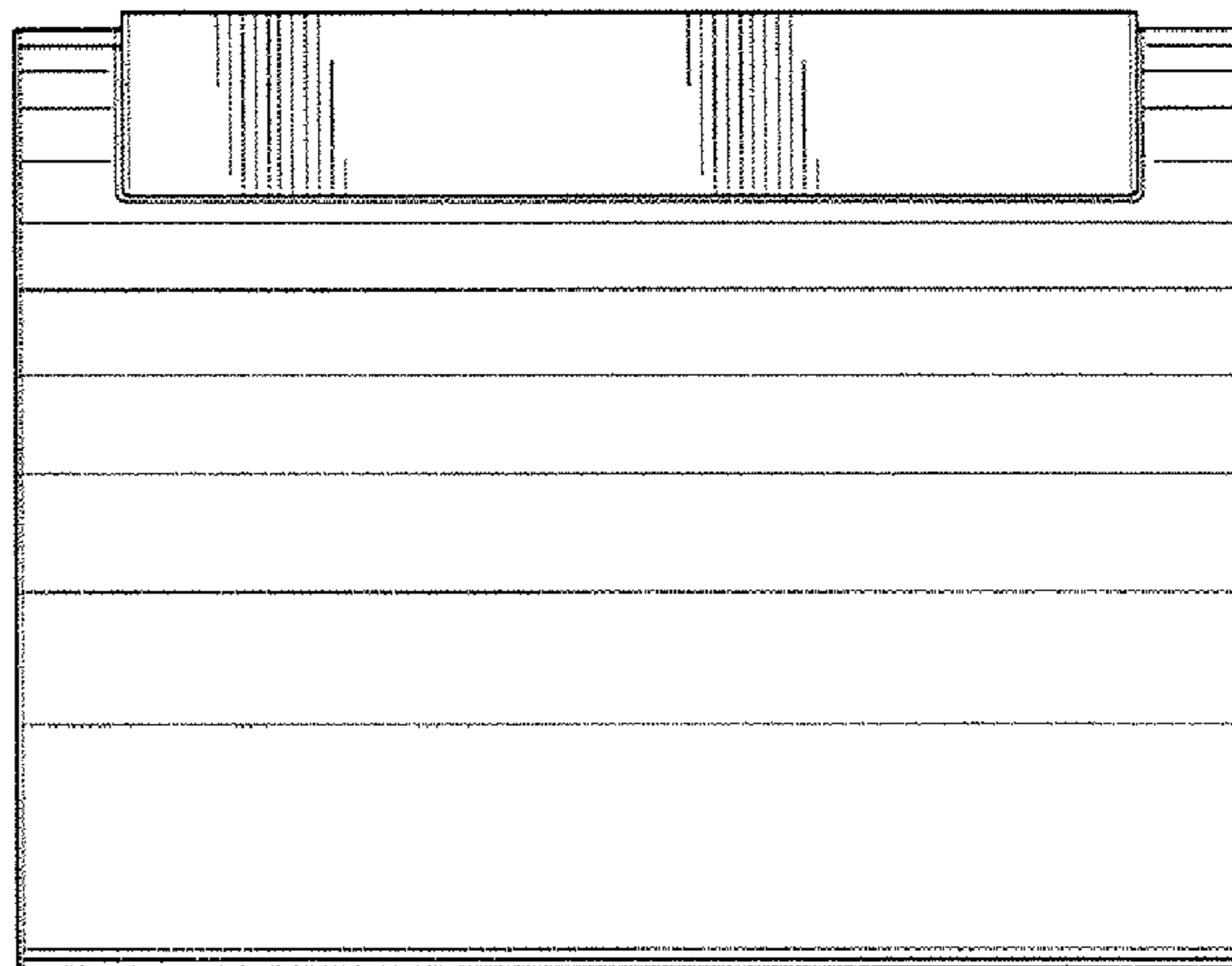


FIG. 8

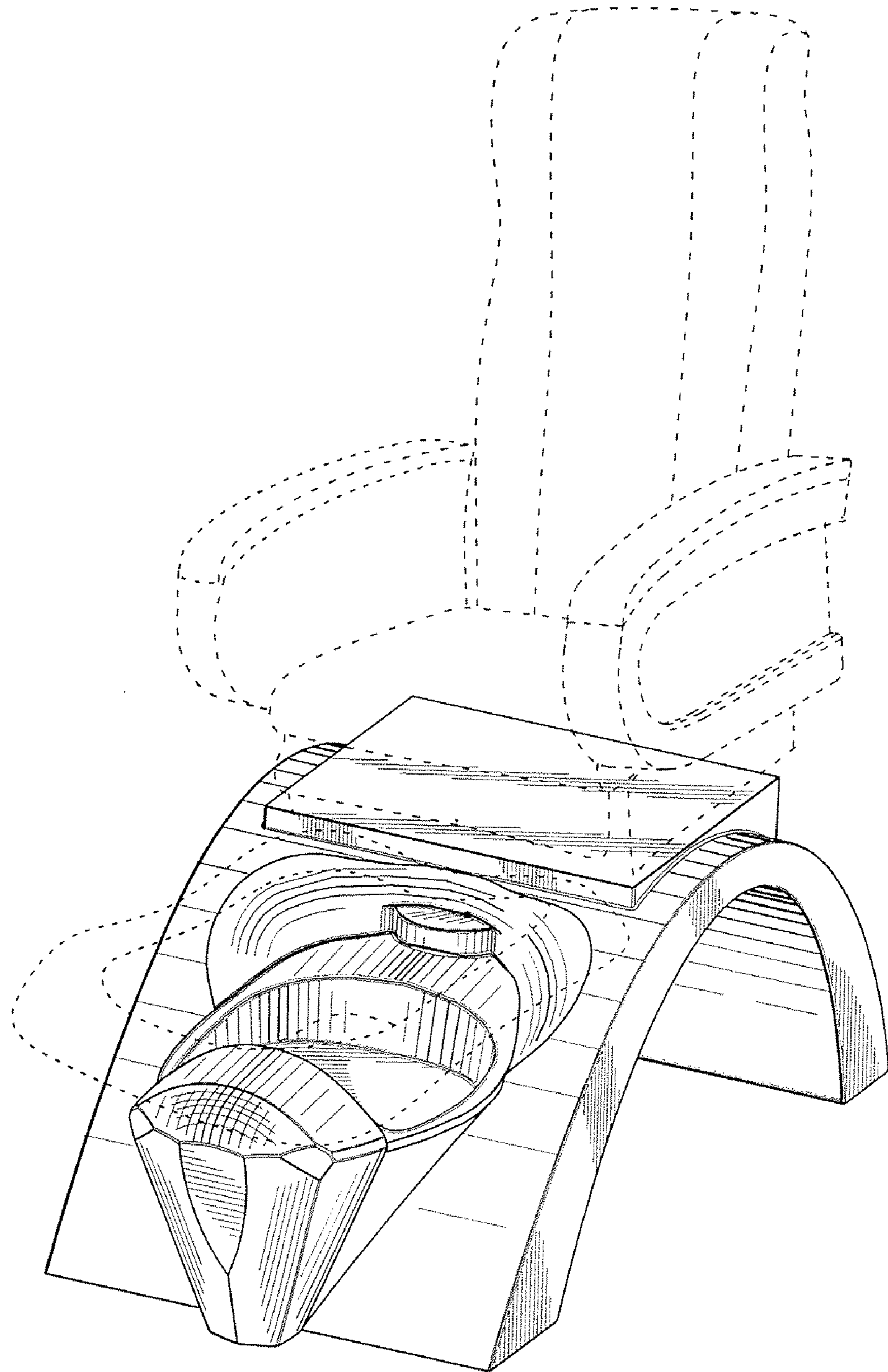


FIG.9