



US00D589283S

(12) **United States Design Patent**
Stangdell

(10) **Patent No.:** **US D589,283 S**
(45) **Date of Patent:** **** Mar. 31, 2009**

(54) **TABLE**

(75) Inventor: **John Stangdell**, Tyresö (SE)

(73) Assignee: **Xsense Design AB**, Tyresö (SE)

(**) Term: **14 Years**

(21) Appl. No.: **29/290,495**

(22) Filed: **Dec. 11, 2007**

(30) **Foreign Application Priority Data**

Jun. 21, 2007 (EM) 000744107

(51) **LOC (9) Cl.** **06-03**

(52) **U.S. Cl.** **D6/485; D6/484**

(58) **Field of Classification Search** D6/480-489,
D6/495-499, 429-431, 511; 108/150, 153.1,
108/156, 157.1, 161; 248/188, 188.1, 188.8
See application file for complete search history.

(56) **References Cited**

U.S. PATENT DOCUMENTS

D316,348 S	*	4/1991	Livi	D6/484
D432,809 S	*	10/2000	Hewitt	D6/396
D444,322 S	*	7/2001	Yoshino	D6/484
D462,204 S	*	9/2002	Ross	D6/485
D570,130 S	*	6/2008	Wong	D6/390

* cited by examiner

Primary Examiner—Janice E Seeger

(74) *Attorney, Agent, or Firm*—Dickstein Shapiro LLP

(57) **CLAIM**

The ornamental design for a table, as shown and described.

DESCRIPTION

FIG. 1 is a top perspective view of the table of the present invention;

FIG. 2 is a first side view of the table of the present invention; FIG. 3 is a second side view of the table of the present invention, from the opposite side as FIG. 2;

FIG. 4 is a front view of the table of the present invention;

FIG. 5 is a back view of the table of the present invention;

FIG. 6 is a bottom view of the table of the present invention;

FIG. 7 is a top view of the table of the present invention;

FIG. 8 is a top perspective view of a second embodiment of the table of the present invention;

FIG. 9 is a first side view of the second embodiment of the table of the present invention;

FIG. 10 is a second side view of the second embodiment of the table of the present invention, from the opposite side as FIG. 9;

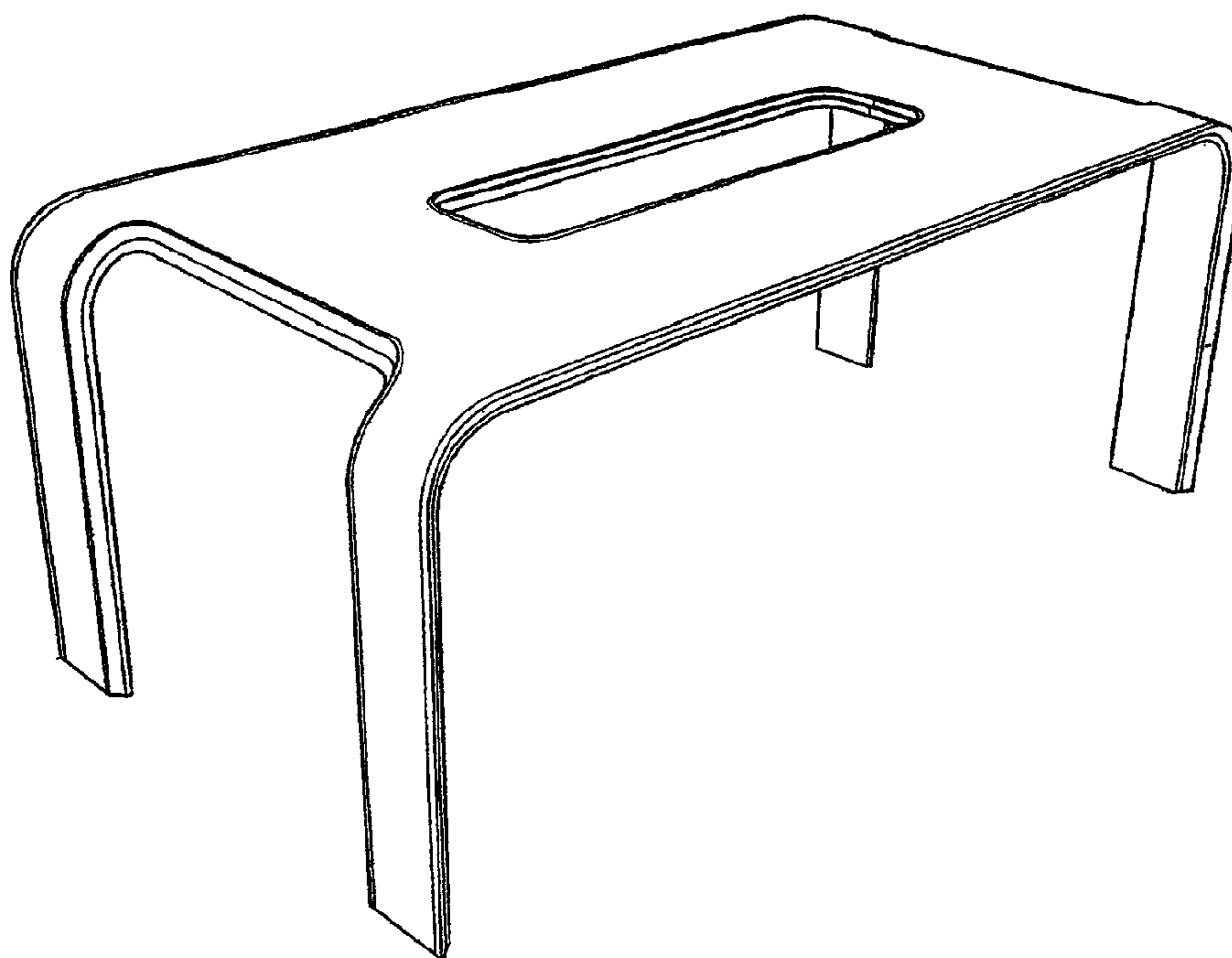
FIG. 11 is a front view of the second embodiment of the table of the present invention;

FIG. 12 is a back view of the second embodiment of the table of the present invention;

FIG. 13 is a bottom view of the second embodiment of the table of the present invention; and,

FIG. 14 is a top view of the second embodiment of the table of the present invention.

1 Claim, 6 Drawing Sheets



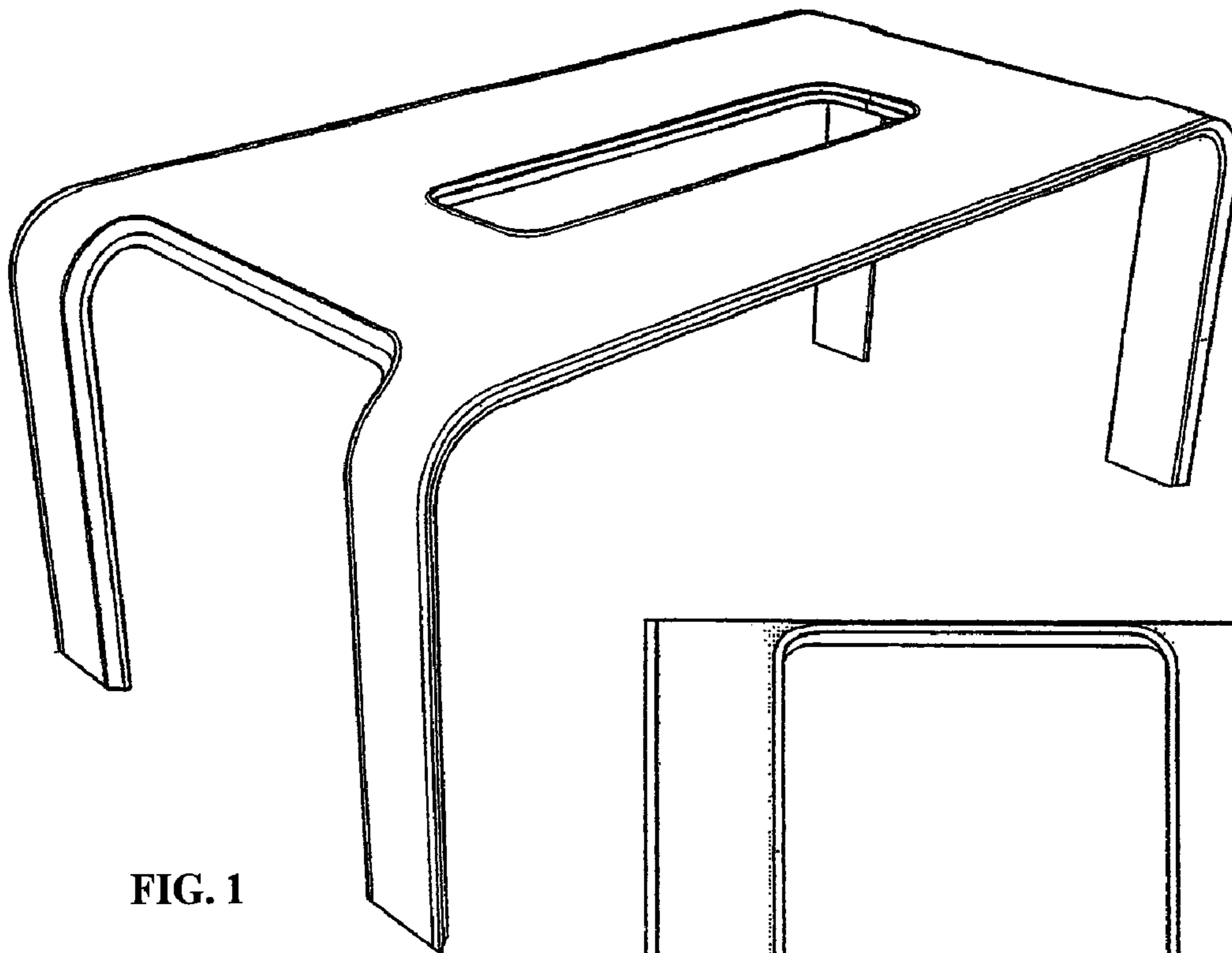


FIG. 1

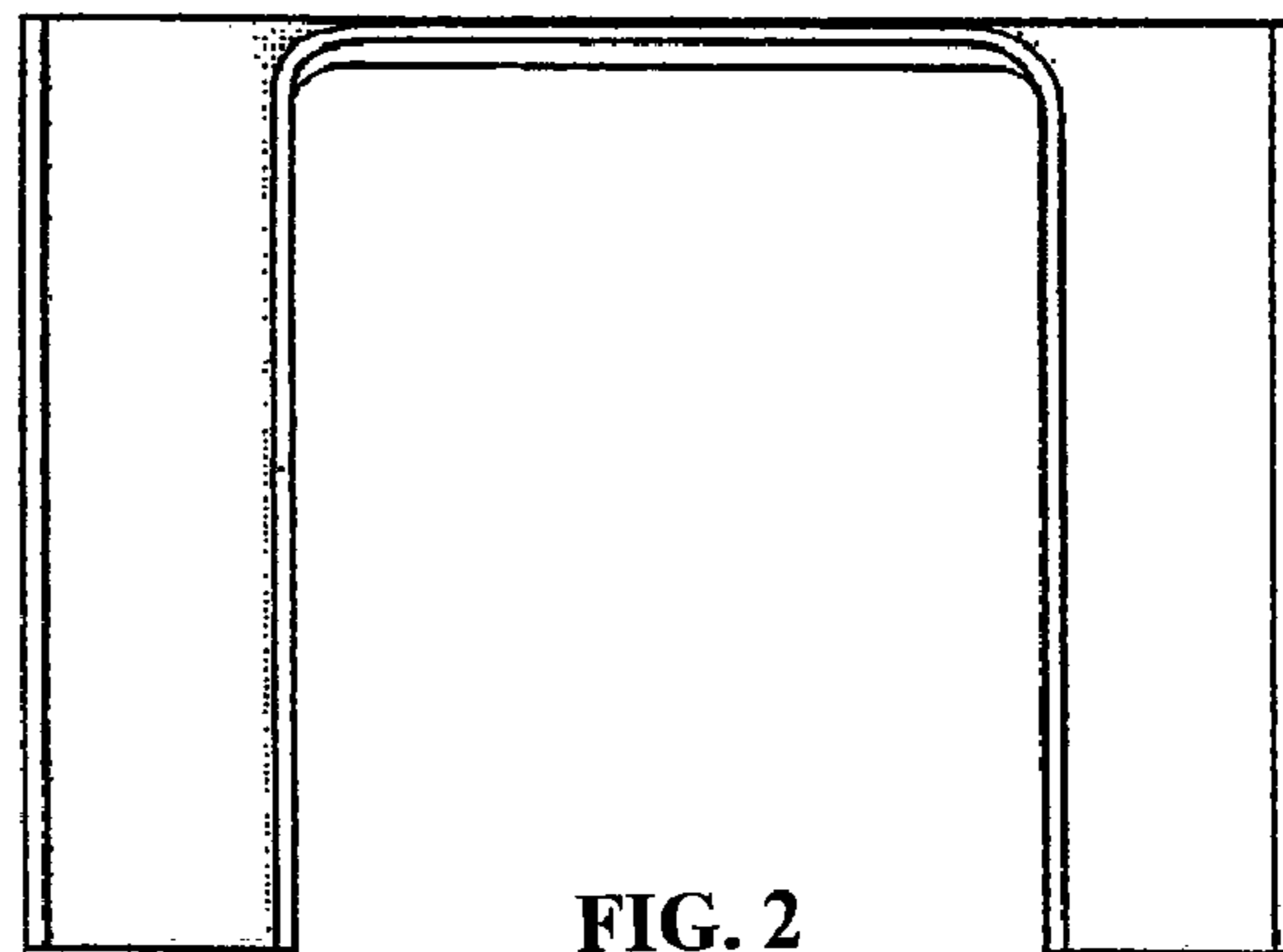


FIG. 2

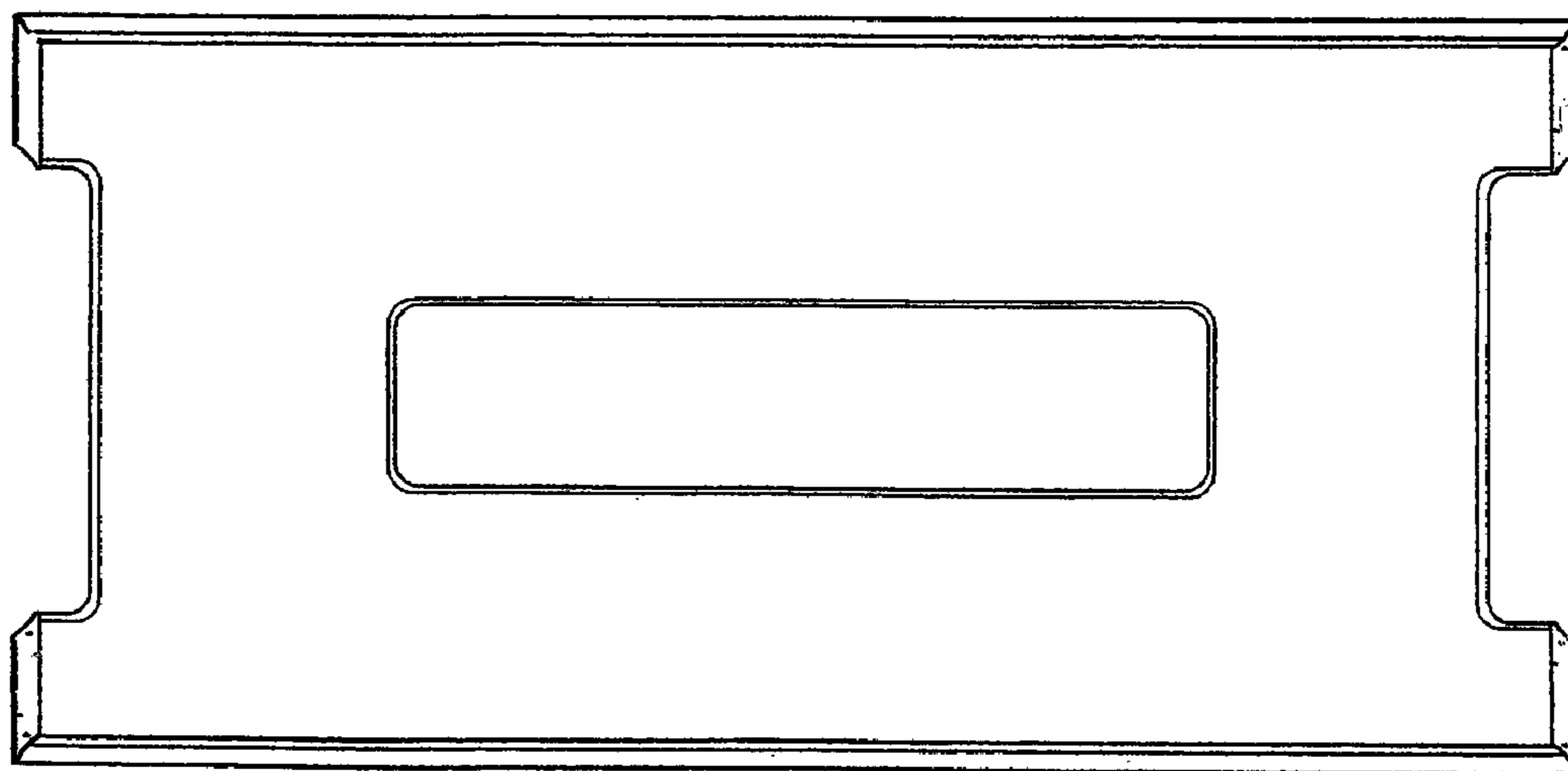


FIG. 6

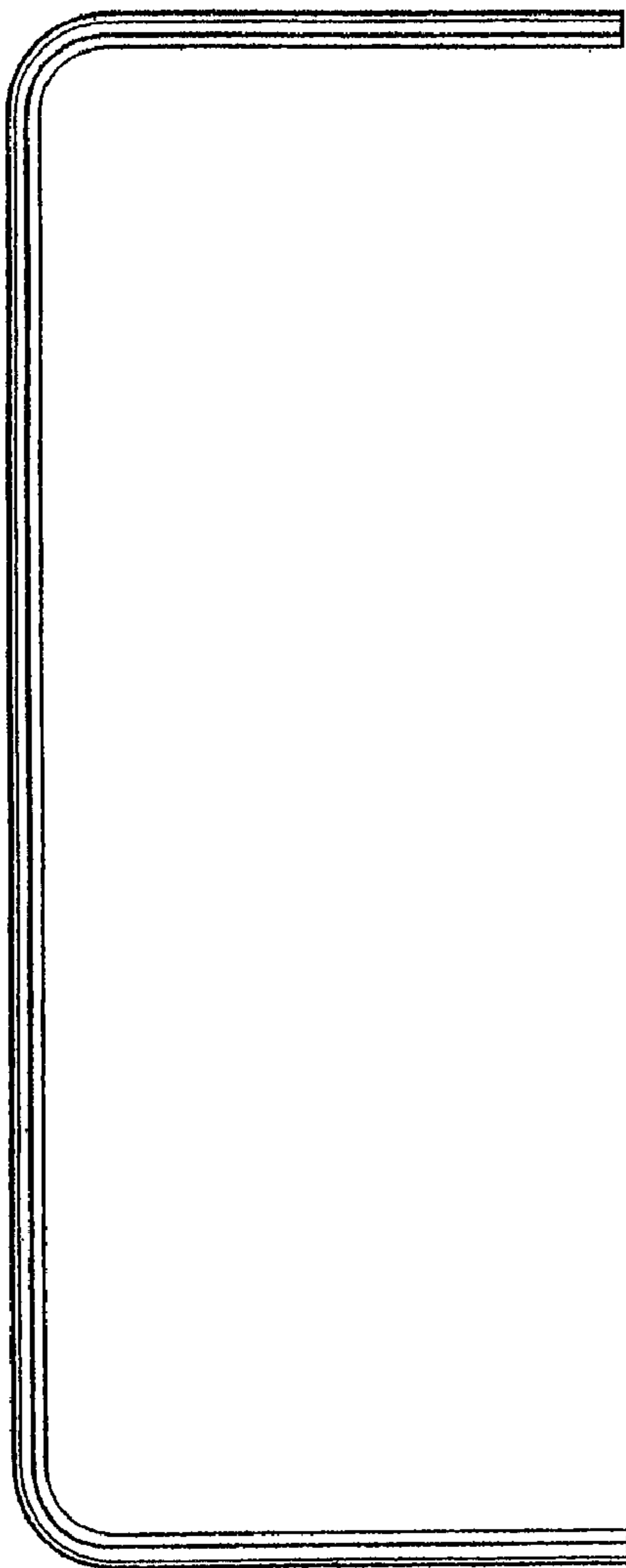


FIG. 5

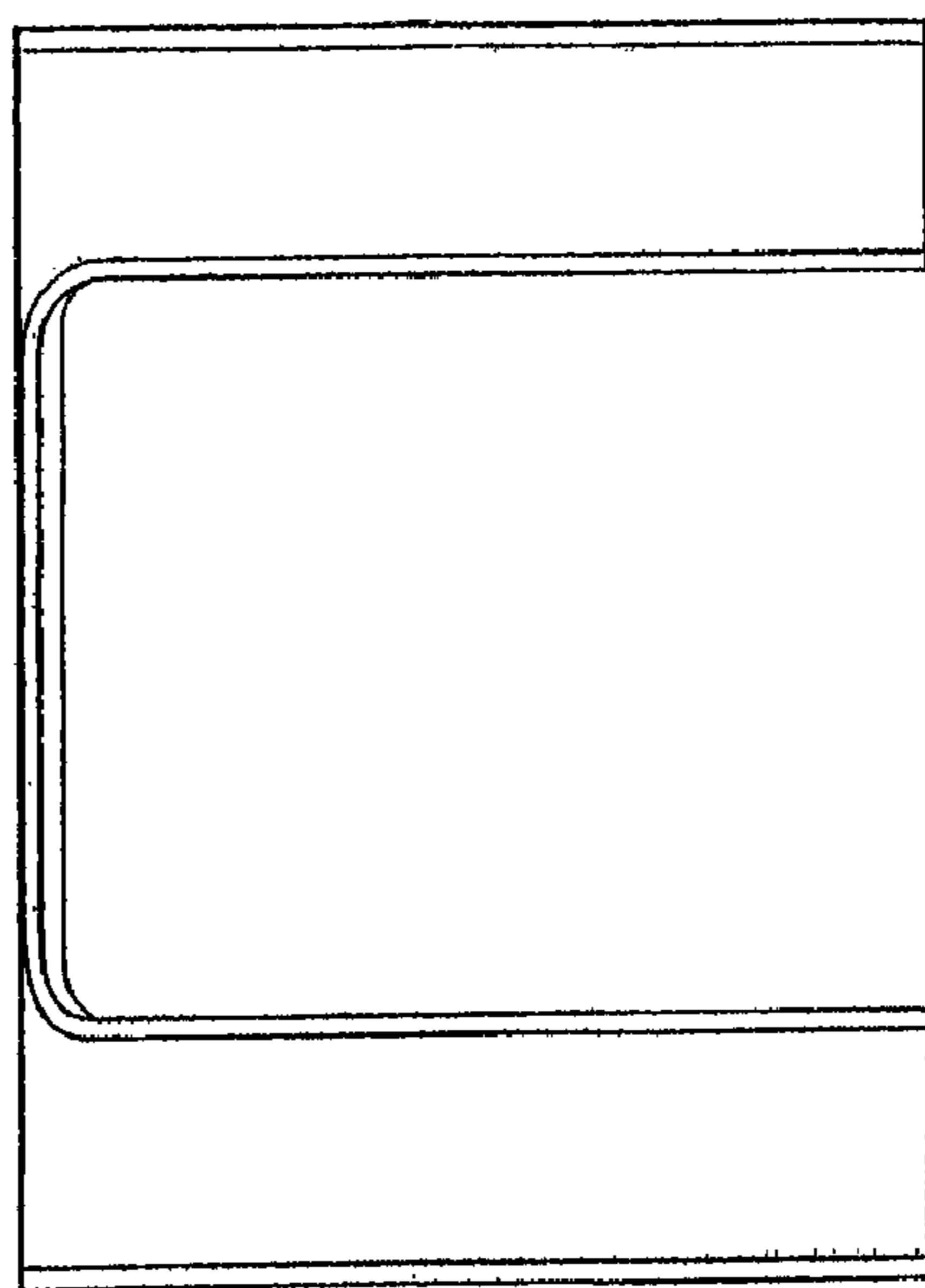


FIG. 3

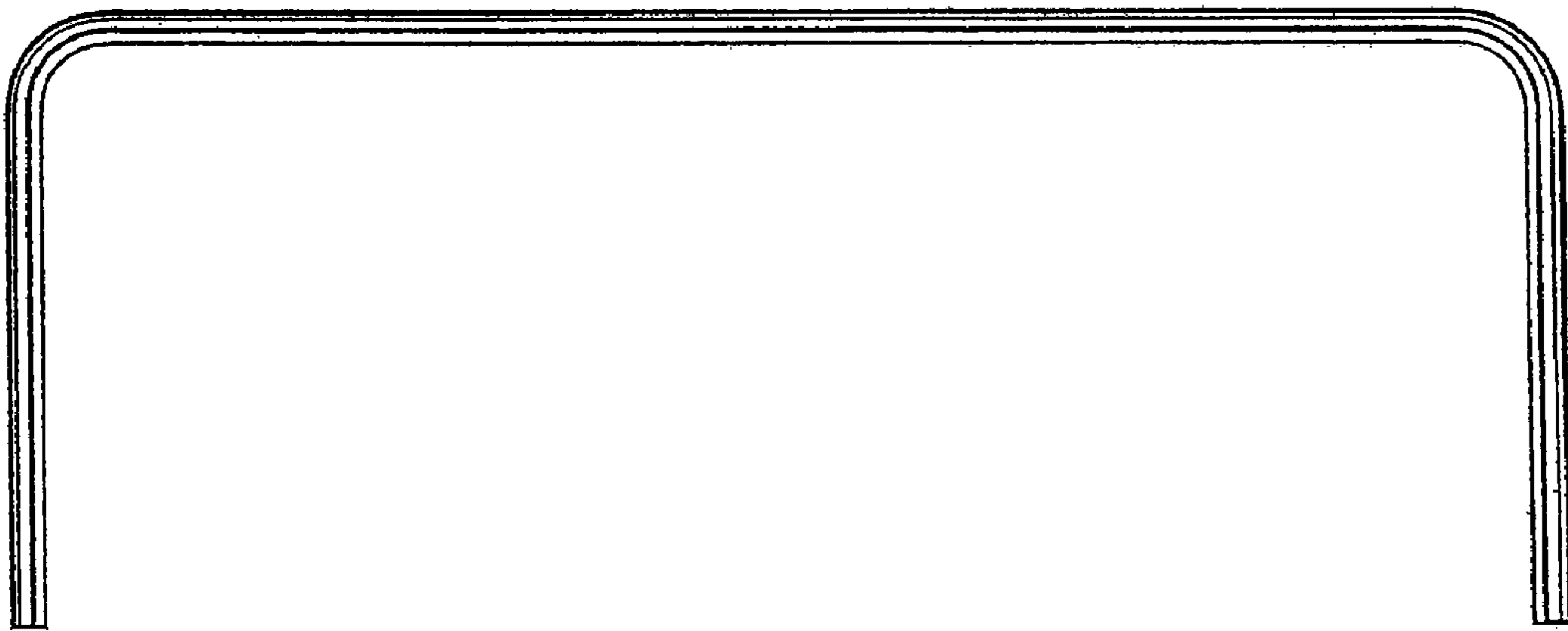


FIG. 4

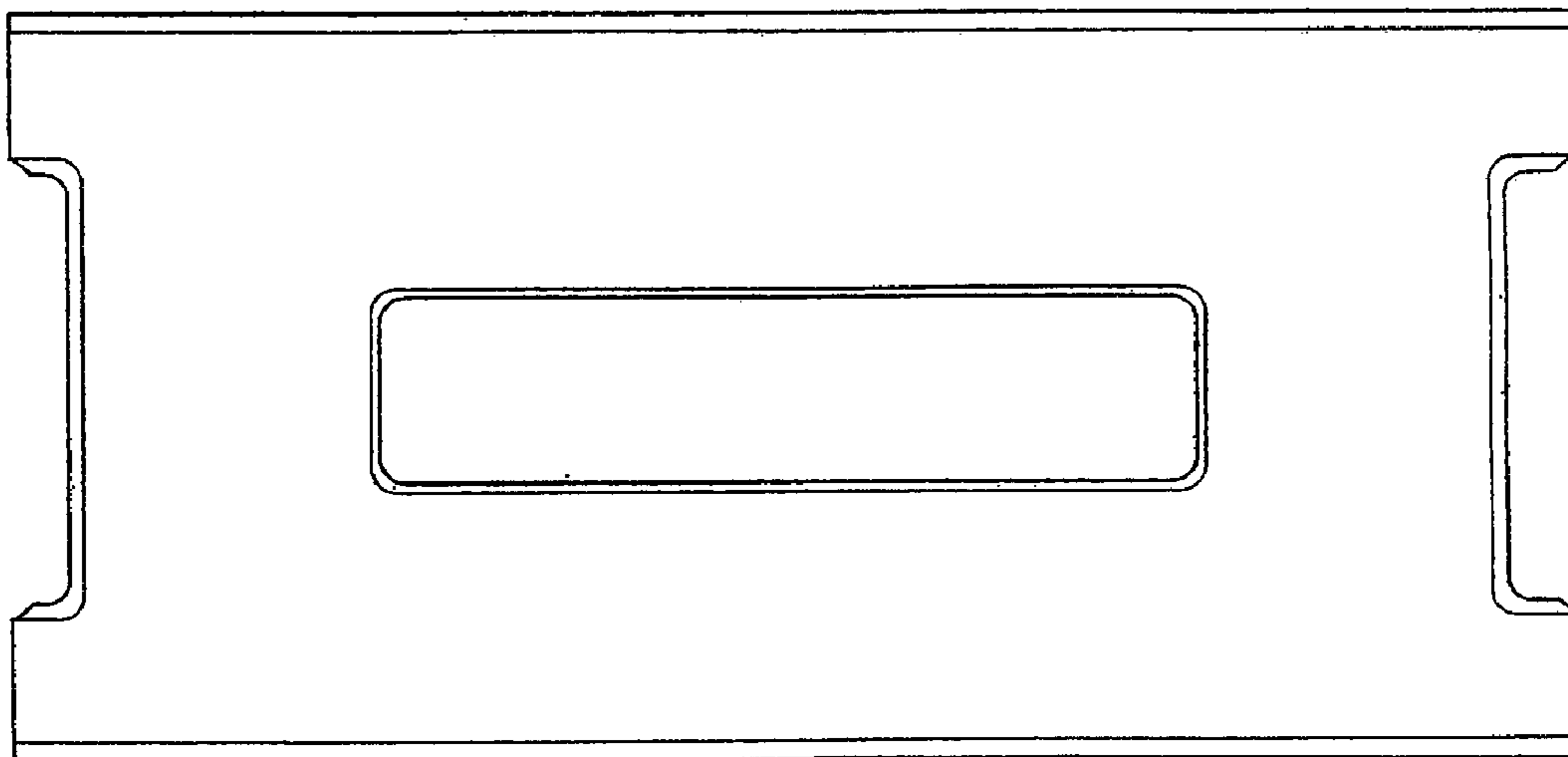


FIG. 7

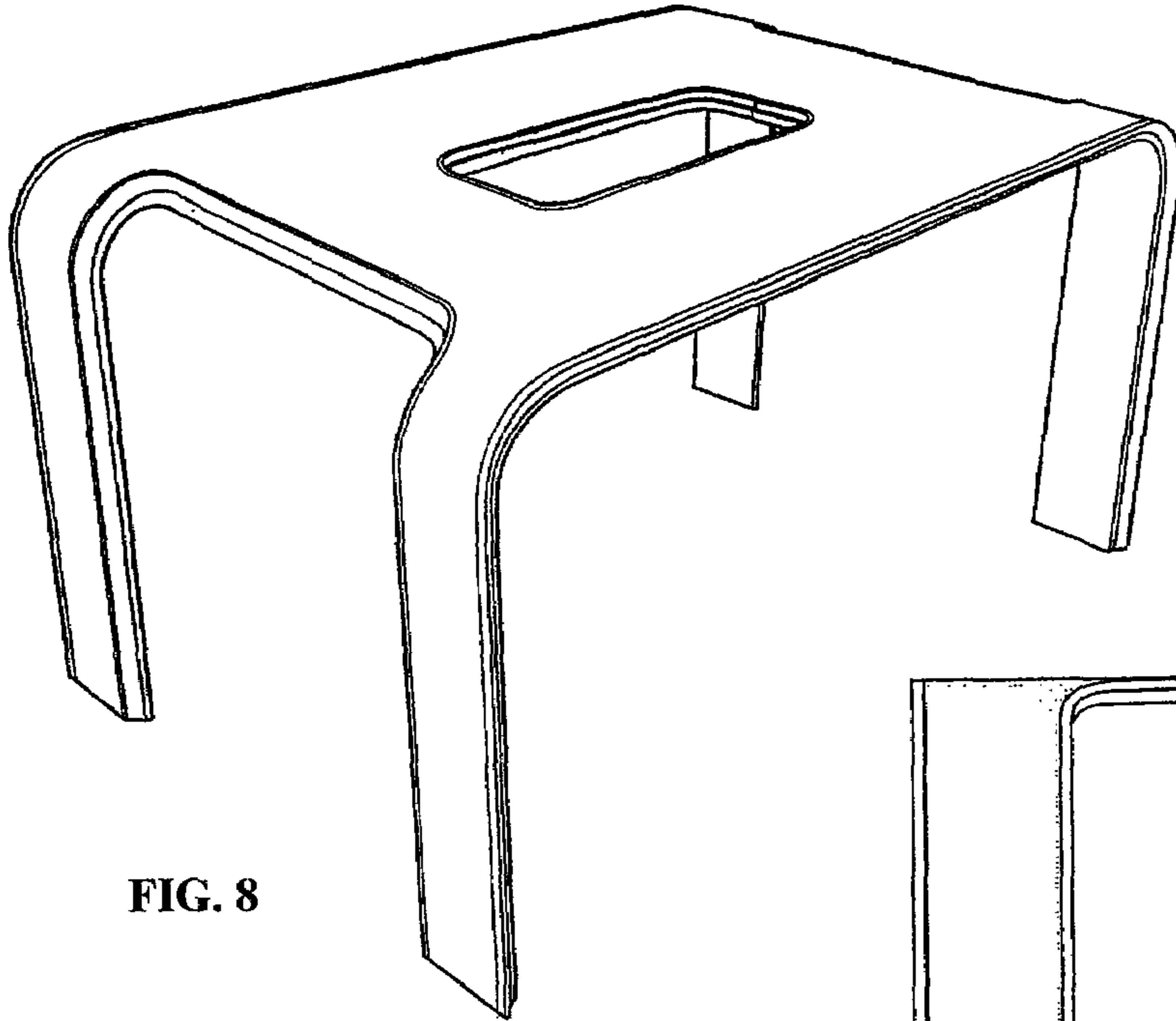


FIG. 8

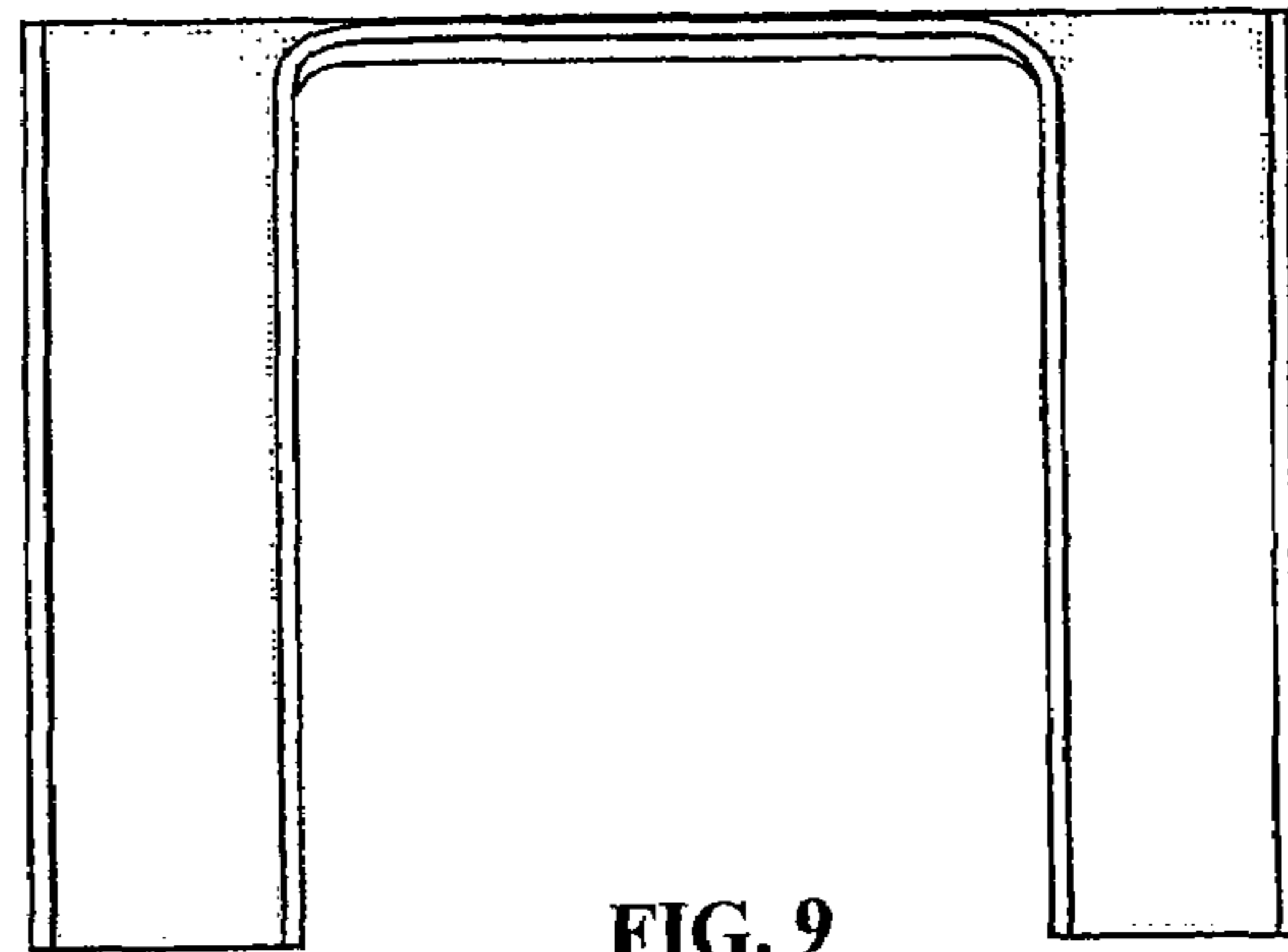


FIG. 9

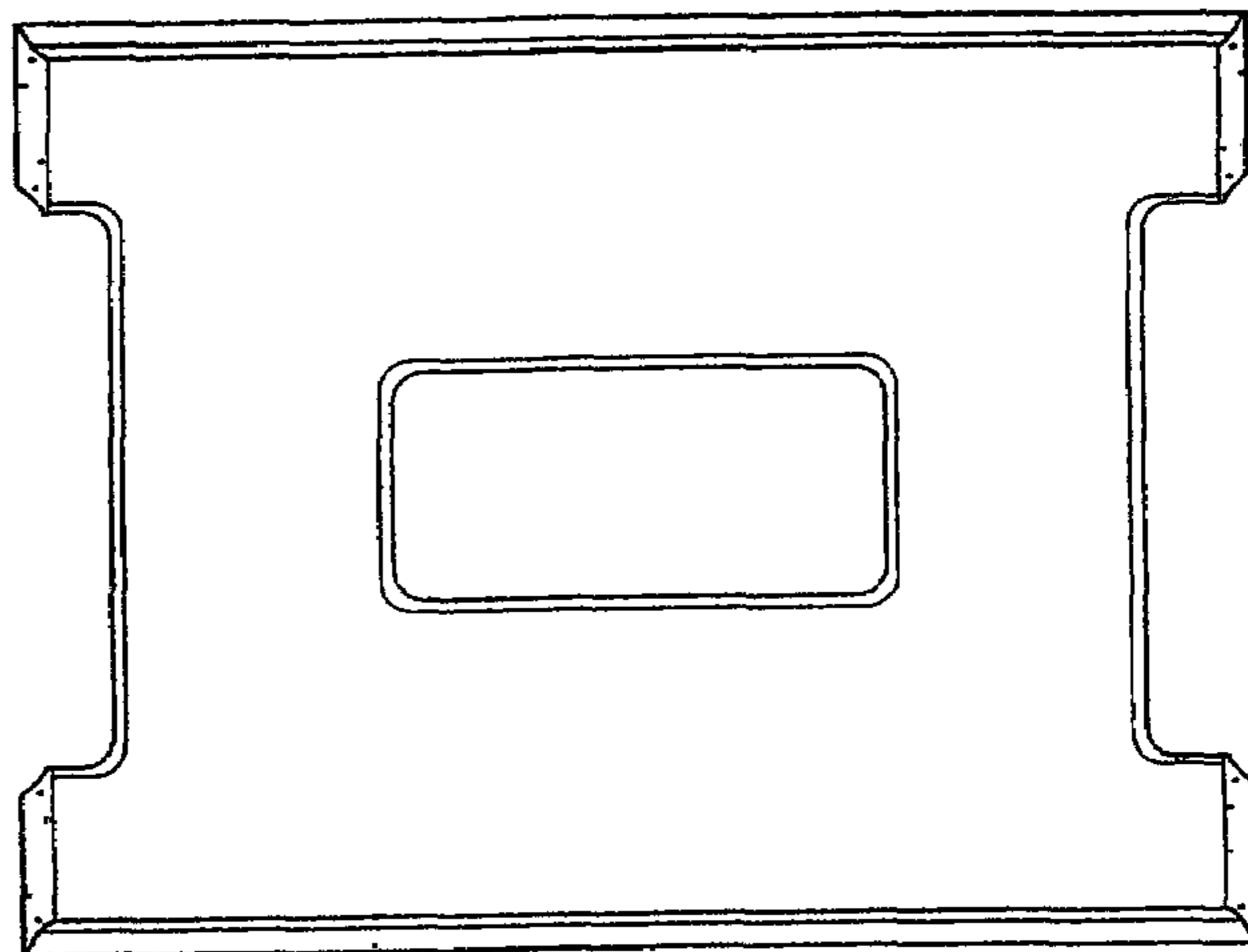


FIG. 13

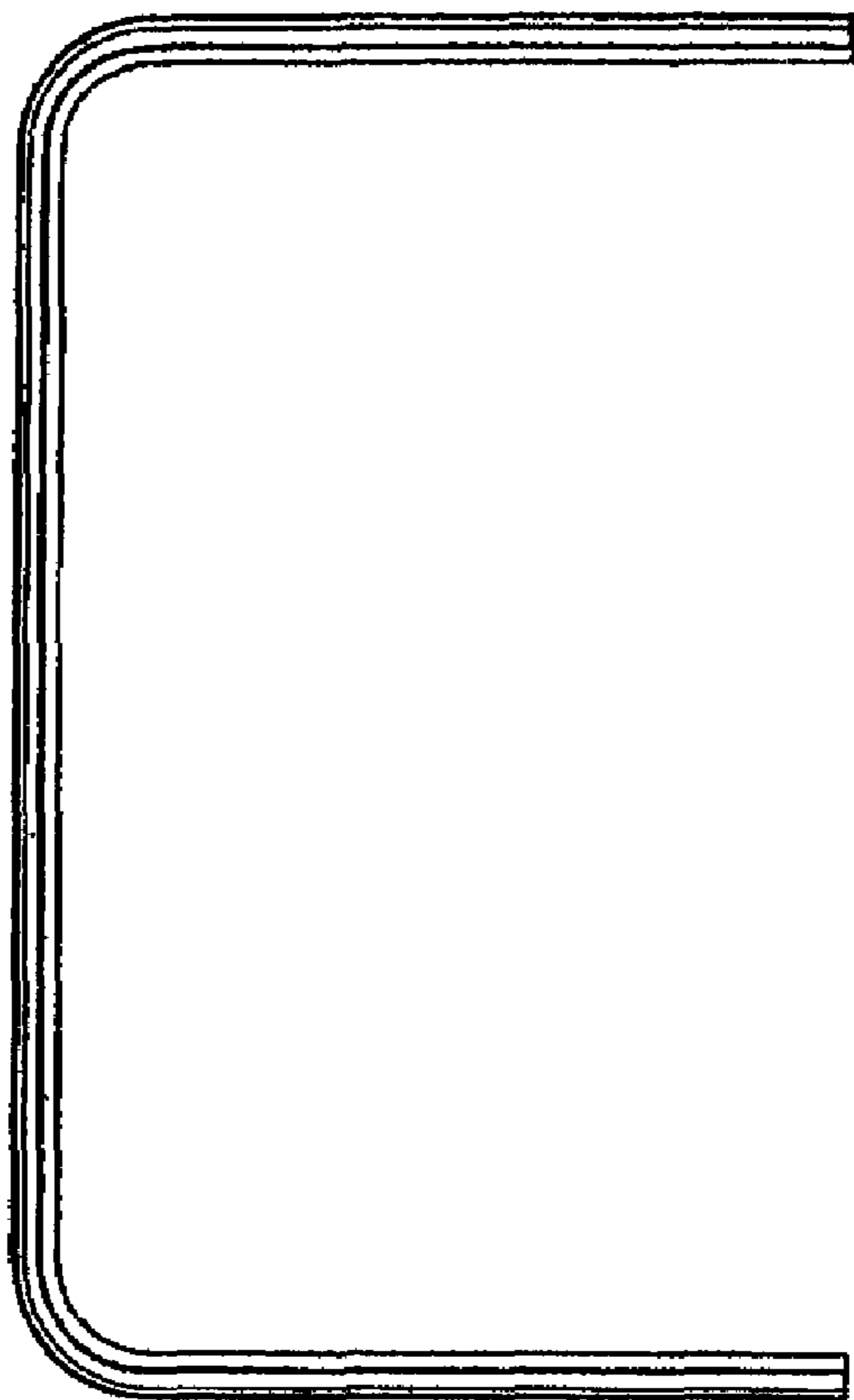


FIG. 10

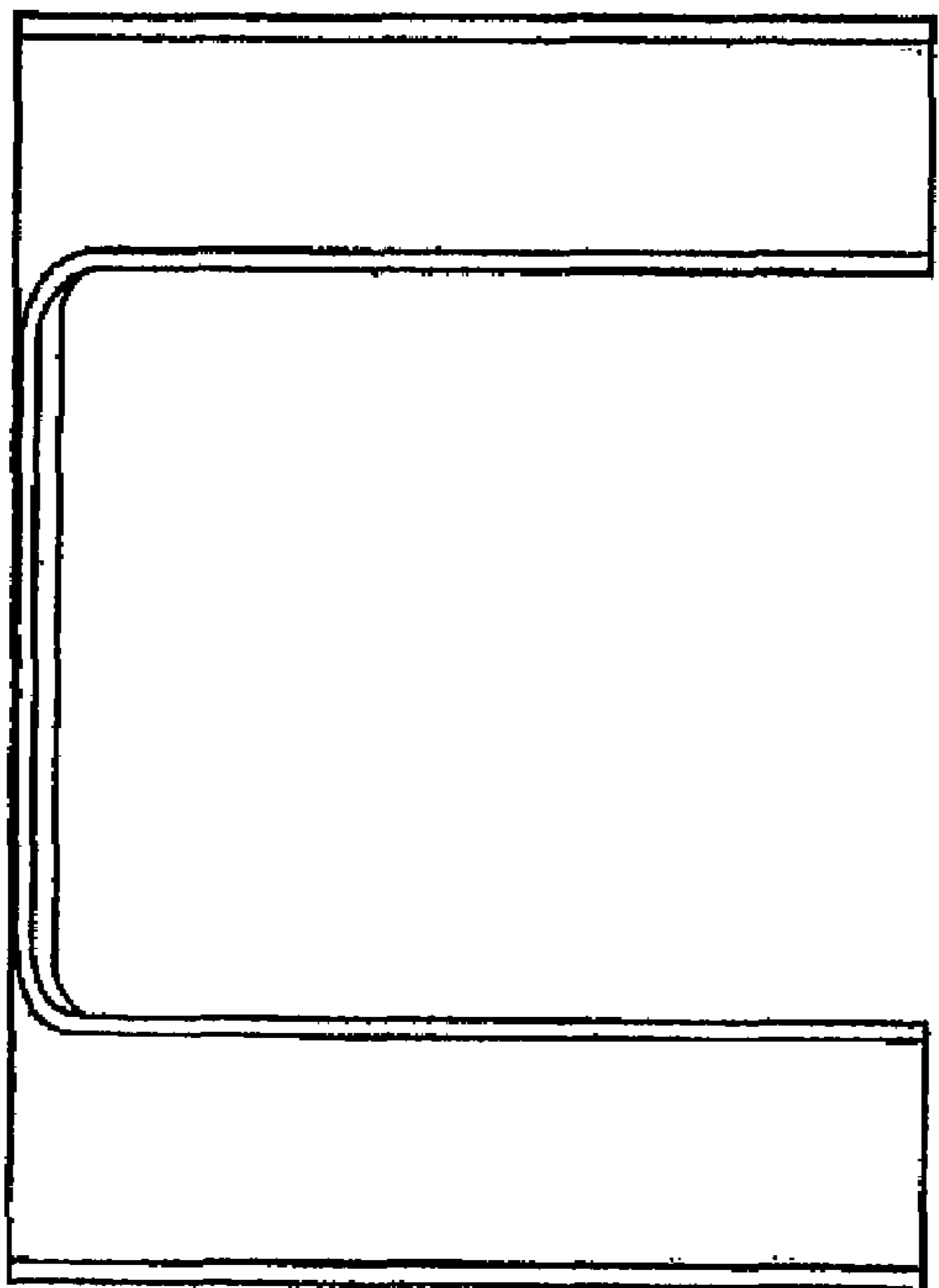


FIG. 12

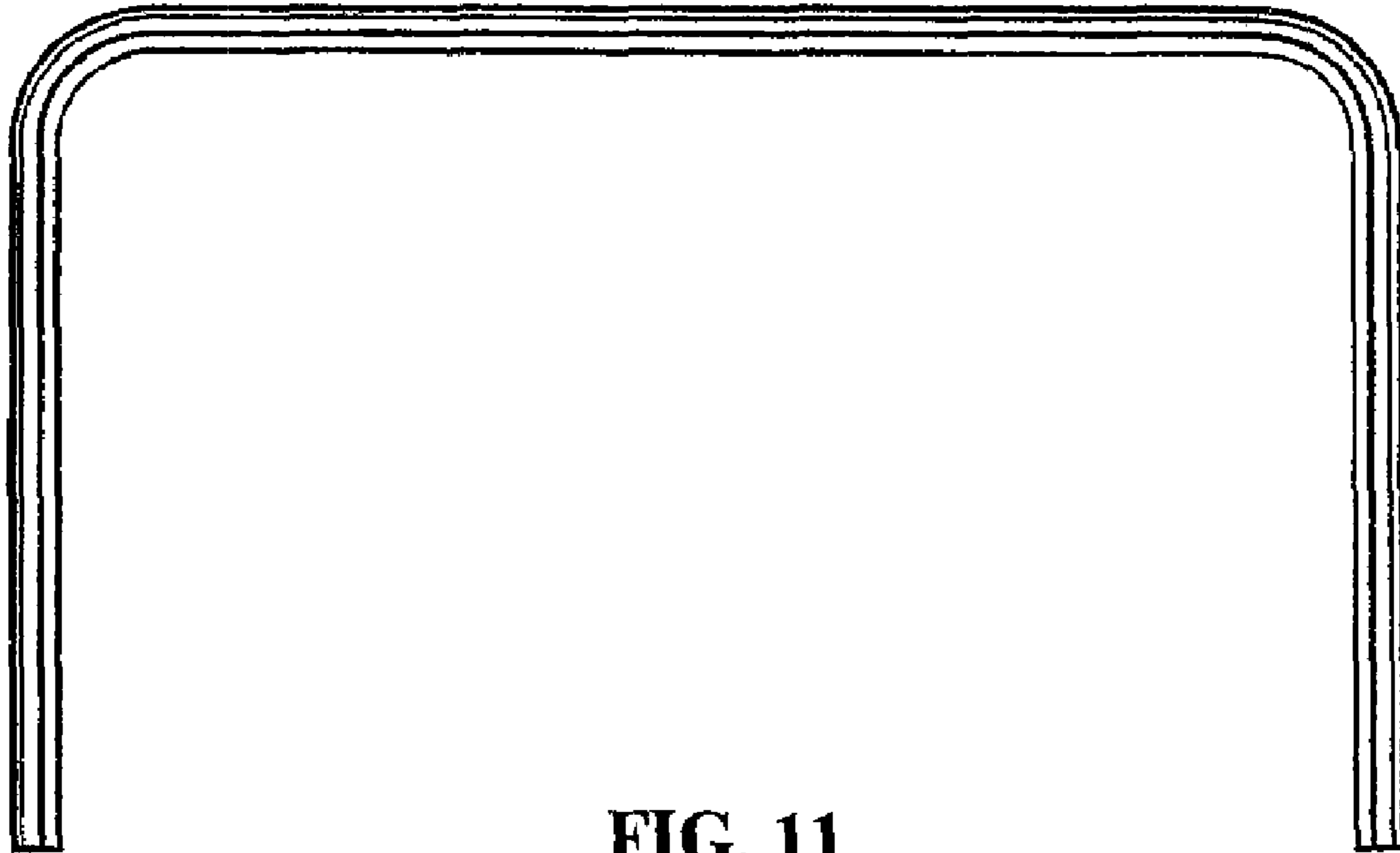


FIG. 11

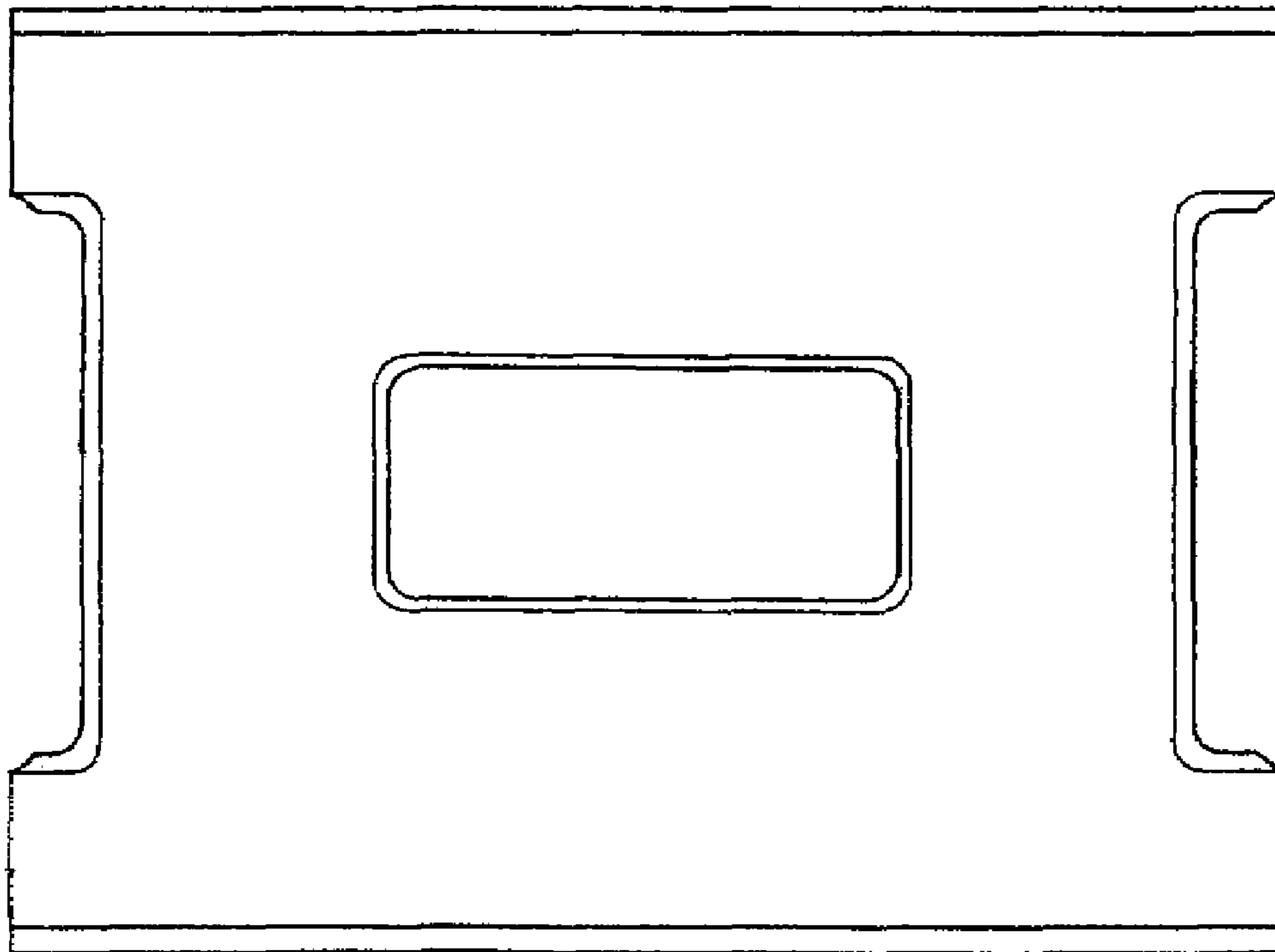


FIG. 14