



US00D589279S

(12) **United States Design Patent**
Stukenberg

(10) **Patent No.:** **US D589,279 S**
(45) **Date of Patent:** **** Mar. 31, 2009**

(54) **DISPLAY FIXTURE**

(75) Inventor: **Joseph Rey Stukenberg**, Minneapolis, MN (US)

(73) Assignee: **Target Brands. Inc.**, Minneapolis, MN (US)

(**) Term: **14 Years**

(21) Appl. No.: **29/280,447**

(22) Filed: **May 29, 2007**

(51) **LOC (9) Cl.** **06-04**

(52) **U.S. Cl.** **D6/466**

(58) **Field of Classification Search** D6/396,
D6/336, 384, 451, 475-476, 492, 509, 511,
D6/480-489; 108/559, 137, 107-108; 211/162,
211/194, 206, 134, 87.01, 187-189, 195,
211/90.01, 103

See application file for complete search history.

(56) **References Cited**

U.S. PATENT DOCUMENTS

3,799,357 A 3/1974 Govang

(Continued)

Primary Examiner—Caron Veynar

Assistant Examiner—Kelley A Donnelly

(74) *Attorney, Agent, or Firm*—Griffiths & Seaton PLLC

(57) **CLAIM**

The ornamental design for a display fixture, as shown and described.

DESCRIPTION

FIG. 1 is a front perspective view of a first embodiment of a display fixture showing our new design;

FIG. 2 is a rear perspective view thereof;

FIG. 3 is a front view thereof;

FIG. 4 is a right side view thereof, the left side view being a mirror image;

FIG. 5 is a rear view thereof;

FIG. 6 is a top view thereof;

FIG. 7 is a perspective view thereof in an installed environment; and

FIG. 8 is a perspective view thereof in an installed environment.

FIG. 9 is a front perspective view of a second embodiment of a display fixture showing our new design;

FIG. 10 is a rear perspective view thereof;

FIG. 11 is a front view thereof;

FIG. 12 is a right side view thereof, the left side view being a mirror image;

FIG. 13 is a rear view thereof;

FIG. 14 is a top view thereof;

FIG. 15 is a perspective view thereof in an installed environment; and

FIG. 16 is a perspective view thereof in an installed environment.

FIG. 17 is a front perspective view of the second embodiment of the display fixture of FIG. 9 including additional structure illustrated in broken lines;

FIG. 18 is a rear perspective view thereof;

FIG. 19 is a front view thereof;

FIG. 20 is a right side view thereof, the left side view being a mirror image;

FIG. 21 is a rear view thereof;

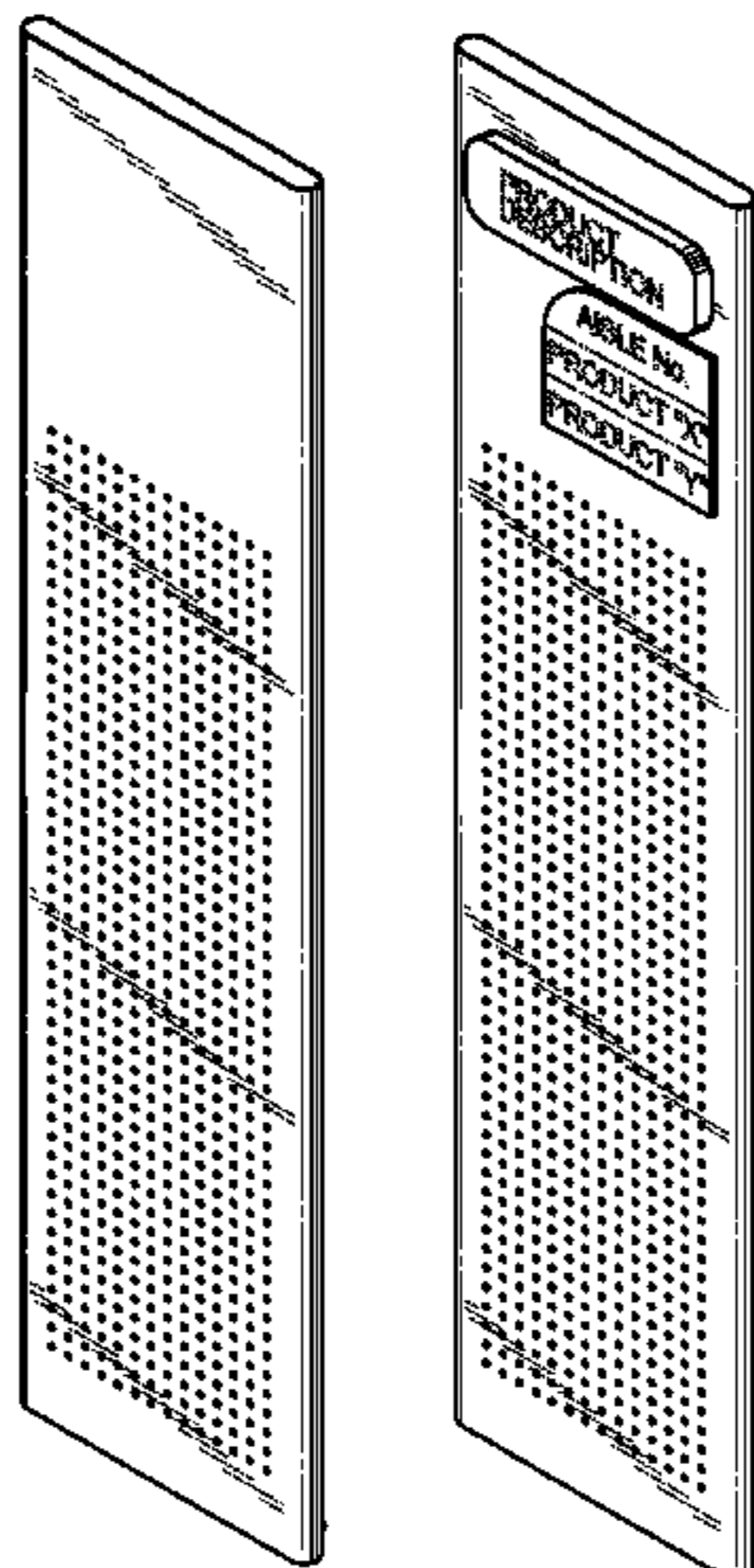
FIG. 22 is a top view thereof;

FIG. 23 is a perspective view thereof in an installed environment; and,

FIG. 24 is a perspective view thereof in an installed environment.

The broken lines shown in the figures are for illustrative purposes only and form no part of the claimed design.

1 Claim, 12 Drawing Sheets



US D589,279 S

Page 2

U.S. PATENT DOCUMENTS

| | | | | | | | |
|--------------|------|---------|-----------------|-------|----------|--|--|
| 3,827,569 | A | 8/1974 | Canning | | | | |
| RE29,002 | E | 10/1976 | Govang | | | | |
| 4,115,937 | A * | 9/1978 | Wolpert | | 434/395 | | |
| 4,179,831 | A | 12/1979 | Cook | | | | |
| 4,245,414 | A | 1/1981 | Shypula | | | | |
| 4,378,884 | A | 4/1983 | Anderson | | | | |
| D284,245 | S * | 6/1986 | Santner | | D6/491 | | |
| D286,719 | S * | 11/1986 | Ferdinand | | D6/511 | | |
| D286,829 | S * | 11/1986 | Yeranossian | | D6/396 | | |
| 4,788,784 | A | 12/1988 | Templin | | | | |
| 4,809,855 | A | 3/1989 | Bustos | | | | |
| D337,674 | S * | 7/1993 | Ozawa | | D6/475 | | |
| 5,255,803 | A * | 10/1993 | Pavone et al. | | 211/189 | | |
| 5,607,070 | A * | 3/1997 | Hellyer | | 211/189 | | |
| 5,785,187 | A | 7/1998 | Lipman et al. | | | | |
| 5,797,755 | A | 8/1998 | Montgomery | | | | |
| D397,562 | S * | 9/1998 | DePottay et al. | | D6/468 | | |
| D405,616 | S * | 2/1999 | Hellwig et al. | | D6/332 | | |
| D419,799 | S * | 2/2000 | King et al. | | D6/494 | | |
| 6,161,708 | A | 12/2000 | Myler | | | | |
| D445,273 | S * | 7/2001 | Brown et al. | | D6/396 | | |
| 6,473,984 | B1 | 11/2002 | Splain et al. | | | | |
| 6,575,314 | B2 | 6/2003 | Lung et al. | | | | |
| D493,640 | S * | 8/2004 | Nemec et al. | | D6/494 | | |
| D511,258 | S * | 11/2005 | Sandy | | D6/494 | | |
| 7,044,617 | B2 * | 5/2006 | Maxwell et al. | | 362/145 | | |
| 7,121,416 | B2 | 10/2006 | Shea | | | | |
| D544,730 | S * | 6/2007 | Stukenberg | | D6/492 | | |
| D548,026 | S * | 8/2007 | Whiteman | | D7/701 | | |
| D552,358 | S * | 10/2007 | Mischel et al. | | D6/300 | | |
| D564,793 | S * | 3/2008 | Shea | | D6/457 | | |
| D577,508 | S * | 9/2008 | Derocher et al. | | D6/407 | | |
| 7,448,534 | B2 * | 11/2008 | Raub | | 280/79.3 | | |
| 2006/0201893 | A1 * | 9/2006 | Lyons et al. | | 211/1.56 | | |
| 2006/0213853 | A1 * | 9/2006 | Schluter et al. | | 211/189 | | |
| 2007/0175846 | A1 * | 8/2007 | Konstant | | 211/189 | | |

* cited by examiner

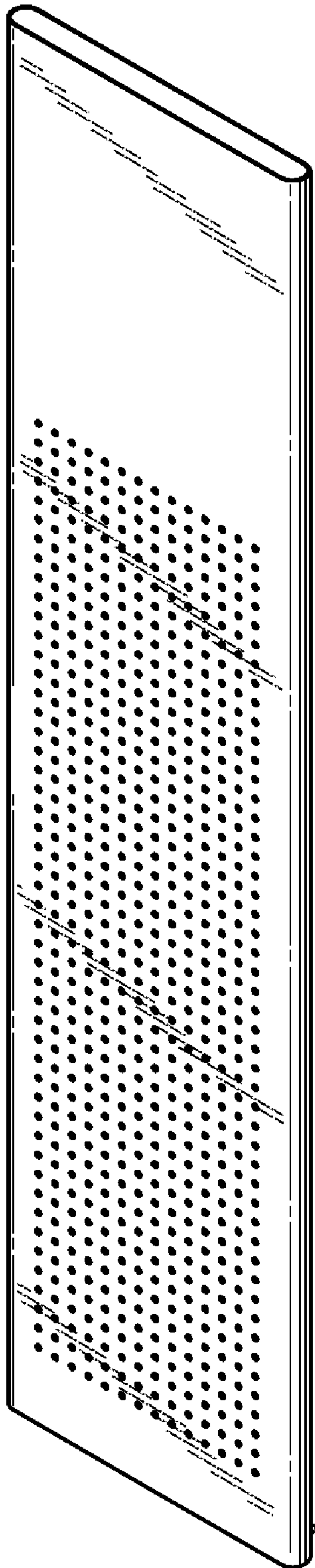


Fig. 1

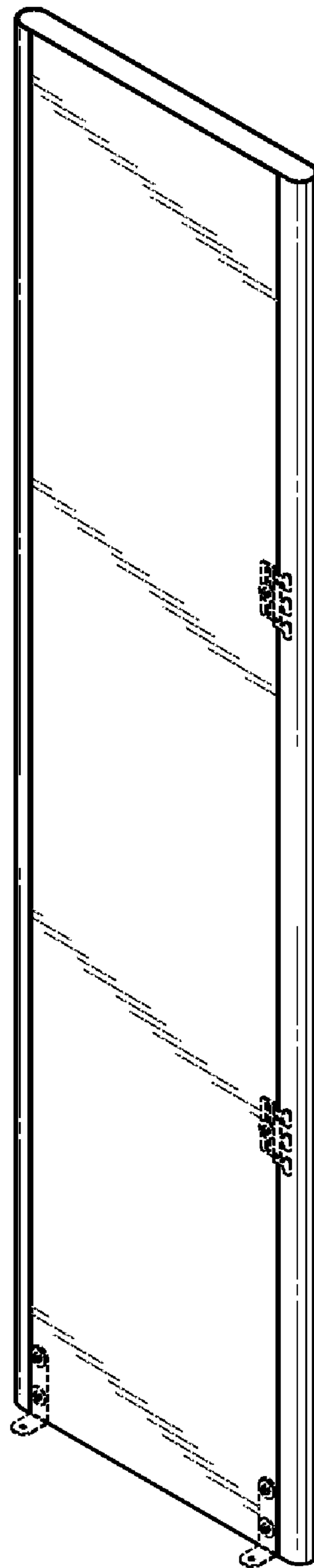


Fig. 2

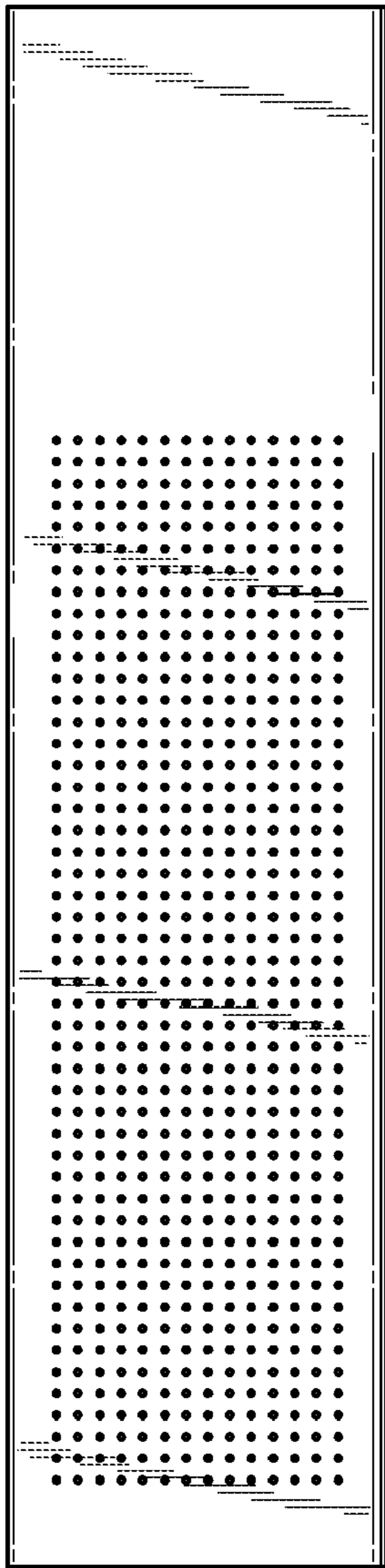


Fig. 3



Fig. 4

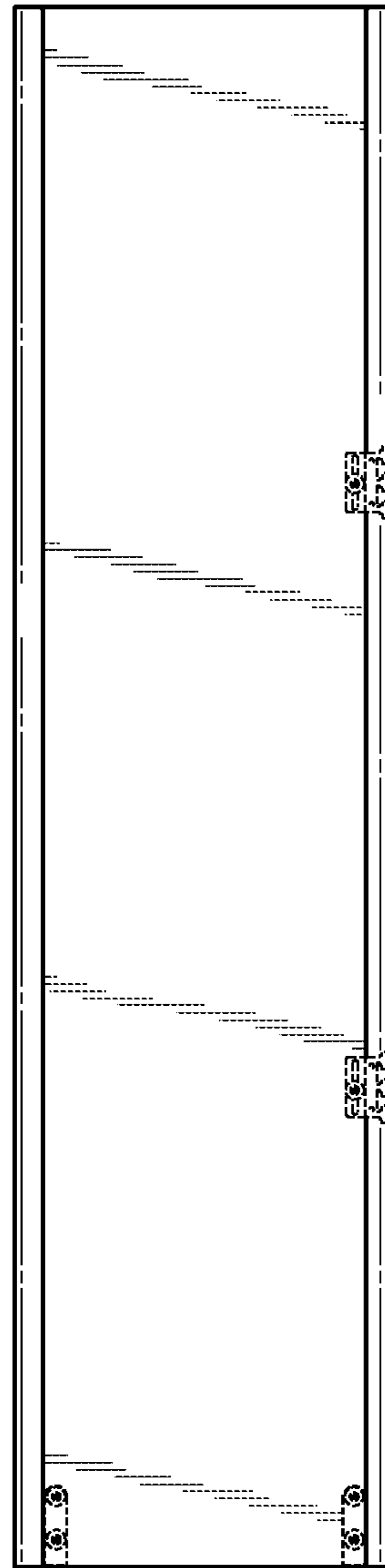


Fig. 5



Fig. 6

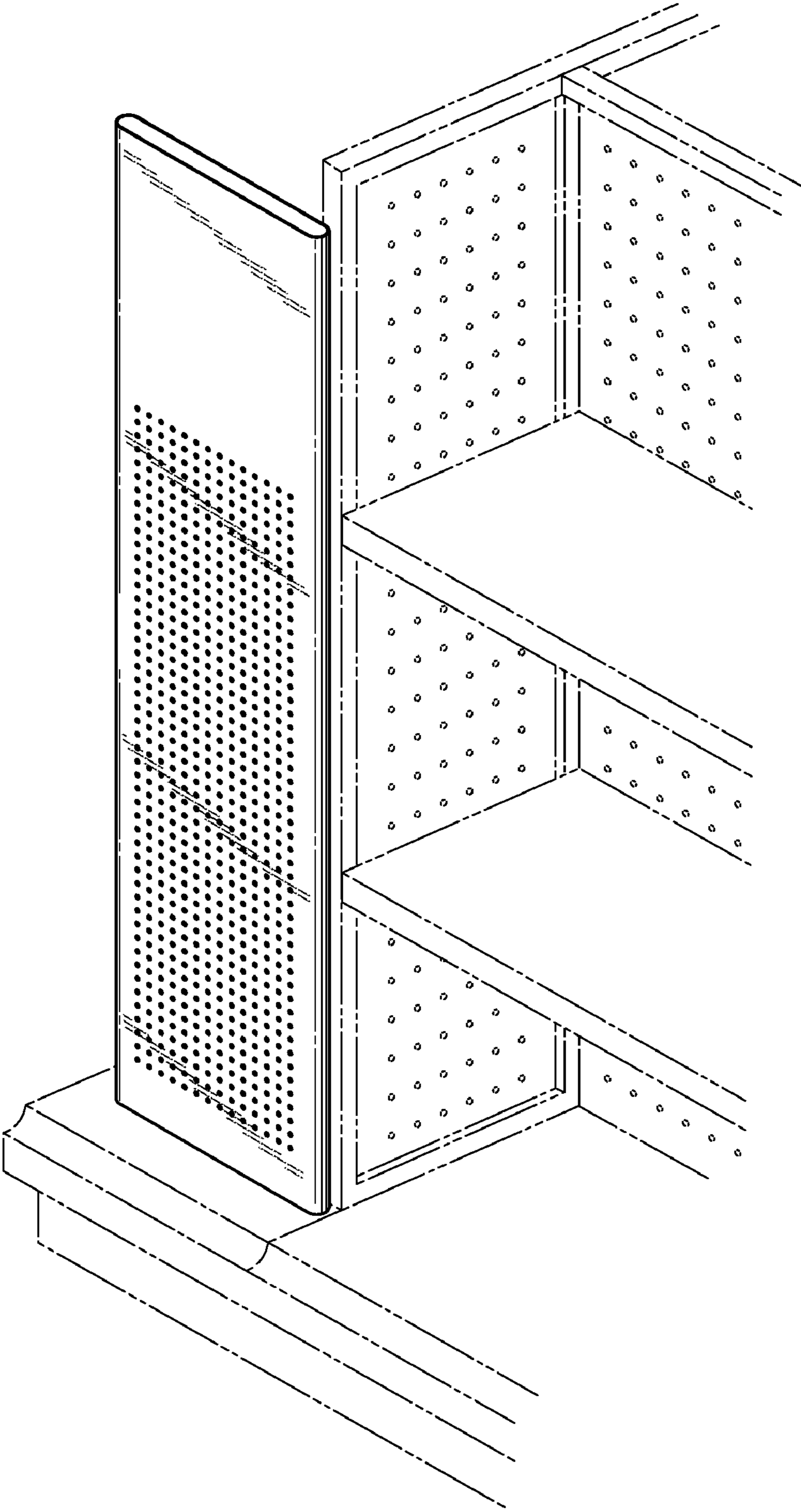


Fig. 7

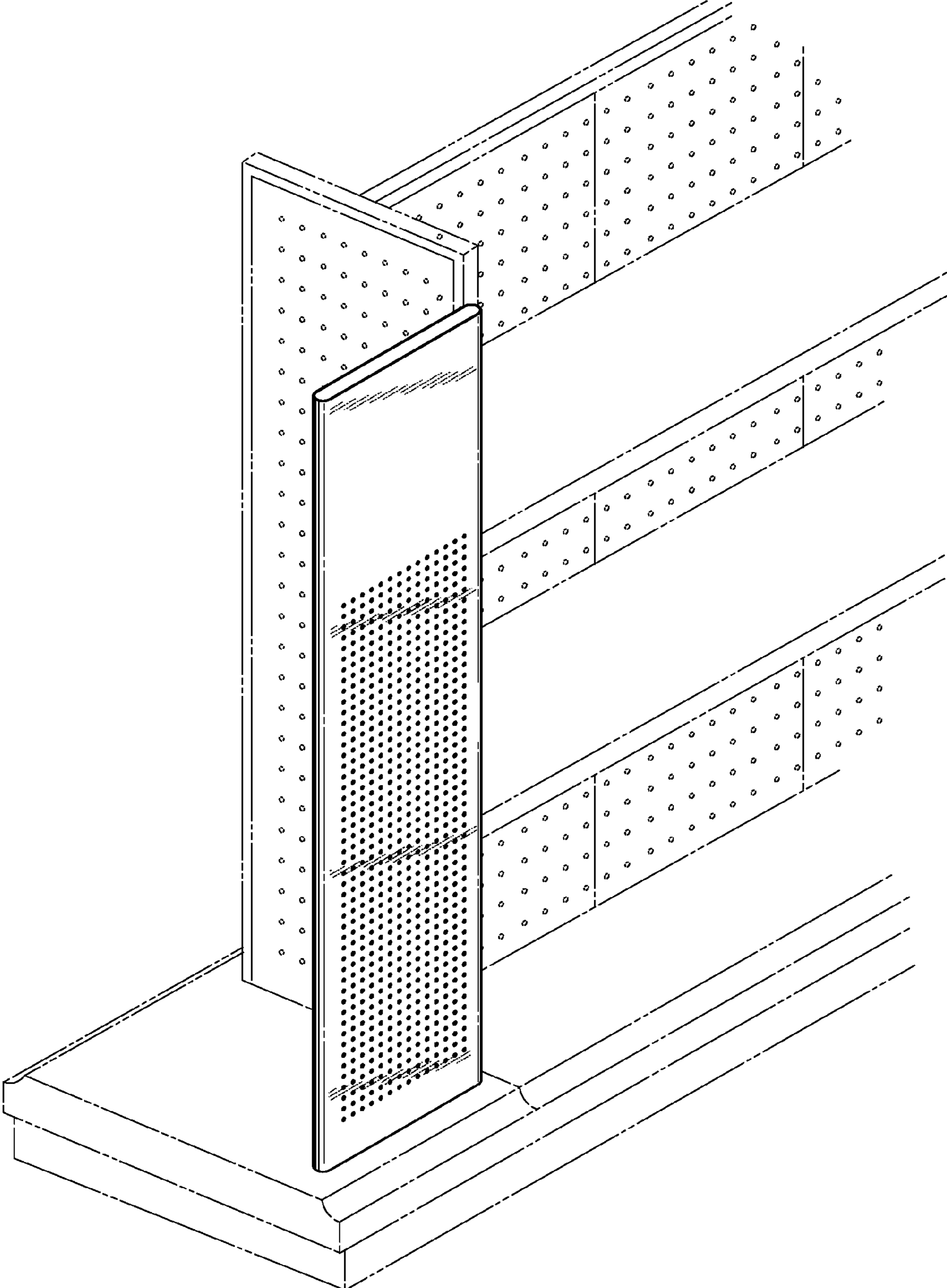


Fig. 8

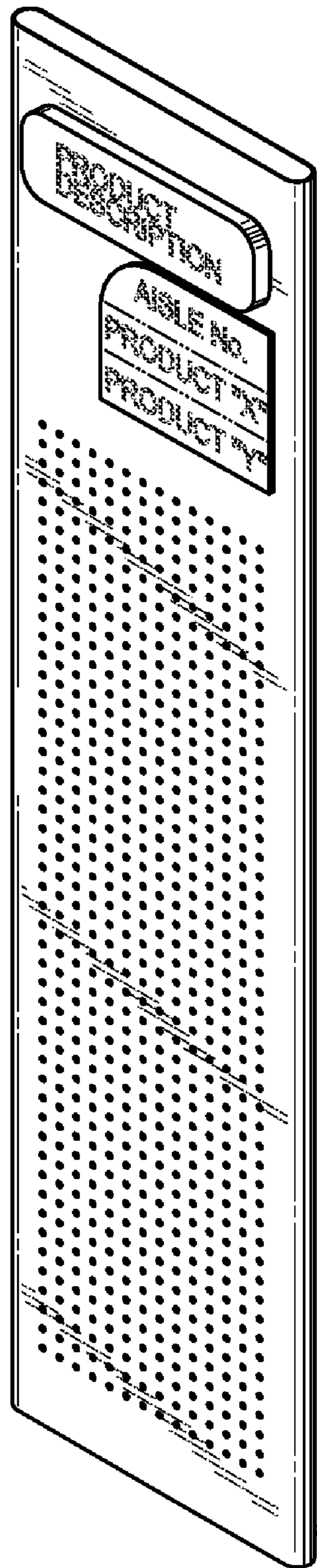


Fig. 9

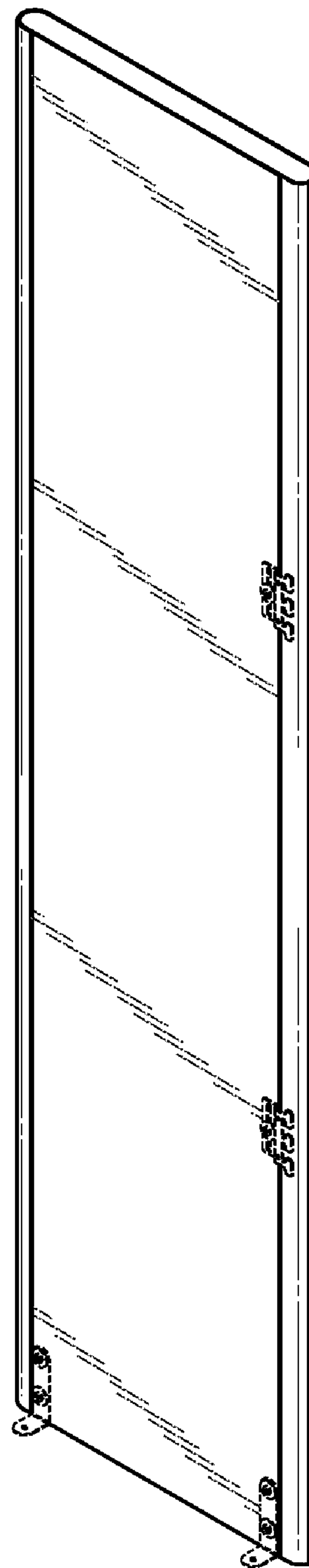


Fig. 10

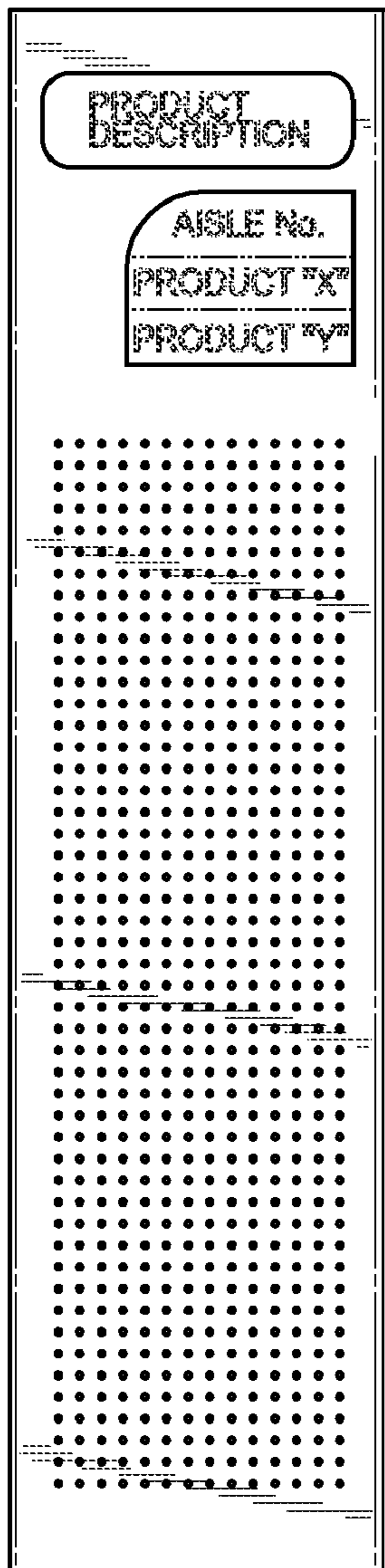


Fig. 11

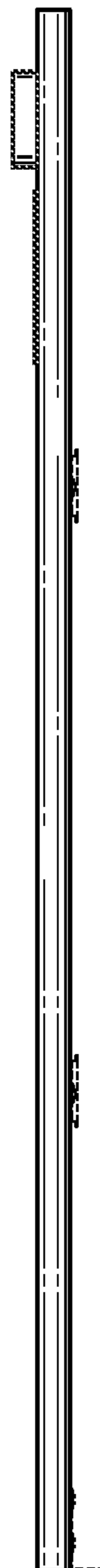


Fig. 12

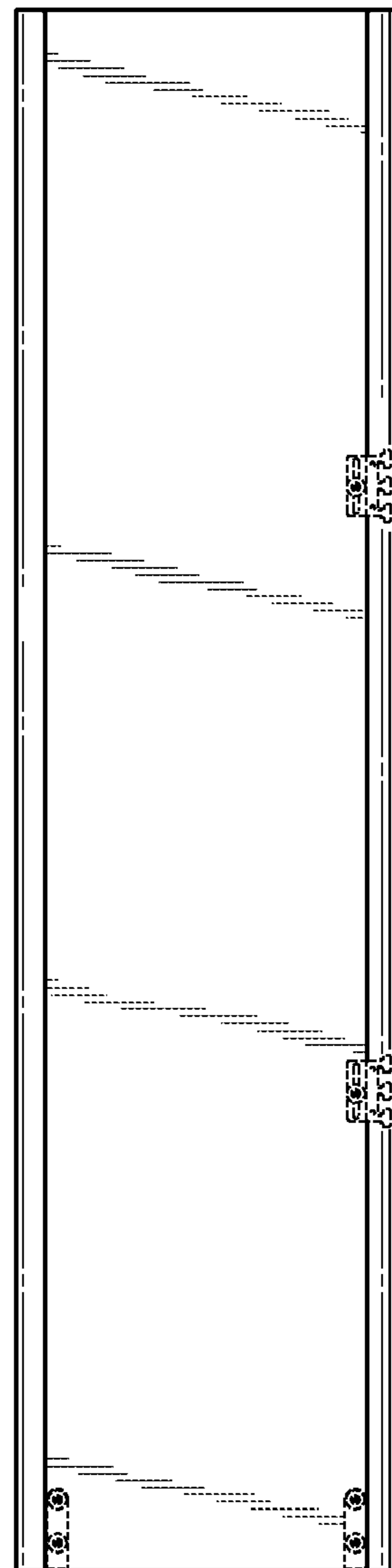


Fig. 13



Fig. 14

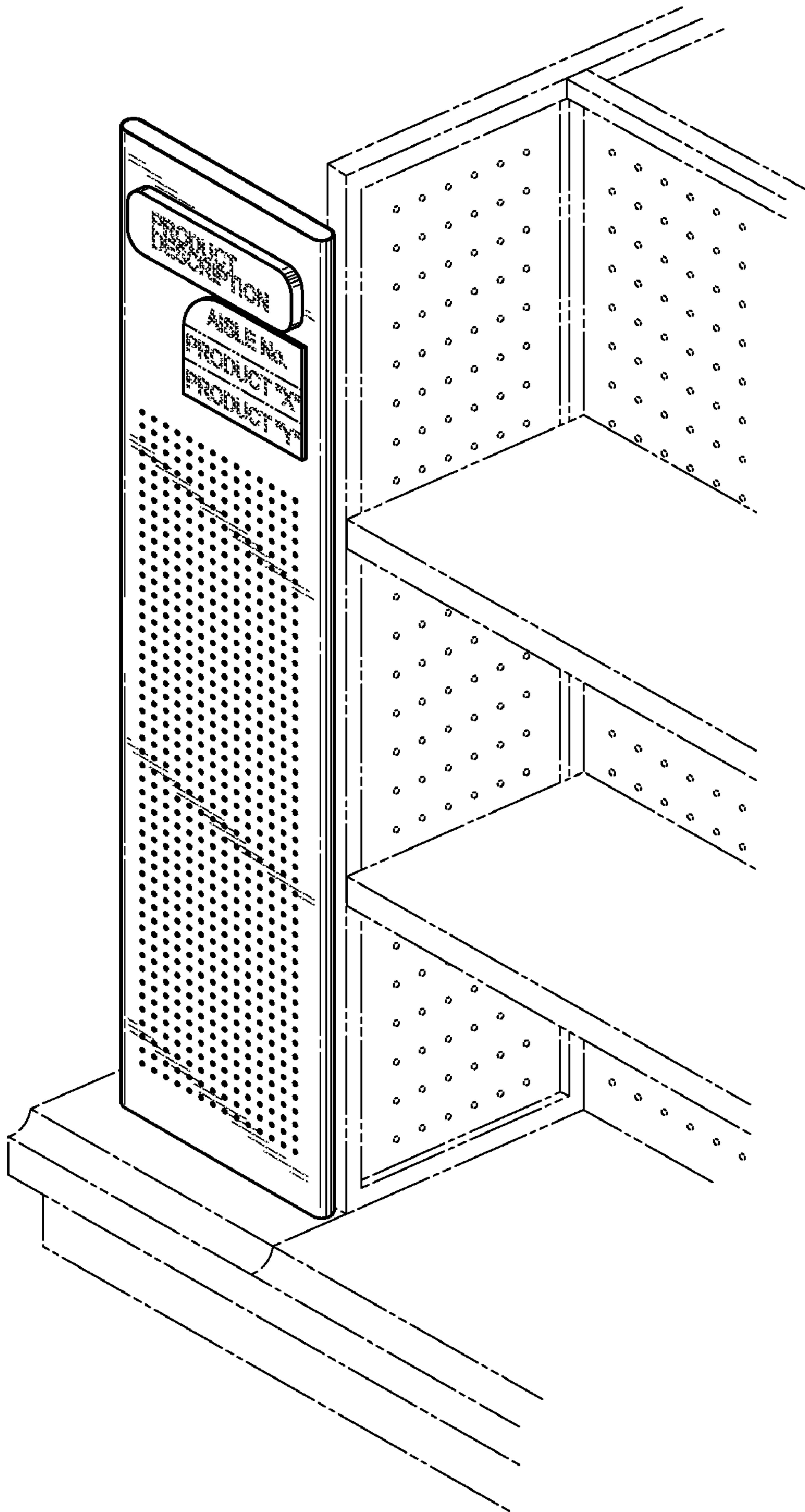


Fig. 15

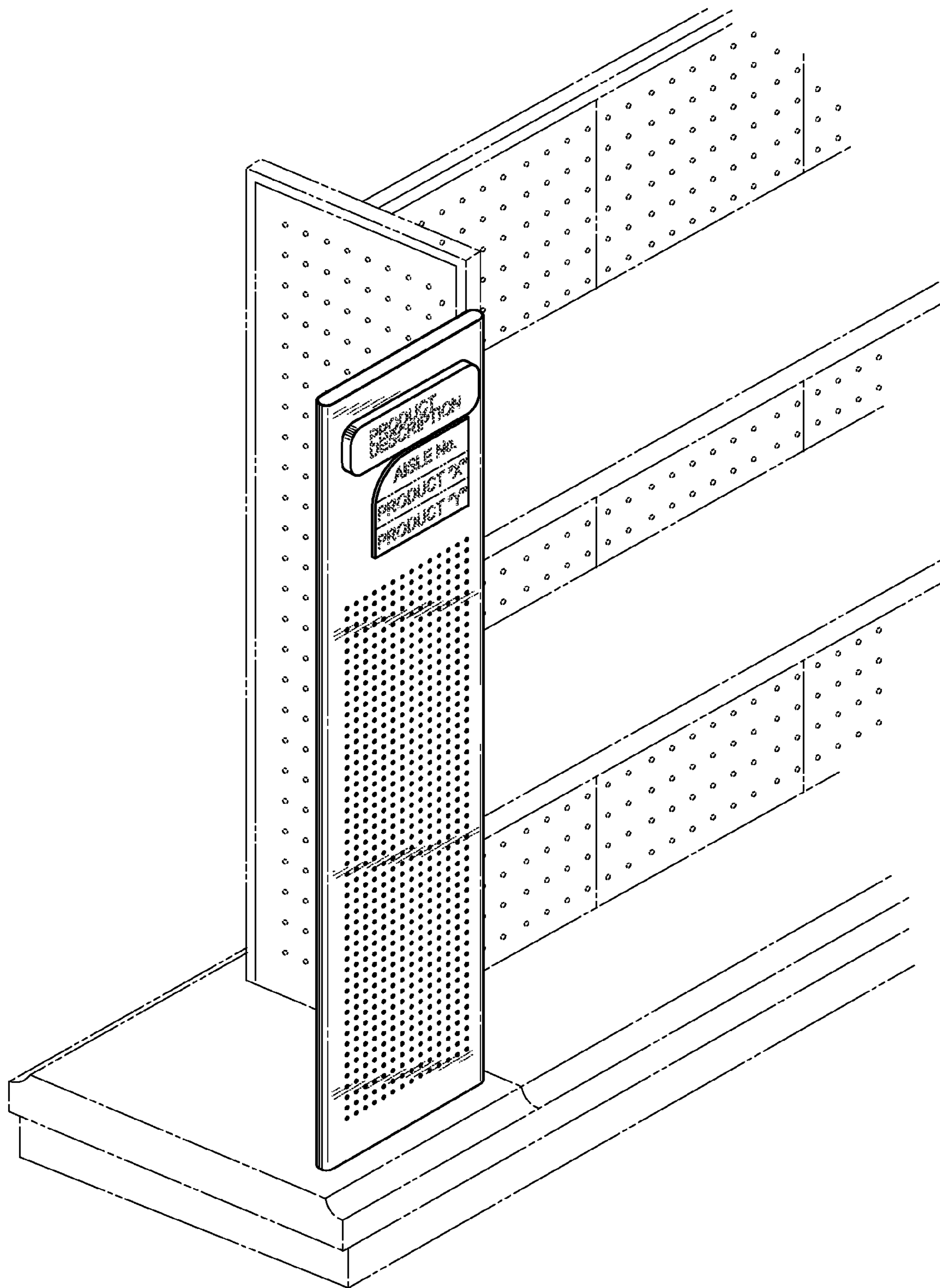


Fig. 16

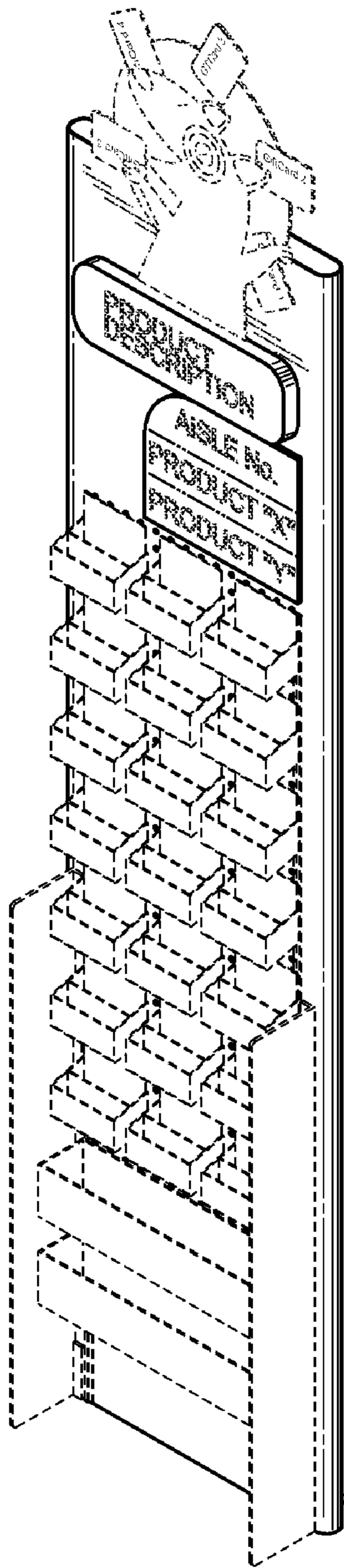


Fig. 17

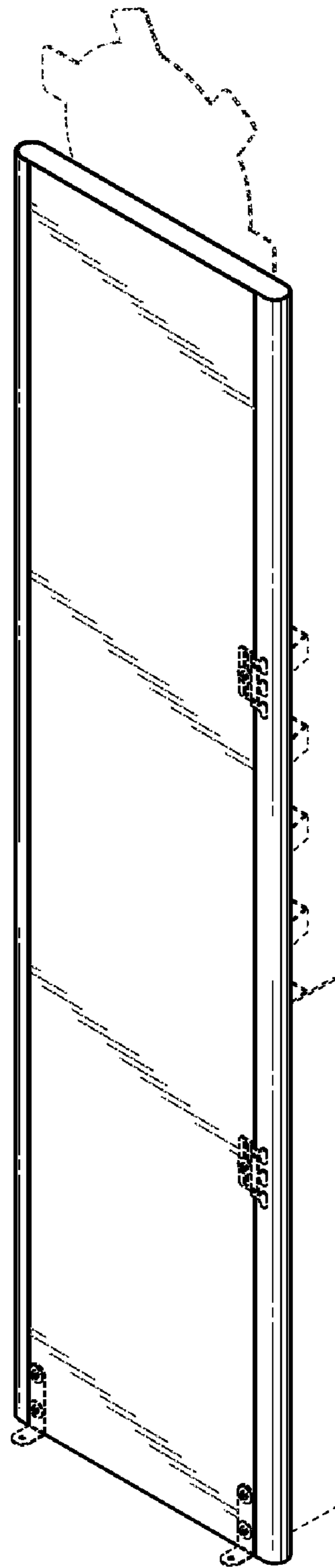


Fig. 18

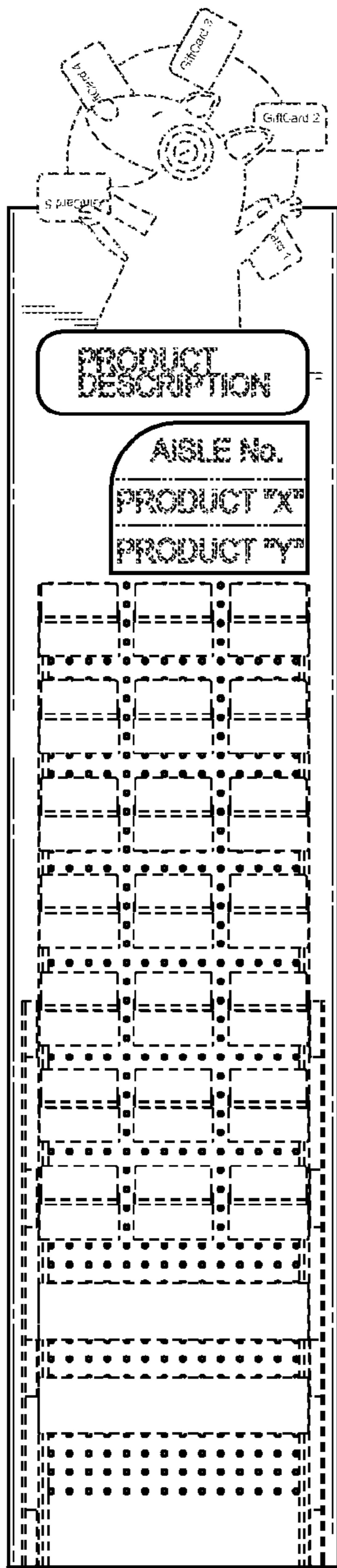


Fig. 19

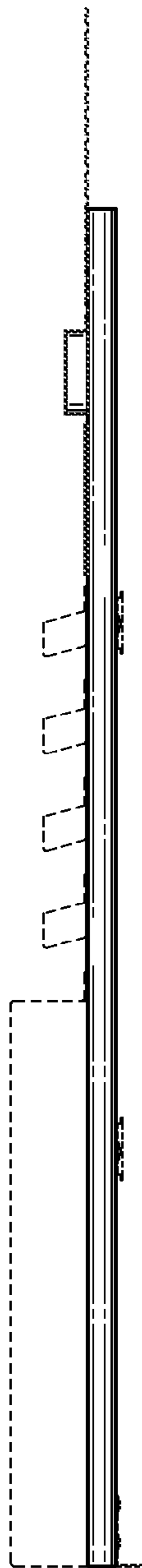


Fig. 20

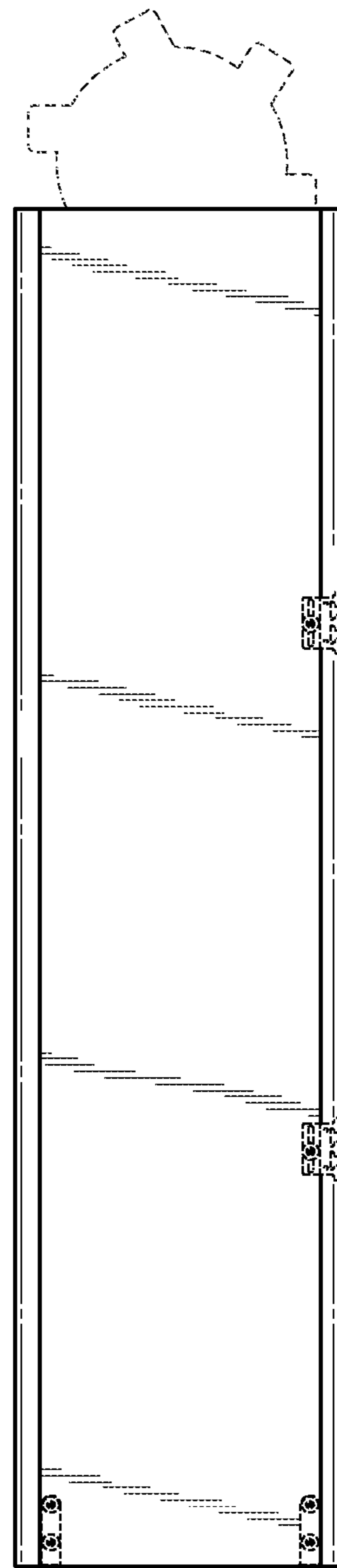


Fig. 21

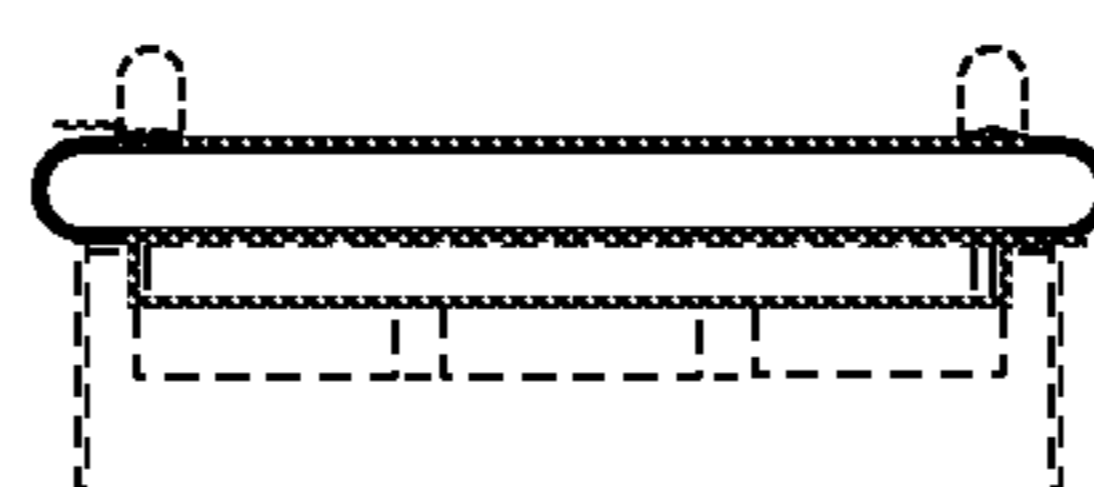


Fig. 22

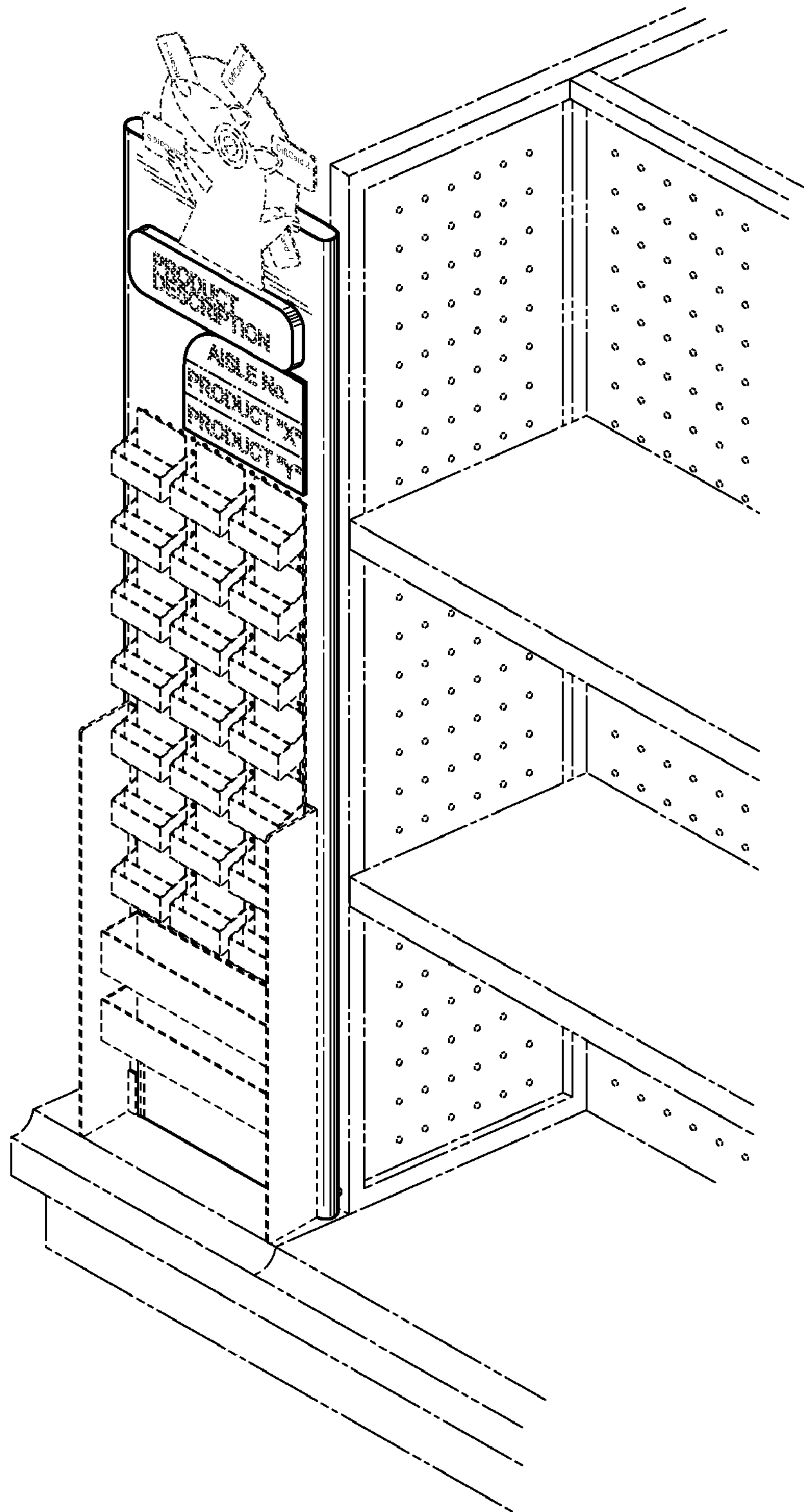


Fig. 23

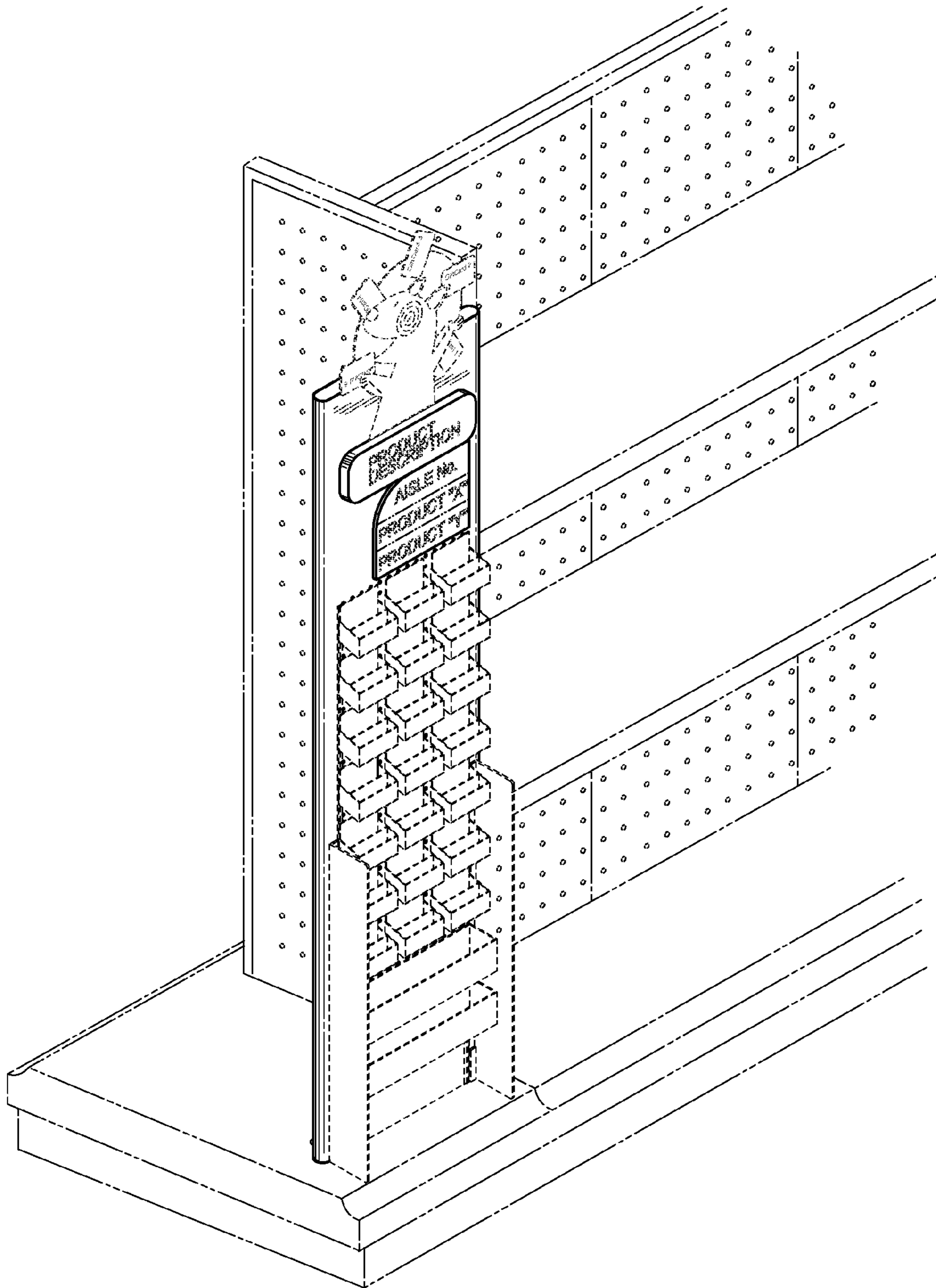


Fig. 24