



US00D589278S

(12) **United States Design Patent**
Shaha et al.

(10) **Patent No.:** **US D589,278 S**
(45) **Date of Patent:** **** Mar. 31, 2009**

(54) **HOLDER**

(75) Inventors: **Kevin Bruce Shaha**, Dover, ID (US);
Robert W. Sheldon, Winnetka, IL (US);
Gregory J. Foster, Chicago, IL (US);
Ronald M. Llanes, Lisle, IL (US)

(73) Assignee: **Illinois Tool Works Inc.**, Glenview, IL (US)

(**) Term: **14 Years**

(21) Appl. No.: **29/305,218**

(22) Filed: **Mar. 14, 2008**

(51) **LOC (9) Cl.** **06-04**

(52) **U.S. Cl.** **D6/458**

(58) **Field of Classification Search** D6/458,
D6/462, 467, 457, 466; 211/13.1, 87.01,
211/94.01, 106, 88.01, 90.03, 70.6, 181.1,
211/90.01, 119.004; 248/302, 211, 215,
248/290.1; D8/370, 373, 367

See application file for complete search history.

(56) **References Cited**

U.S. PATENT DOCUMENTS

D26,931 S *	4/1897	Taylor	D6/462
D187,700 S *	4/1960	Sobel	D6/462
4,693,381 A	9/1987	Lodge		
4,869,378 A *	9/1989	Miller	211/94.01
5,048,698 A	9/1991	Konrad		
5,337,987 A	8/1994	Sawatsky		
5,379,976 A	1/1995	DeGirolamo		
5,429,252 A	7/1995	Liu		
5,775,521 A	7/1998	Tisbo		
5,960,967 A	10/1999	Neil		
6,050,426 A	4/2000	Leurdijk		
6,119,878 A	9/2000	Zen		
6,152,312 A	11/2000	Nava et al.		
6,196,509 B1 *	3/2001	Clemens	248/302
6,216,888 B1 *	4/2001	Chien	211/87.01
6,299,001 B1	10/2001	Frolov et al.		

6,412,647 B1 *	7/2002	Ko	211/106
6,499,608 B1	12/2002	Sterling et al.		
6,698,603 B2	3/2004	Lawson et al.		
7,014,052 B2	3/2006	Dettorre et al.		
7,118,001 B2 *	10/2006	Klein et al.	211/90.03
7,137,515 B1	11/2006	Lawson et al.		
7,147,115 B2	12/2006	Perkins et al.		
7,228,977 B2	6/2007	Perkins et al.		
D580,744 S *	11/2008	Shaha et al.	D8/367
D580,745 S *	11/2008	Shaha et al.	D8/367
2005/0236544 A1	10/2005	Mancino et al.		
2005/0247653 A1	11/2005	Brooks		
2006/0180561 A1	8/2006	Wisnoski et al.		
2008/0053931 A1 *	3/2008	Newbould et al.	211/88.01

* cited by examiner

Primary Examiner—Caron Veynar

Assistant Examiner—Sydney R Buffalow

(74) *Attorney, Agent, or Firm*—Mark W. Croll; Christopher P. Rauch; Beem Patent Law Firm

(57) **CLAIM**

The ornamental design for a holder, as shown and described.

DESCRIPTION

FIG. 1 is a front view of a holder showing our new design, in the environment of a wall mountable rail system.

FIG. 2 is a side view of the holder of FIG. 1, in the environment of the wall mountable rail system, the other side being a mirror image thereof.

FIG. 3 is a front view of the holder of FIG. 1.

FIG. 4 is a rear view of the holder of FIG. 1.

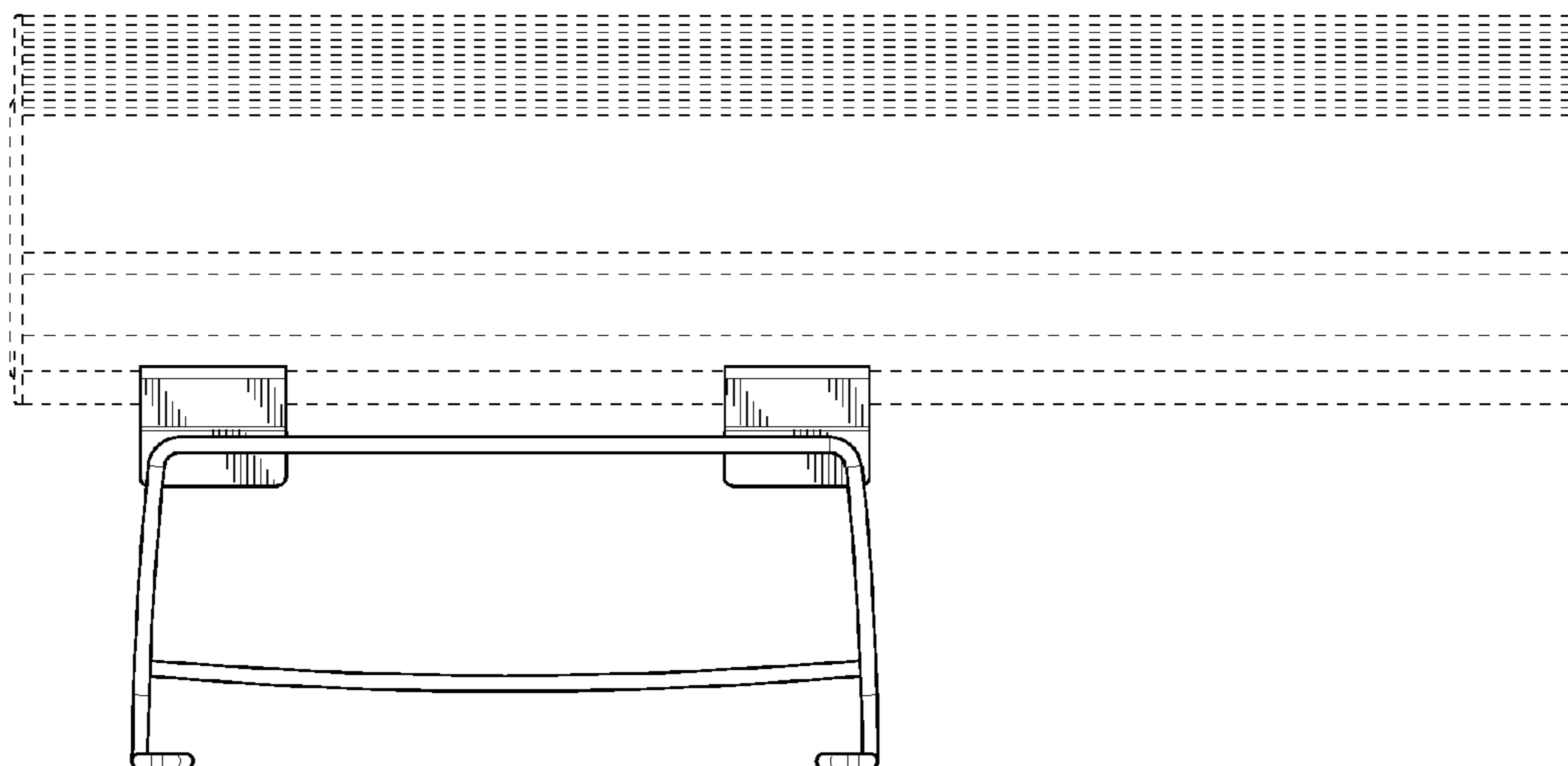
FIG. 5 is a side view of the holder of FIG. 1, the other side being a mirror image thereof.

FIG. 6 is a top view of the holder of FIG. 1; and,

FIG. 7 is a bottom view of the holder of FIG. 1.

The broken lines are for environmental purposes only and form no part of the claimed design.

1 Claim, 2 Drawing Sheets



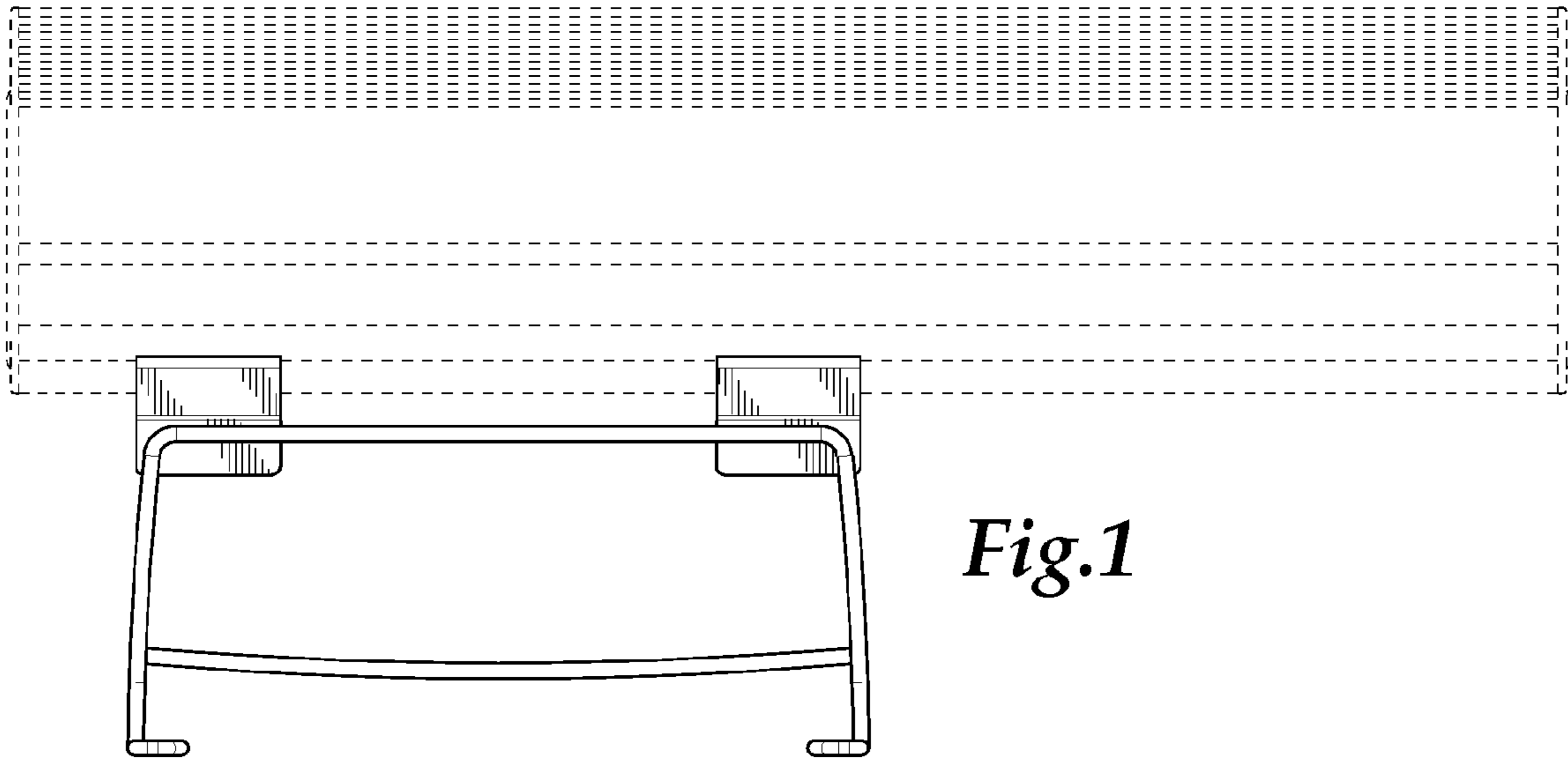


Fig.1

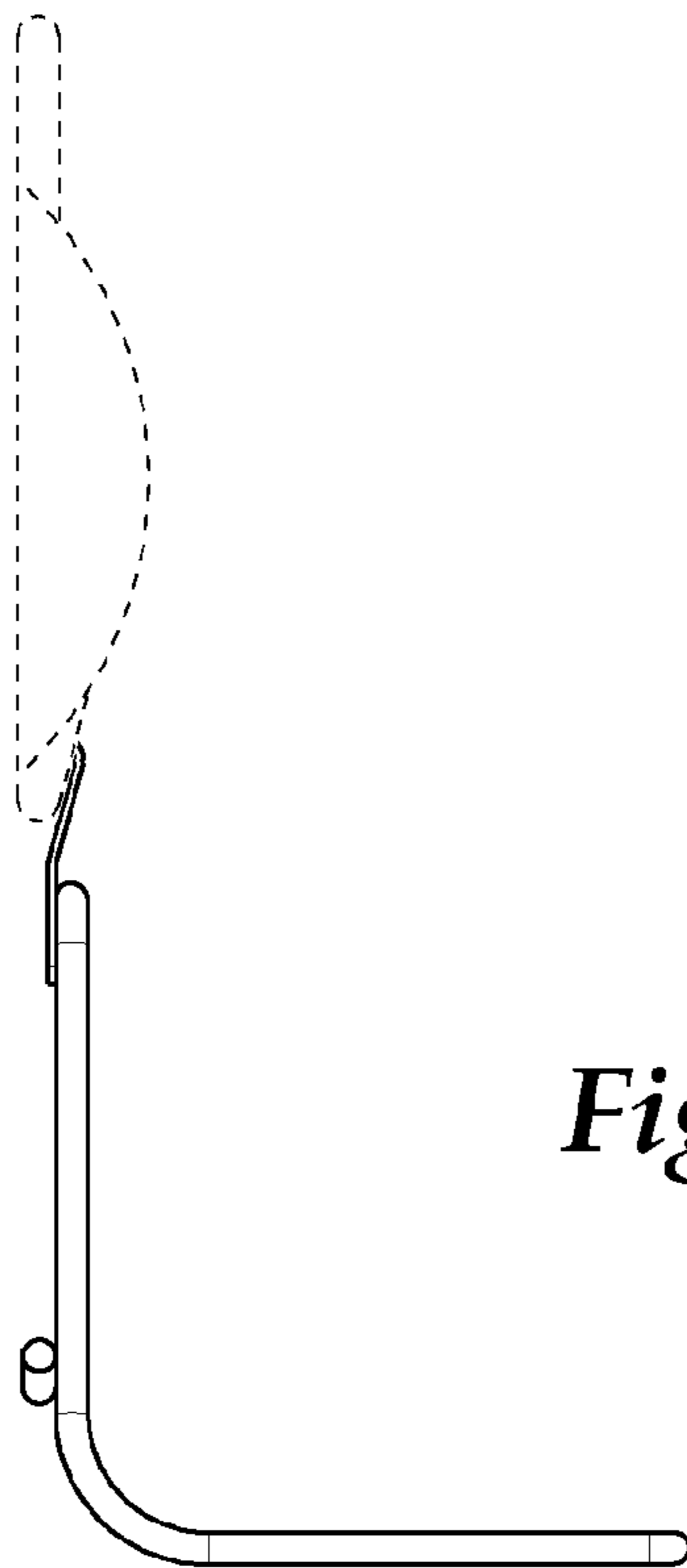


Fig.2

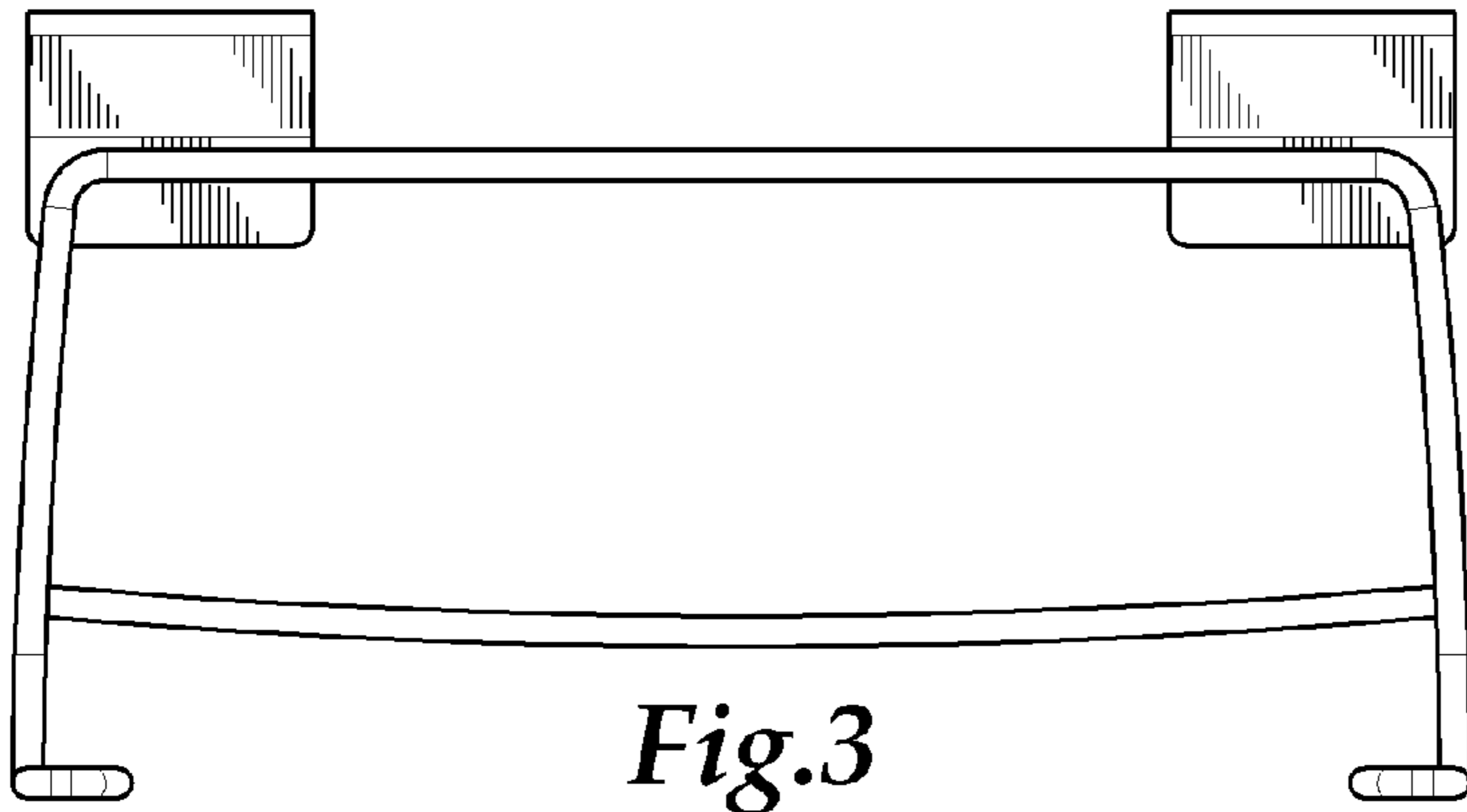


Fig.3

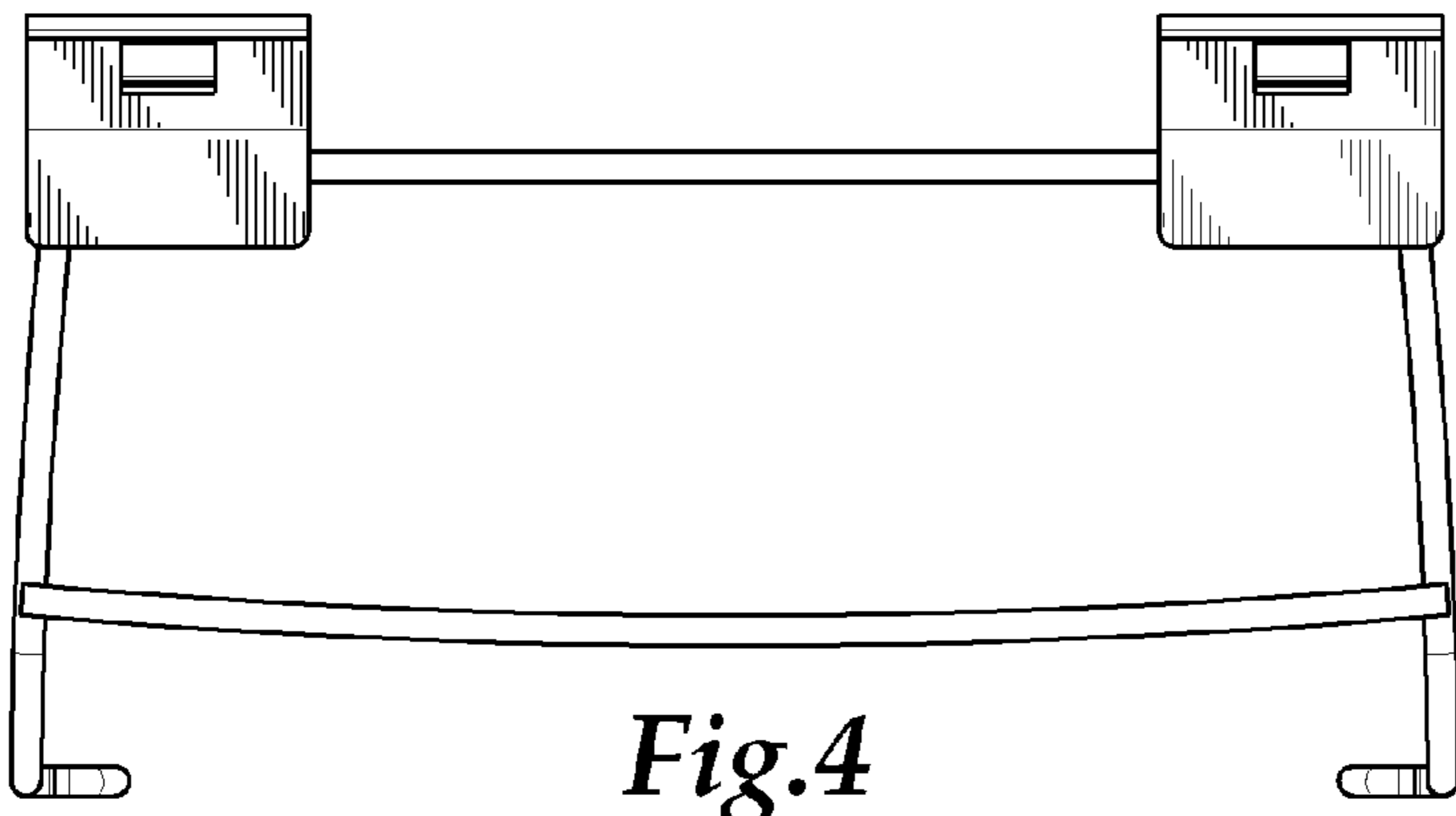


Fig.4

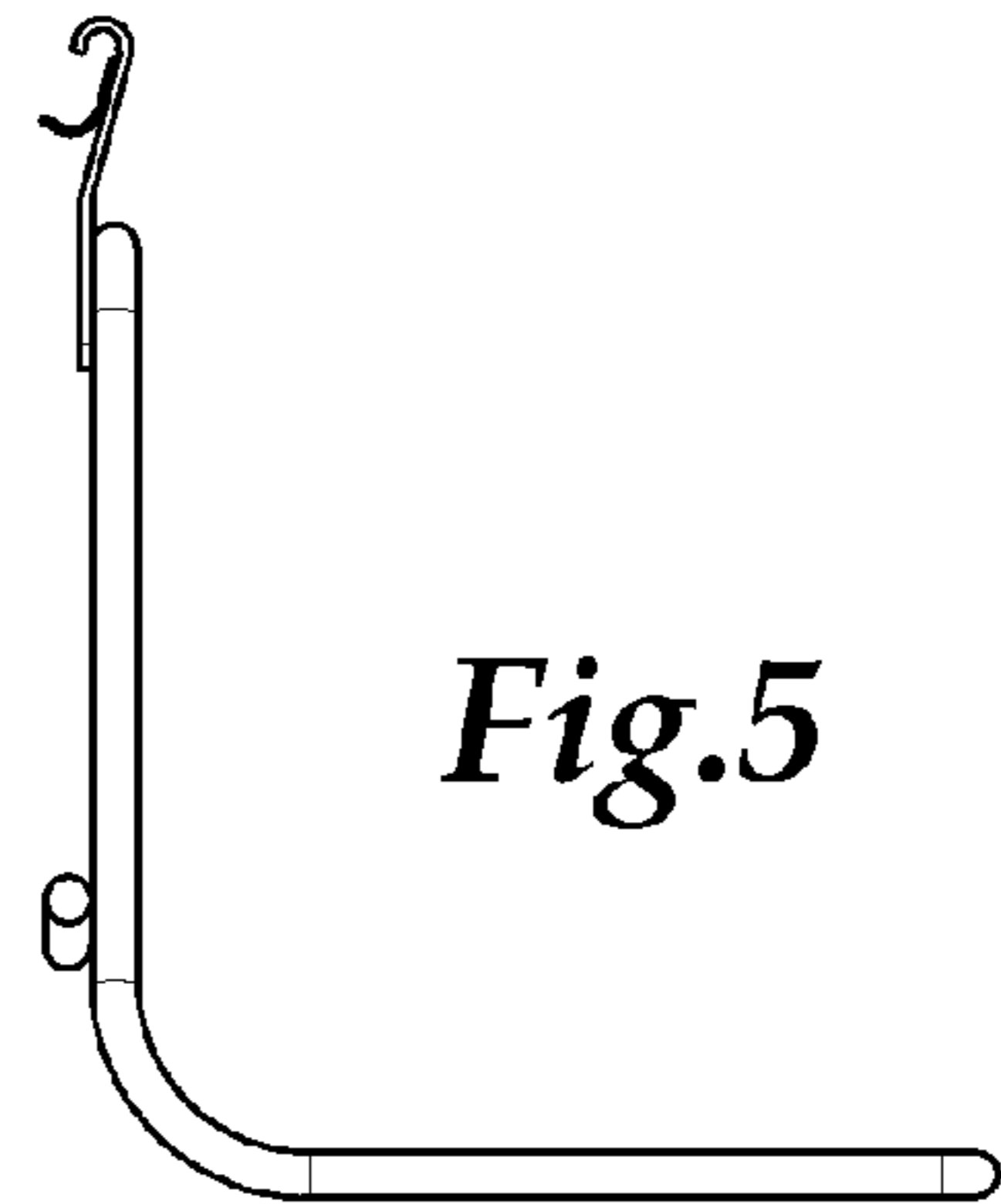


Fig.5

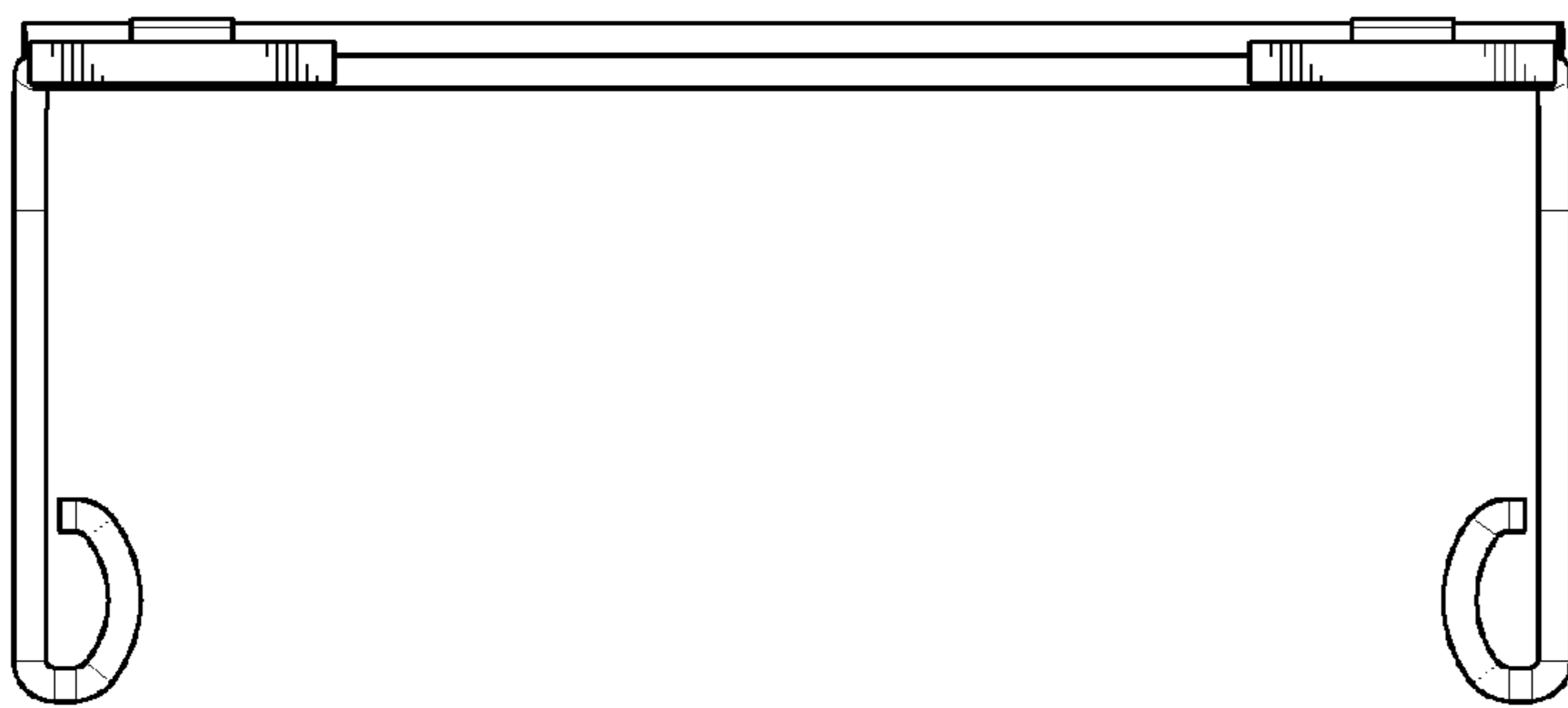


Fig.6



Fig.7