



US00D589277S

(12) **United States Design Patent**
Chen et al.

(10) **Patent No.:** **US D589,277 S**

(45) **Date of Patent:** **** Mar. 31, 2009**

(54) **TEST APPARATUS FOR HOLDING DEVICES
HAVING AN ANTENNA BEING TESTED**

(75) Inventors: **Yung Jen Chen**, Tu-Cheng (TW); **Lan Yung Hsiao**, Tu-Cheng (TW); **Hsih Hao Hu**, Tu-Cheng (TW)

(73) Assignee: **Cheng Uei Precision Industry Co., Ltd.**, Taipei Hsien (TW)

(**) Term: **14 Years**

(21) Appl. No.: **29/300,446**

(22) Filed: **Mar. 27, 2008**

(51) **LOC (9) Cl.** **06-03**

(52) **U.S. Cl.** **D6/400**

(58) **Field of Classification Search** D10/46;
D6/396, 397, 400, 477, 498, 461, 455, 478,
D6/514, 629, 355, 349, 430, 429; D14/125-134,
D14/451, 439, 371, 136, 374-382; D15/141;
73/116.03, 862.043; 324/537; 200/51 R;
439/912; 312/7.2, 430, 280; 348/836, 180,
348/838, 184, 325, 739; 341/12; 248/917-924,
248/465; 345/104, 133, 156, 168, 173; 720/605,
720/600, 655, 669; 369/99, 197; 455/344-347;
269/16, 139, 220, 154, 147; 108/27, 29,
108/59, 64, 42, 56.1, 115, 158.12, 157.16,
108/127; 144/286.1

See application file for complete search history.

(56) **References Cited**

U.S. PATENT DOCUMENTS

D252,779 S * 9/1979 Mogelhoj D6/462
D332,018 S * 12/1992 De Pas et al. D6/464
D539,563 S * 4/2007 Grosfillex D6/465

* cited by examiner

Primary Examiner—Antoine D Davis

(74) *Attorney, Agent, or Firm*—Rosenberg, Klein & Lee

(57) **CLAIM**

The ornamental design for a test apparatus for holding devices having an antenna being tested, as shown and described.

DESCRIPTION

FIG. 1 is a perspective view of a test apparatus for holding devices having an antenna being tested showing our new design;

FIG. 2 is a front elevational view thereof;

FIG. 3 is a rear elevational view thereof;

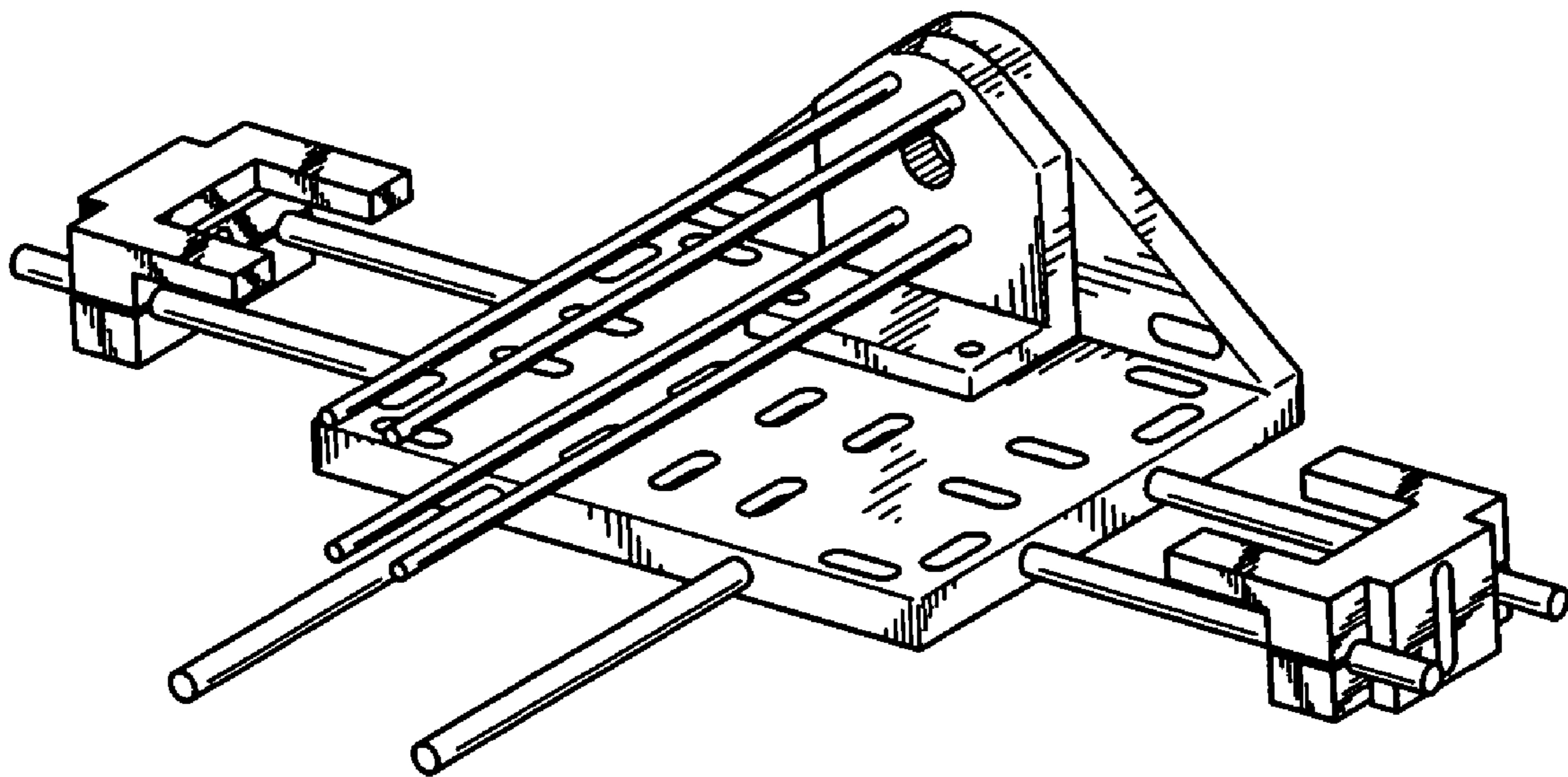
FIG. 4 is a left side elevational view thereof;

FIG. 5 is a right side elevational view thereof;

FIG. 6 is a top plan view thereof; and,

FIG. 7 is a bottom plan view thereof.

1 Claim, 7 Drawing Sheets



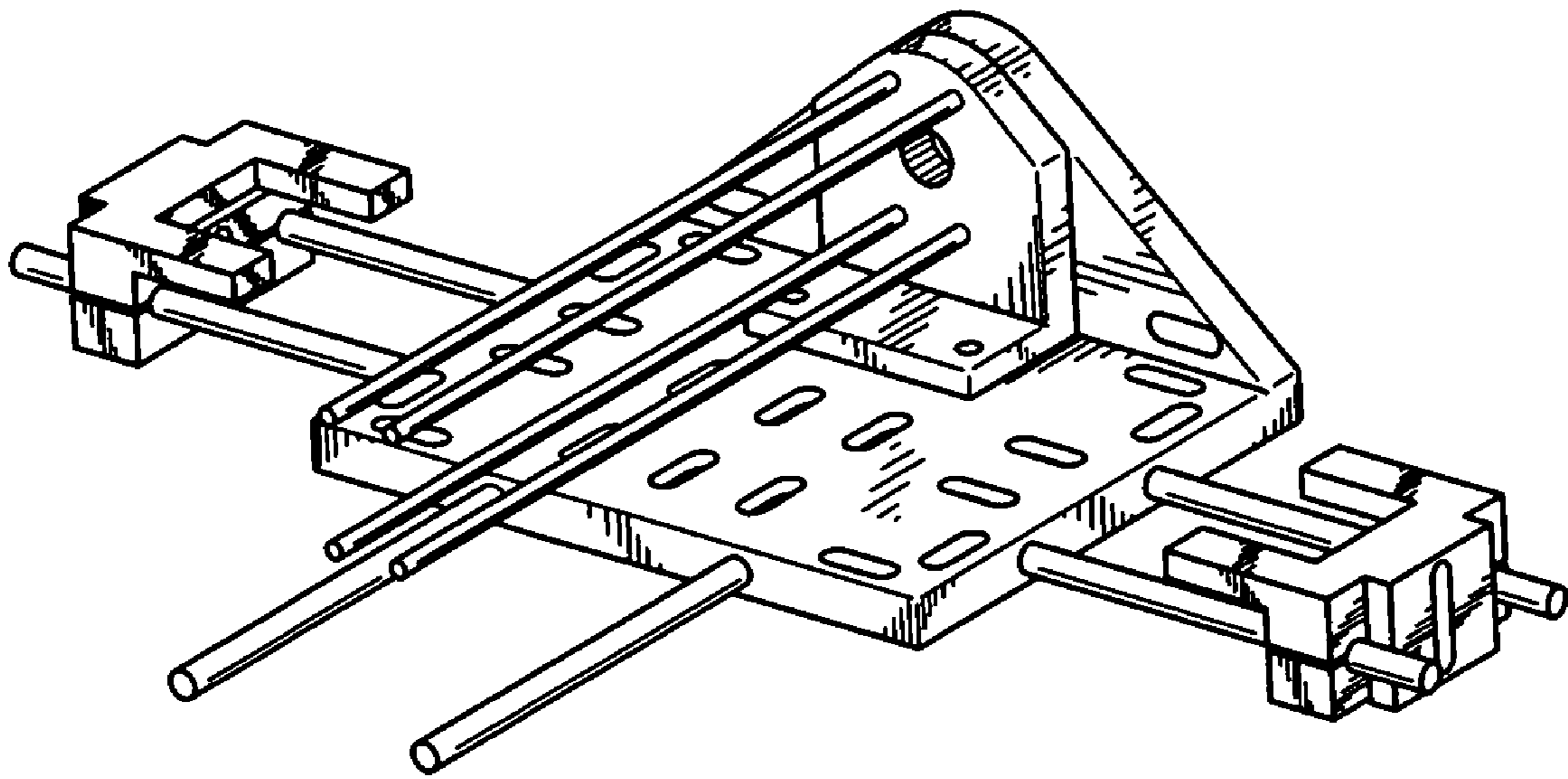


FIG. 1

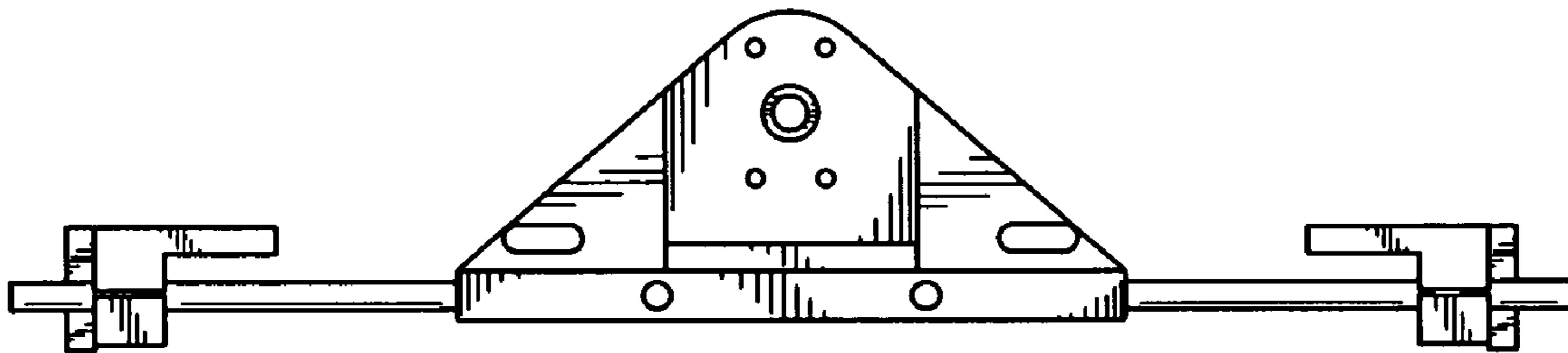


FIG. 2

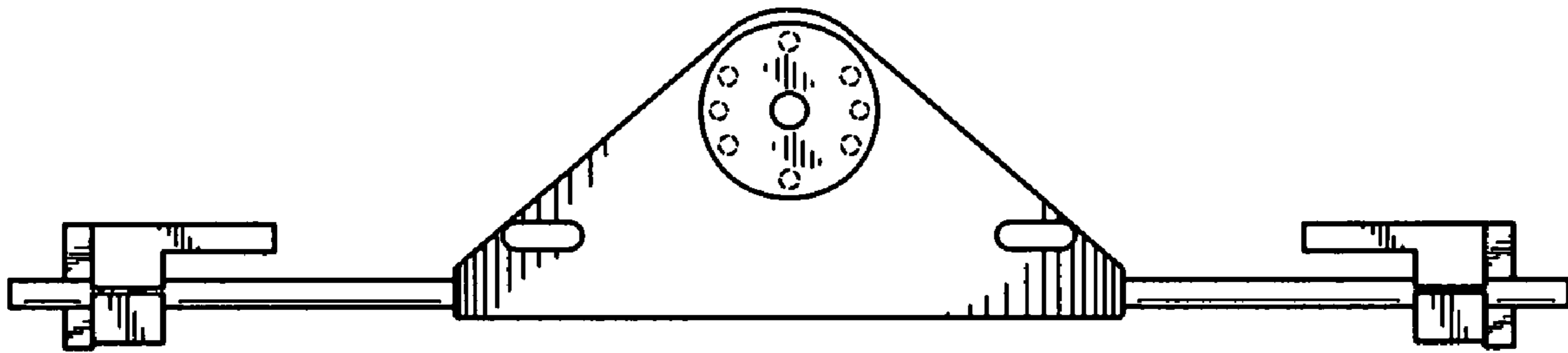


FIG. 3

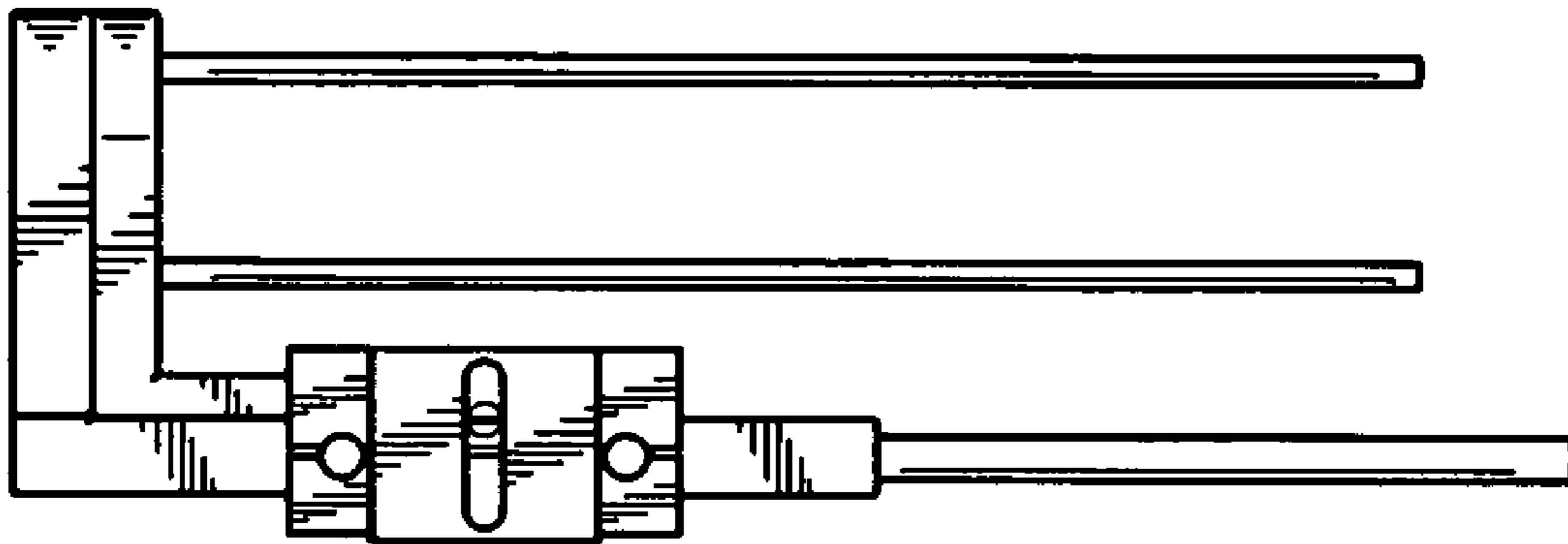


FIG. 4

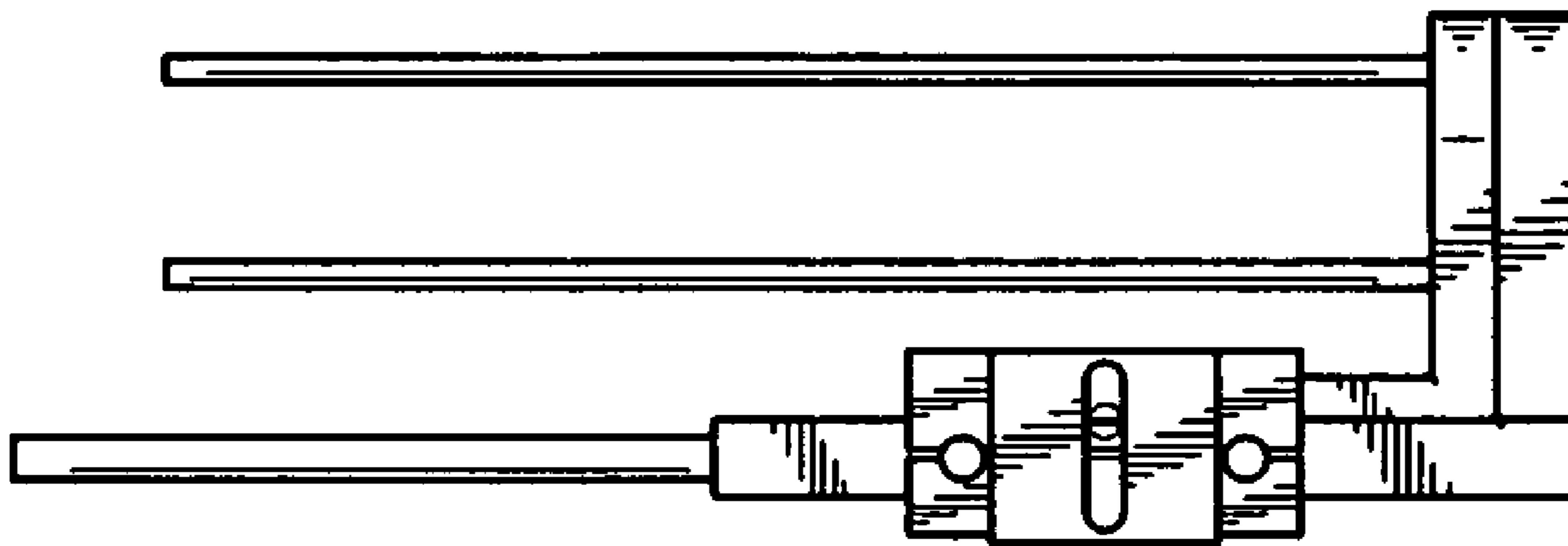


FIG. 5

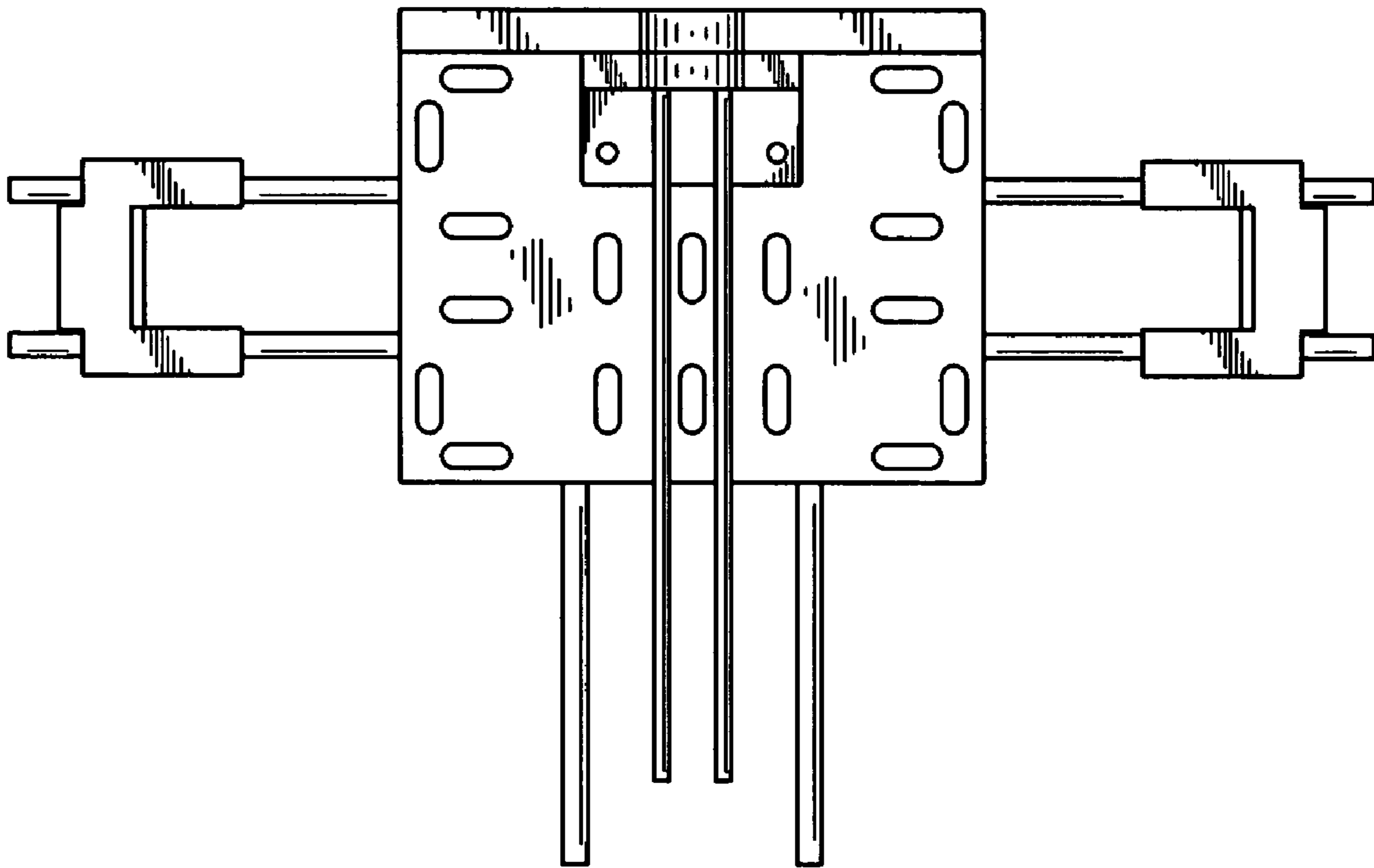


FIG. 6

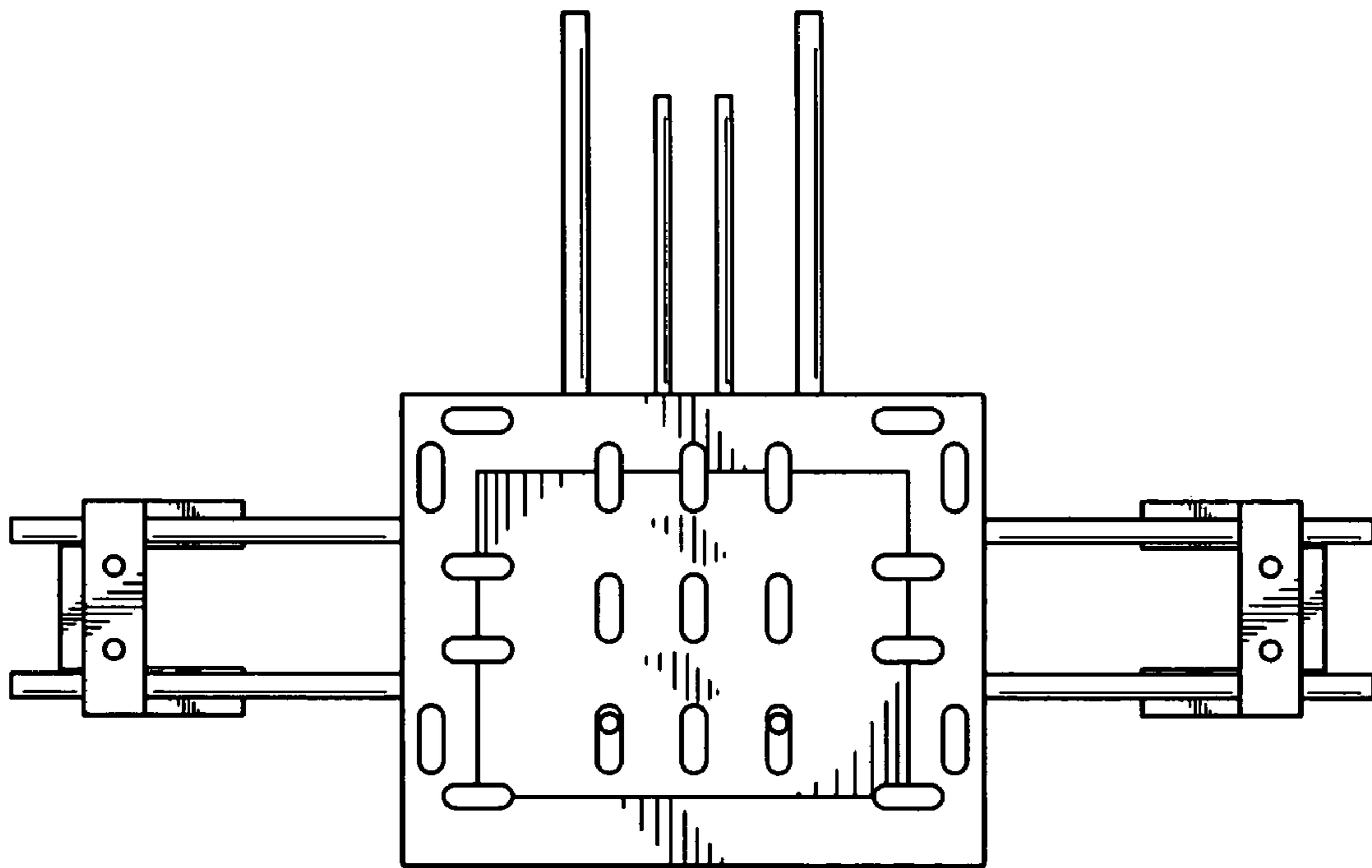


FIG. 7