



US00D589276S

(12) **United States Design Patent**
Dauphin

(10) **Patent No.:** **US D589,276 S**

(45) **Date of Patent:** **** Mar. 31, 2009**

(54) **CHAIR**

(75) Inventor: **Elke Dauphin**, Hersbruck (DE)

(73) Assignee: **Dauphin Entwicklungs und Beteiligungs GmbH**, Hersbruck (DE)

(**) Term: **14 Years**

(21) Appl. No.: **29/286,034**

(22) Filed: **Apr. 20, 2007**

(30) **Foreign Application Priority Data**

Oct. 23, 2006 (DE) 406 05 551

(51) **LOC (9) Cl.** **06-01**

(52) **U.S. Cl.** **D6/380**

(58) **Field of Classification Search** D6/380,
D6/364-369, 334-336, 356, 358, 370, 372-375,
D6/379, 491, 495, 498, 500-502; 297/411.2,
297/411.27, 411.28, 411.36, 452.36, 284.4,
297/452.3

See application file for complete search history.

(56) **References Cited**

U.S. PATENT DOCUMENTS

D469,971 S * 2/2003 Piretti D6/374

D471,373 S * 3/2003 Starczewski et al. D6/368

D505,801 S * 6/2005 Cesaroni et al. D6/379
D517,828 S * 3/2006 Magnani et al. D6/380
D520,768 S * 5/2006 Glass et al. D6/374
D544,235 S * 6/2007 Chen D6/379
D546,089 S * 7/2007 Ebenestelli D6/379
D547,963 S * 8/2007 Olano D6/379
D548,475 S * 8/2007 Ritch et al. D6/368

* cited by examiner

Primary Examiner—Caron Veynar

Assistant Examiner—Katrina A Kile

(74) *Attorney, Agent, or Firm*—Browdy and Neimark, P.L.L.C.

(57) **CLAIM**

The ornamental design for a chair, as shown and described.

DESCRIPTION

FIG. 1 is a three-quarter perspective view of a chair showing my new design;

FIG. 2 is a left side view thereof;

FIG. 3 is a right side view thereof;

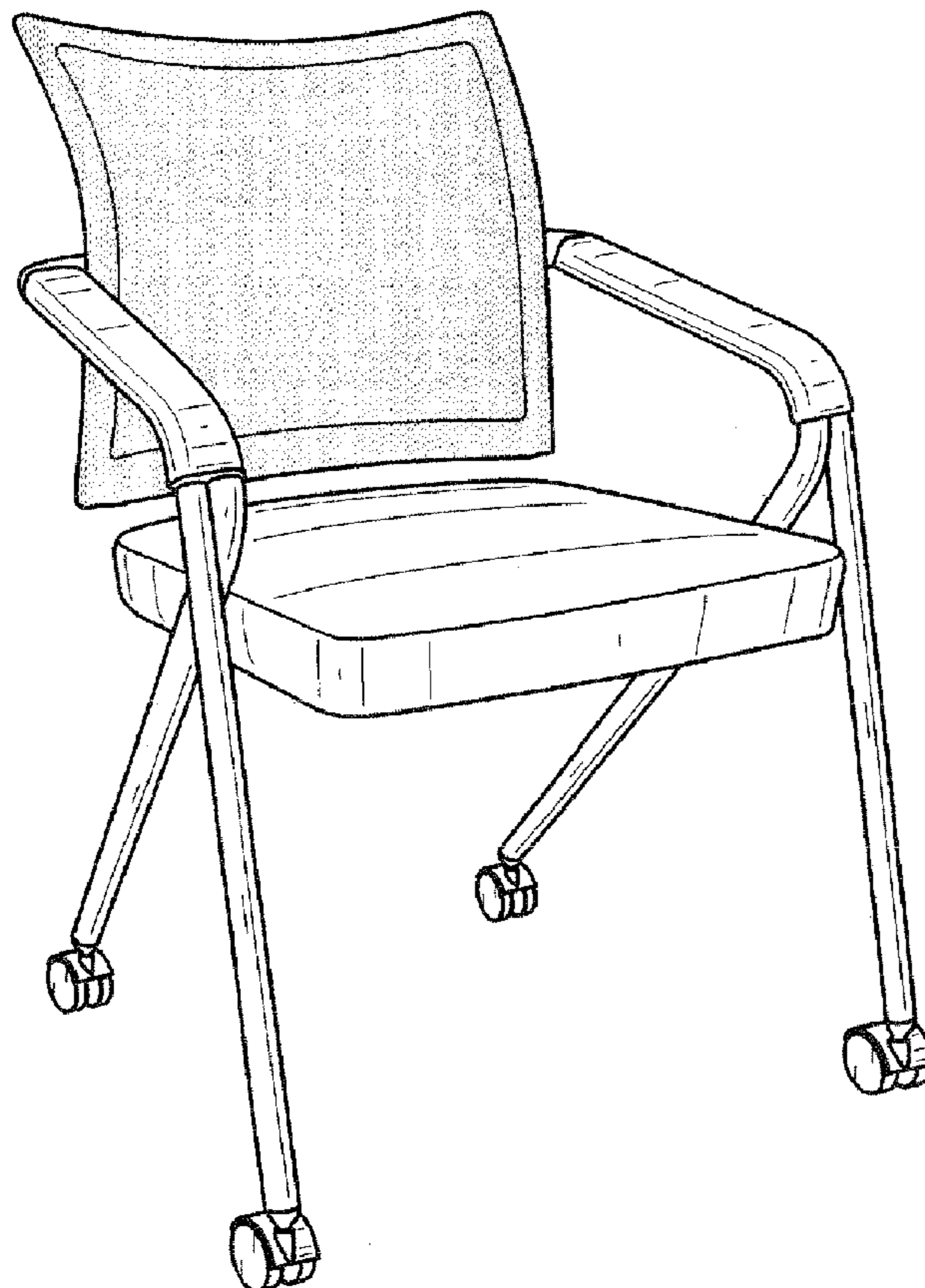
FIG. 4 is a front view thereof;

FIG. 5 is a rear view thereof;

FIG. 6 is a top view thereof; and,

FIG. 7 is a bottom view thereof.

1 Claim, 4 Drawing Sheets



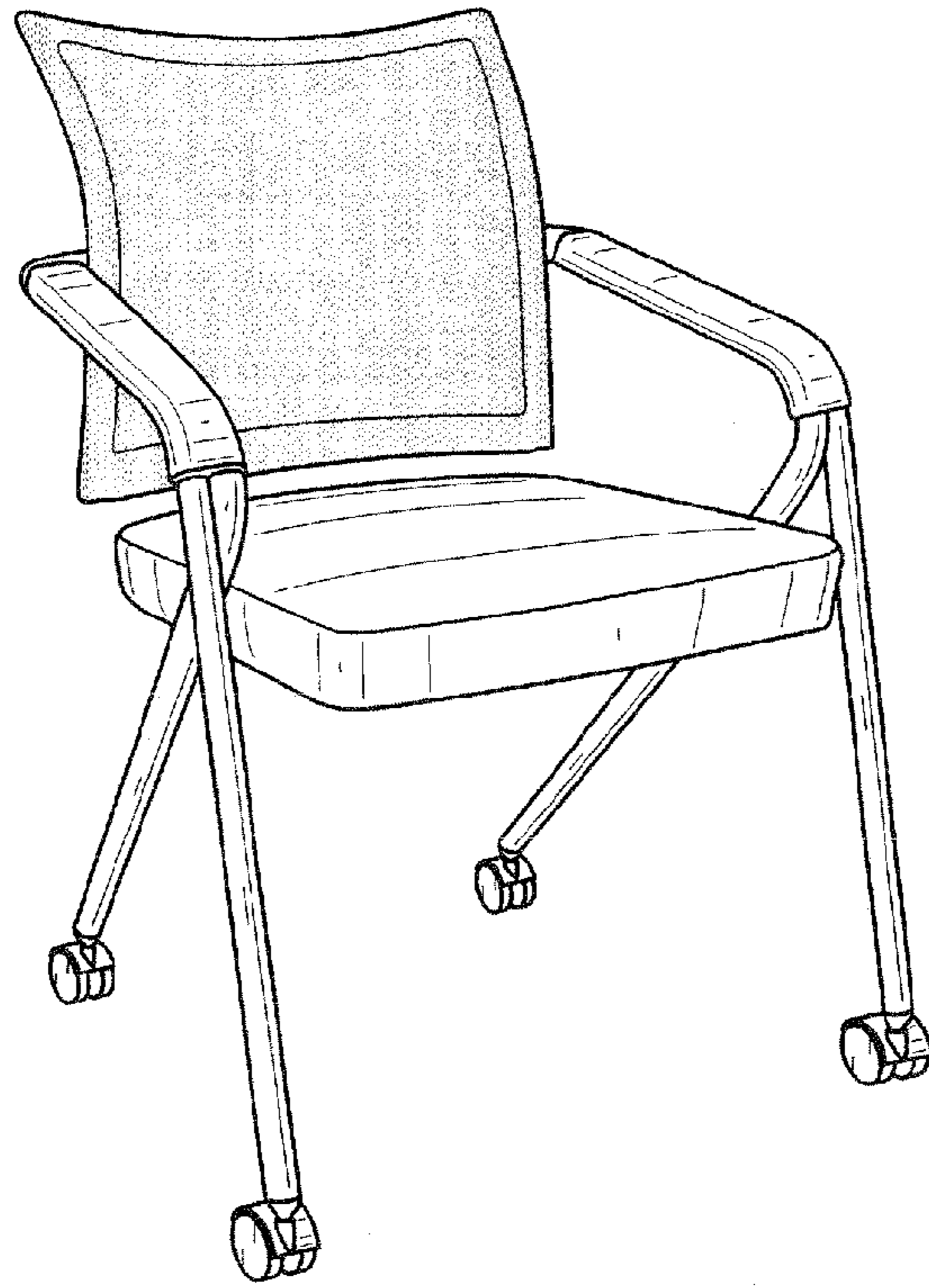


FIG. 1

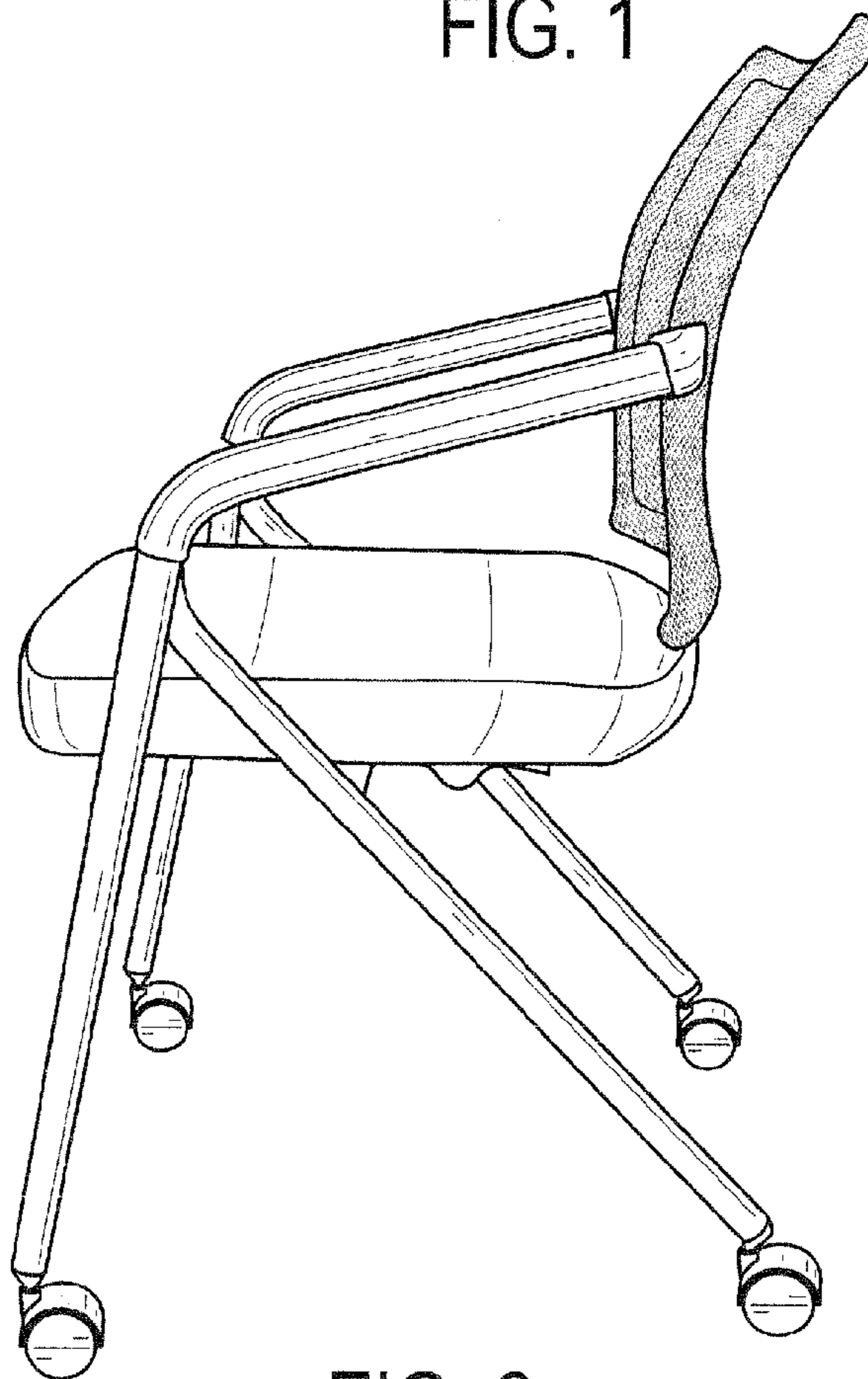


FIG. 2

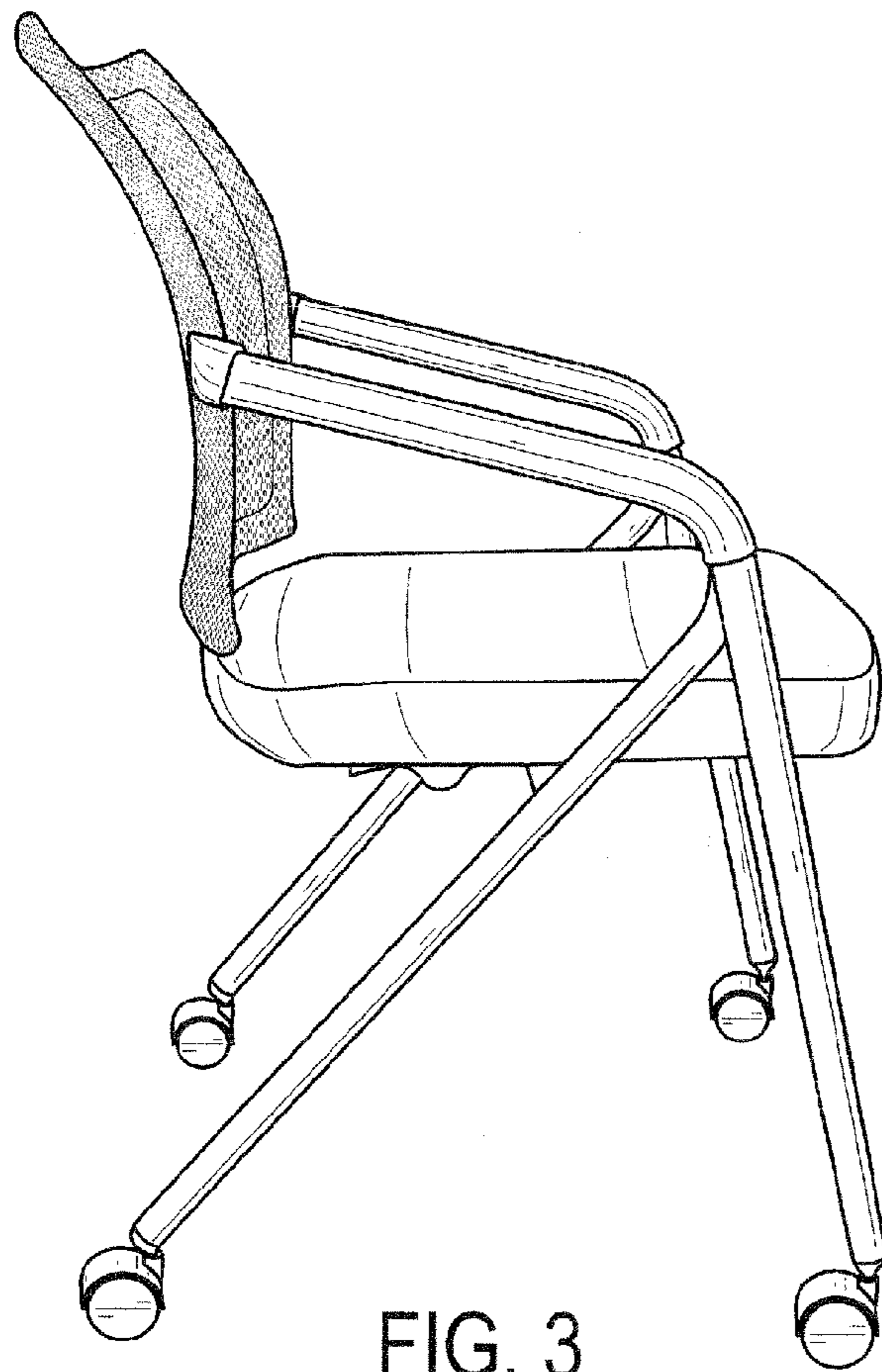


FIG. 3

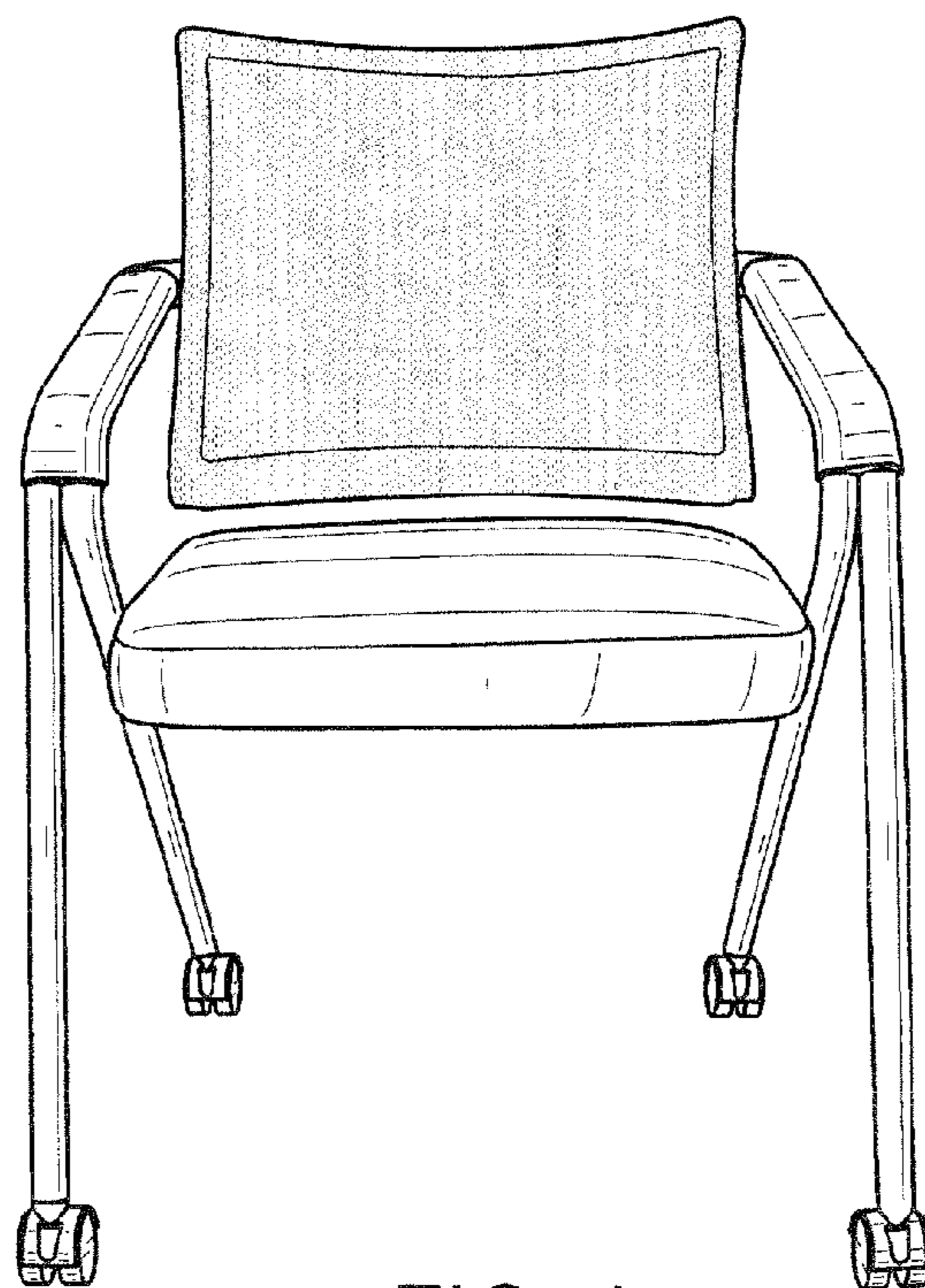


FIG. 4

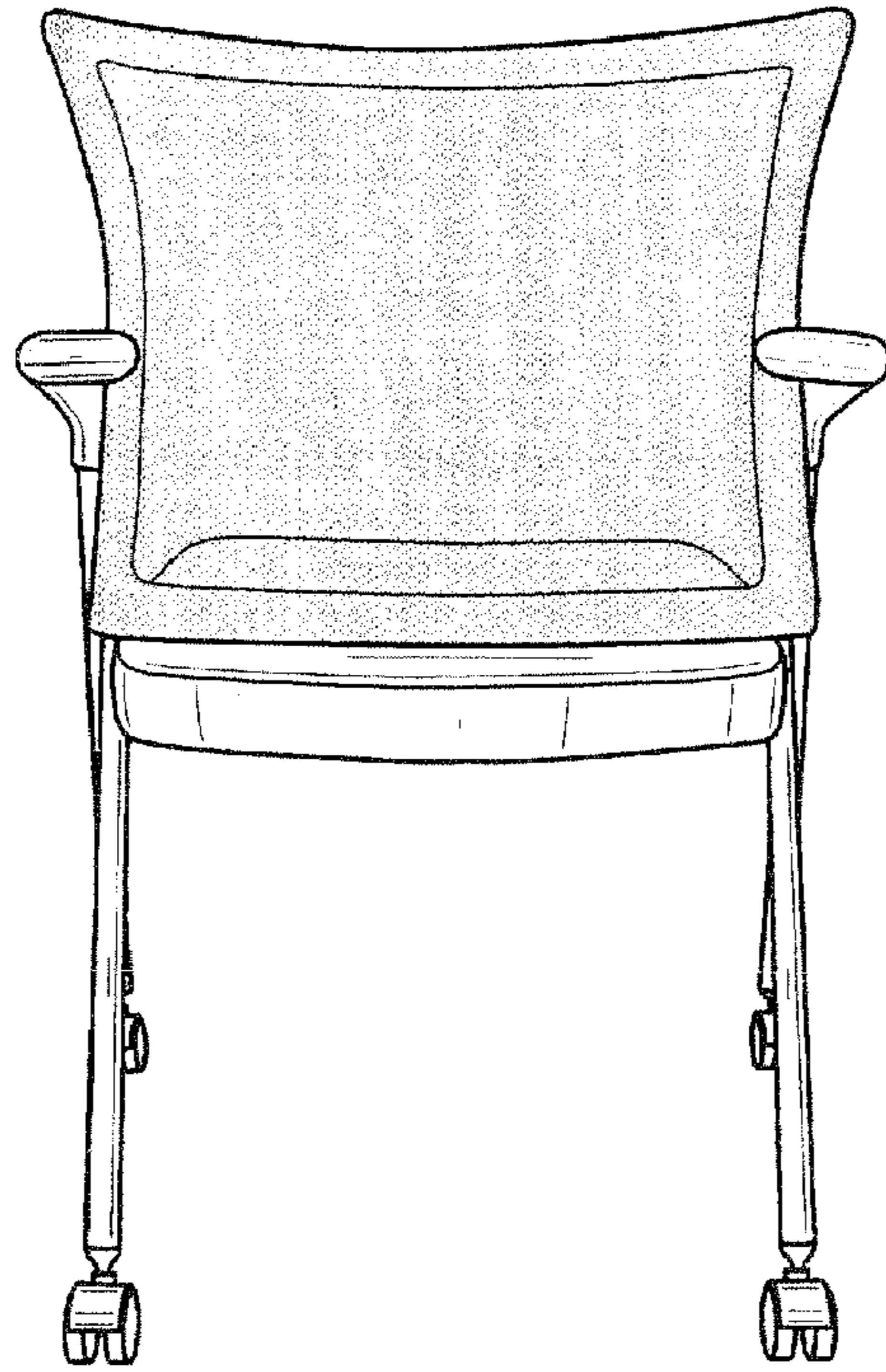


FIG. 5

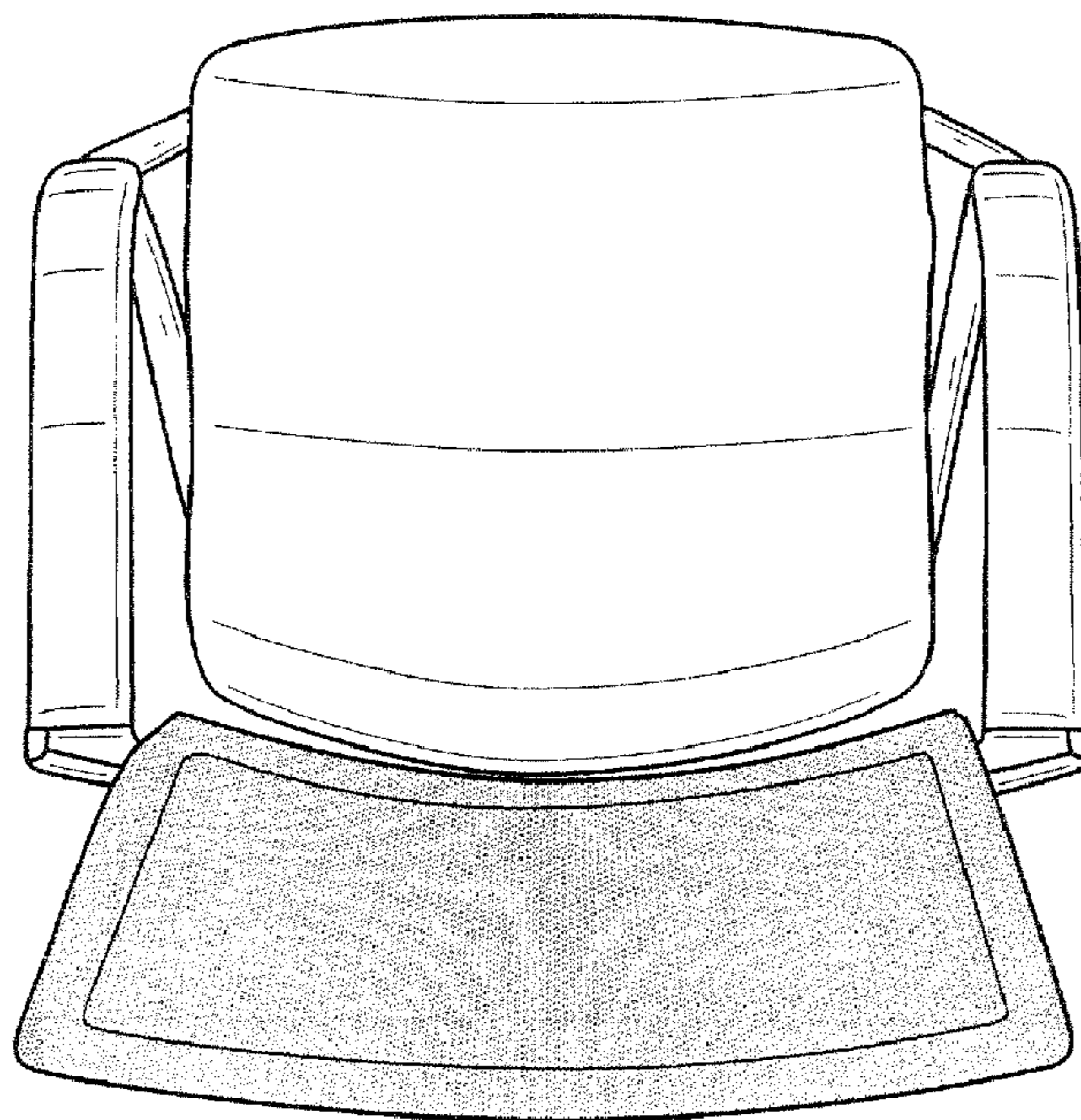


FIG. 6

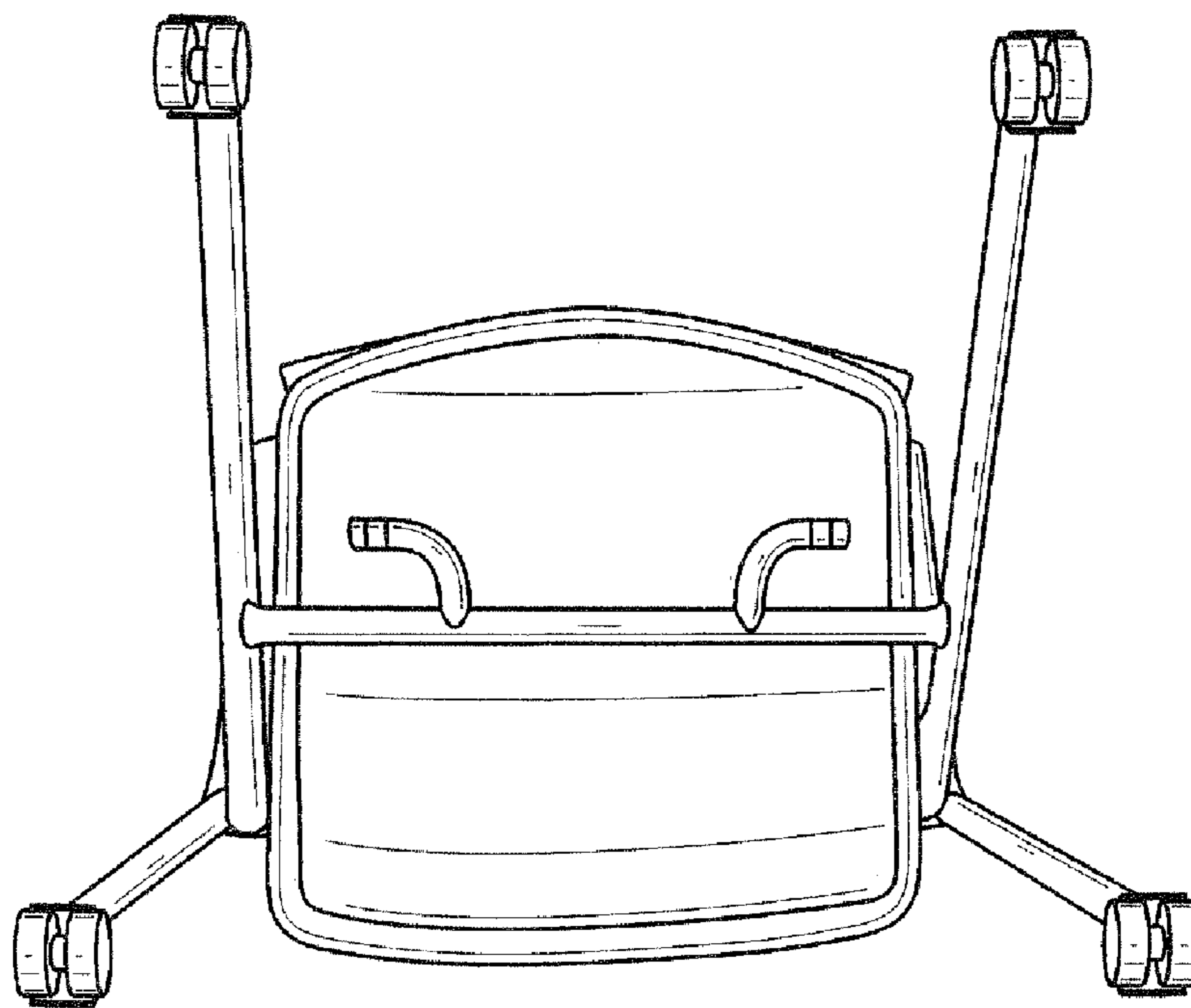


FIG. 7