



US00D589272S

(12) **United States Design Patent**  
**Everson**

(10) **Patent No.:** **US D589,272 S**  
(45) **Date of Patent:** **\*\* Mar. 31, 2009**

(54) **HOOP-BACK DINING CHAIR**

(75) Inventor: **Terry A. Everson**, Blair, WI (US)

(73) Assignee: **Ashley Furniture Industries, Inc.**,  
Arcadia, WI (US)

(\*\*) Term: **14 Years**

(21) Appl. No.: **29/285,450**

(22) Filed: **Mar. 29, 2007**

(51) **LOC (9) Cl.** ..... **06-01**

(52) **U.S. Cl.** ..... **D6/370**

(58) **Field of Classification Search** ..... D6/370,  
D6/366, 334-336, 358, 364-367, 372-375,  
D6/379, 356, 498, 500-502; 297/411.2,  
297/411.27, 411.28, 411.36, 452.29, 284.4,  
297/452.3

See application file for complete search history.

(56) **References Cited**

**U.S. PATENT DOCUMENTS**

D349,612 S *	8/1994	Ward	.....	D6/370
D355,535 S *	2/1995	Ward	.....	D6/370
D355,987 S *	3/1995	Lee	.....	D6/379
D512,572 S *	12/2005	Peterson et al.	.....	D6/334
D546,087 S *	7/2007	Rashid	.....	D6/375
D547,961 S *	8/2007	Hutton et al.	.....	D6/370

**OTHER PUBLICATIONS**

Ashley Furniture, "Arboretum", prior to Mar. 28, 2007 (pdf Ref1).  
Ashley Furniture, "Meridian", prior to Mar. 28, 2007 (pdf Ref2).

Ashley Furniture, "Asheville Collection", prior to Mar. 28, 2007 (pdf Ref3).

Ashley Furniture, "Cherry Knoll", prior to Mar. 28, 2007 (pdf Ref4).

\* cited by examiner

*Primary Examiner*—Robert M. Spear

*Assistant Examiner*—Katrina A Kile

(74) *Attorney, Agent, or Firm*—Patterson, Thuente, Skaar & Christensen, P.A.

(57) **CLAIM**

The ornamental design for a hoop-back dining chair, as shown and described.

**DESCRIPTION**

FIG. 1 is a right front perspective view of a hoop-back dining chair. The left front perspective view being a mirror image thereof.

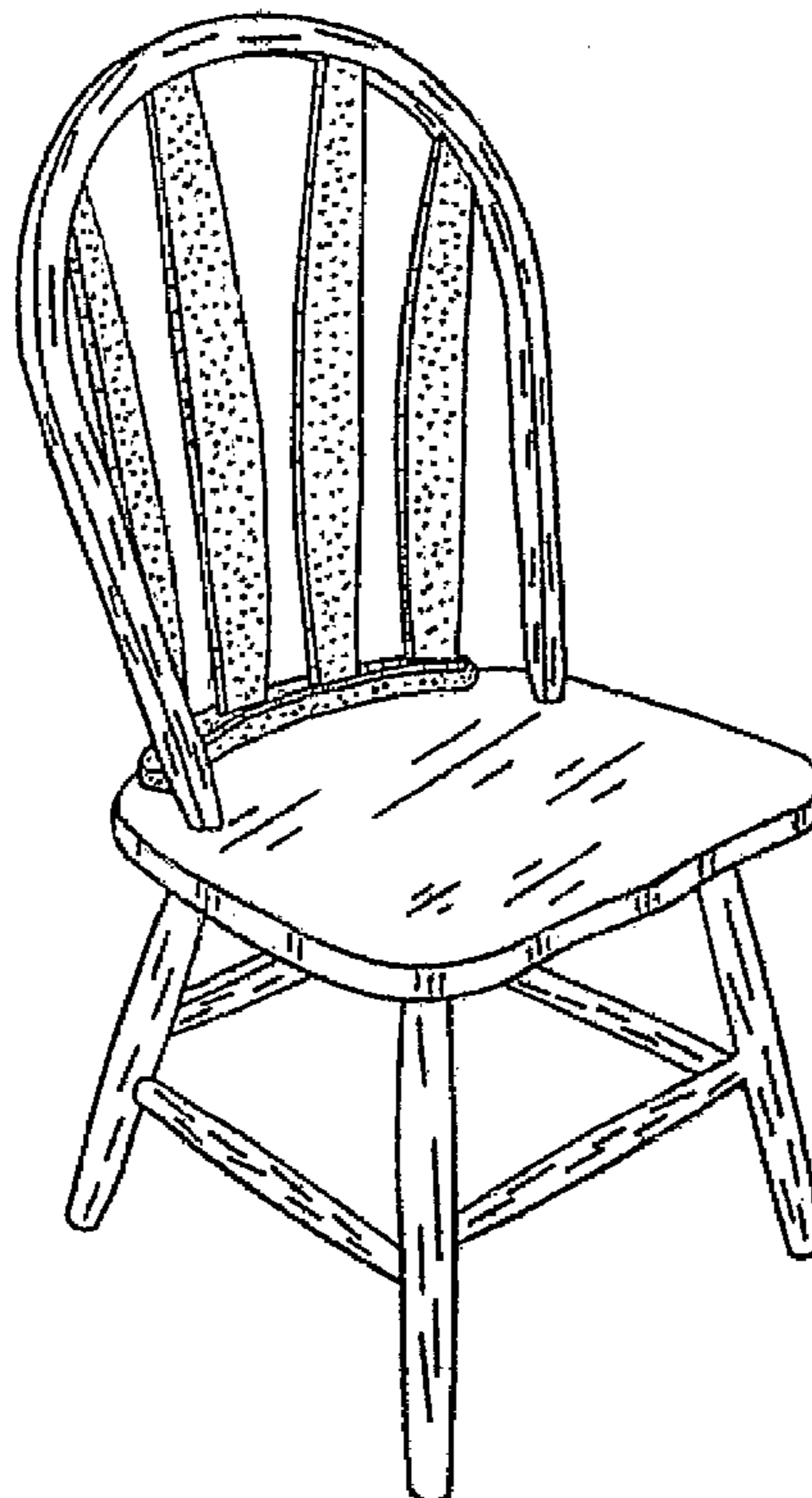
FIG. 2 is a front elevational view of a hoop-back dining chair.

FIG. 3 is a rear elevational view of a hoop-back dining chair; and,

FIG. 4 is a side elevational view of a hoop-back dining chair. The view from the opposite side being a mirror image thereof.

The stippled surfaces illustrate contrasting coloration with respect to the non-stippled surfaces. Specifically the surfaces of the members contained within the hoop have a contrasting coloration to the rest of the chair.

**1 Claim, 2 Drawing Sheets**



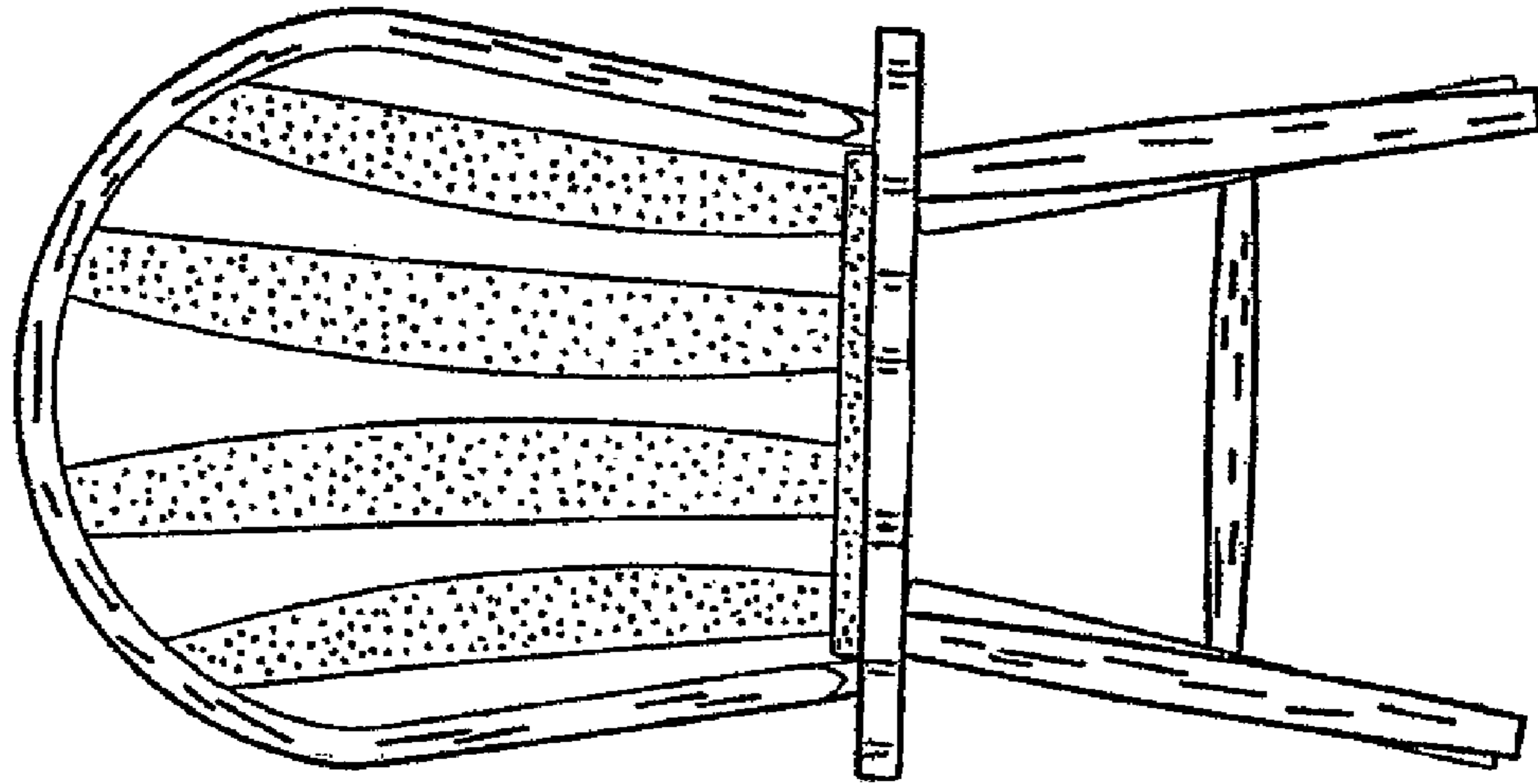


Figure 2

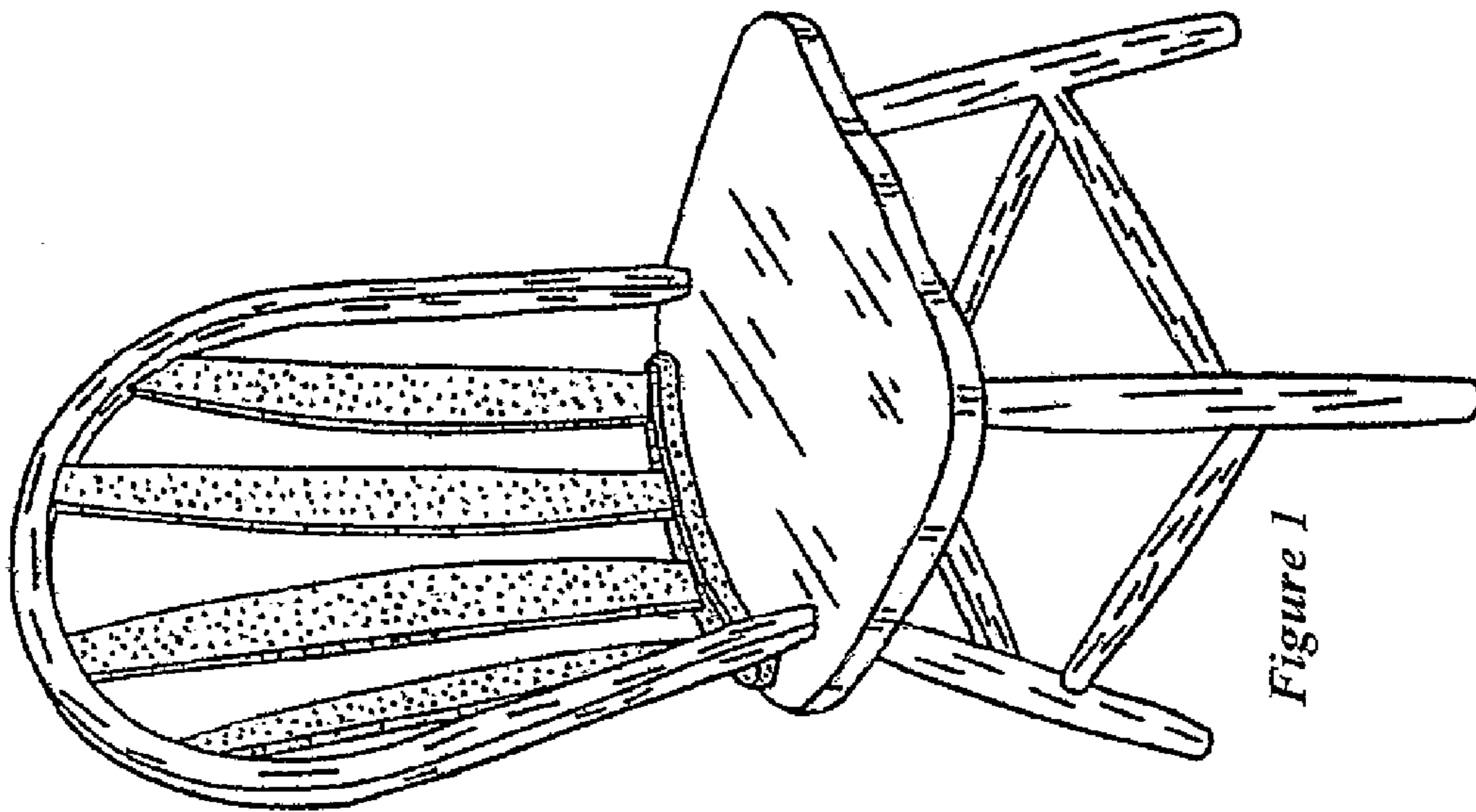


Figure 1

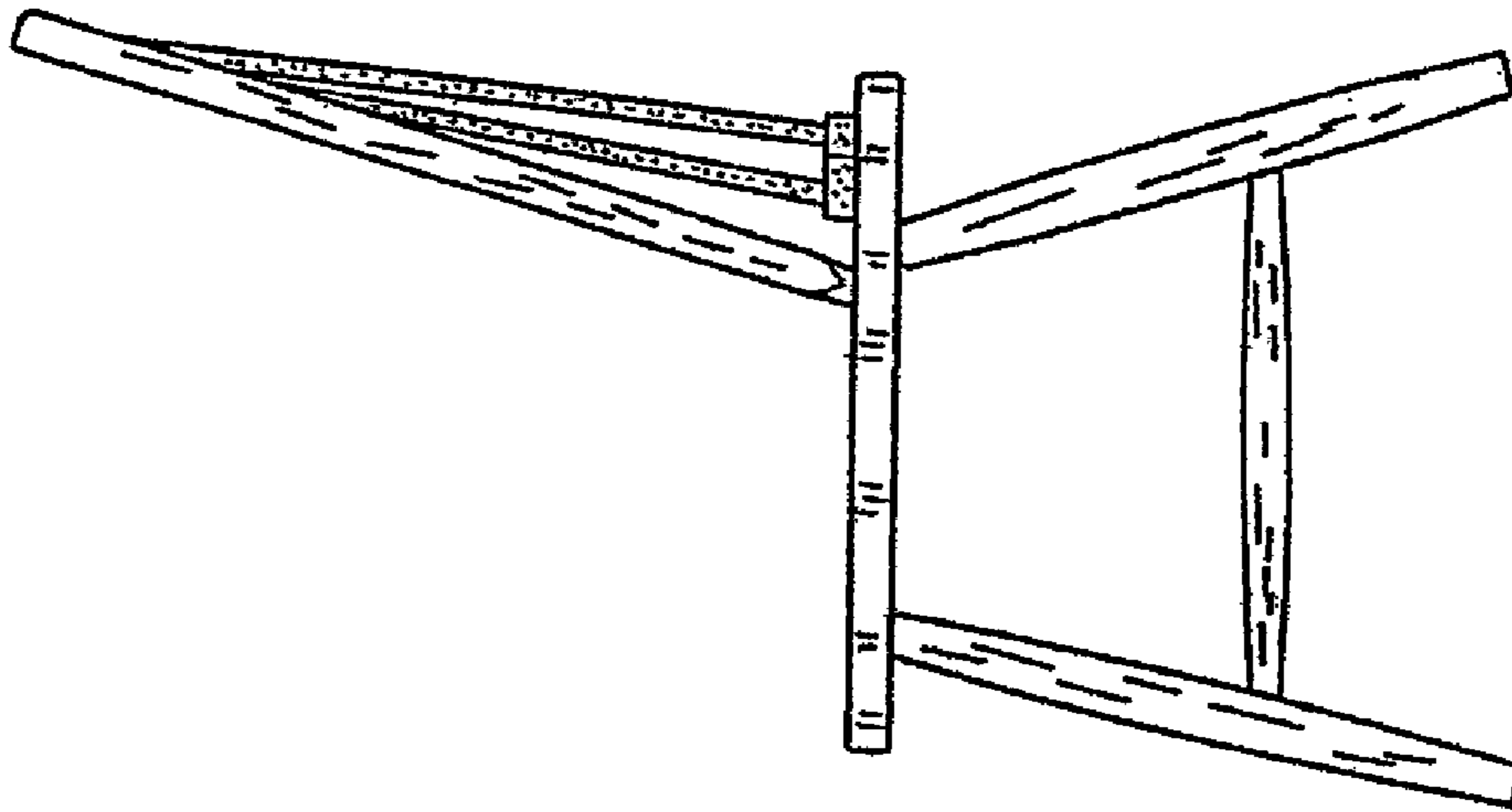


Figure 4

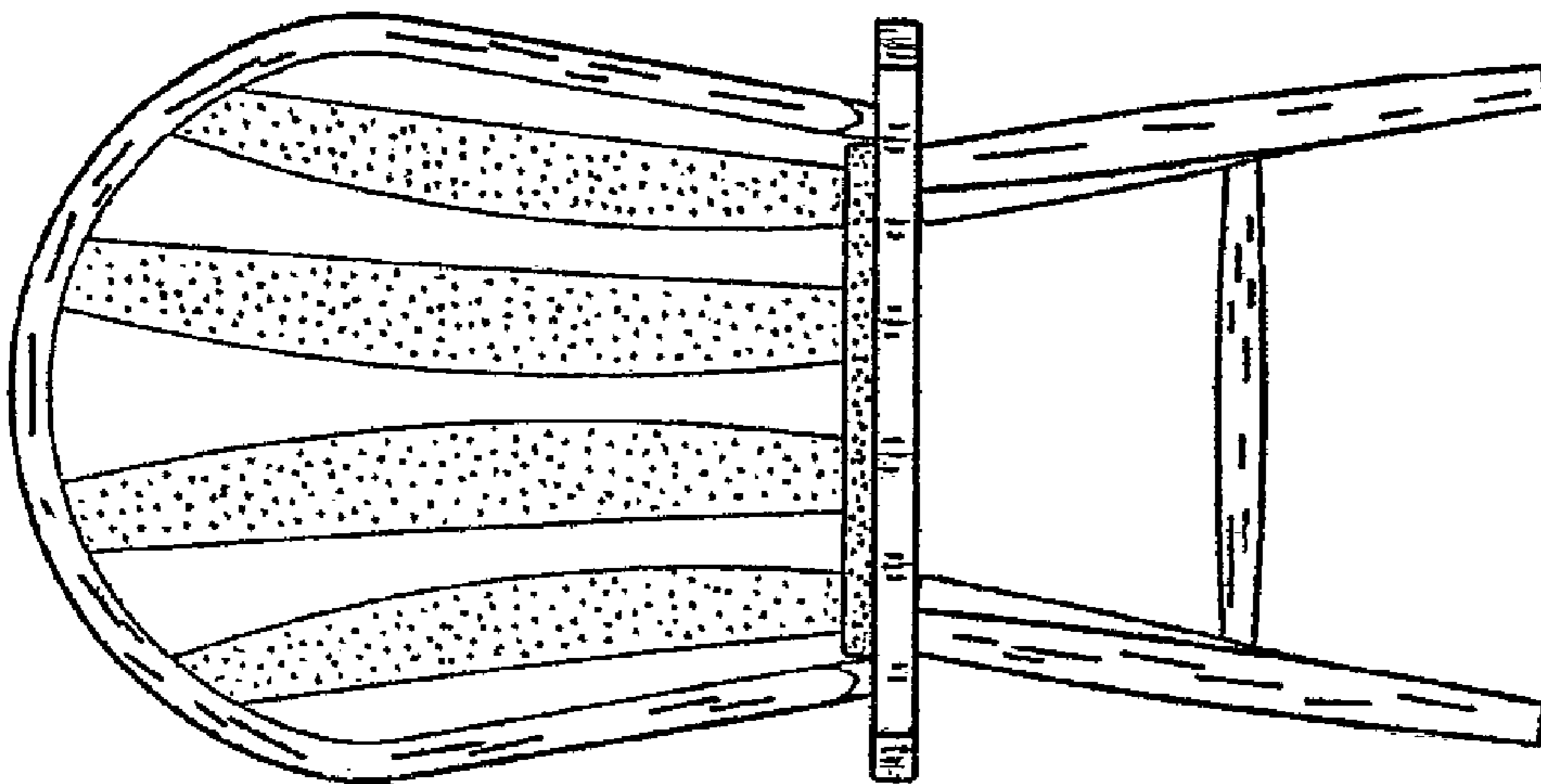


Figure 3