



US00D589271S

(12) **United States Design Patent**
Neil

(10) **Patent No.:** **US D589,271 S**
(45) **Date of Patent:** **** Mar. 31, 2009**

(54) **CHAIR**

(75) Inventor: **Gary Neil**, Mississauga (CA)

(73) Assignee: **Allseating Corporation**, Mississauga (CA)

(**) Term: **14 Years**

(21) Appl. No.: **29/318,687**

(22) Filed: **May 26, 2008**

(51) **LOC (9) Cl.** **06-01**

(52) **U.S. Cl.** **D6/366**

(58) **Field of Classification Search** D6/334-336,
D6/364, 365, 366, 367, 368, 374, 379, 498,
D6/500-502; 297/354.1, 411.2, 411.27,
297/411.28, 411.44, 451.1, 452.21, 452.29,
297/452.35, 452.37, 452.48

See application file for complete search history.

(56) **References Cited**

U.S. PATENT DOCUMENTS

D422,802 S * 4/2000 Deacon D6/366
D437,703 S * 2/2001 Deacon D6/366
D521,755 S * 5/2006 Kinoshita et al. D6/366

D535,112 S * 1/2007 Bennett et al. D6/366
D549,977 S * 9/2007 Koepke et al. D6/366
D550,467 S * 9/2007 Koepke et al. D6/366

* cited by examiner

Primary Examiner—Mimosa De

(74) *Attorney, Agent, or Firm*—Miller Thomson LLP

(57) **CLAIM**

The ornamental design for the “chair,” as shown and described.

DESCRIPTION

FIG. 1 is a front perspective view of the chair.

FIG. 2 is a back perspective view of the chair.

FIG. 3 is a right side view of the chair.

FIG. 4 is a front view of the chair.

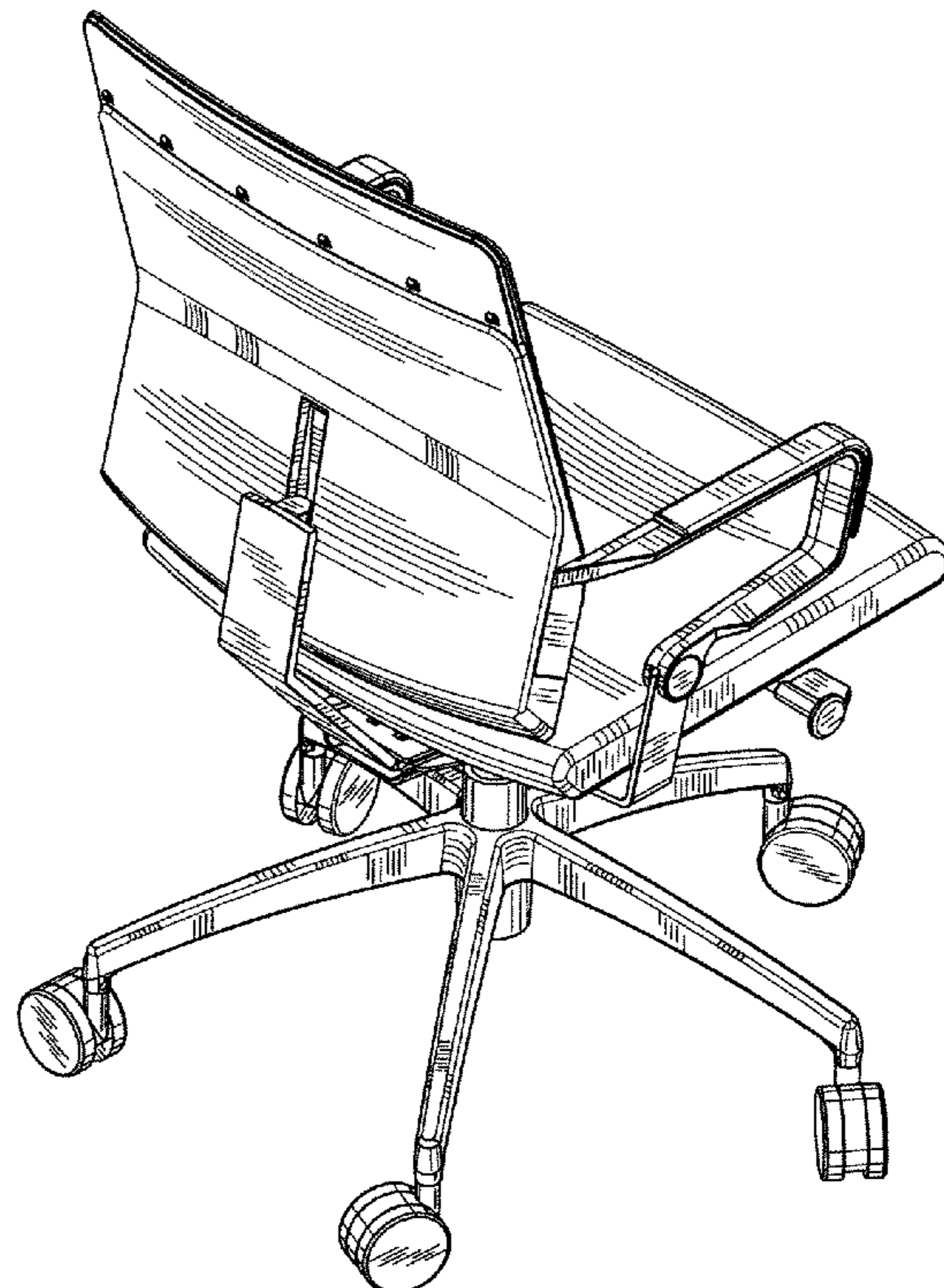
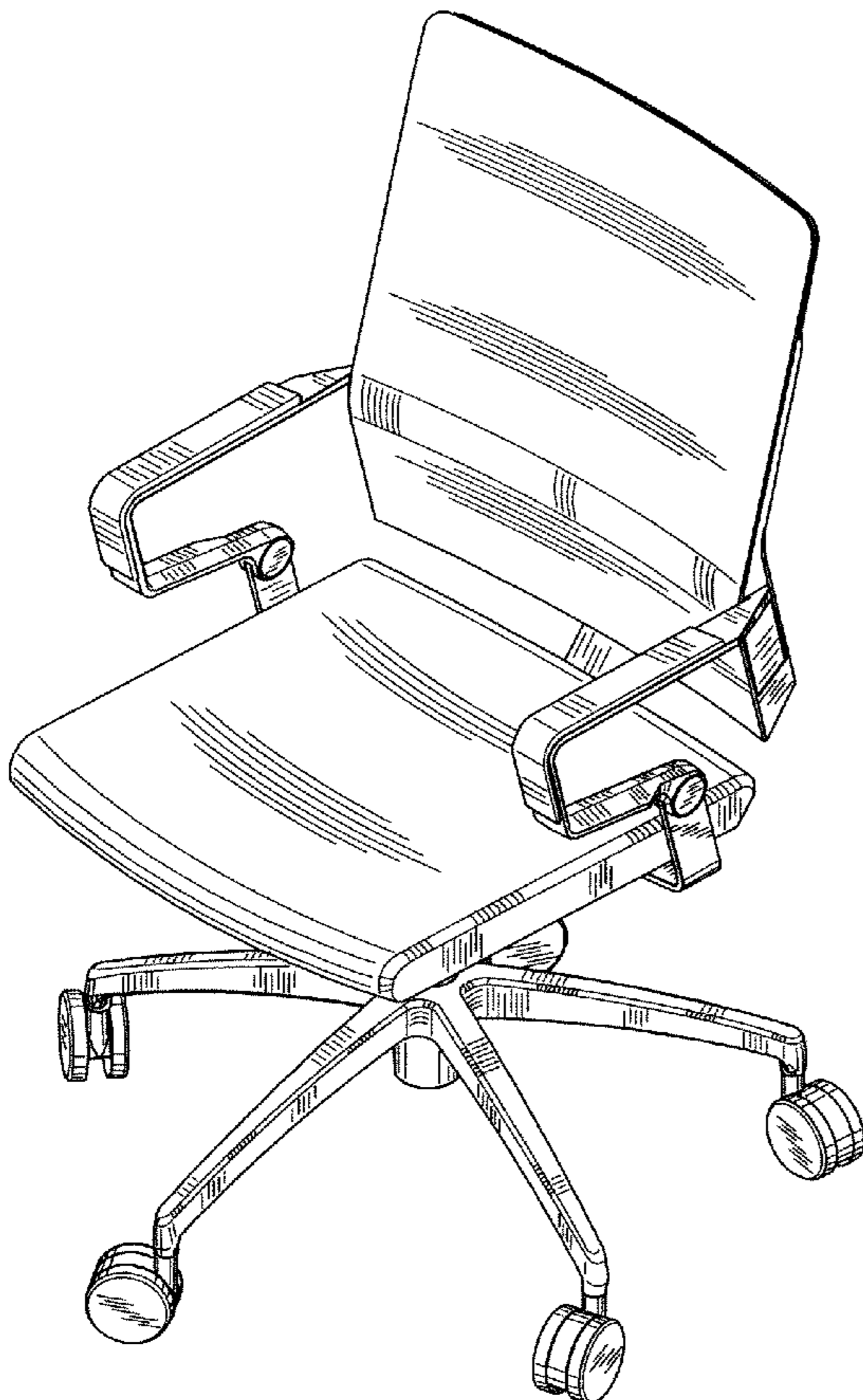
FIG. 5 is a left side view of the chair.

FIG. 6 is a back view of the chair.

FIG. 7 is a top view of the chair; and,

FIG. 8 is a bottom view of the chair.

1 Claim, 5 Drawing Sheets



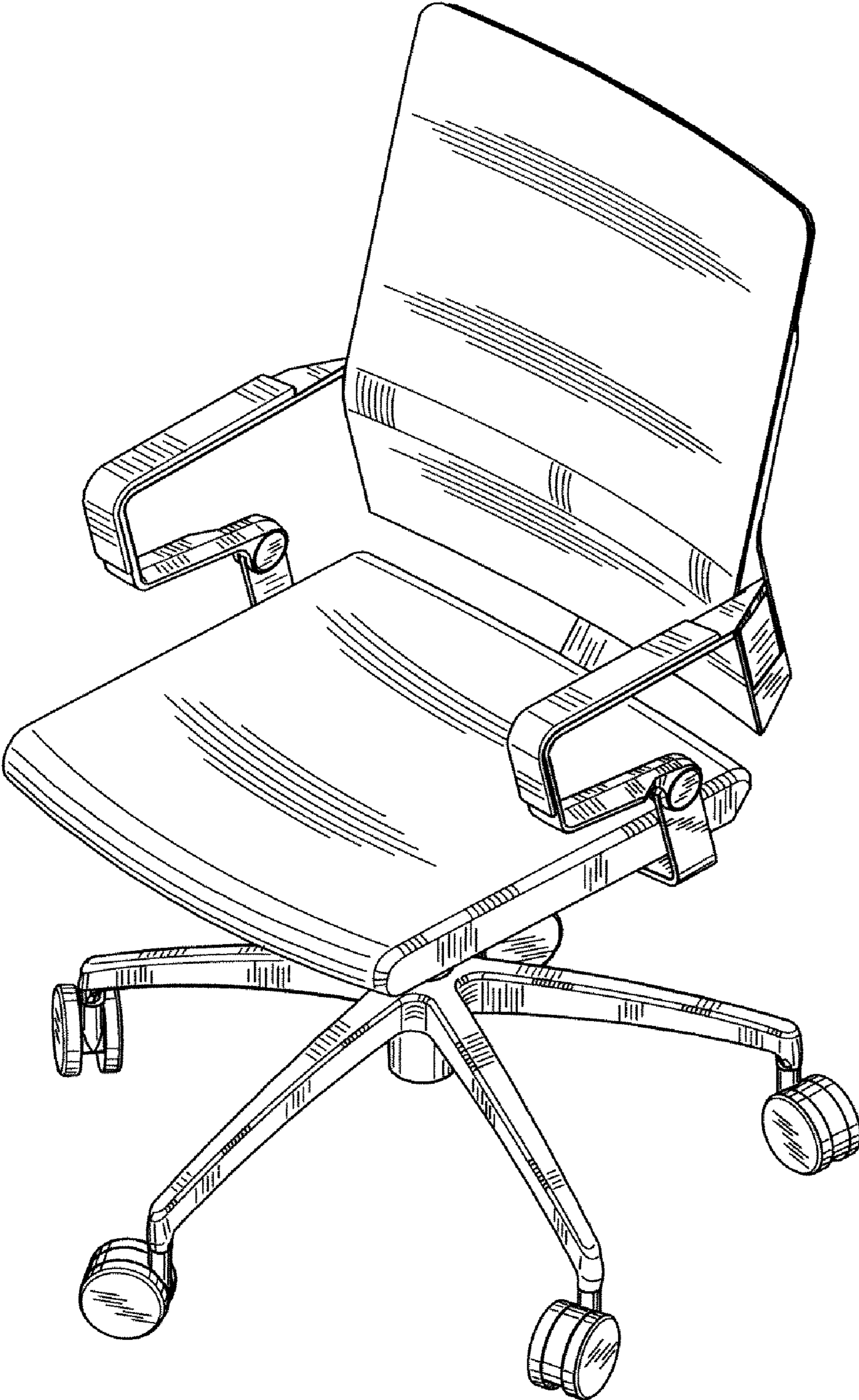


FIG. 1

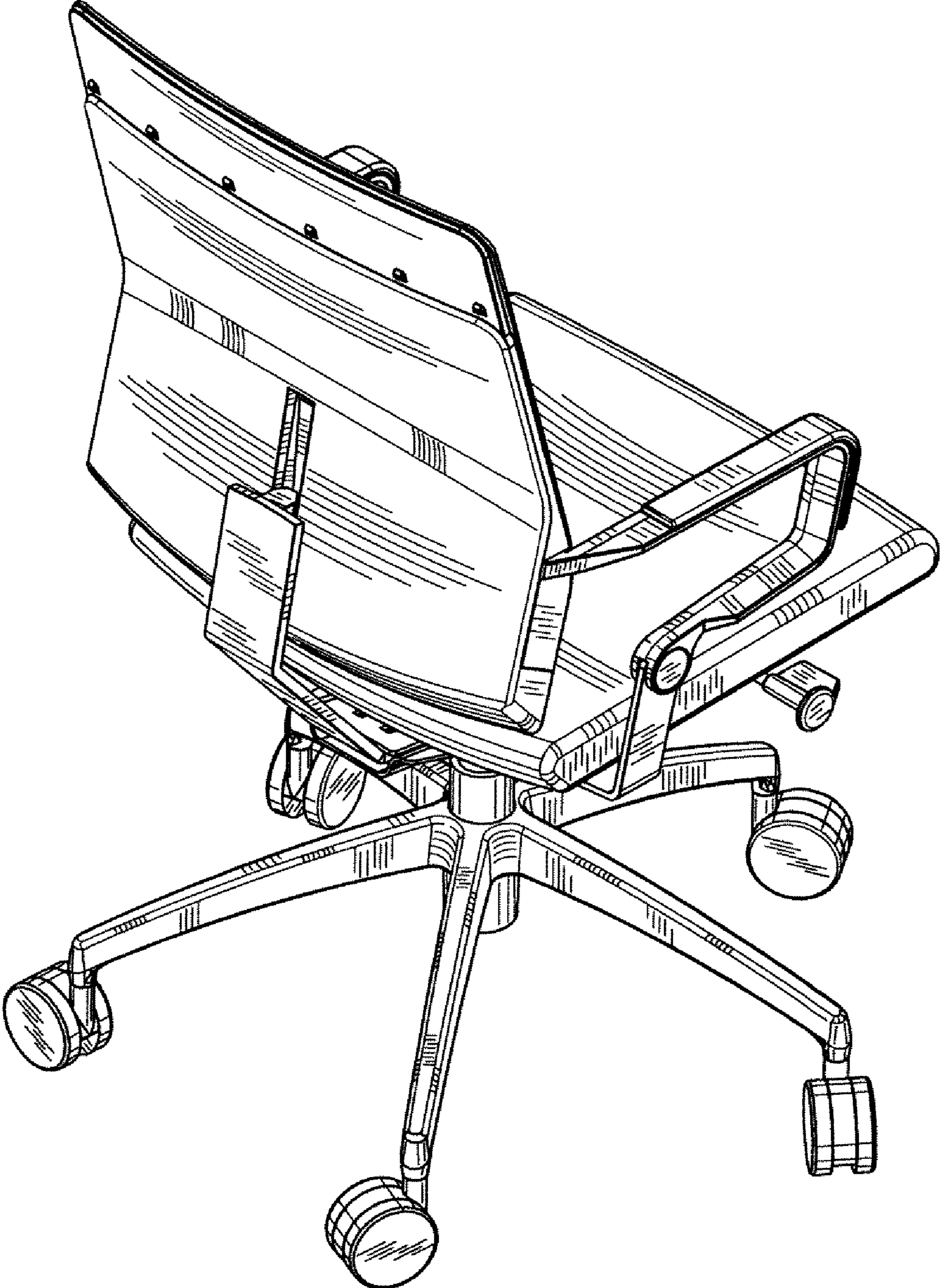


FIG. 2

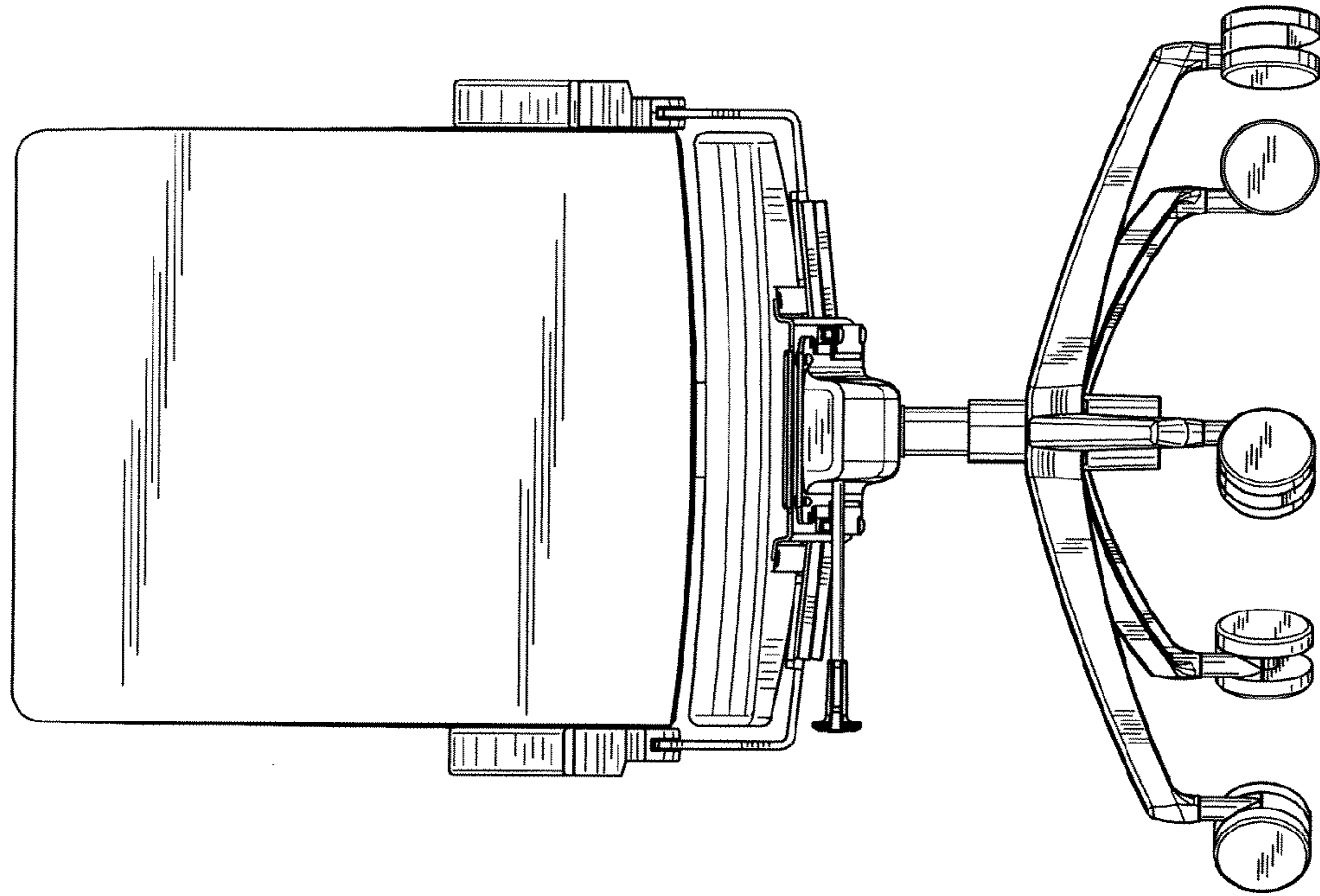


FIG. 4

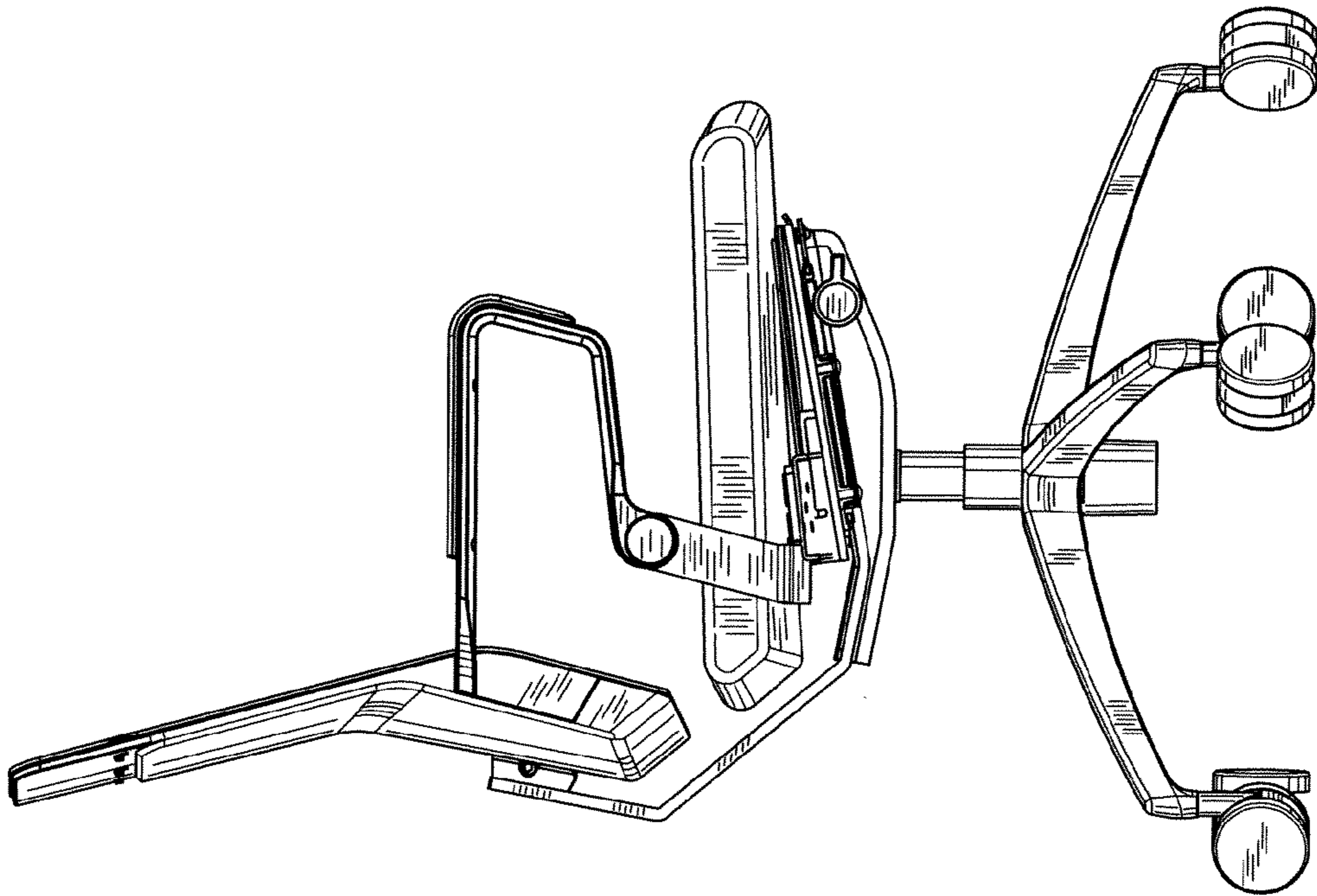


FIG. 3

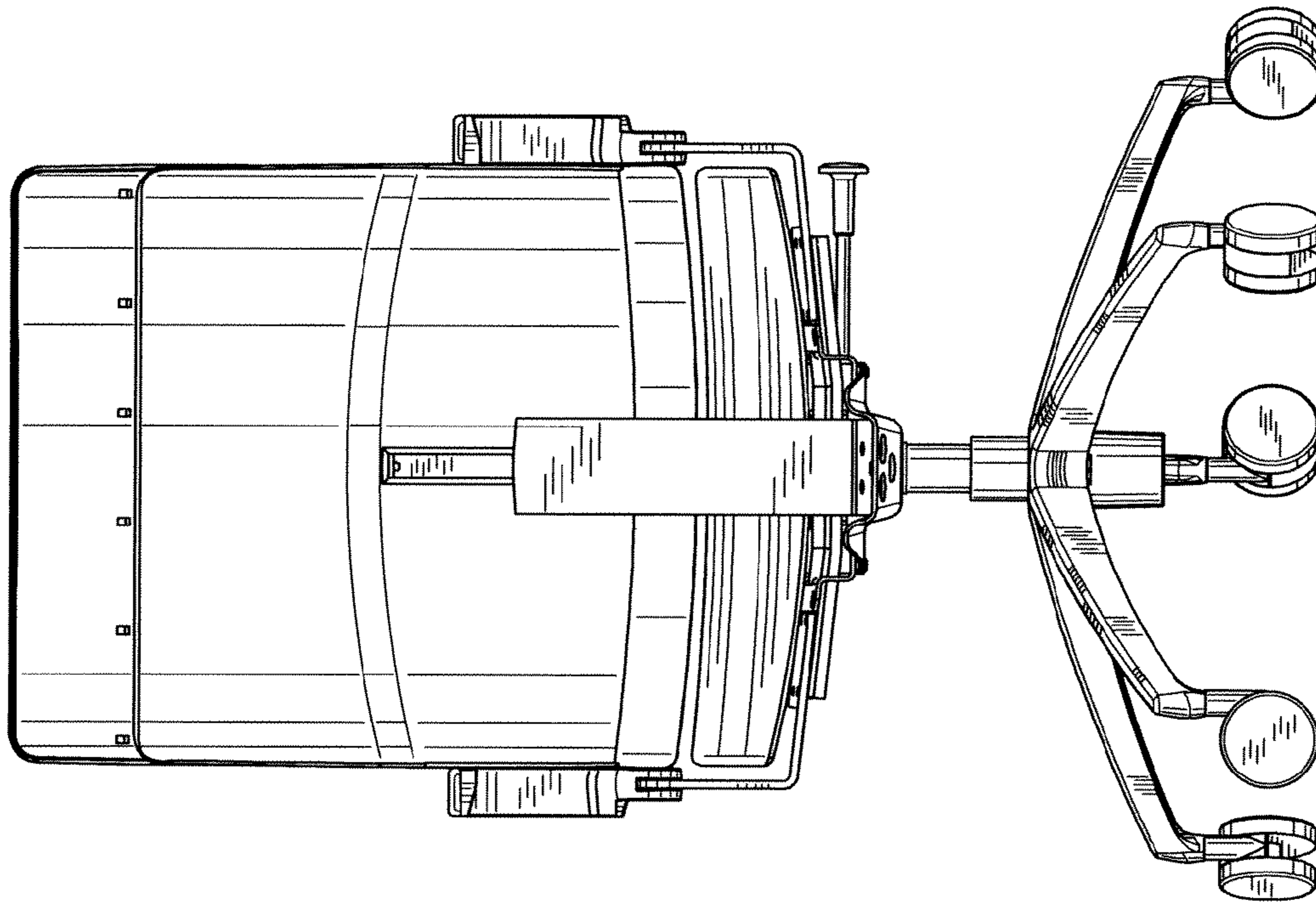


FIG. 6

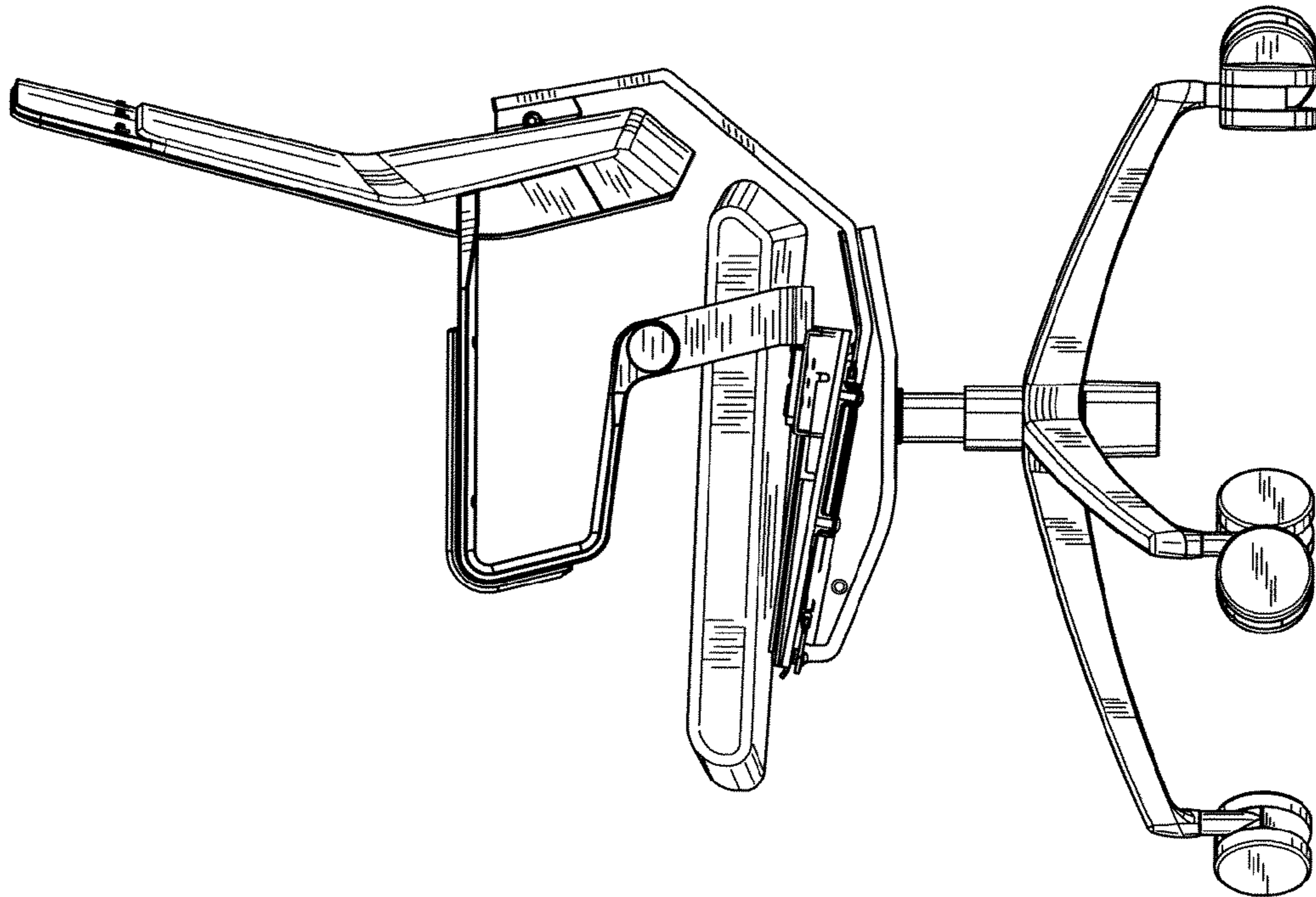


FIG. 5

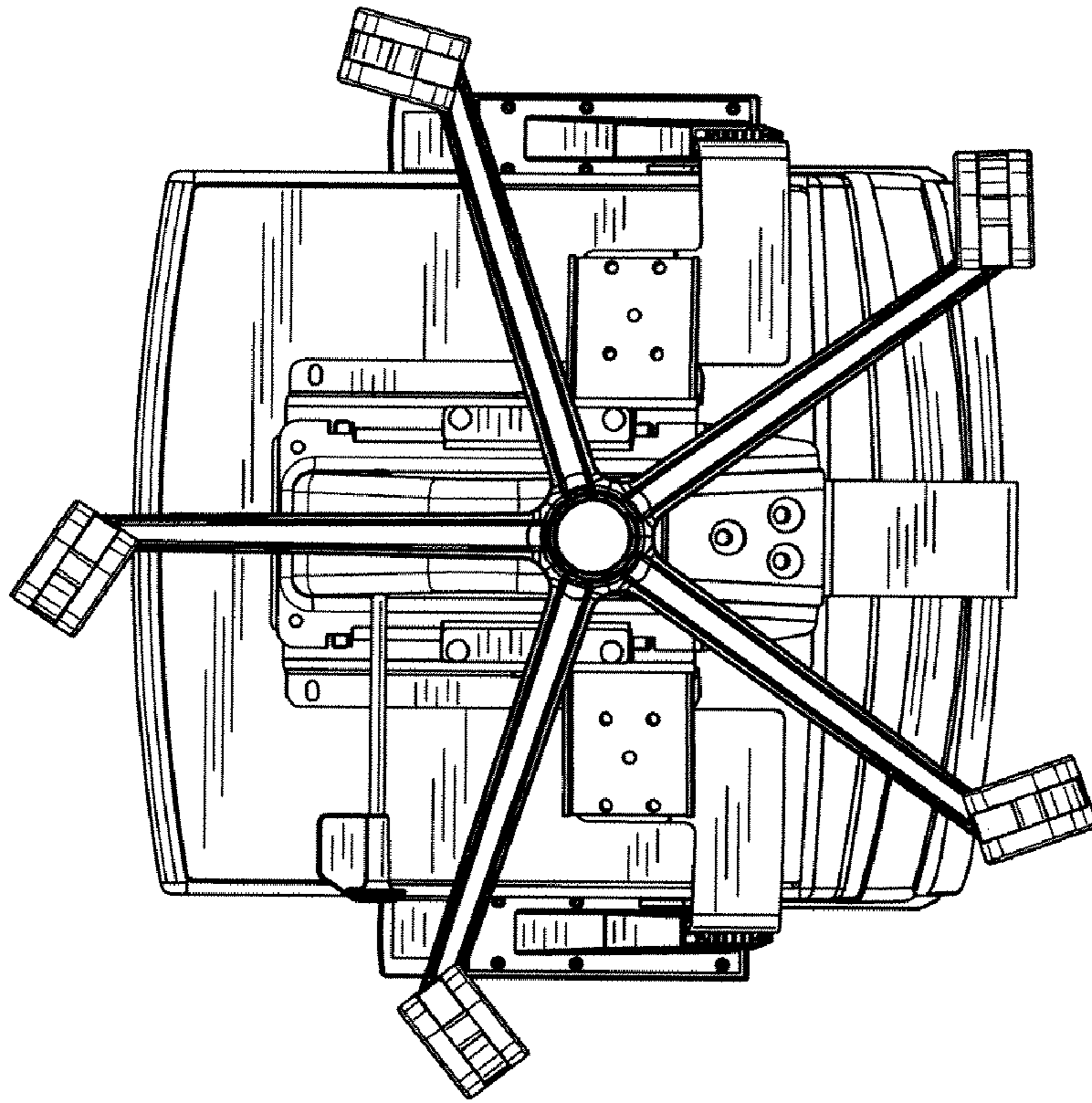


FIG. 8

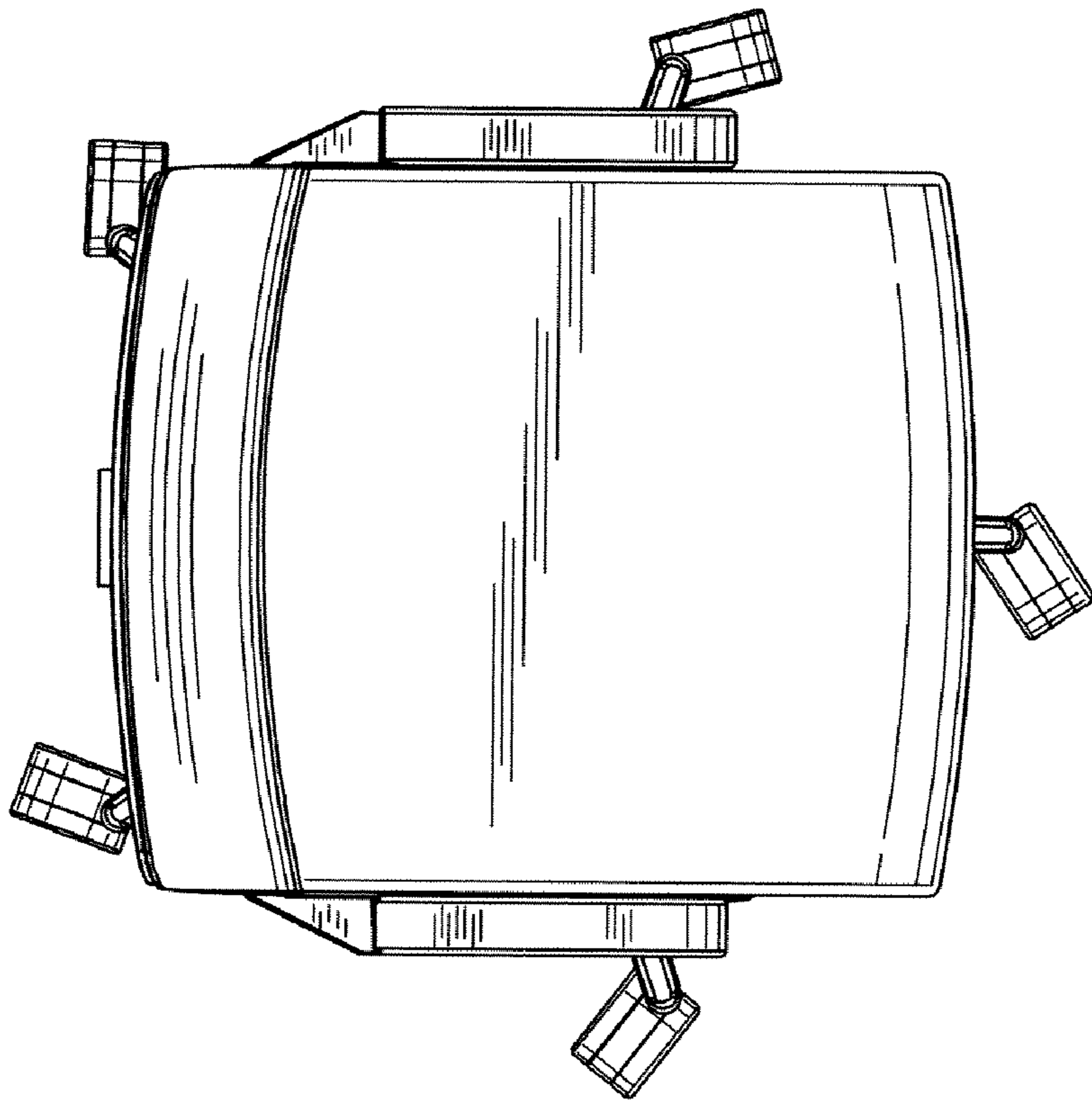


FIG. 7