



US00D589270S

(12) **United States Design Patent**
Siomades

(10) **Patent No.:** **US D589,270 S**
(45) **Date of Patent:** **** Mar. 31, 2009**

(54) **OAK LEAF CHAIR**

(76) Inventor: **Lorianne Siomades**, 6091 Rain Dance Trail, Littleton, CO (US) 80125

(**) Term: **14 Years**

(21) Appl. No.: **29/326,526**

(22) Filed: **Oct. 20, 2008**

(51) **LOC (9) Cl.** **06-01**

(52) **U.S. Cl.** **D6/358; D6/363**

(58) **Field of Classification Search** D6/334–336, D6/345, 351, 358, 363, 374, 375, 376, 379, D6/380, 500–502; 297/181, 445.1, 446.1, 297/451.21; D9/658; D10/9; D21/628; D1/115

See application file for complete search history.

(56) **References Cited**

U.S. PATENT DOCUMENTS

- D262,245 S * 12/1981 Kane D6/358
- D289,501 S * 4/1987 Sandy D10/9
- D305,136 S * 12/1989 Blasiman D21/628
- D326,368 S * 5/1992 Vilmar-Matthews D6/363
- D340,359 S * 10/1993 Caldwell D6/358
- D343,302 S * 1/1994 Caldwell D6/358
- D351,952 S * 11/1994 Weiss D6/376
- D356,739 S * 3/1995 Ju D10/9
- D426,974 S * 6/2000 Lin D6/376
- D429,632 S * 8/2000 Del Bon D9/658
- D434,917 S * 12/2000 Yang D6/358
- D465,346 S * 11/2002 Lin D6/376

OTHER PUBLICATIONS

- U.S. Appl. No. 29/326,518, filed Oct. 20, 2008, Siomades.
- U.S. Appl. No. 29/326,520, filed Oct. 20, 2008, Siomades.
- U.S. Appl. No. 29/326,522, filed Oct. 20, 2008, Siomades.
- U.S. Appl. No. 29/326,525, filed Oct. 20, 2008, Siomades.
- U.S. Appl. No. 29/326,528, filed Oct. 20, 2008, Siomades.

* cited by examiner

Primary Examiner—Mimosa De
(74) *Attorney, Agent, or Firm*—Sheridan Ross P.C.

(57) **CLAIM**

The ornamental design for an oak leaf chair, as shown and described.

DESCRIPTION

FIG. 1 is a front perspective view of the oak leaf chair, showing my new design;

FIG. 2 is a top plan view of the invention illustrated in FIG. 1;

FIG. 3 is a front elevation view of the invention illustrated in FIG. 1;

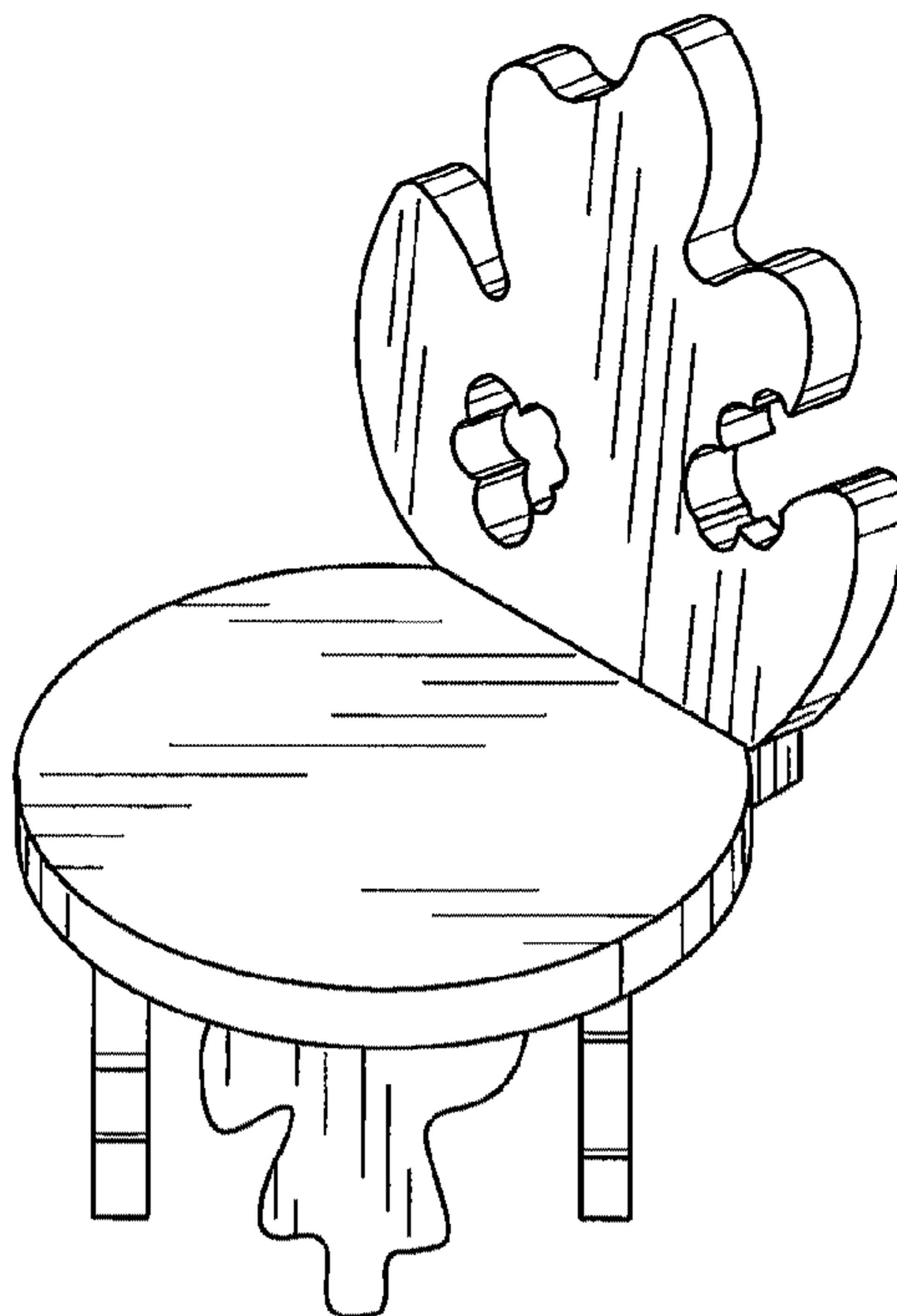
FIG. 4 is a left side elevation view of the invention illustrated in FIG. 1;

FIG. 5 is a right side elevation view of the invention illustrated in FIG. 1;

FIG. 6 is a rear elevation view of the invention illustrated in FIG. 1; and,

FIG. 7 is a bottom plan view of the invention illustrated in FIG. 1.

1 Claim, 2 Drawing Sheets



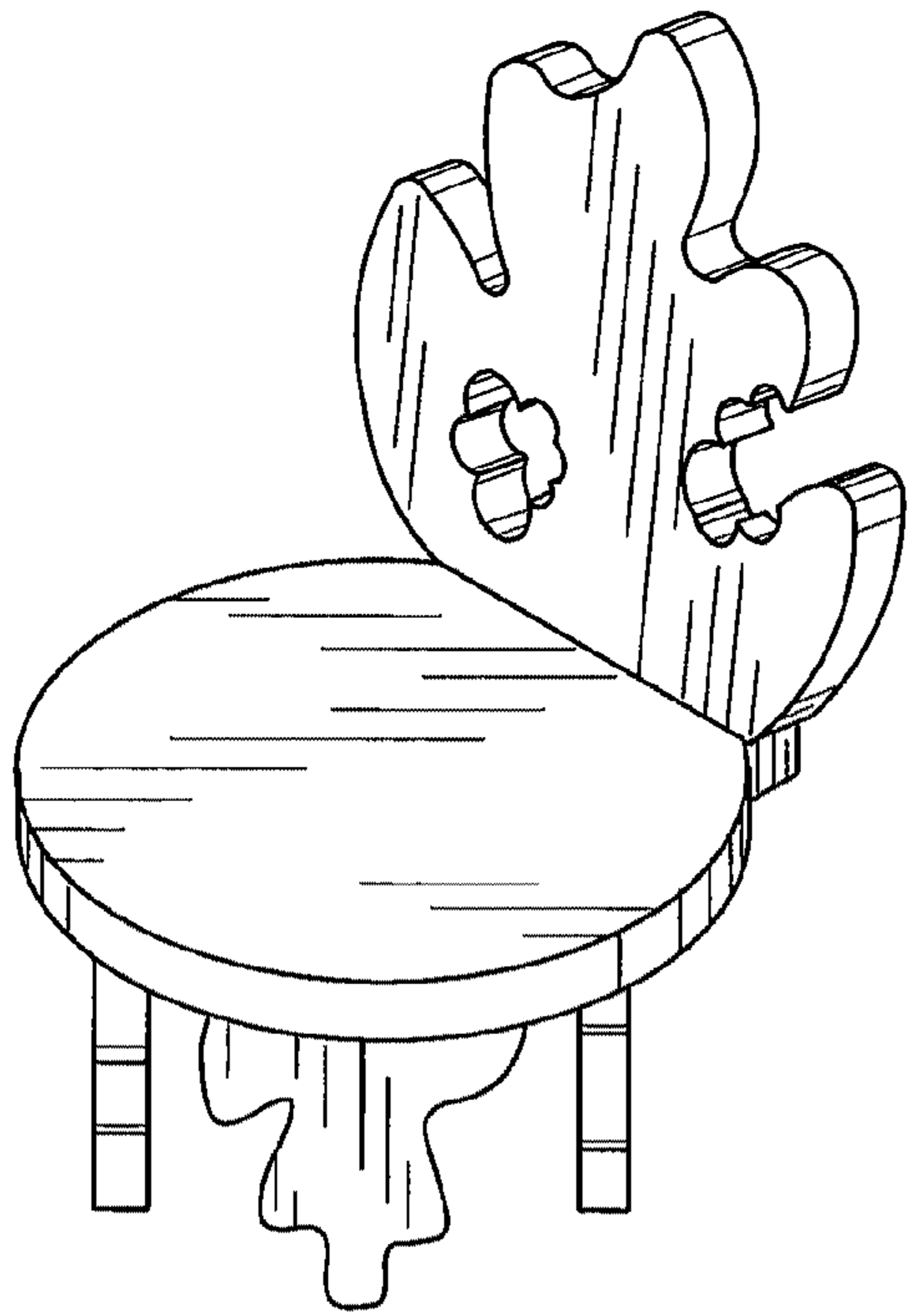


Fig. 1

Fig. 2

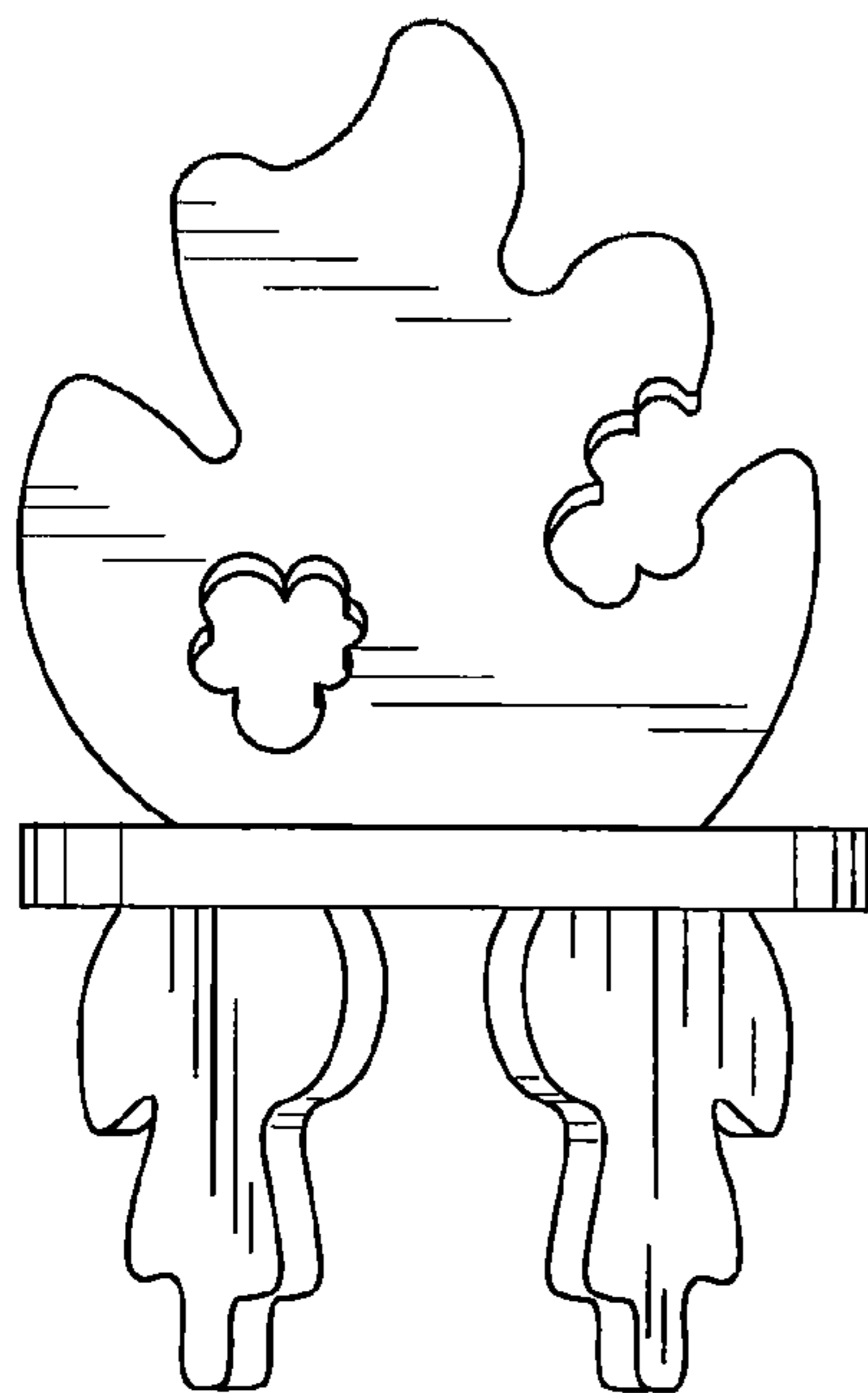
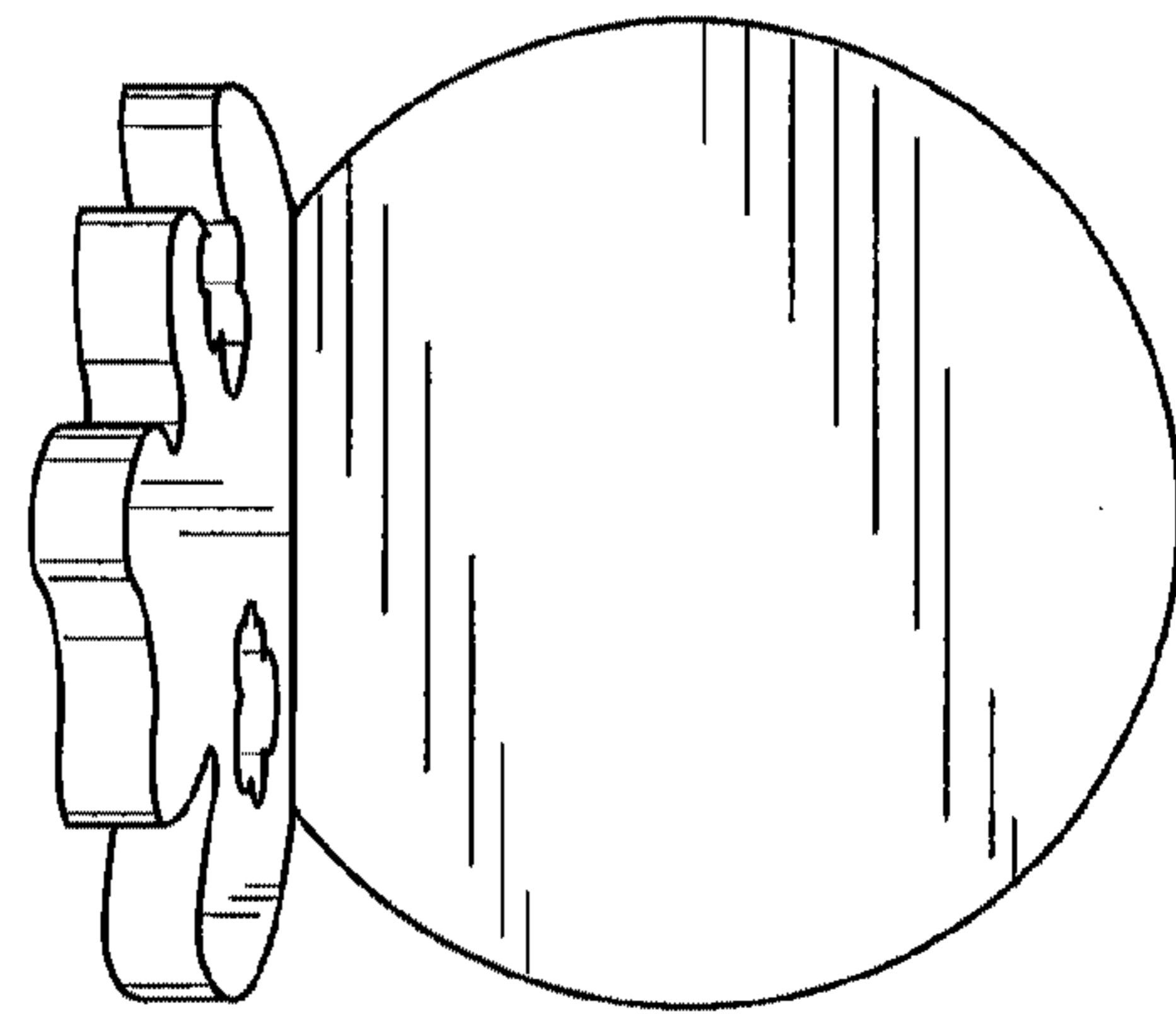


Fig. 3

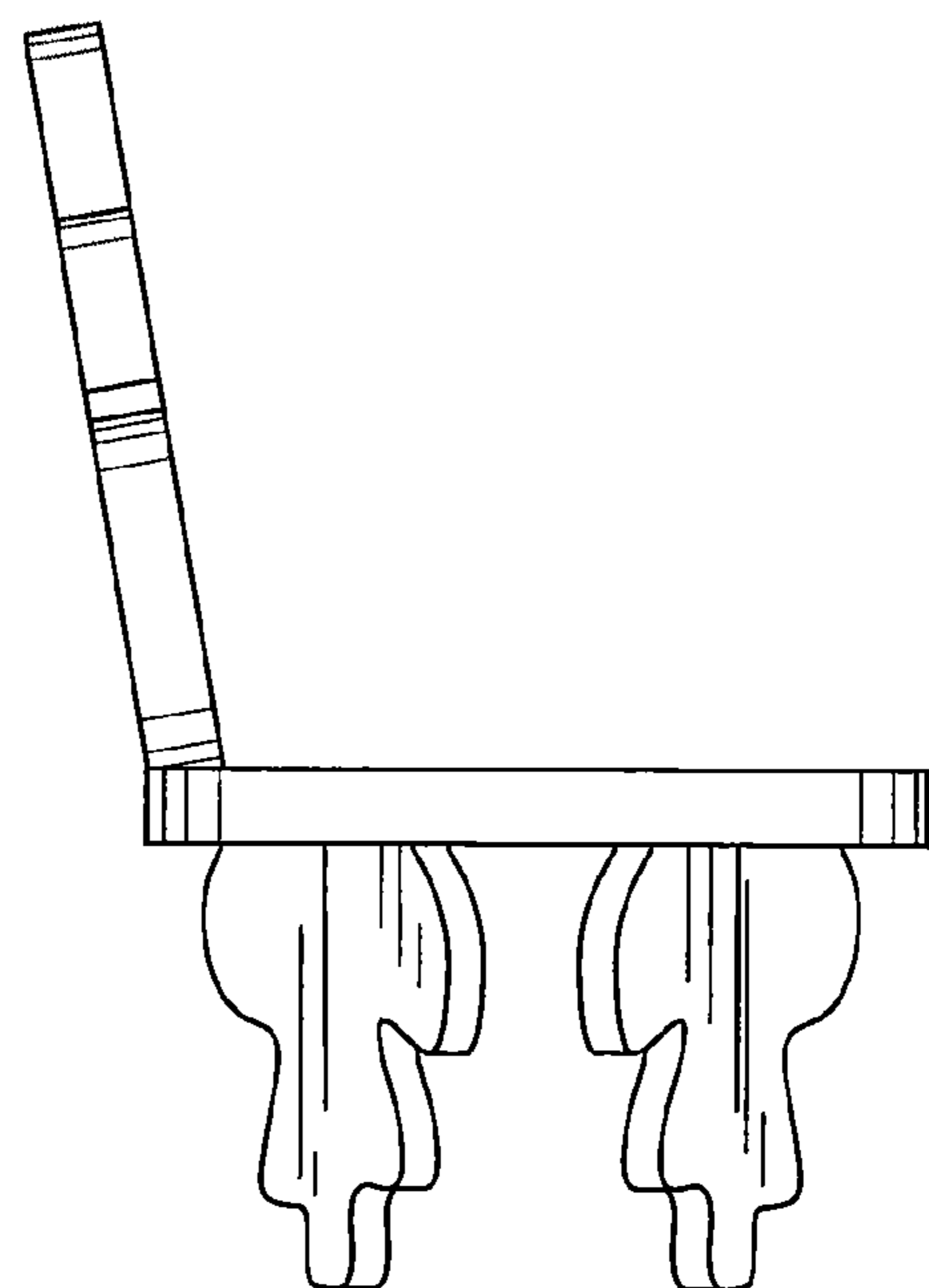


Fig. 4

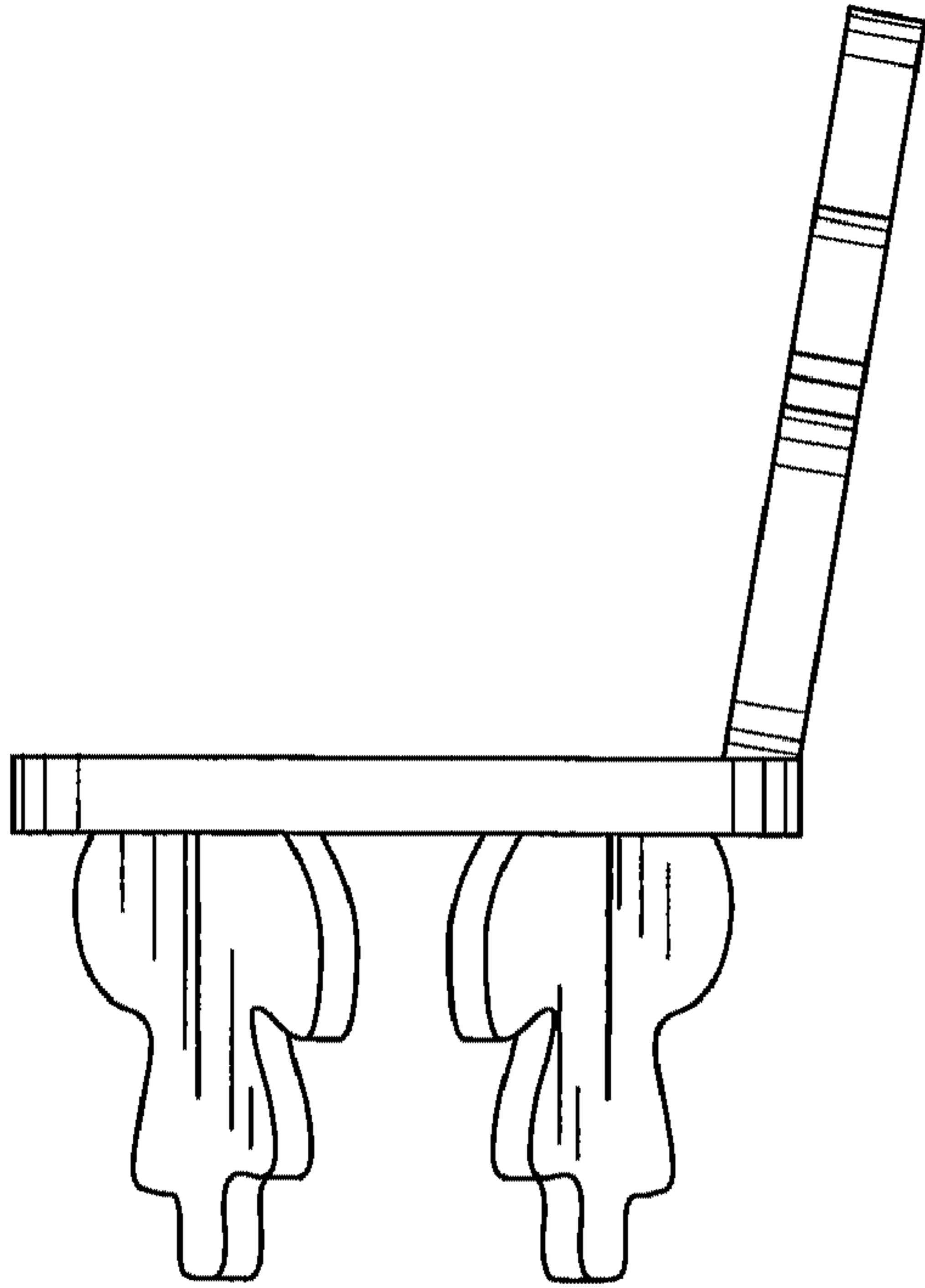


Fig. 5

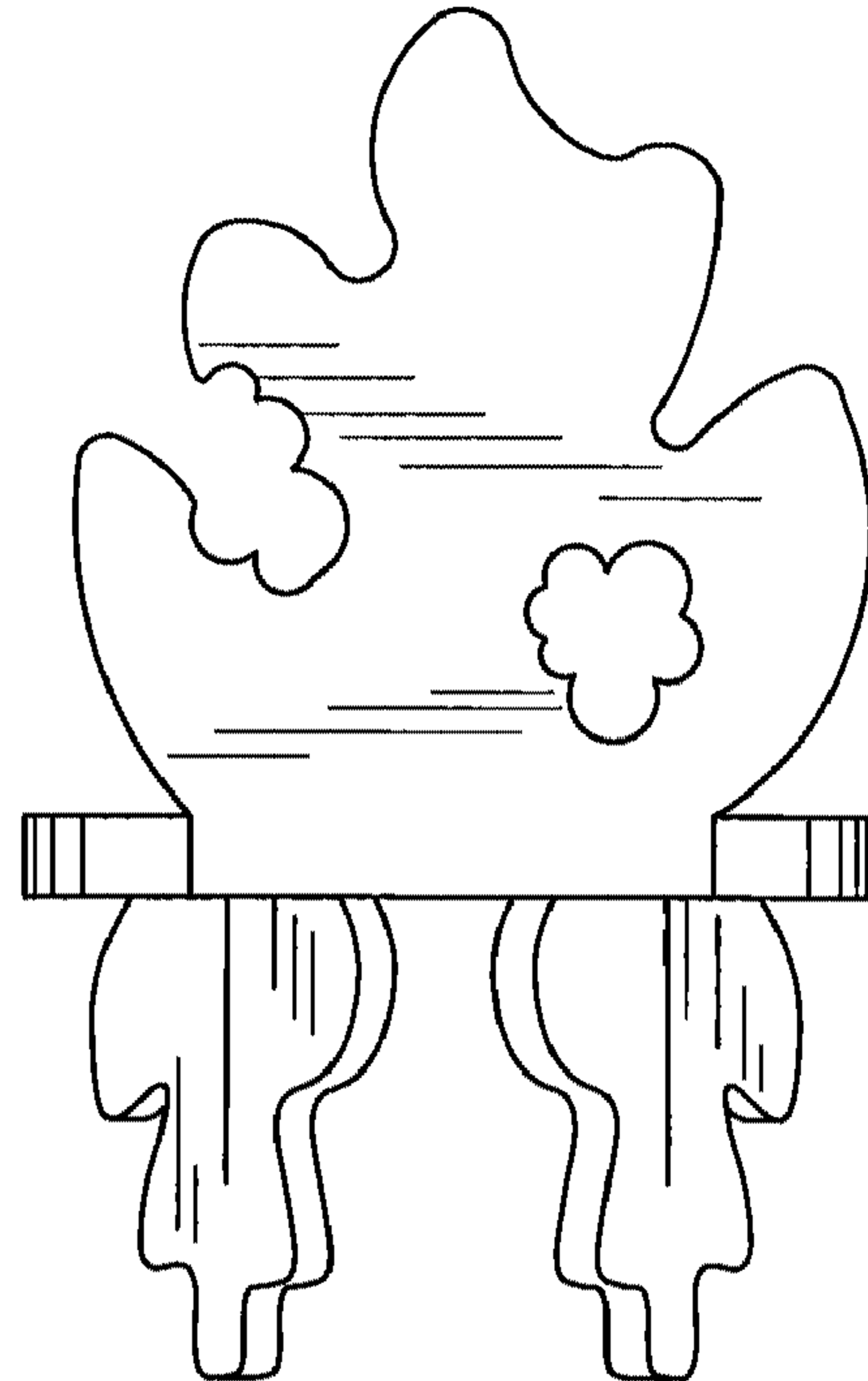


Fig. 6

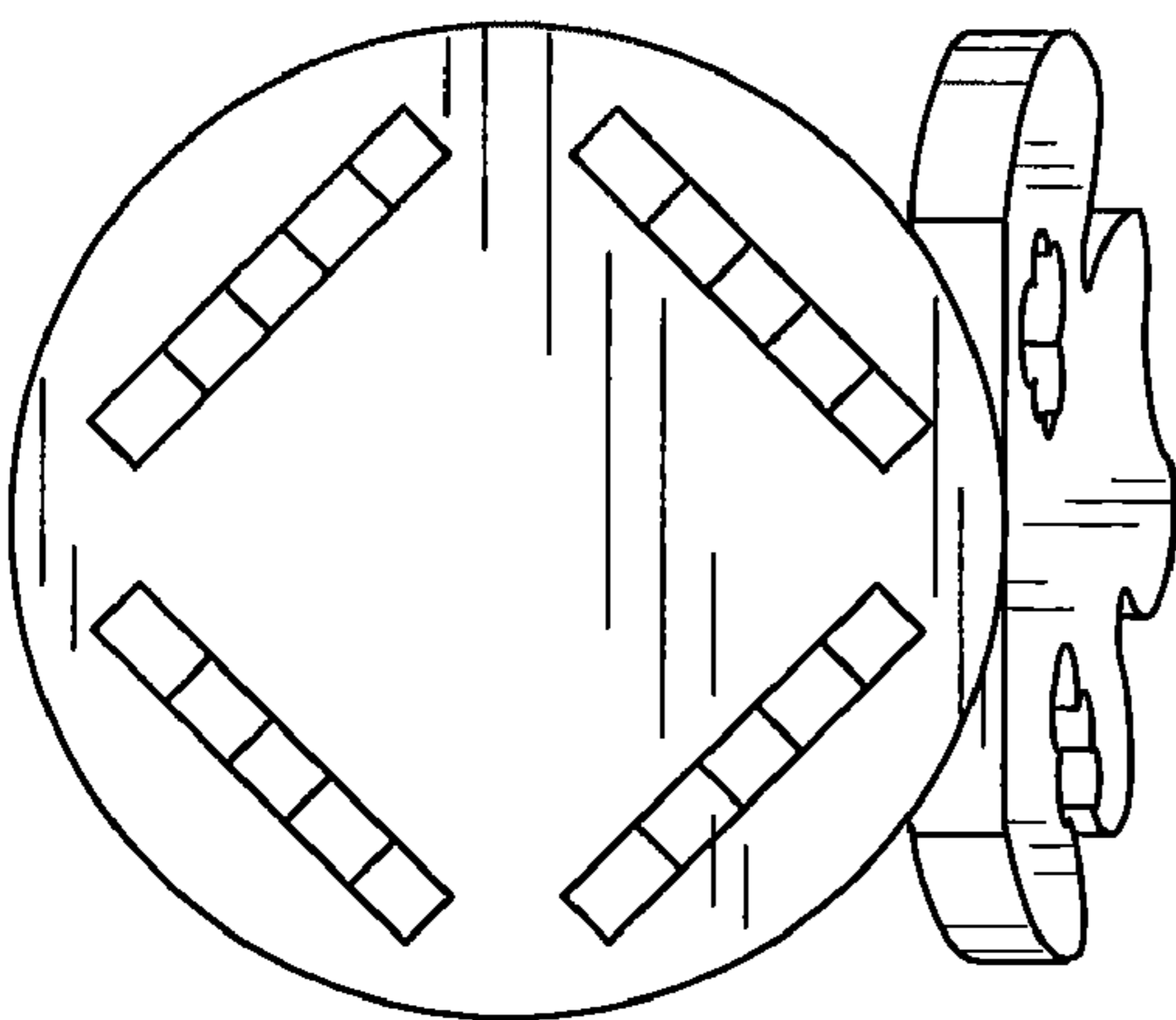


Fig. 7