



US00D589267S

(12) **United States Design Patent**  
**Pitot**

(10) **Patent No.:** **US D589,267 S**  
(45) **Date of Patent:** **\*\* Mar. 31, 2009**

(54) **OBLONG FOLDING MIRROR**

(76) Inventor: **Bruce Pitot**, 83 Bridle Path La.,  
Mahwah, NJ (US) 07430

(\*\*) Term: **14 Years**

(21) Appl. No.: **29/317,074**

(22) Filed: **Apr. 22, 2008**

(51) **LOC (9) Cl.** ..... **06-07**

(52) **U.S. Cl.** ..... **D6/308**

(58) **Field of Classification Search** ..... D6/300-314;  
40/700, 711, 714-716, 722, 725, 735, 745,  
40/747, 765, 780, 790, 798; 359/383, 871,  
359/872; 248/466, 474; D28/64.1, 78, 83;  
132/301; D9/420; D3/294

See application file for complete search history.

(56) **References Cited**

**U.S. PATENT DOCUMENTS**

2,056,935	A *	10/1936	Esterow et al.	.....	132/301
D163,481	S *	5/1951	Rauh	.....	D6/308
D270,199	S *	8/1983	Se-Kit	.....	D28/78
D276,794	S *	12/1984	Urion	.....	D9/420
D442,371	S *	5/2001	Eberts	.....	D6/312
D454,701	S *	3/2002	Eric	.....	D6/308
D462,809	S *	9/2002	LaSpina et al.	.....	D28/78
D470,665	S *	2/2003	Harris et al.	.....	D6/312
D485,015	S *	1/2004	Chue	.....	D28/64.1
D504,743	S *	5/2005	Kostow	.....	D28/78
D546,564	S *	7/2007	Lo et al.	.....	D6/300
D565,842	S *	4/2008	Falcone	.....	D3/294

D576,770 S \* 9/2008 Mascotte et al. .... D28/83

\* cited by examiner

*Primary Examiner*—Caron Veynar

*Assistant Examiner*—Sydney R Buffalow

(74) *Attorney, Agent, or Firm*—Pearne & Gordon LLP

(57) **CLAIM**

The ornamental design for an oblong folding mirror, as shown and described.

**DESCRIPTION**

FIG. 1 is a perspective view of the mirror in an open position; FIG. 2 is a front elevation view of the mirror with the mirror in the position of FIG. 1;

FIG. 3 is a top plan view of the mirror with the mirror in the position of FIG. 1;

FIG. 4 is a right side elevation view of the mirror in the position of FIG. 1;

FIG. 5 is a left side elevation view of the mirror in the position of FIG. 1;

FIG. 6 is a rear elevation view of the mirror in the position of FIG. 1;

FIG. 7 is a bottom plan view of the mirror in the position of FIG. 1;

FIG. 8 is a perspective view of the mirror in another open position; and,

FIG. 9 is a perspective view of the mirror in a closed position.

**1 Claim, 4 Drawing Sheets**

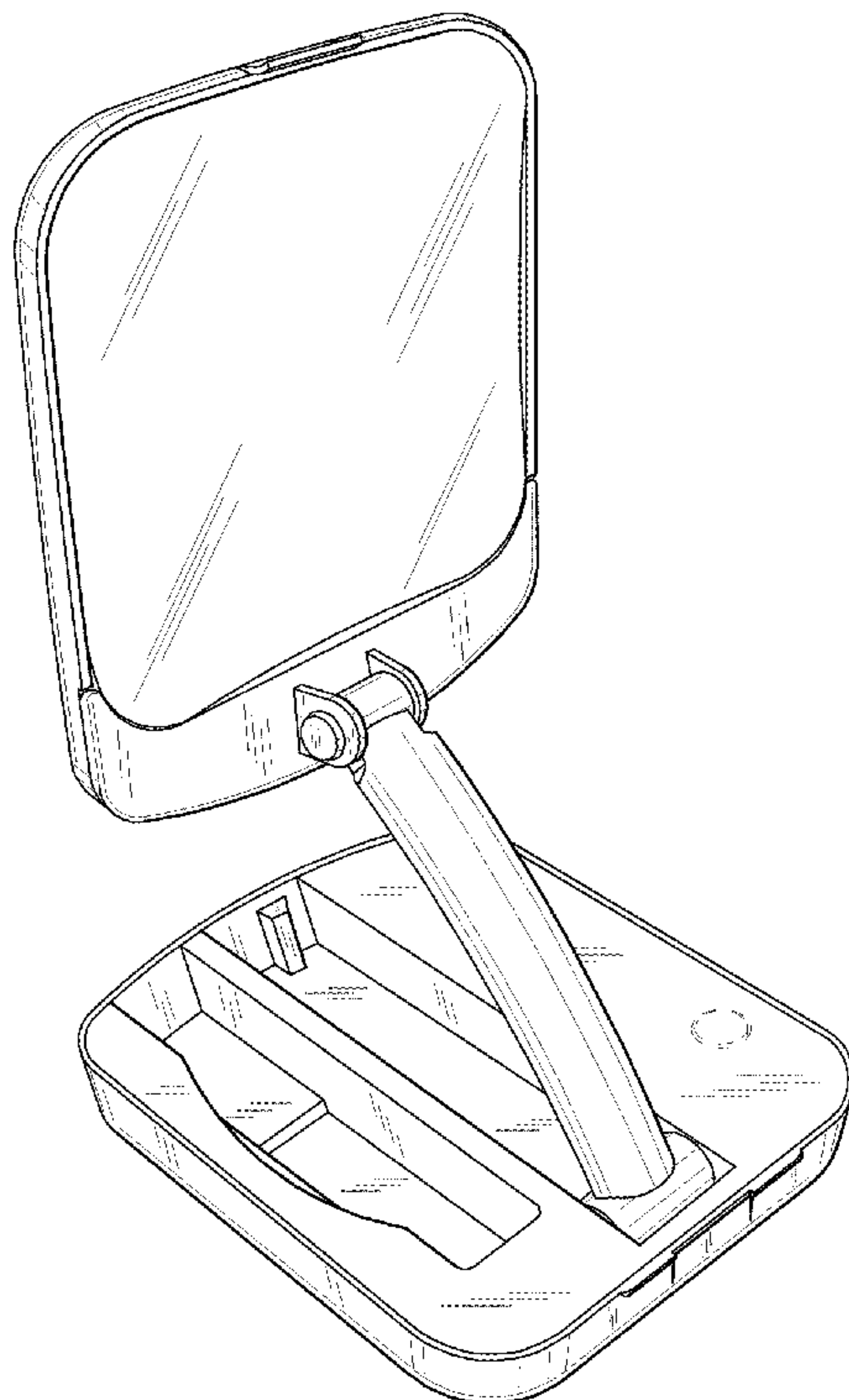
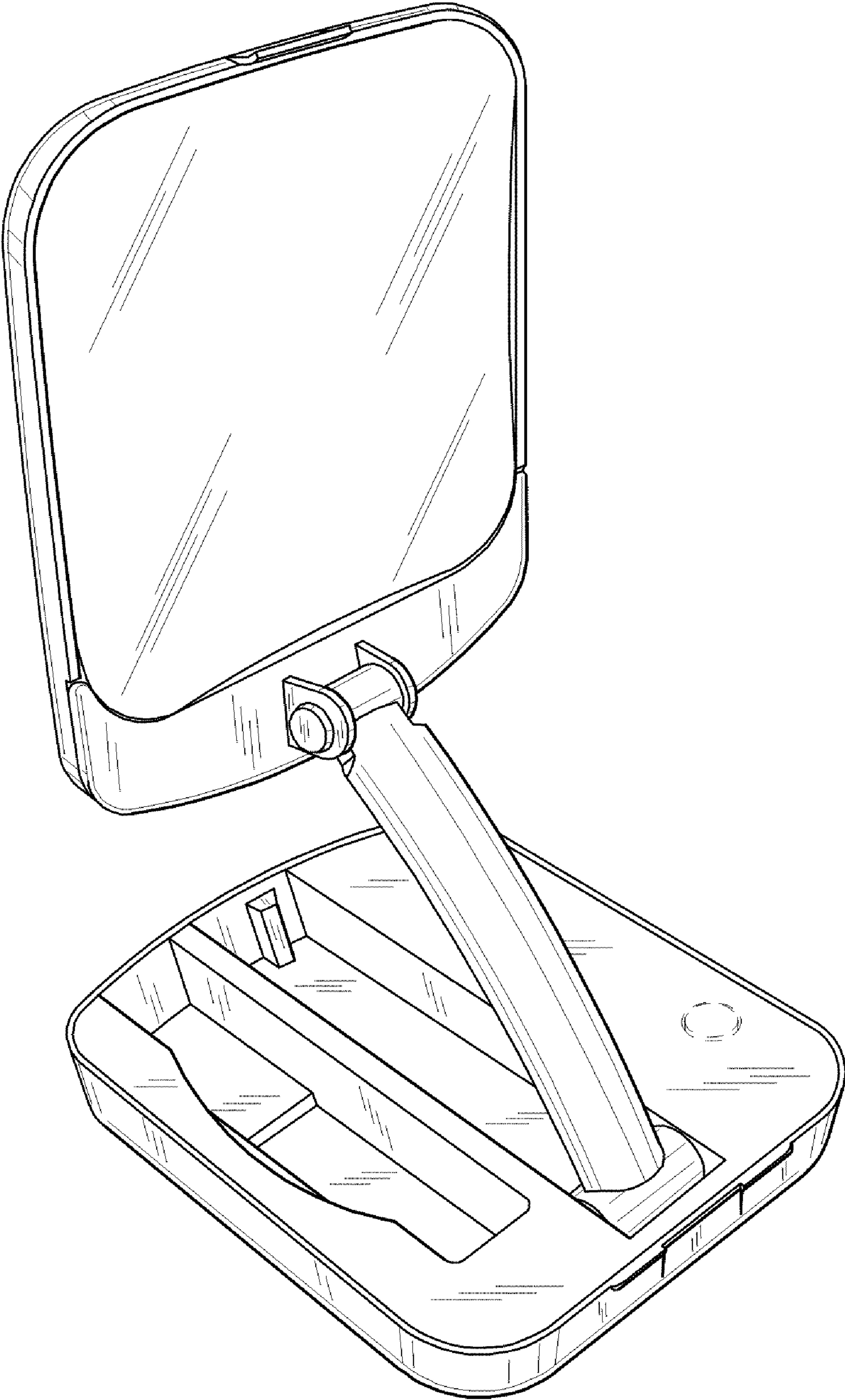


FIG. 1



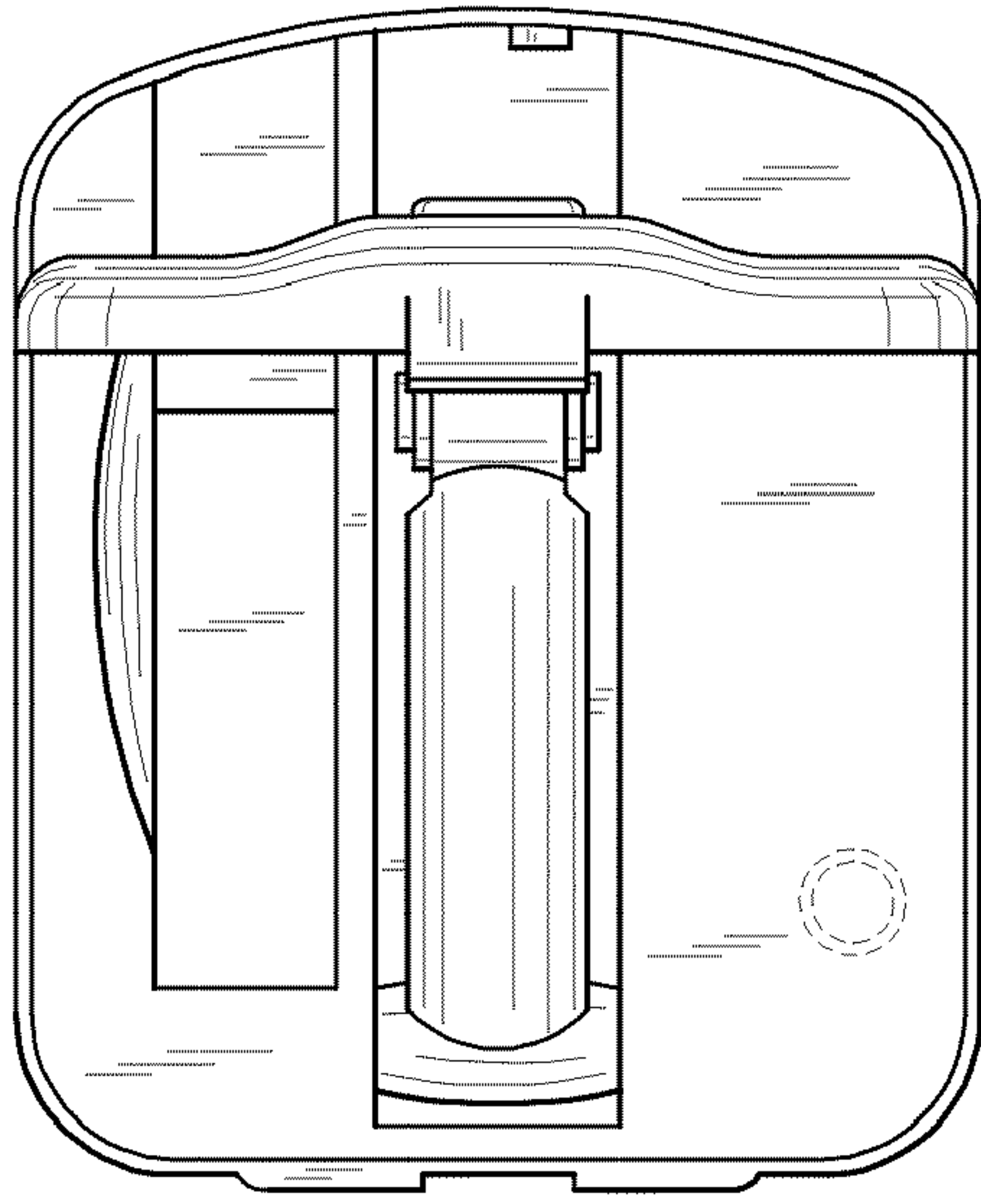


FIG. 3

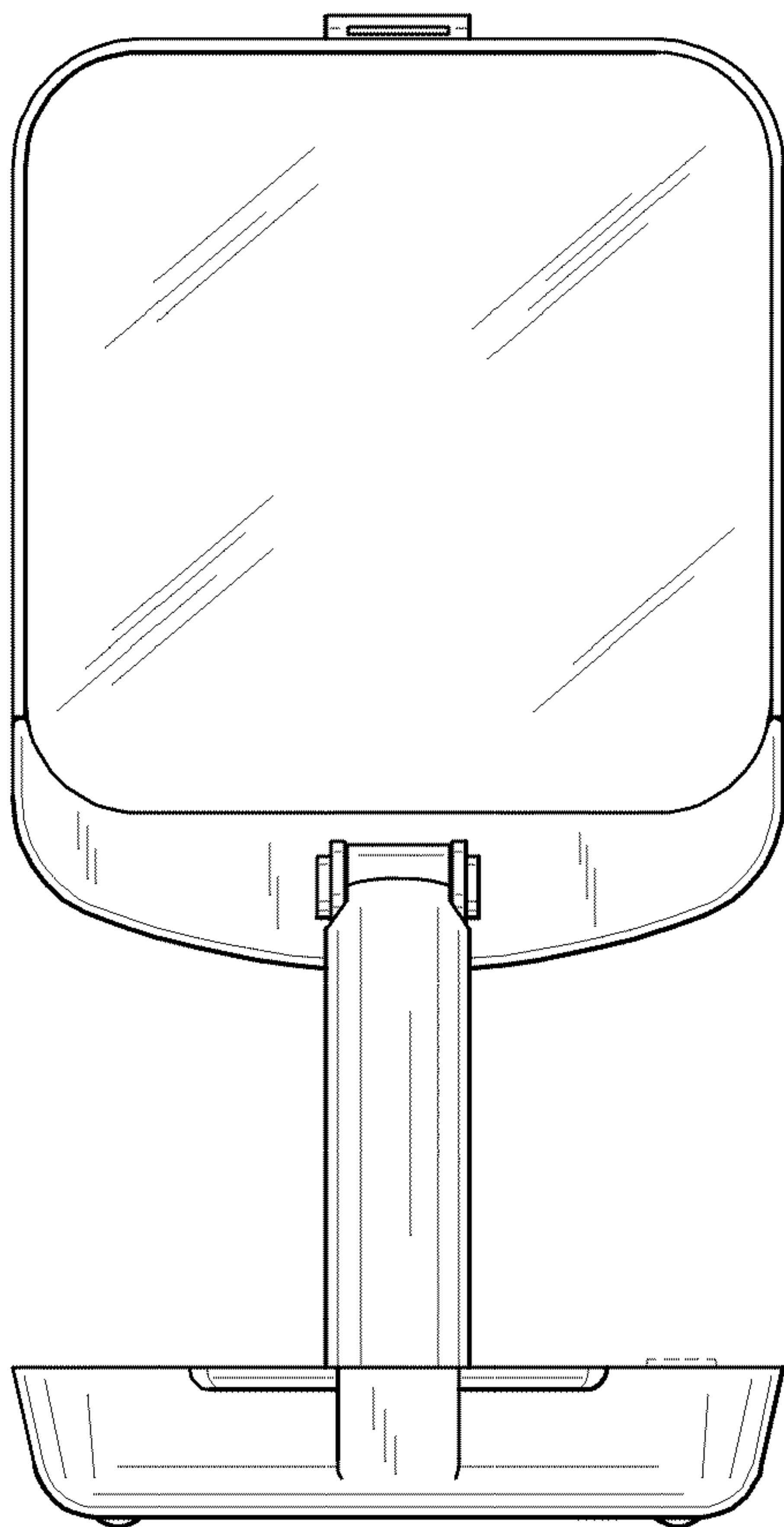


FIG. 2

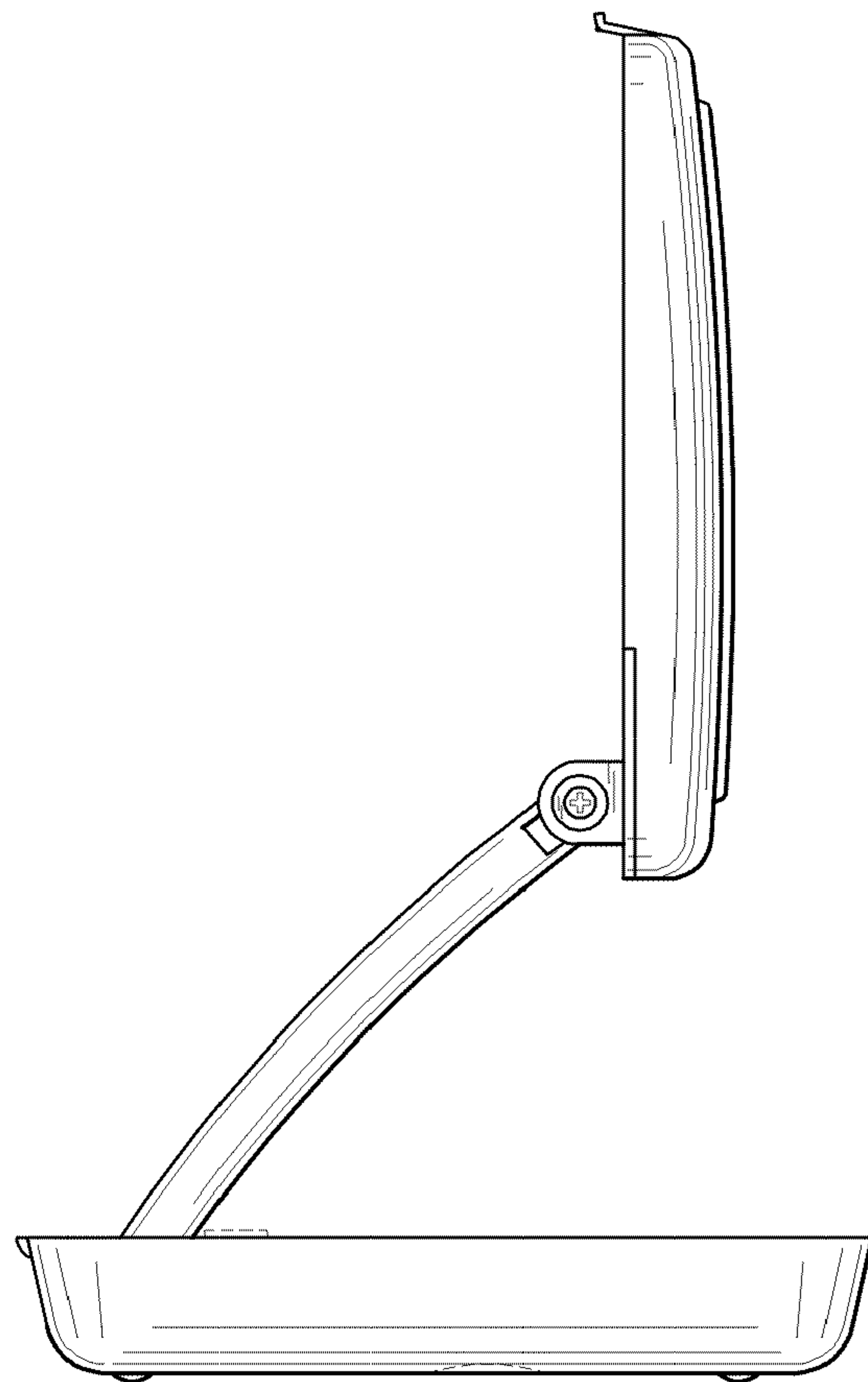


FIG. 4



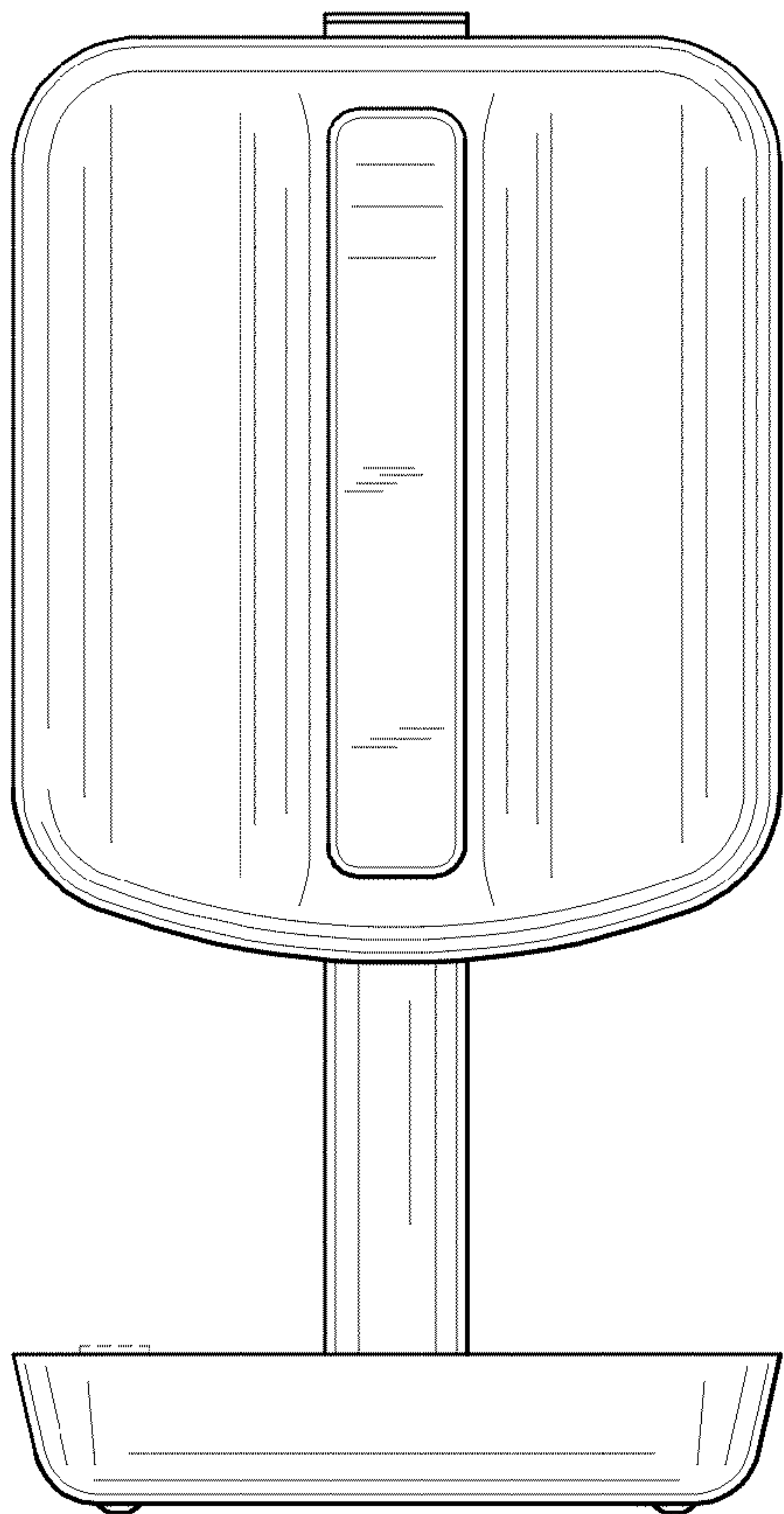


FIG. 6

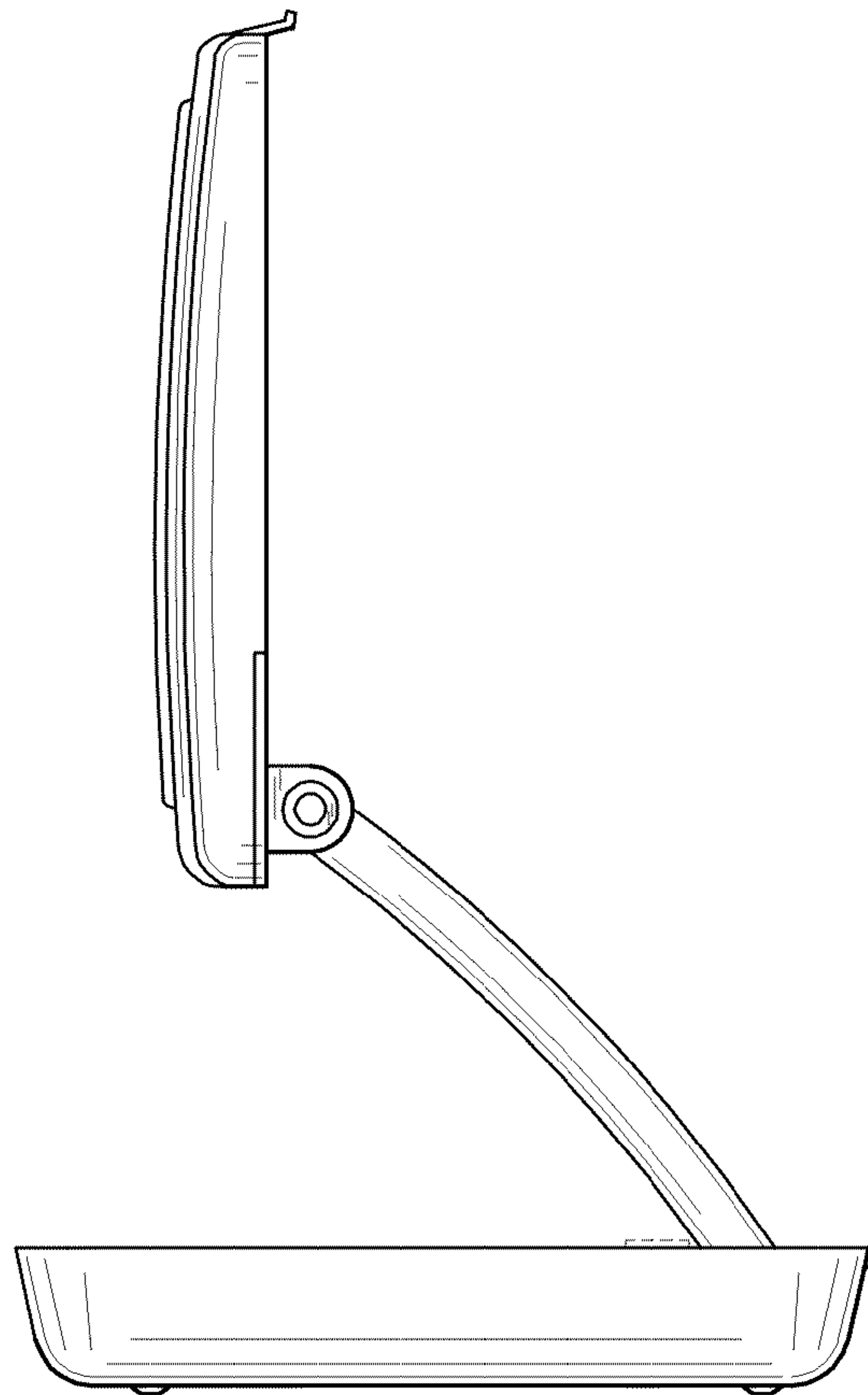


FIG. 5

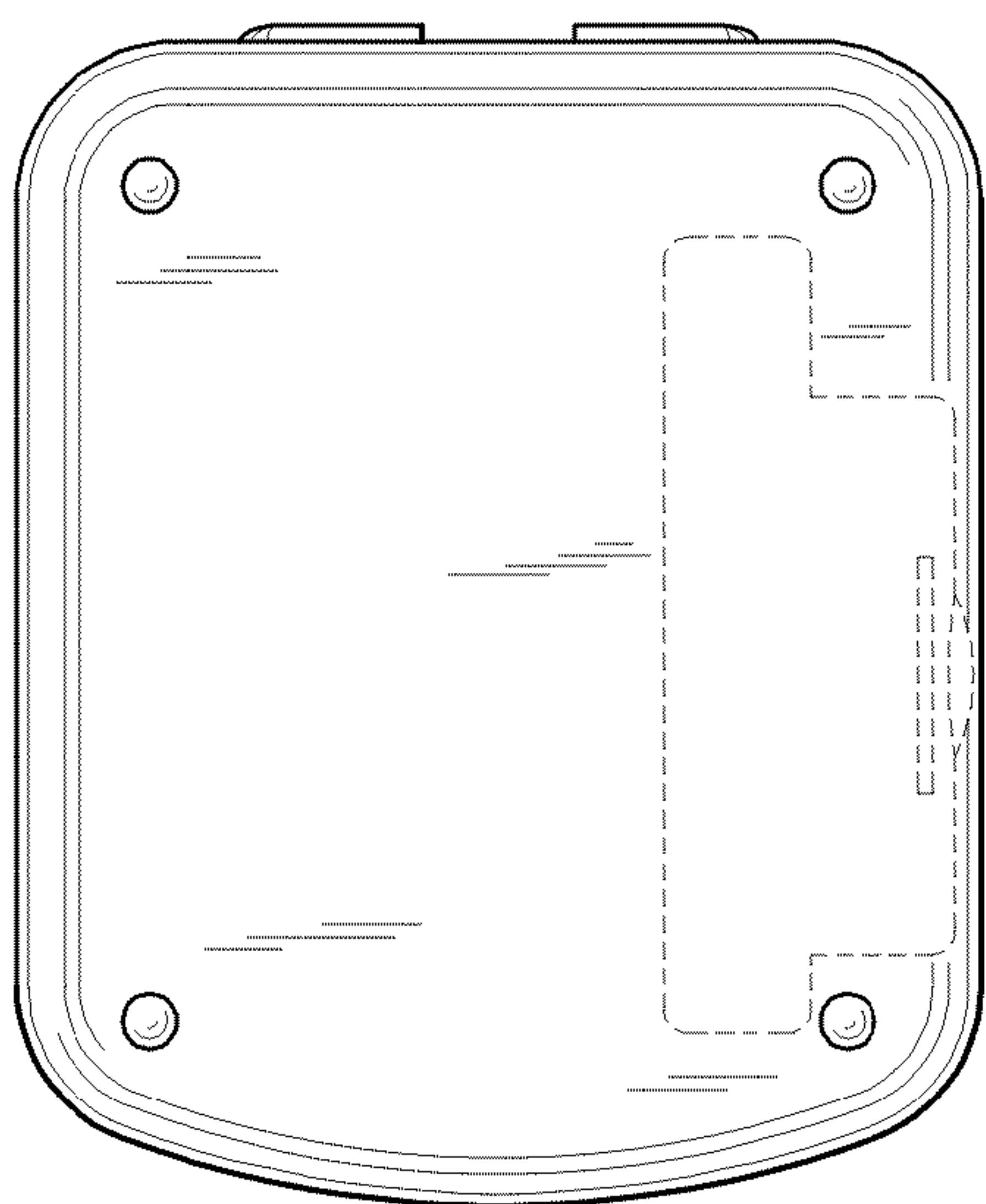


FIG. 7

FIG. 9

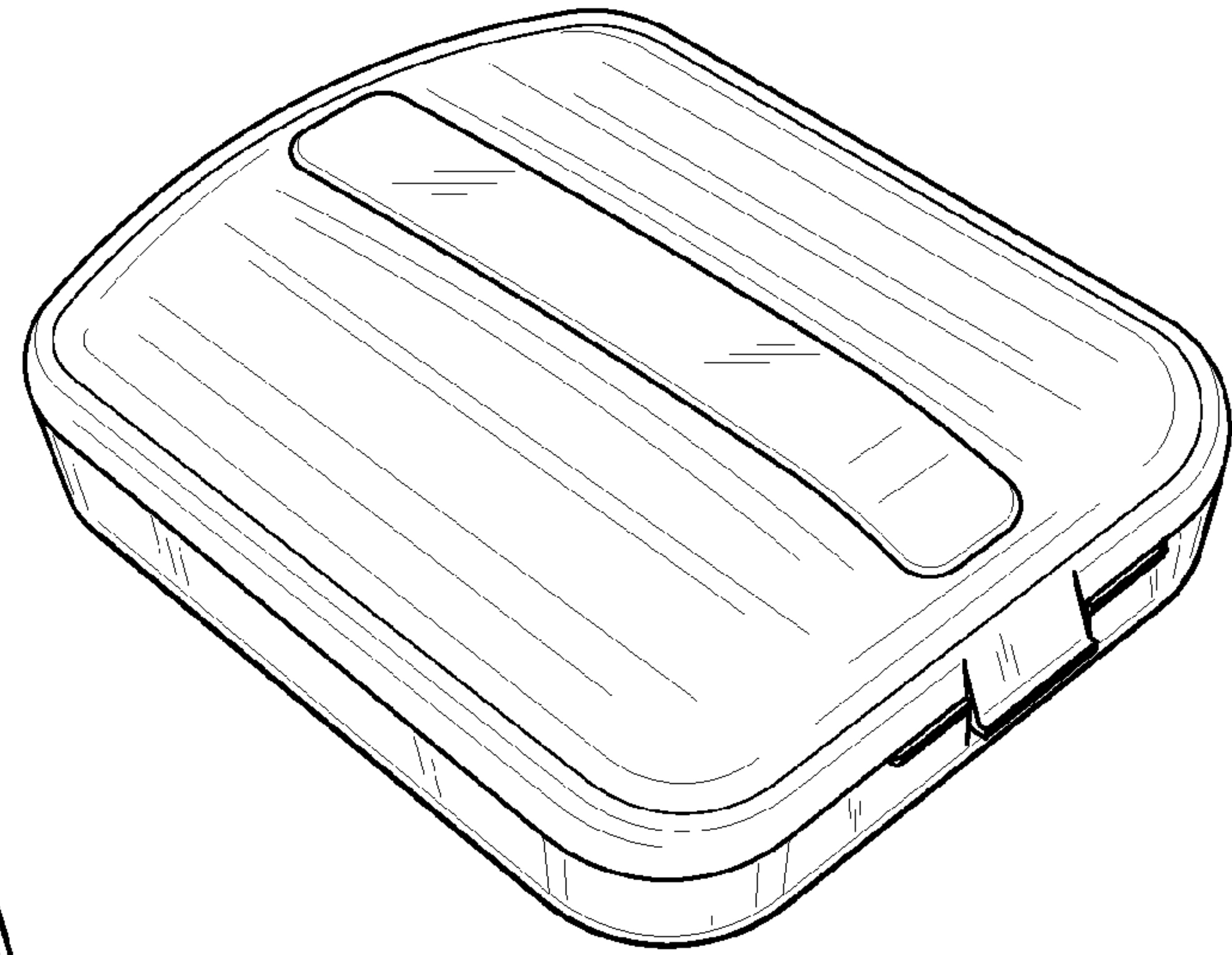


FIG. 8

