



US00D589266S

(12) **United States Design Patent**  
**Domack et al.**

(10) **Patent No.:** **US D589,266 S**  
(45) **Date of Patent:** **\*\* Mar. 31, 2009**

(54) **MIRROR**

(75) Inventors: **Randy D. Domack**, Trempealeau, WI (US); **Terry A. Everson**, Blair, WI (US)

(73) Assignee: **Ashley Furniture Industries, Inc.**, Arcadia, WI (US)

(\*\*) Term: **14 Years**

(21) Appl. No.: **29/296,091**

(22) Filed: **Oct. 12, 2007**

(51) **LOC (9) Cl.** ..... **06-04**

(52) **U.S. Cl.** ..... **D6/300**

(58) **Field of Classification Search** ..... D6/300-314,  
D6/444; 40/700

See application file for complete search history.

(56) **References Cited**

**U.S. PATENT DOCUMENTS**

D448,578 S	10/2001	McDaniel et al.
D460,864 S	7/2002	Stanton
D469,261 S	1/2003	Stanton
D484,319 S	12/2003	Domack
D485,079 S	1/2004	Warren et al.
D488,624 S	4/2004	Wanek et al.
D498,594 S	11/2004	Mohundro
D505,793 S	6/2005	Risdon et al.
D514,823 S	2/2006	Domack
D524,060 S	7/2006	Schmitt
D524,554 S	7/2006	Schmitt
D524,556 S	7/2006	Schmitt
D525,438 S	7/2006	Schmitt
D526,130 S	8/2006	Mohundro
D543,706 S	6/2007	Domack et al.

**OTHER PUBLICATIONS**

Brown Carved T634-10, Ashley Furniture Industries, Inc., Spring Catalog, vol. 5, Series 1, Spring 2003, p. 200.

Carved Cherry T633-10, Ashley Furniture Industries, Inc., Spring Catalog, vol. 5, Series 1, Spring 2003, p. 200.  
Pheasant Run B452-31-36-49-67-64-98-93, Ashley Furniture Industries, Inc., Spring Catalog, vol. 5, Series 1, Spring 2003, p. 289.  
Chateau Frontenac B533-31-36-49-57-54-96-93, Ashley Furniture Industries, Inc., Spring Catalog, vol. 5, Series 1, Spring 2003, p. 309.  
Monogram Drive T923-40-10, Ashley Furniture Industries, Inc., Spring Catalog, vol. 5, Series 1, Spring 2003, p. 383.  
Barrington Heights T897-40-10-SW, Ashley Furniture Industries, Inc., Spring Catalog, vol. 5, Series 1, Spring 2003, p. 383.  
Bayport B514-31-36-49-57-54-96-92, Ashley Furniture Industries, Inc., vol. 6, Series 1, 2004, p. 357.  
Oak Vanity C816-10-30, Ashley Furniture Industries, Inc., vol. 6, Series 1, 2004, p. 368.  
Rutherford T883-40-10, Ashley Furniture Industries, Inc., vol. 6, Series 1, 2004, p. 457.

*Primary Examiner*—Caron Veynar

*Assistant Examiner*—Sydney R Buffalow

(74) *Attorney, Agent, or Firm*—Patterson, Thunte, Skaar & Christensen, P.A.

(57) **CLAIM**

The ornamental design for a mirror, as shown and described.

**DESCRIPTION**

FIG. 1 is a front corner perspective view of a mirror according to an embodiment of the invention. The view from the adjacent front corner being a mirror image thereof.

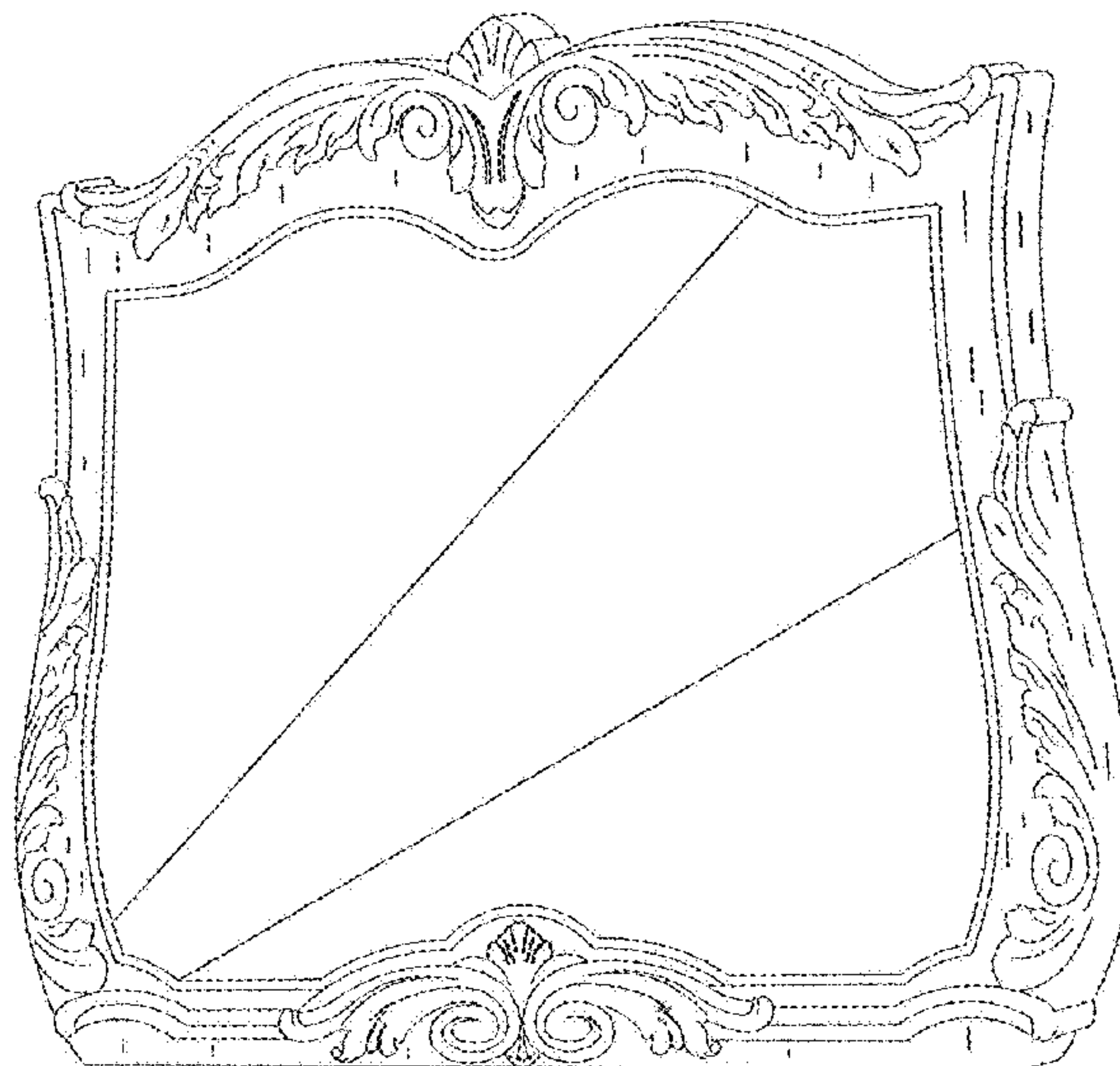
FIG. 2 is a front elevational view of a mirror according to an embodiment of the invention.

FIG. 3 is a side elevational view of a mirror according to an embodiment of the invention. The view from the opposite side being a mirror image thereof; and,

FIG. 4 is a top plan view of a mirror according to an embodiment of the invention.

The backside of the mirror is not shown and forms no part of the claimed invention.

**1 Claim, 2 Drawing Sheets**



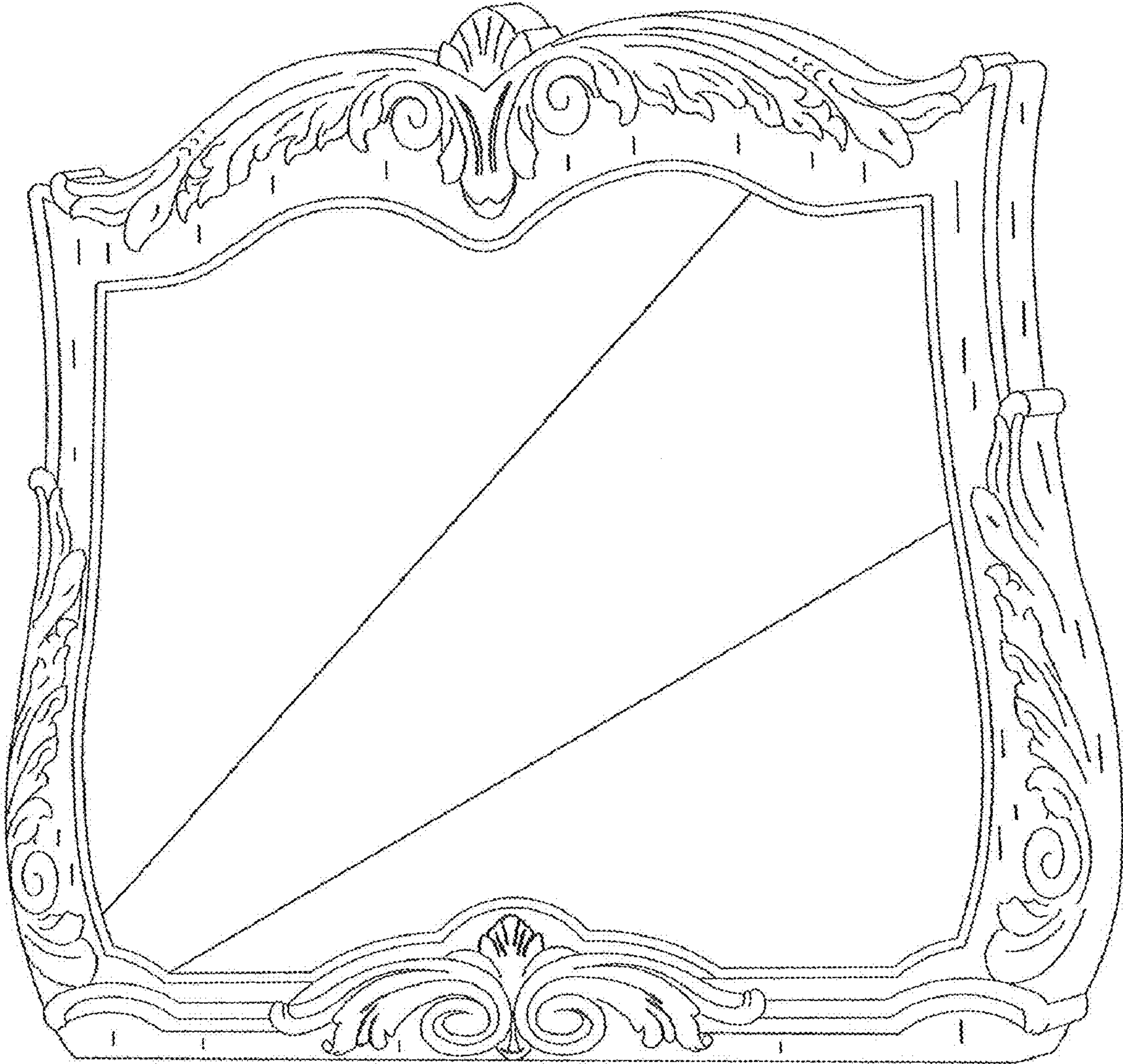


FIG. 1



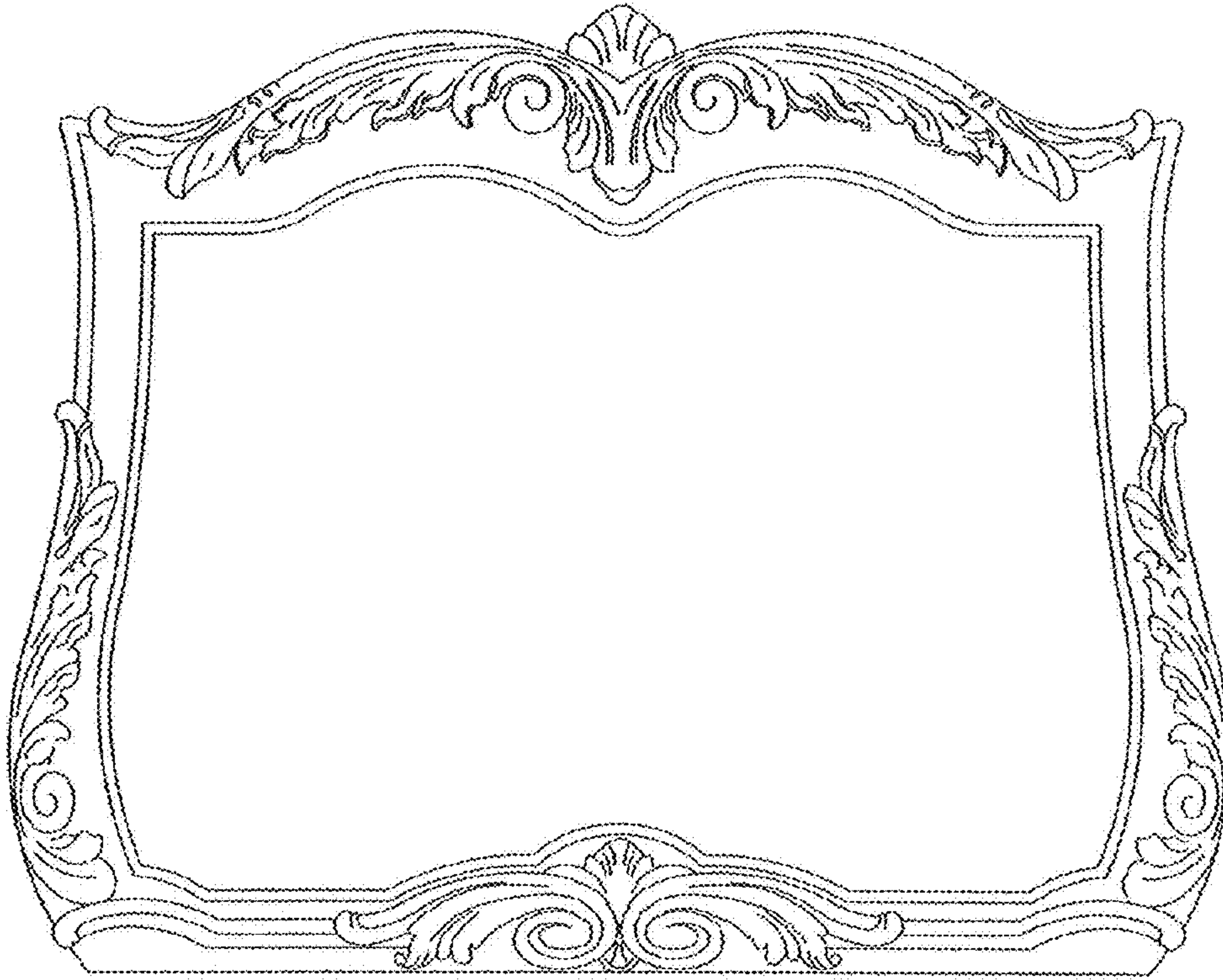


FIG. 2

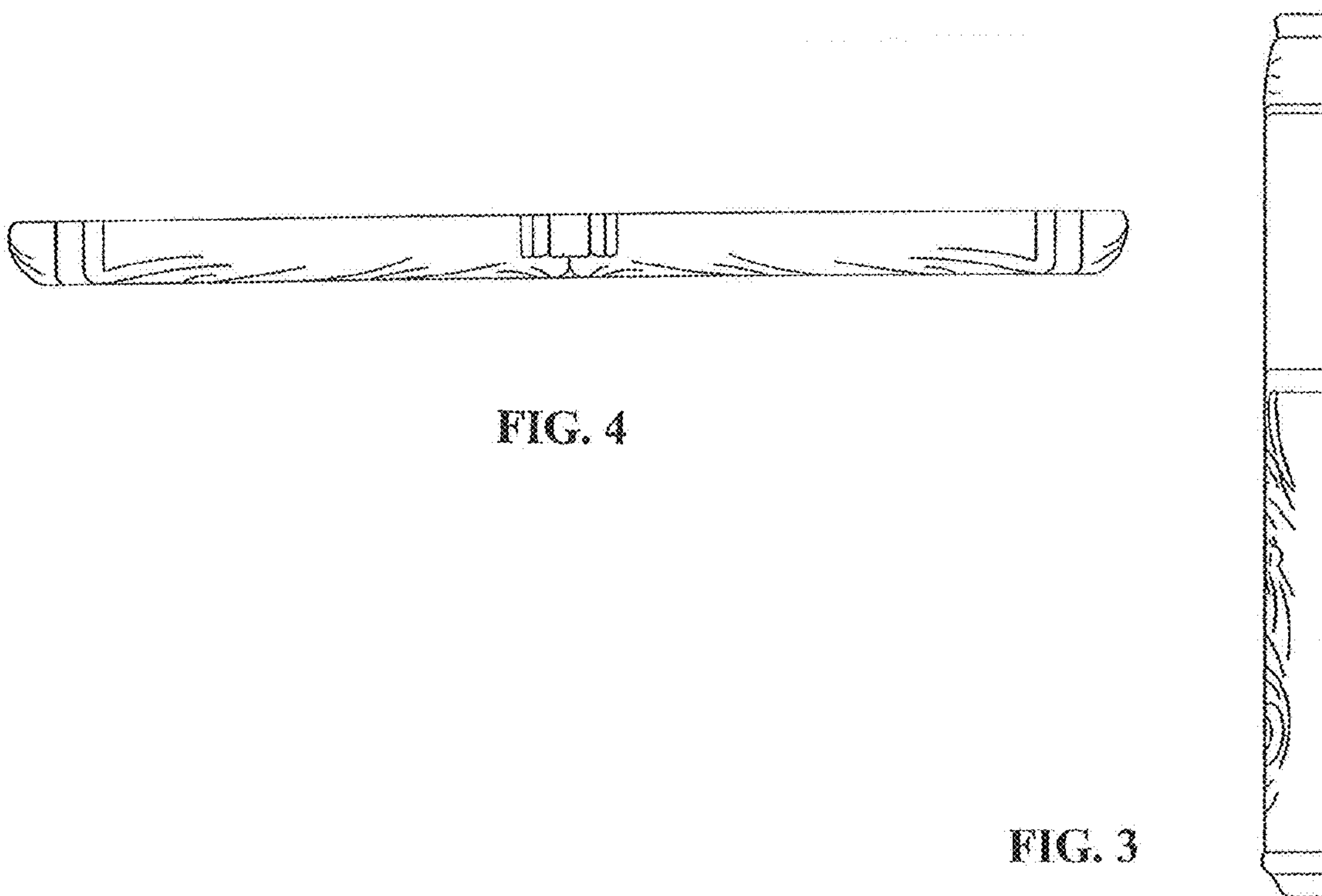


FIG. 4

FIG. 3