



US00D589254S

(12) **United States Design Patent**  
**Gonzalez**

(10) **Patent No.:** **US D589,254 S**  
(45) **Date of Patent:** **\*\* Mar. 31, 2009**

(54) **HANDBAG EYELETS**

D485,680 S 1/2004 Hasenfrantz

(75) Inventor: **Alvaro Gonzalez**, Florence (IT)

\* cited by examiner

(73) Assignee: **J. Choo Limited**, London (GB)

*Primary Examiner*—Holly H Baynham  
(74) *Attorney, Agent, or Firm*—Fross Zelnick Lehrman & Zissu, P.C.; Lawrence E. Apolzon, Esq.

(\*\*) Term: **14 Years**

(21) Appl. No.: **29/294,432**

(57) **CLAIM**

(22) Filed: **Jan. 9, 2008**

The ornamental design for a handbag eyelets, as shown and described.

(30) **Foreign Application Priority Data**

Jul. 11, 2007 (EM) ..... 000758420-0014

**DESCRIPTION**

(51) **LOC (9) Cl.** ..... **03-01**

FIG. 1 is a front perspective view of the handbag eyelets shown in FIG. 1;

(52) **U.S. Cl.** ..... **D3/318**

FIG. 2 is a front view of the handbag eyelets shown in FIG. 1;

(58) **Field of Classification Search** ..... D3/232–233,  
D3/240–246, 318, 322, 324; 150/100, 103–104,  
150/107–110, 114, 118–119

FIG. 3 is a left side view of the handbag eyelets shown in FIG. 1 (with the right side view being a mirror image thereof);

See application file for complete search history.

FIG. 4 is a top view of the handbag eyelets shown in FIG. 1; and,

(56) **References Cited**

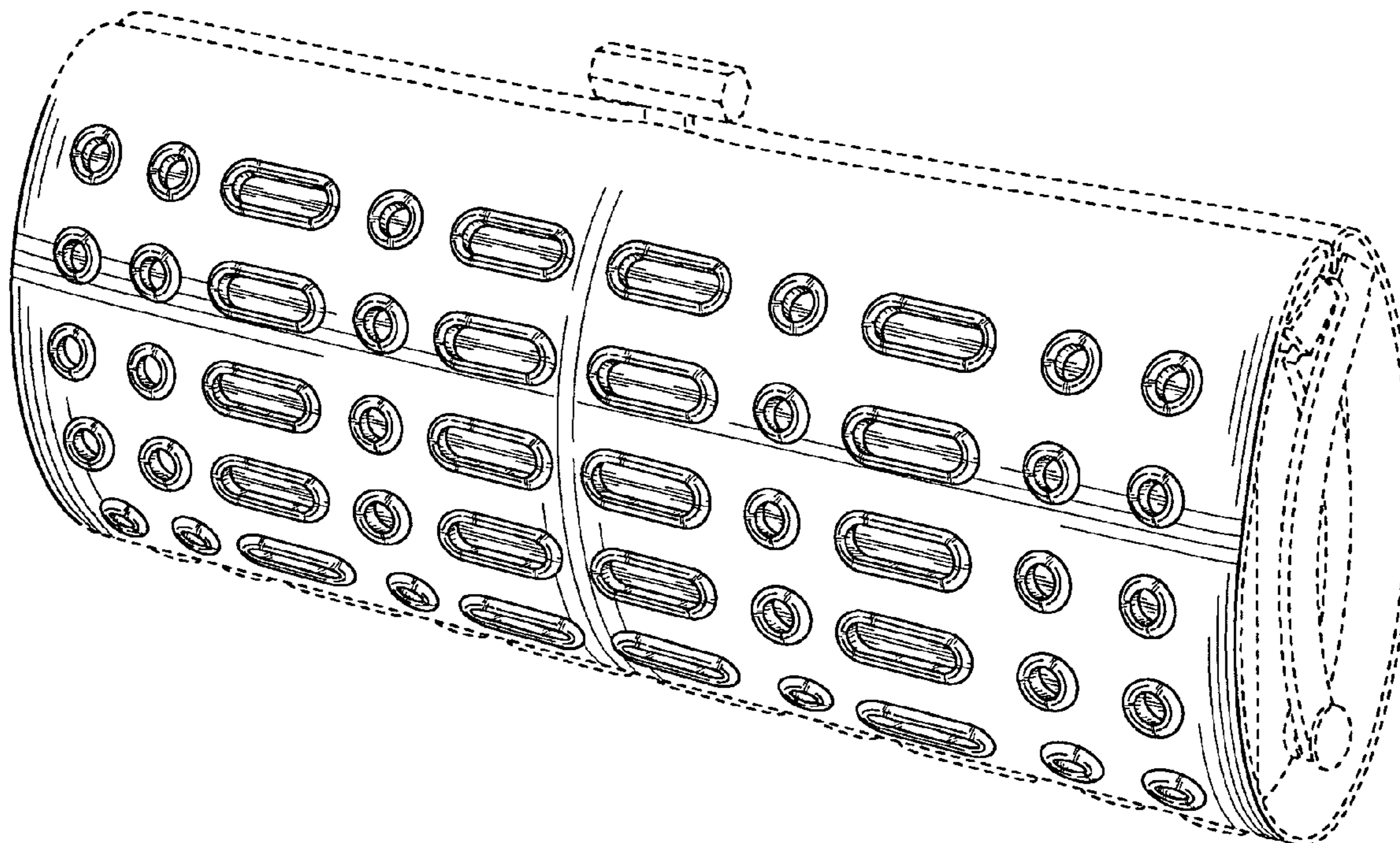
FIG. 5 is a bottom view of the handbag eyelets shown in FIG. 1.

**U.S. PATENT DOCUMENTS**

The broken line showing of portions of the body of the bag, closure piece, and grommets is for illustrative purposes only and forms no part of the claimed design.

- D132,543 S \* 5/1942 Seltzer ..... D3/245
- D135,603 S \* 5/1943 Kalisher ..... D3/245
- D136,014 S \* 7/1943 Caron ..... D3/245
- D342,383 S 12/1993 Fuchs et al.
- D403,151 S \* 12/1998 Heredos-Formby ..... D3/246

**1 Claim, 5 Drawing Sheets**



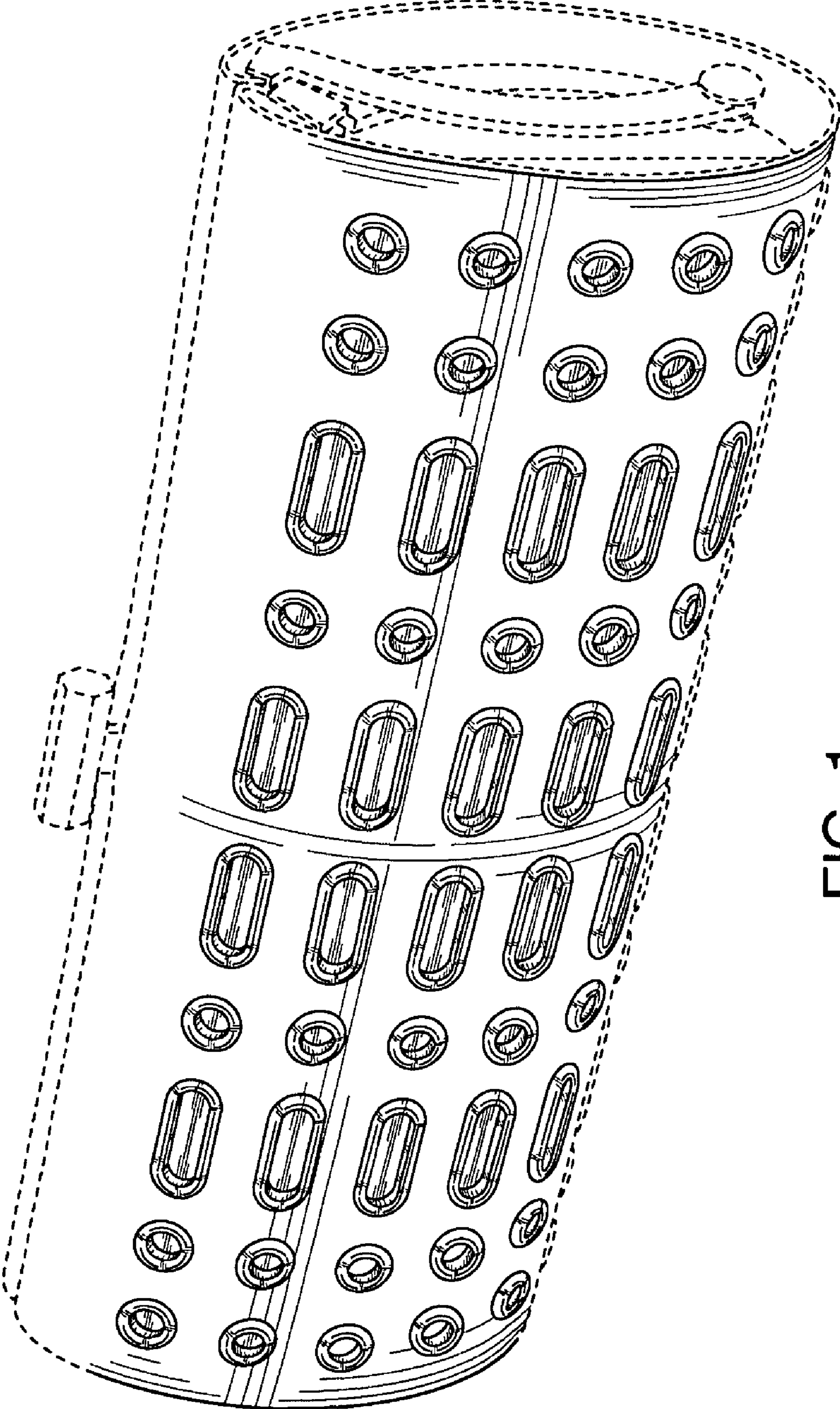


FIG. 1



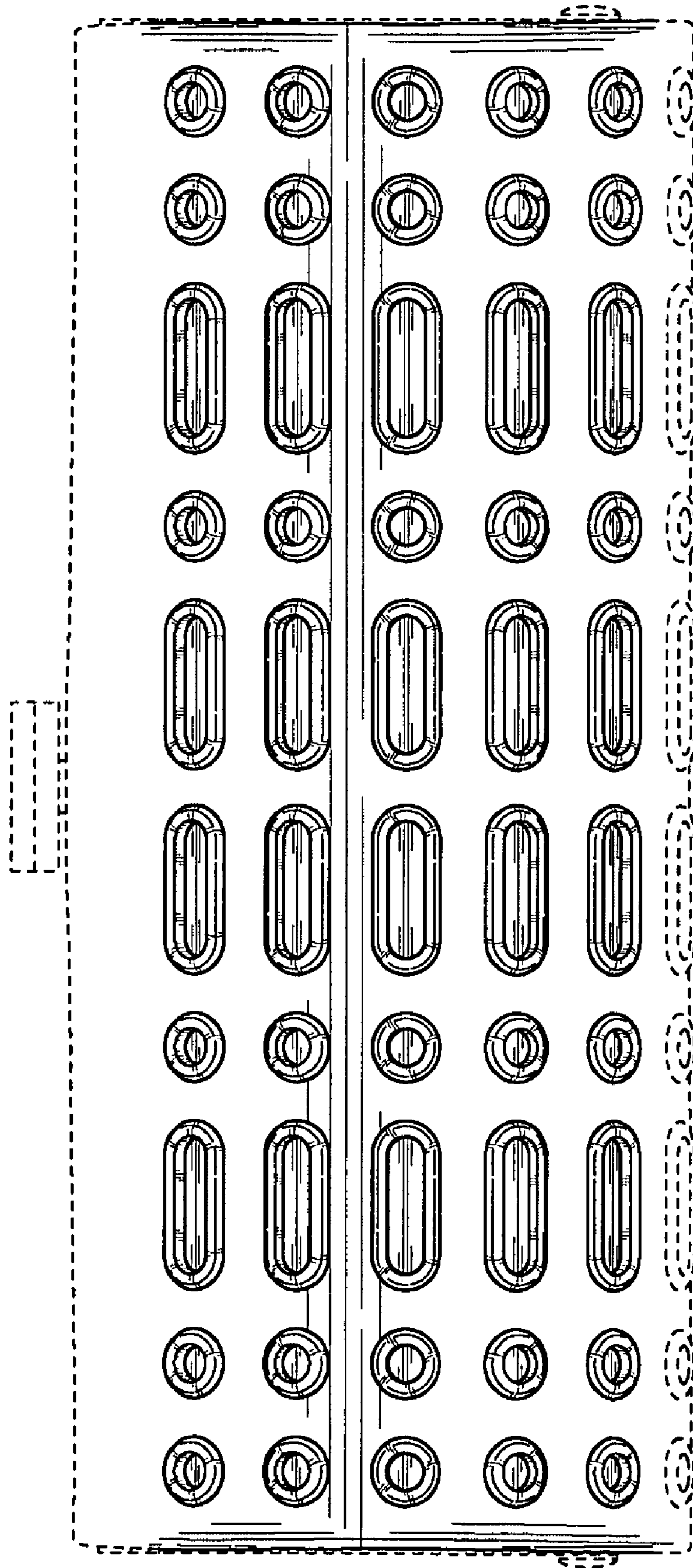


FIG. 2

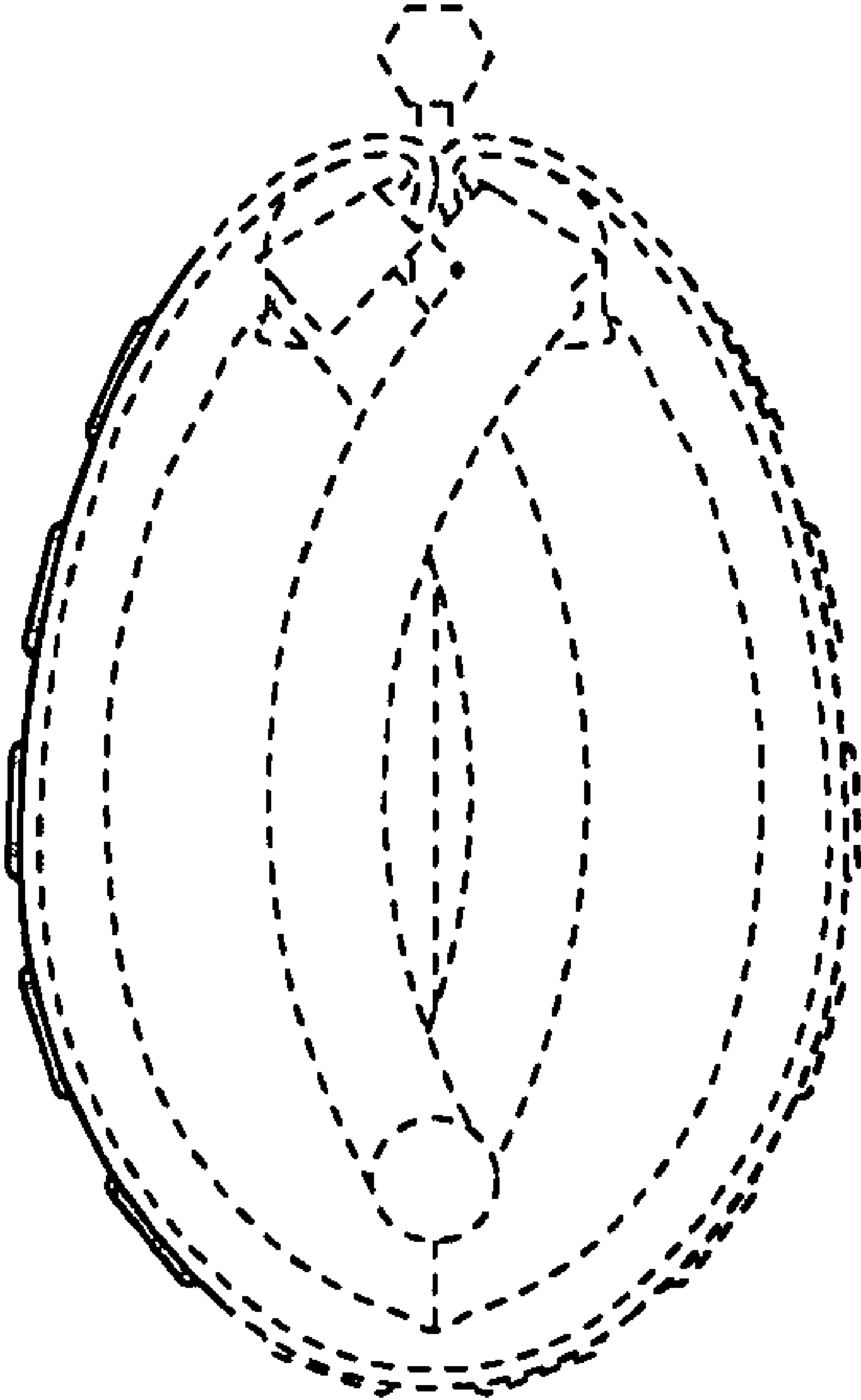


FIG. 3

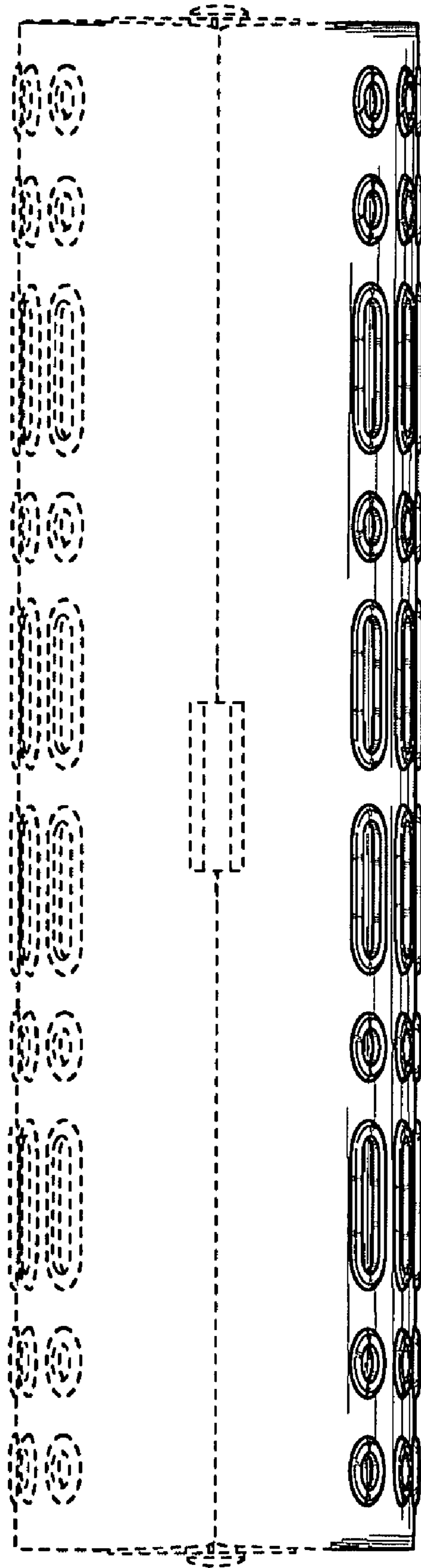


FIG. 4

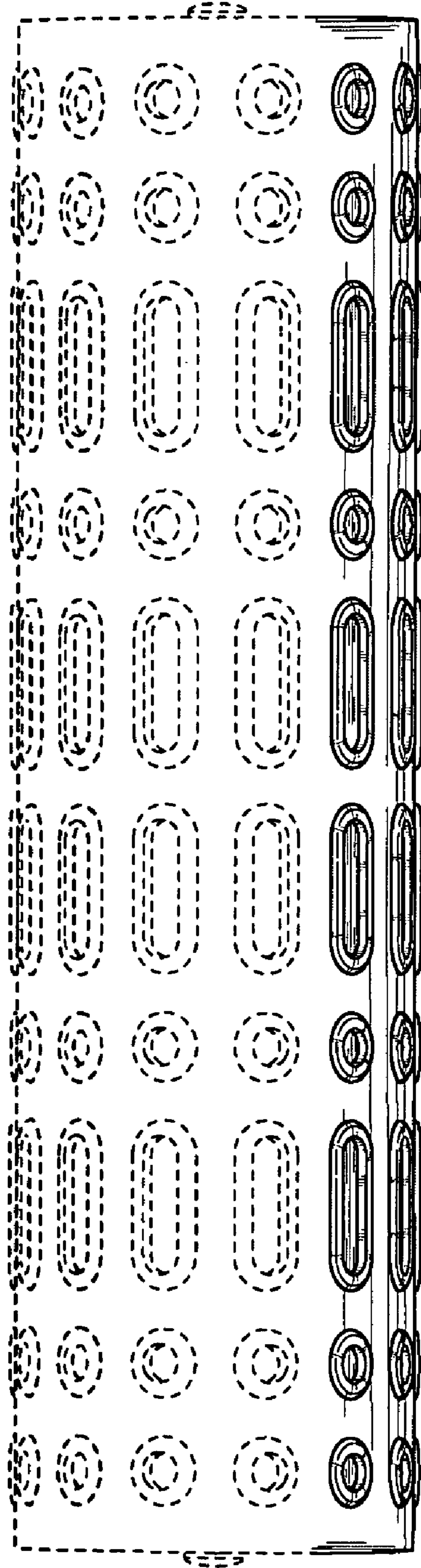


FIG. 5