



US00D589250S

(12) **United States Design Patent**  
**Myers**

(10) **Patent No.:** **US D589,250 S**

(45) **Date of Patent:** **\*\* Mar. 31, 2009**

(54) **STAND FOR A HANDHELD DEVICE**

(76) **Inventor:** **Gregory Myers**, 3041 Honeyeard Rd.,  
Downingtown, PA (US) 19335

(\*\*) **Term:** **14 Years**

(21) **Appl. No.:** **29/307,011**

(22) **Filed:** **Mar. 26, 2008**

(51) **LOC (9) Cl.** ..... **03-01**

(52) **U.S. Cl.** ..... **D3/218; D6/469**

(58) **Field of Classification Search** ..... D6/300,  
D6/469; D3/218, 201, 273; D13/103, 108;  
D14/496, 168, 474; 362/157; 455/556; 206/305,  
206/320, 307, 307.1, 308.1; 224/682-683,  
224/666, 600, 268-271

See application file for complete search history.

(56) **References Cited**

**U.S. PATENT DOCUMENTS**

D541,298 S *	4/2007	Andre et al.	.....	D14/496
D542,524 S *	5/2007	Richardson et al.	.....	D3/218
D547,056 S *	7/2007	Griffin et al.	.....	D3/218
D547,057 S *	7/2007	Griffin et al.	.....	D3/218
D548,744 S *	8/2007	Andre et al.	.....	D14/496
D548,745 S *	8/2007	Andre et al.	.....	D14/496
D548,746 S *	8/2007	Andre et al.	.....	D14/496
D553,852 S *	10/2007	Brandenburg	.....	D3/218
D556,448 S *	12/2007	Brandenburg	.....	D3/218
D557,205 S *	12/2007	Kim	.....	D13/103
D558,972 S *	1/2008	Oh	.....	D3/201
D559,267 S *	1/2008	Griffin	.....	D14/496
D559,529 S *	1/2008	Griffin et al.	.....	D3/201
D566,383 S *	4/2008	Harris et al.	.....	D3/218
D566,962 S *	4/2008	Griffin et al.	.....	D3/218
D568,338 S *	5/2008	Andre et al.	.....	D14/496
D568,903 S *	5/2008	Seo	.....	D14/496
D570,874 S *	6/2008	Niizawa et al.	.....	D14/496
D571,376 S *	6/2008	Kaneko et al.	.....	D14/496
D571,823 S *	6/2008	Ledbetter et al.	.....	D14/496

D572,267 S *	7/2008	Andre et al.	.....	D14/496
D572,268 S *	7/2008	Niizawa et al.	.....	D14/496
D575,304 S *	8/2008	Andre et al.	.....	D14/496
D578,139 S *	10/2008	Sheba et al.	.....	D14/496
D578,140 S *	10/2008	Sheba et al.	.....	D14/496
2007/0183142 A1 *	8/2007	Bollman et al.	.....	362/157
2008/0090608 A1 *	4/2008	Kim et al.	.....	455/556.1

\* cited by examiner

*Primary Examiner*—Janice E Seeger

*Assistant Examiner*—Sydney R Buffalow

(74) *Attorney, Agent, or Firm*—Gene Scott; Patent Law & Venture Group

(57) **CLAIM**

The ornamental design for a stand for a handheld, as shown and described.

**DESCRIPTION**

FIG. 1 is a perspective view of a stand for a handheld device in a closed state, showing my new design;

FIG. 2 is a right side elevational view thereof, the left side elevational view being a mirror image thereof;

FIG. 3 is front elevational view thereof, the rear elevational view being a mirror image thereof;

FIG. 4 is a top plan view thereof;

FIG. 5 is a bottom plan view thereof;

FIG. 6 is a perspective view of s stand for a handheld device in an open state;

FIG. 7 is a left side elevational view thereof, the right side elevational view being a mirror image thereof;

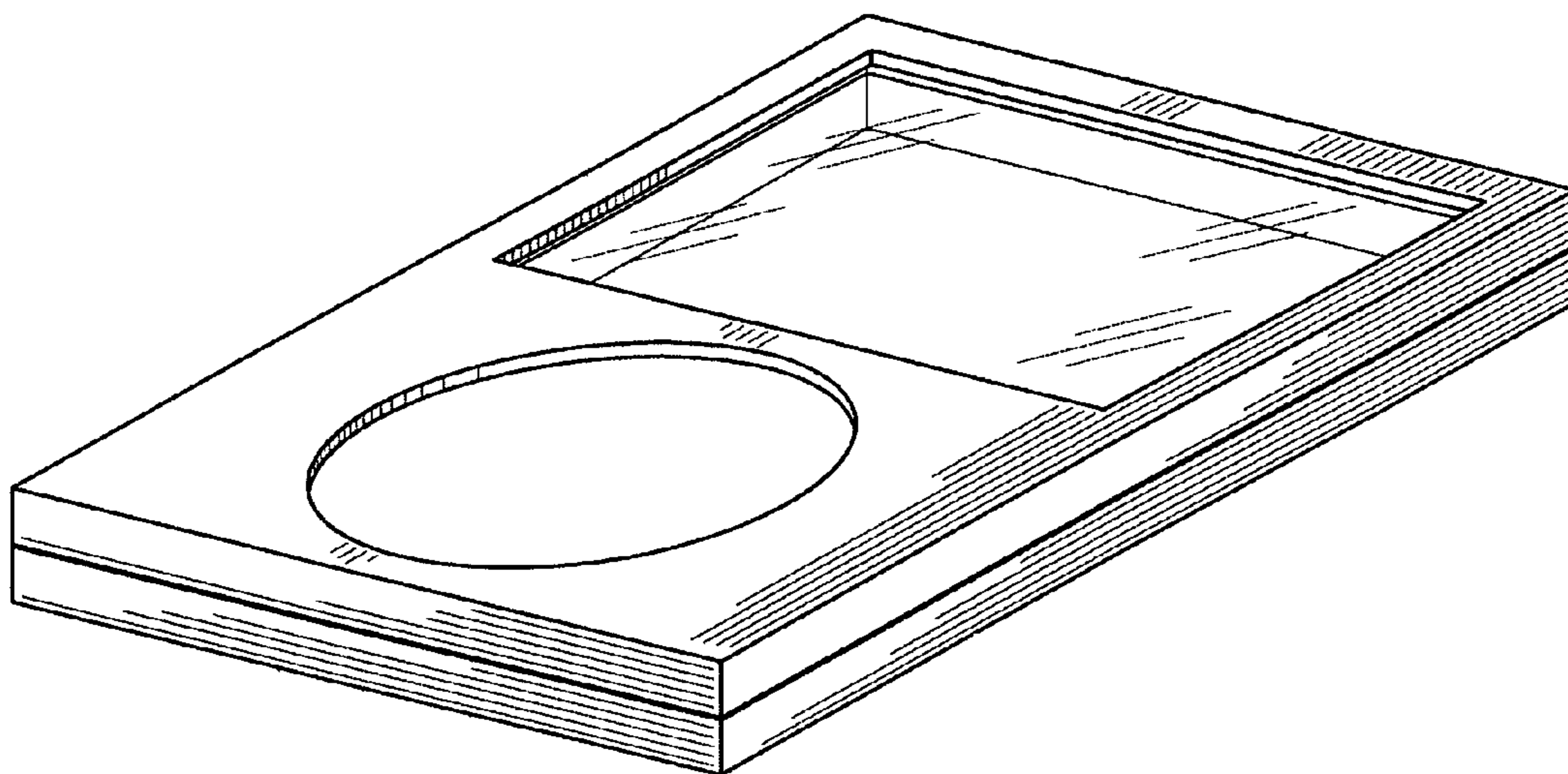
FIG. 8 is front elevational view thereof;

FIG. 9 is a rear elevational view thereof;

FIG. 10 is a top plan view thereof; and,

FIG. 11 is a bottom plan view thereof.

**1 Claim, 4 Drawing Sheets**



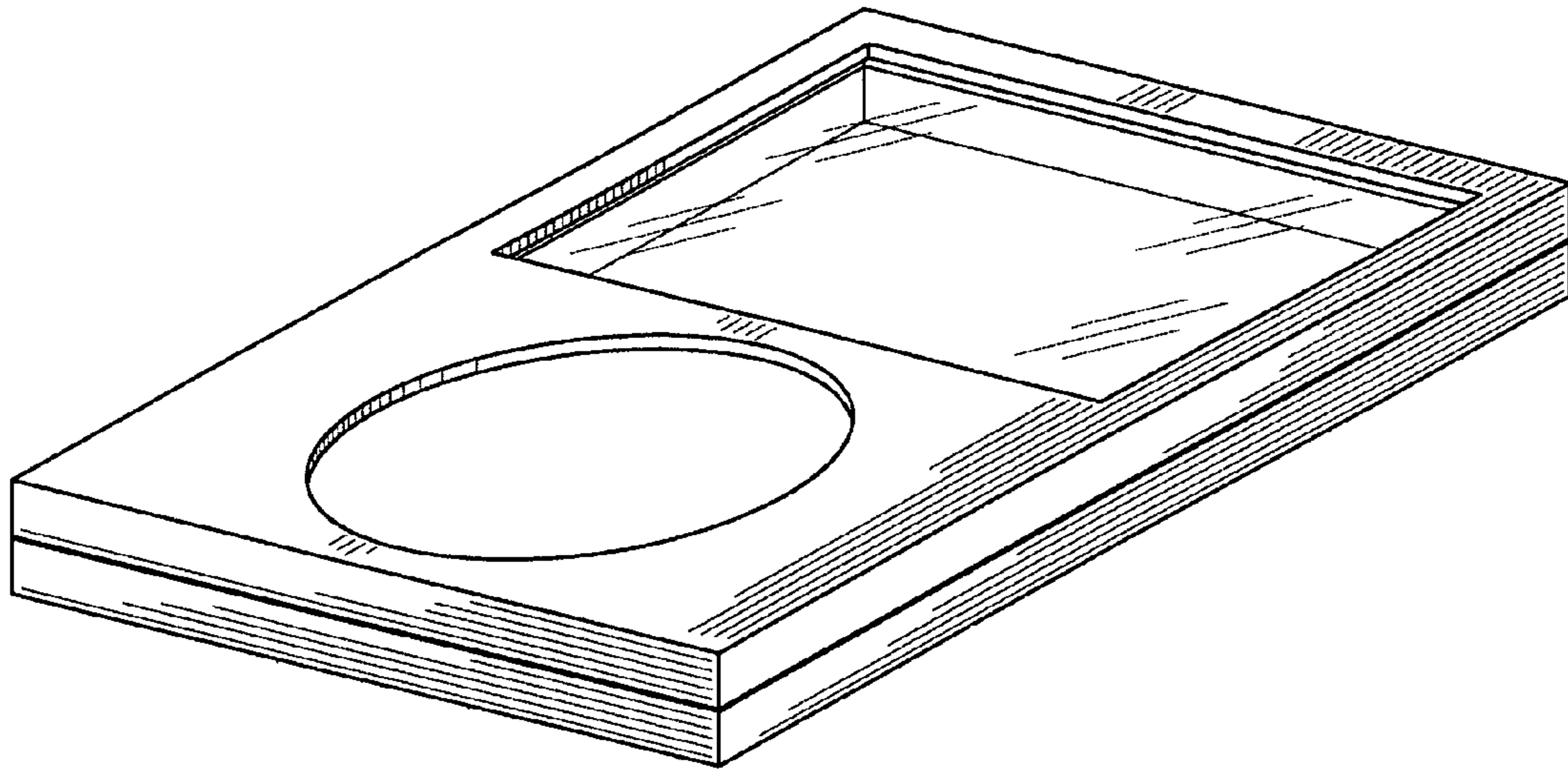


FIG. 1

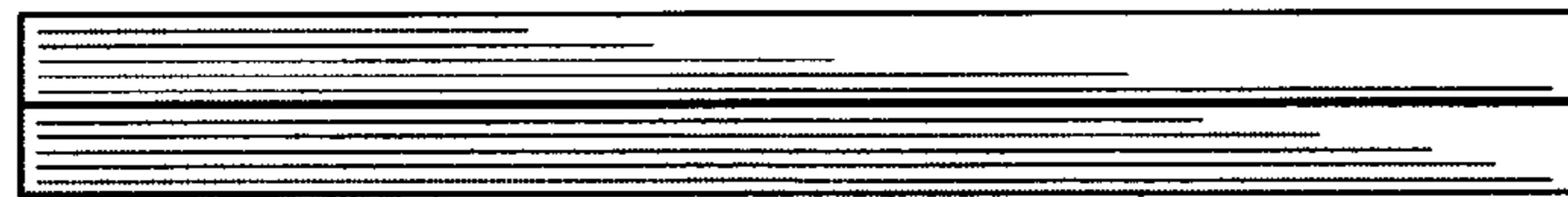


FIG. 2

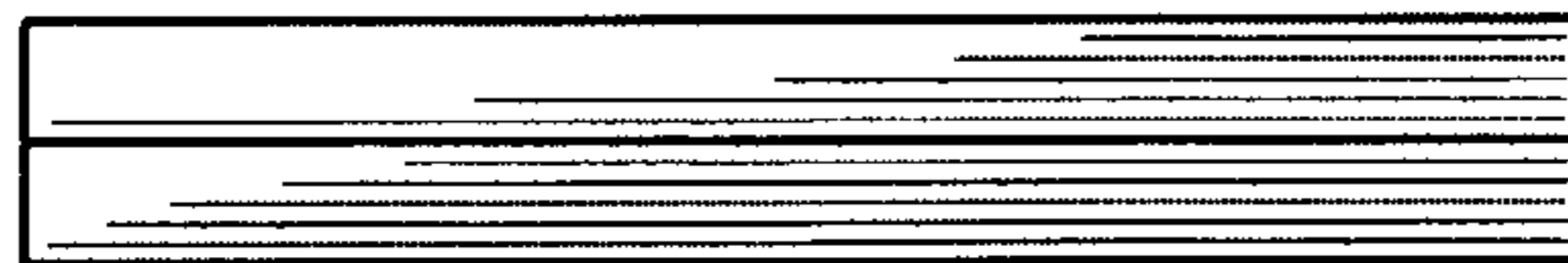


FIG. 3

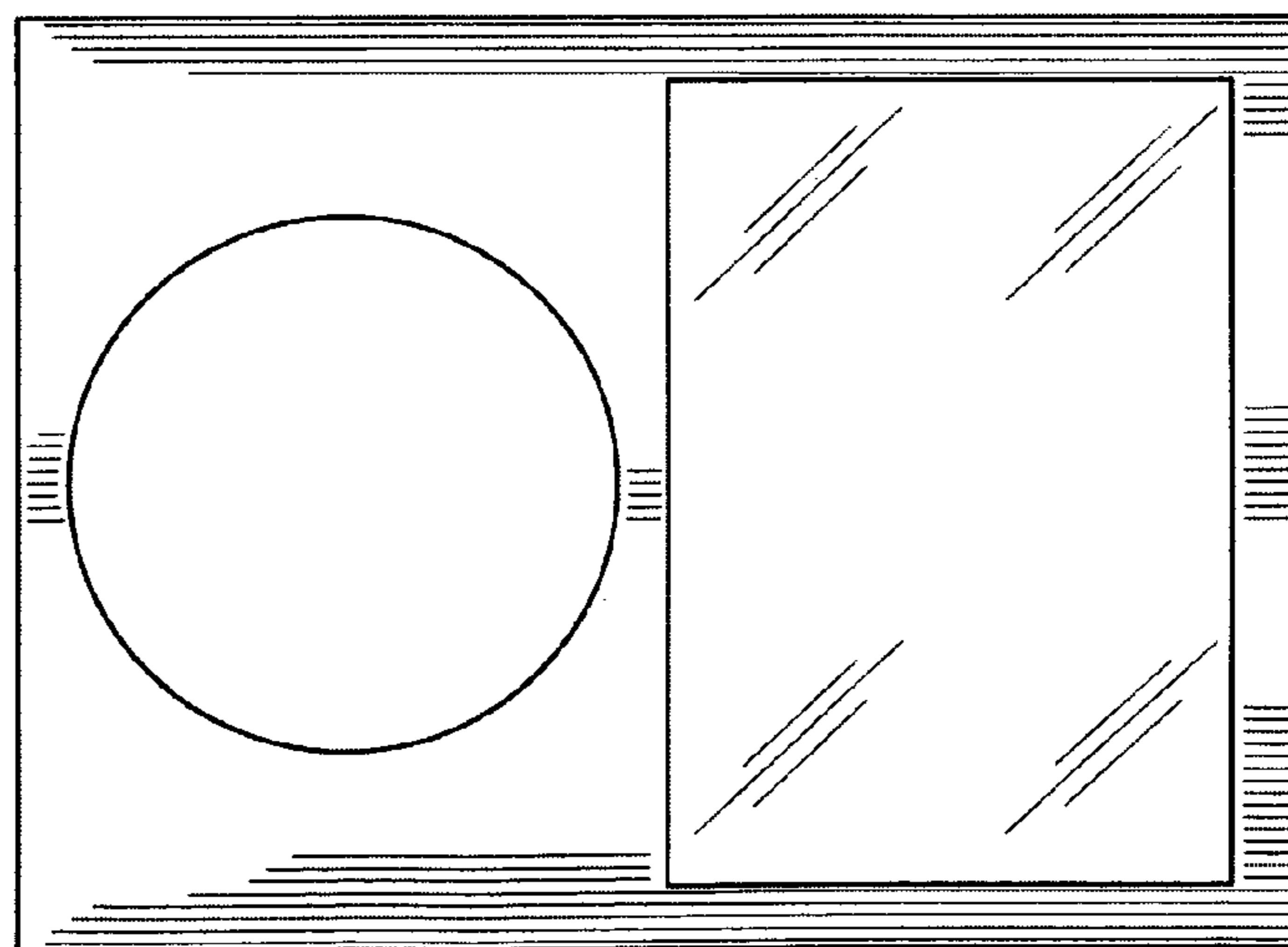


FIG. 4



FIG. 5

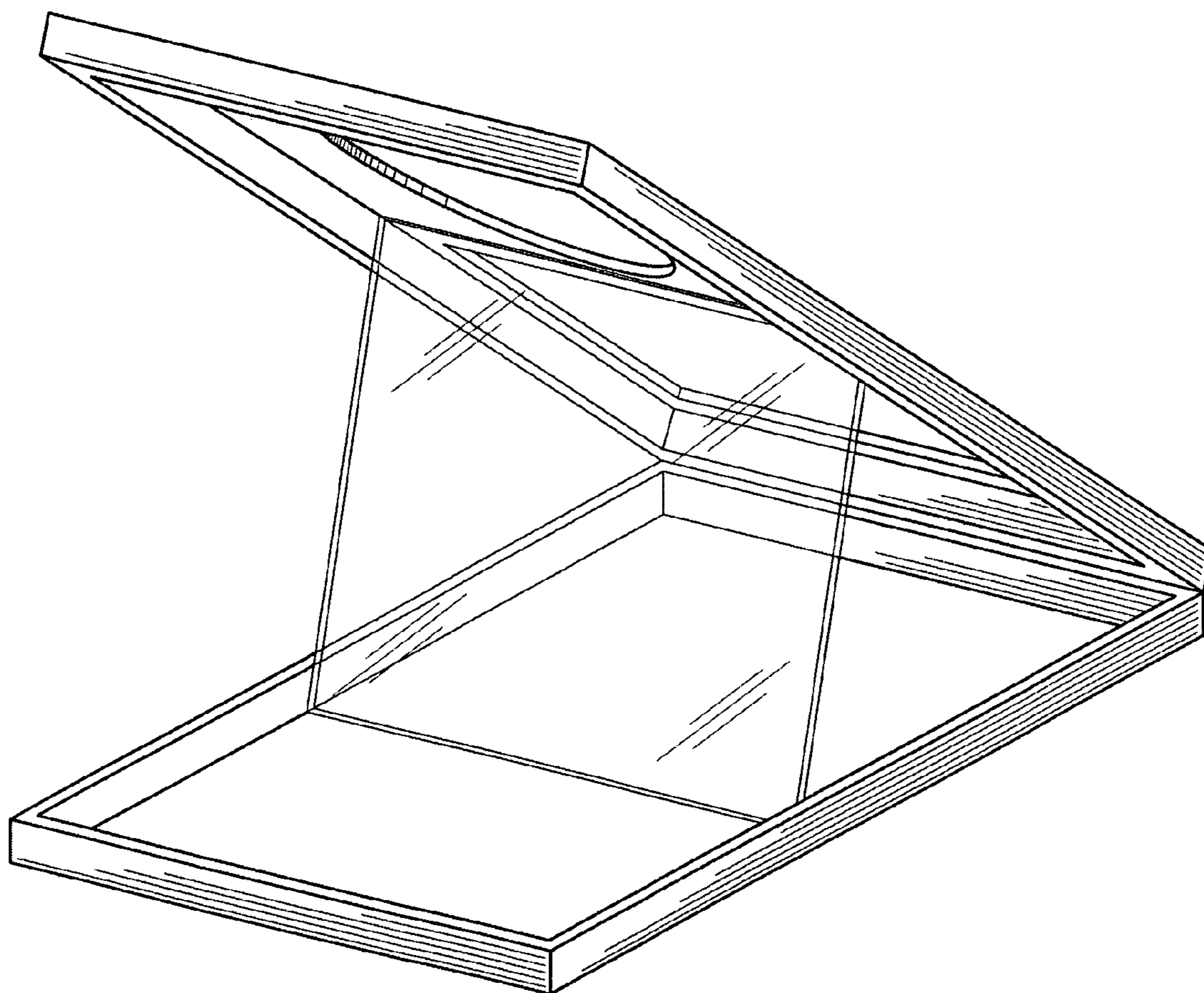


FIG. 6

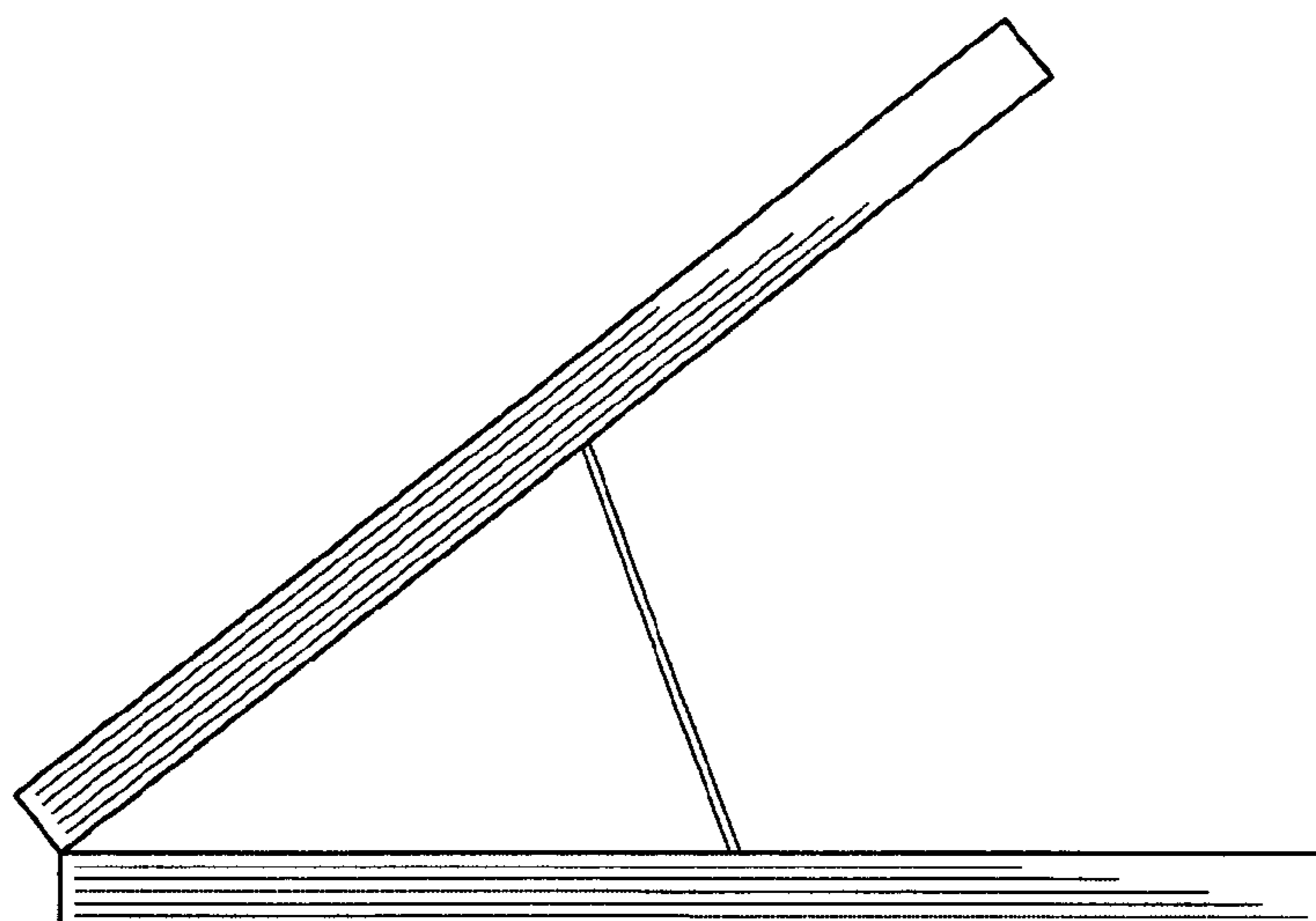


FIG. 7

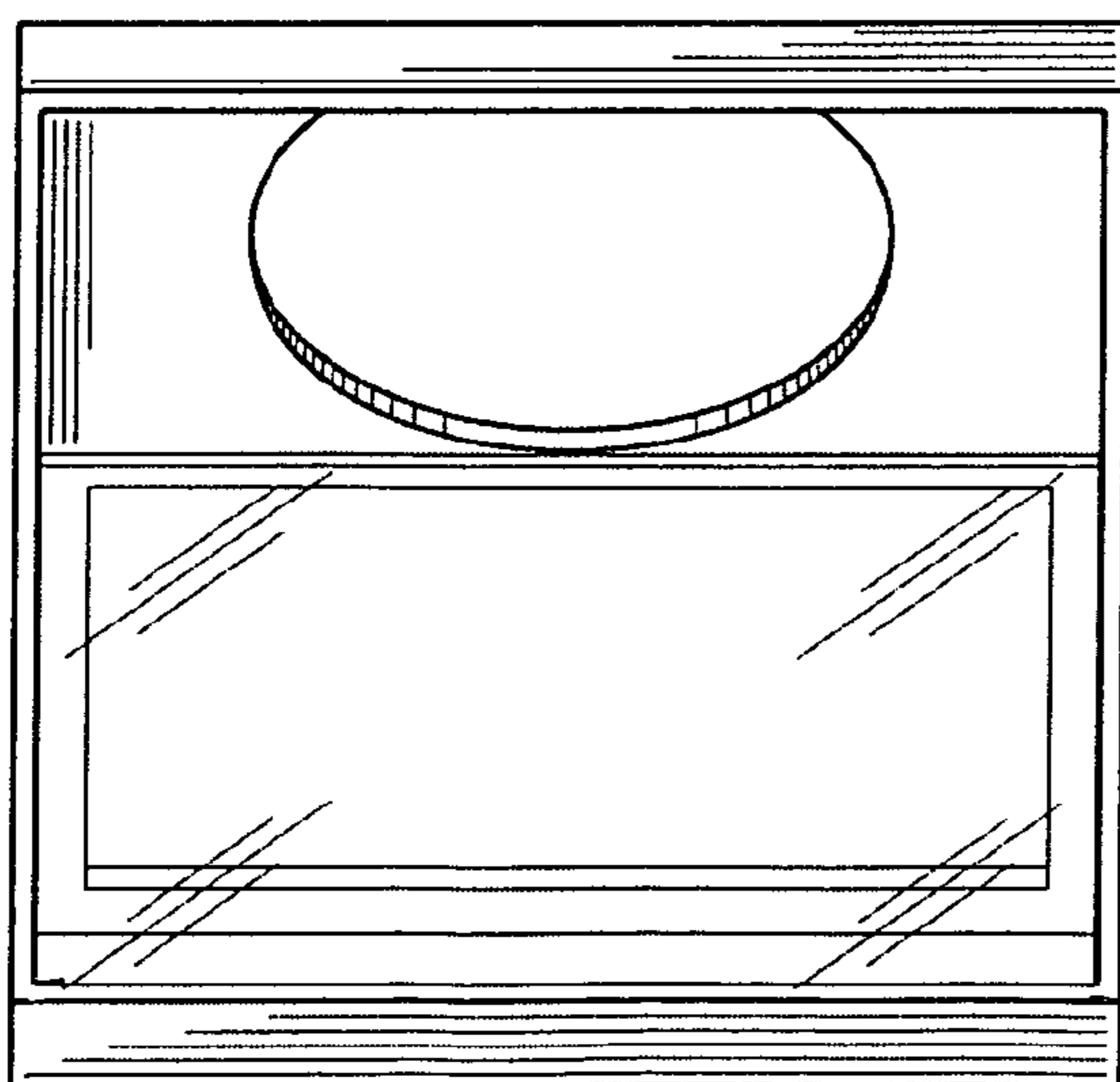


FIG. 8

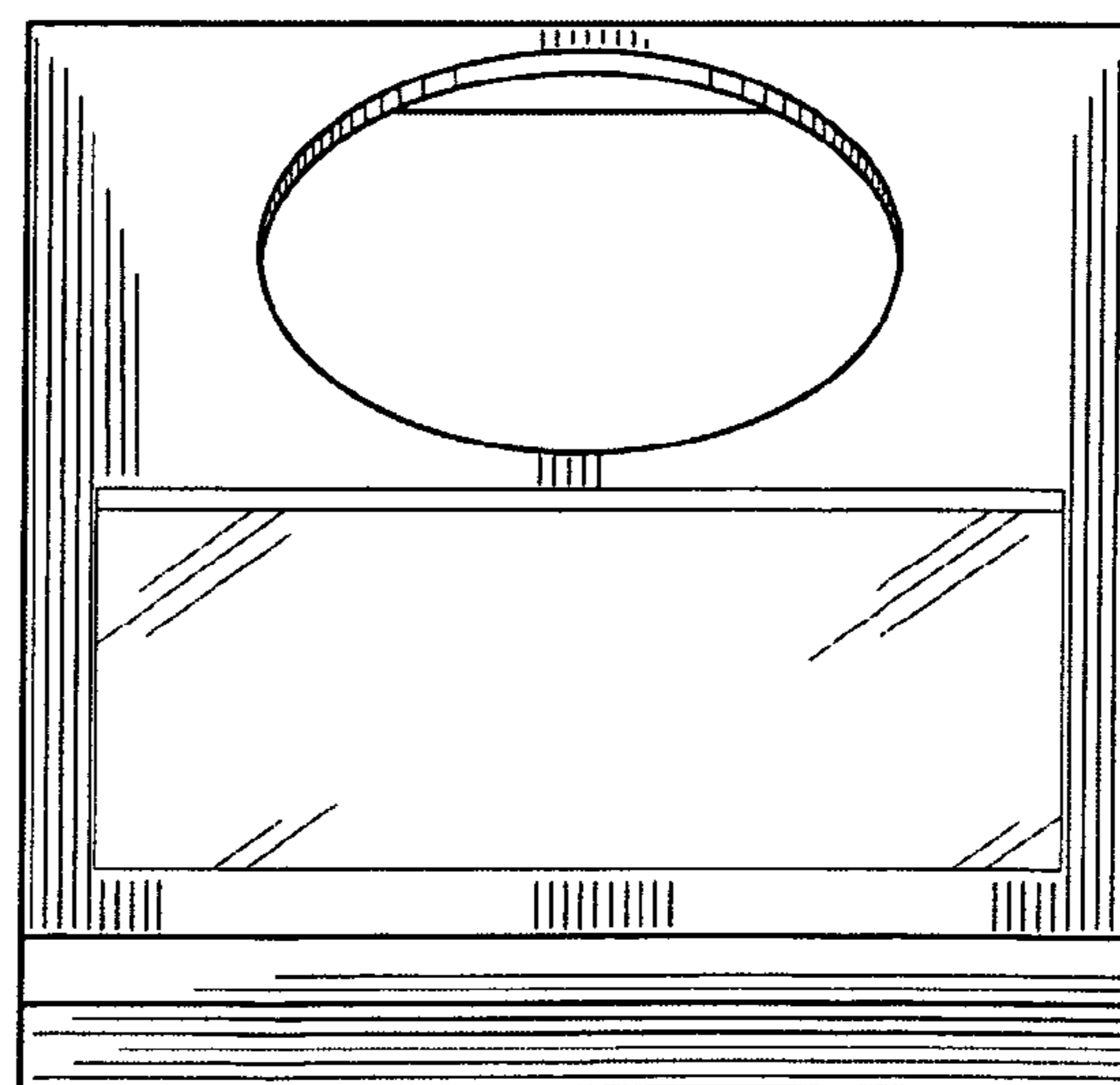
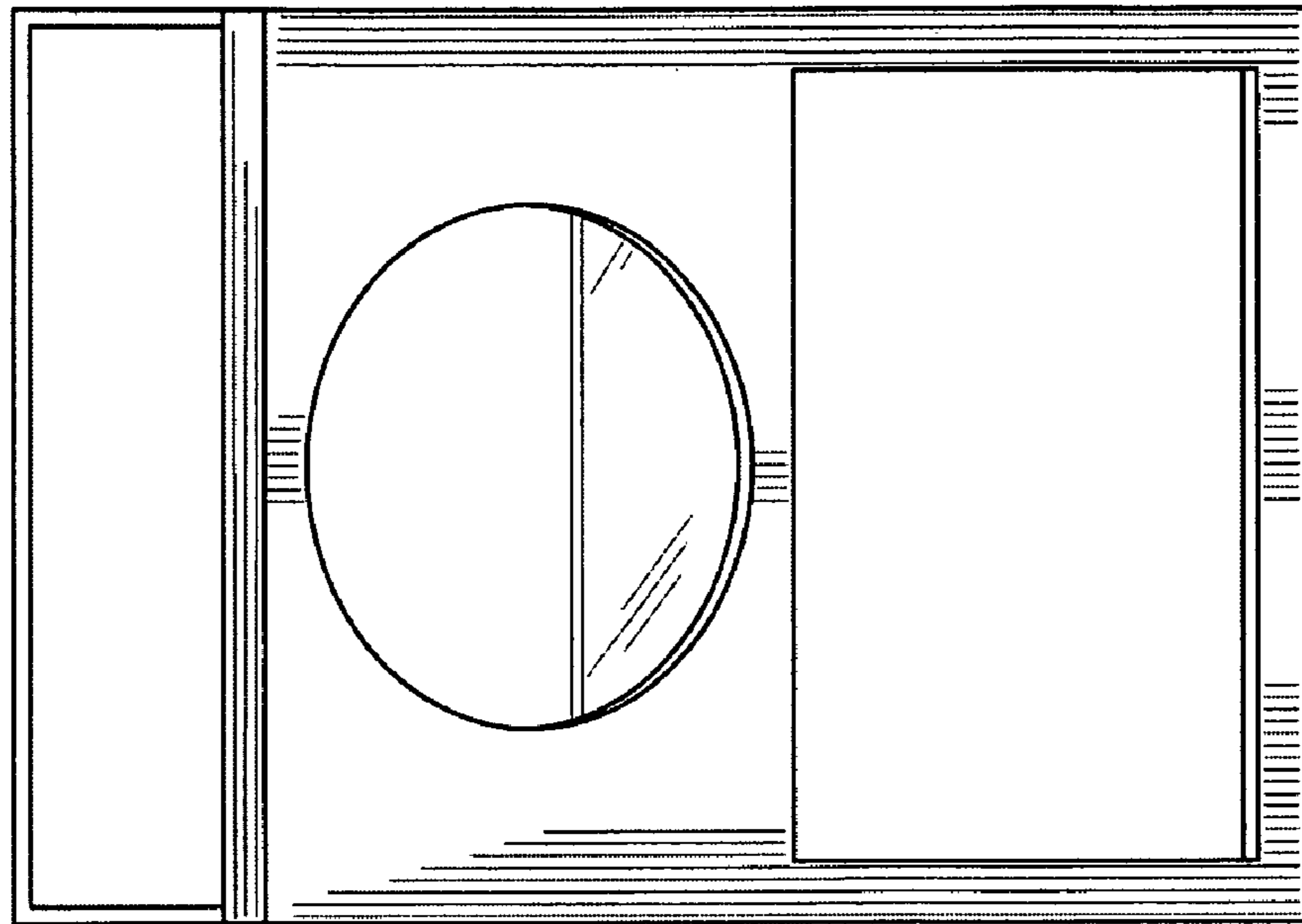


FIG. 9



**FIG. 10**



**FIG. 11**