



US00D589248S

(12) **United States Design Patent**
Katsof

(10) **Patent No.:** **US D589,248 S**
(45) **Date of Patent:** **** Mar. 31, 2009**

(54) **STATIONARY HOLDER FOR PERSONAL ELECTRONIC COMMUNICATION DEVICE (HELMET)**

DESCRIPTION

(75) Inventor: **Irwin Katsof**, Suffern, NY (US)

(73) Assignee: **Global Capital Associates, Inc.**, New York, NY (US)

(**) Term: **14 Years**

(21) Appl. No.: **29/292,572**

(22) Filed: **Oct. 17, 2007**

(51) **LOC (9) Cl.** **03-01**

(52) **U.S. Cl.** **D3/201**

(58) **Field of Classification Search** D3/201,
D3/218, 215, 272-273; D29/102, 107; 206/305,
206/320; 52/106; D14/434

See application file for complete search history.

(56) **References Cited**

U.S. PATENT DOCUMENTS

4,754,584	A *	7/1988	Newton, II	52/106
D355,731	S *	2/1995	Gingras	D29/102
6,483,698	B1	11/2002	Loh		
D469,097	S	1/2003	Liu		
6,798,647	B2	9/2004	Dickie		
6,889,057	B2	5/2005	Tordera et al.		
6,961,237	B2	11/2005	Dickie		
D558,973	S *	1/2008	Hussaini et al.	D3/201

* cited by examiner

Primary Examiner—Catherine R Oliver

(74) *Attorney, Agent, or Firm*—Greenberg Traurig, P.A.

(57) **CLAIM**

The ornamental design for a stationary holder for personal electronic communication device (helmet), as shown and described.

FIG. 1 is the front left side perspective exploded view of the stationary holder for personal electronic communication device (helmet) and tray insert;

FIG. 2. is a top exploded view of the stationary holder for personal electronic communication device (helmet) and a top view of the tray insert;

FIG. 3 is a right side exploded view of the stationary holder for personal electronic communication device (helmet) and a side the tray insert;

FIG. 4 is a front exploded view of the stationary holder for personal electronic communication device (helmet) and a front view of the tray insert;

FIG. 5 is a rear exploded view of the stationary holder for personal electronic communication device (helmet) and a rear view of the tray insert;

FIG. 6 is a bottom exploded view of the stationary holder for personal electronic communication device and a bottom view of the tray insert;

FIG. 7 is a front left side exploded perspective view of the stationary holder for personal electronic communication device (helmet) indicating placement of a personal digital assistant (PDA);

FIG. 8 is a right side view of the stationary holder for personal electronic communication device (helmet) with the tray insert inserted;

FIG. 9 is a front view of the stationary holder for personal electronic communication device (helmet) with the tray insert inserted; and,

FIG. 10 is a rear view of the stationary holder for personal electronic communication device (helmet) with the tray insert inserted.

The broken line showing of environment in the drawings is included for the purpose of illustrating only and forms no part of the claimed design.

1 Claim, 2 Drawing Sheets

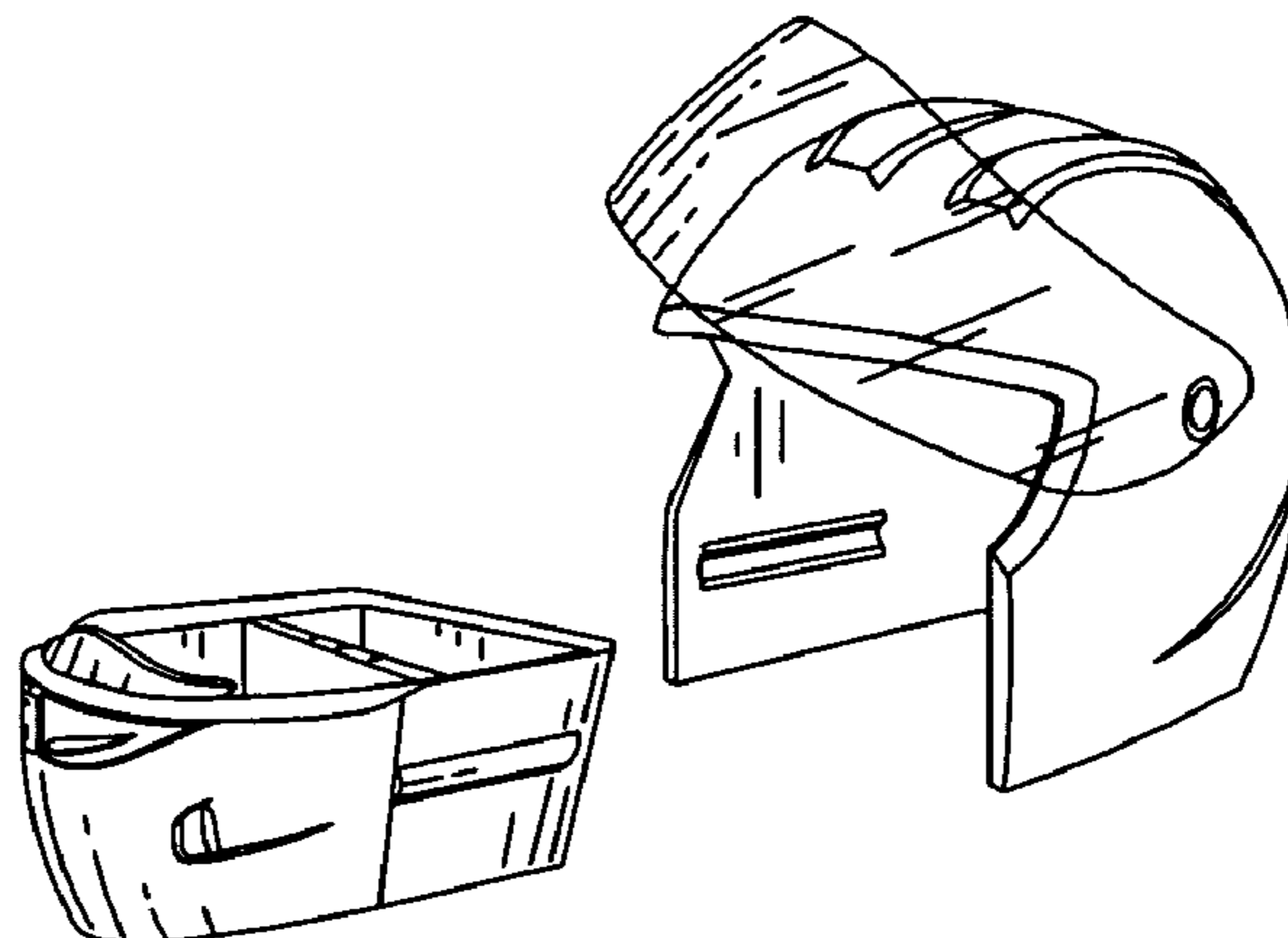


Fig. 1

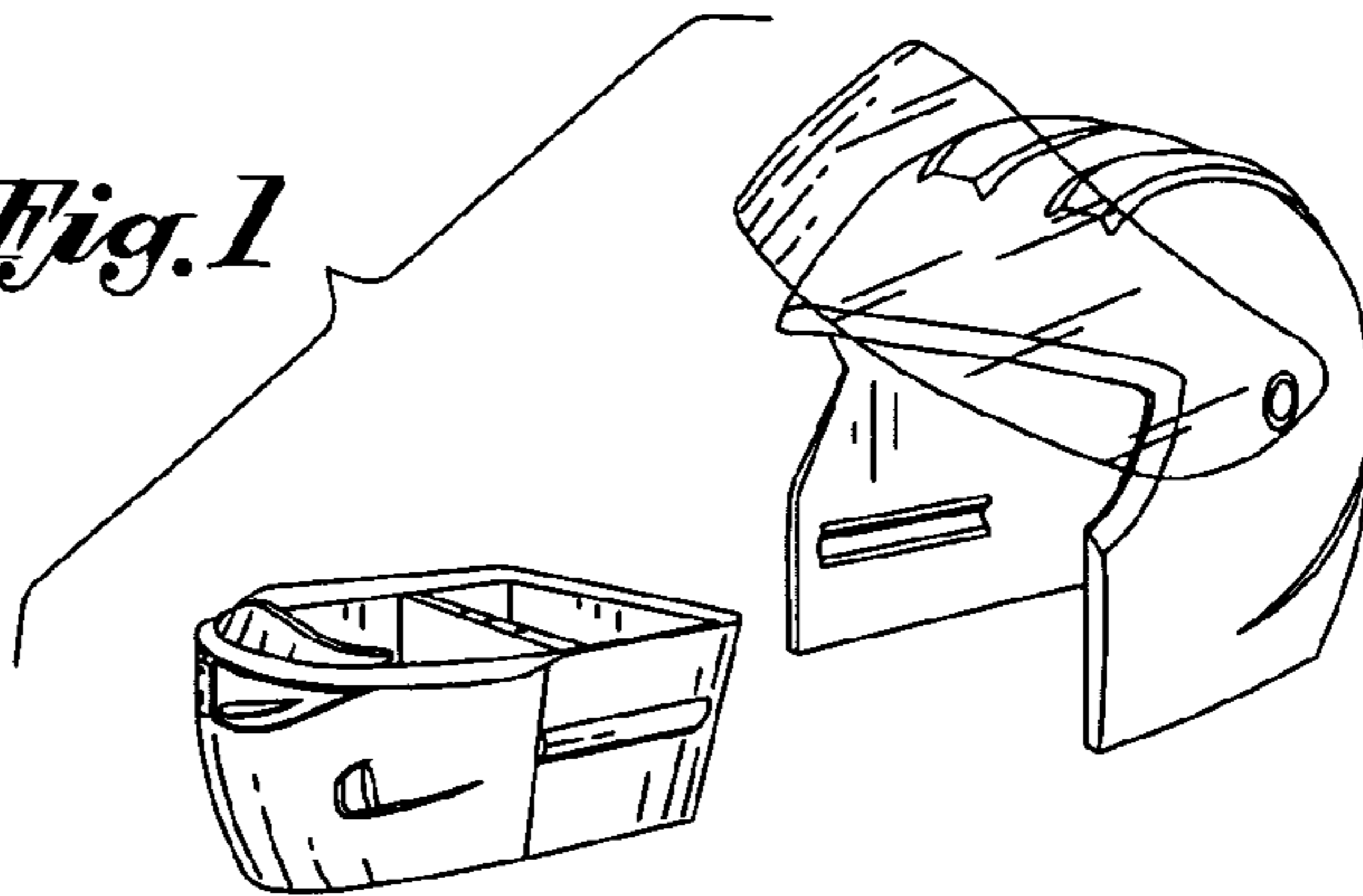


Fig. 2

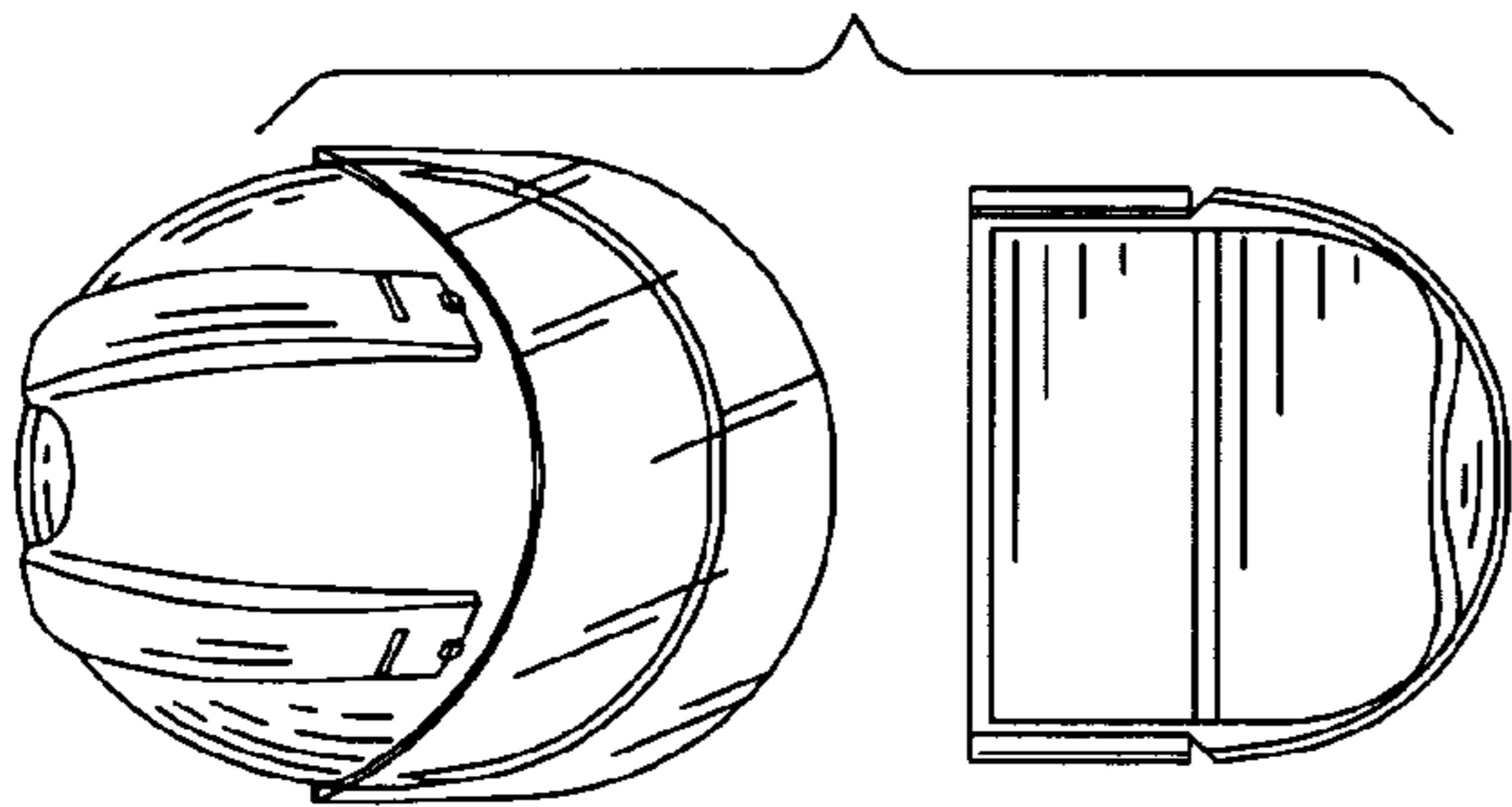


Fig. 3

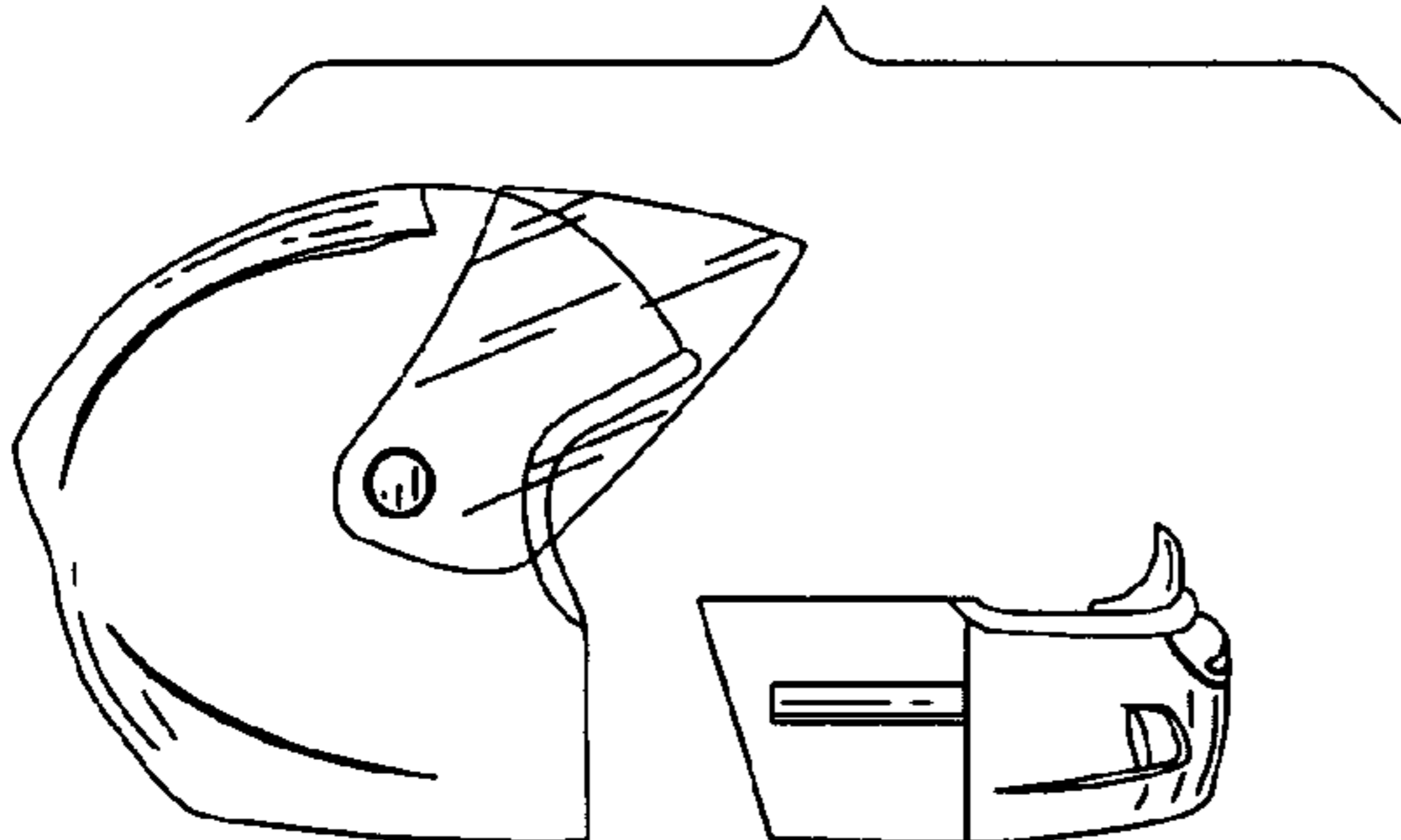


Fig. 4

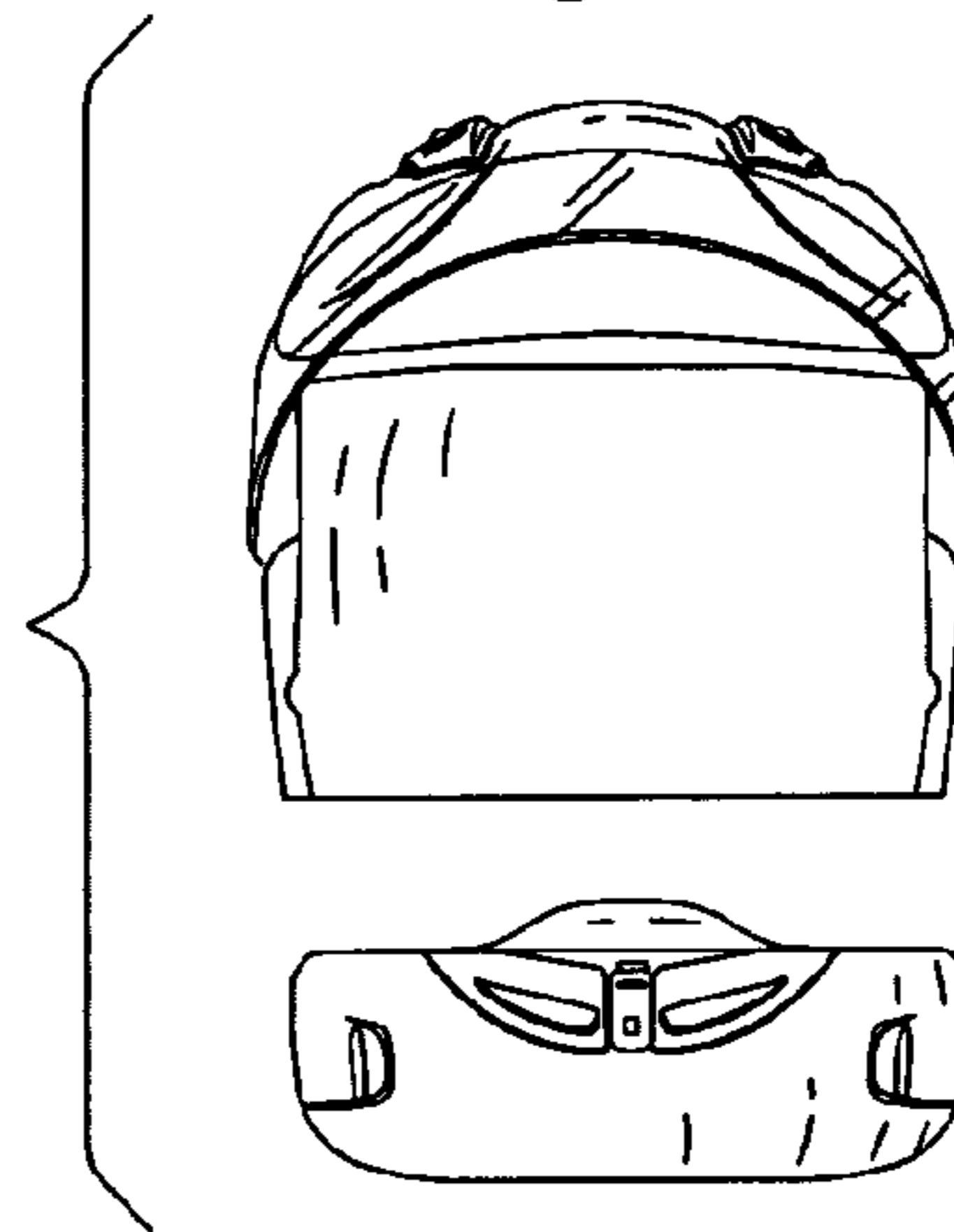


Fig. 5

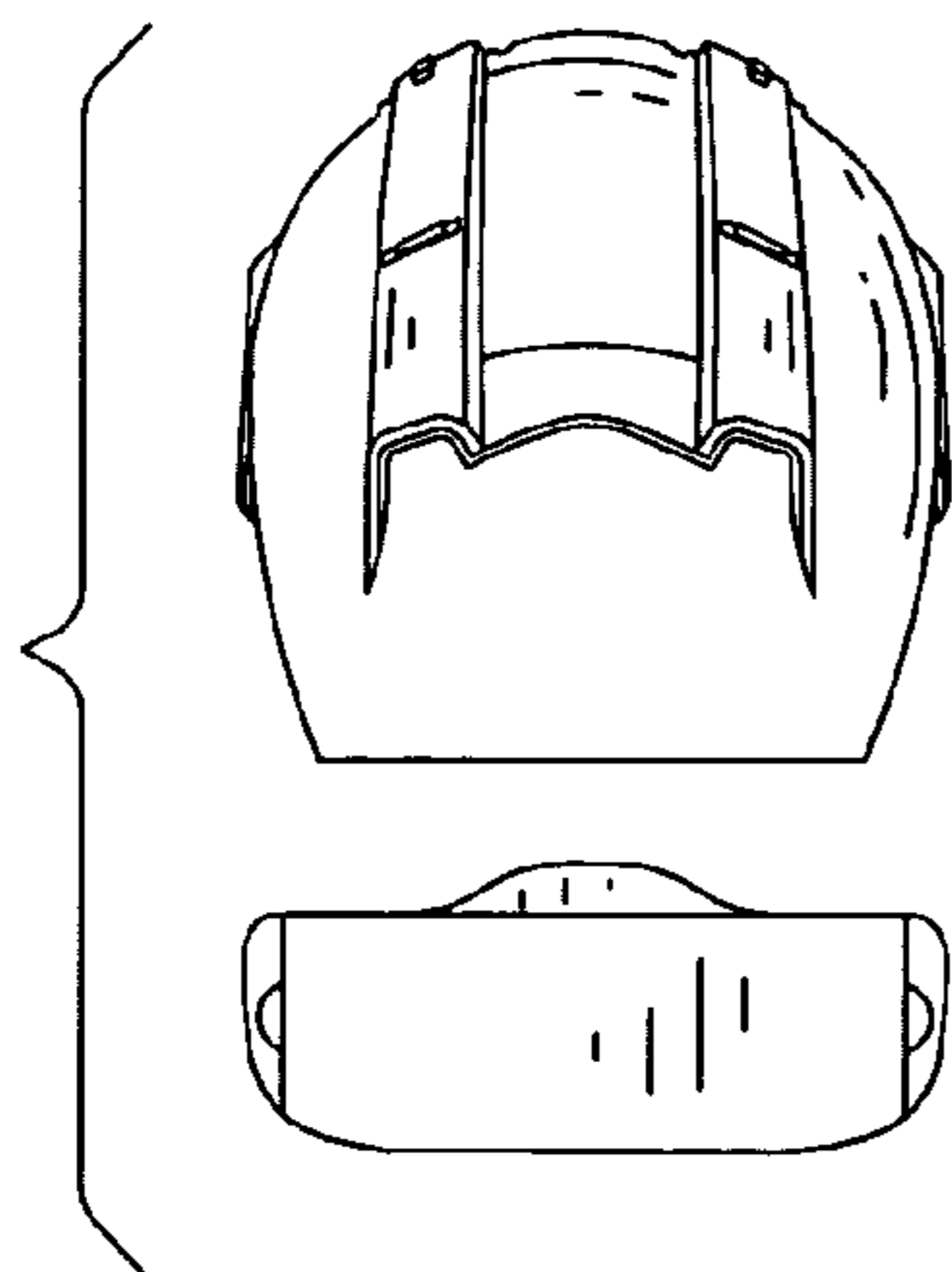
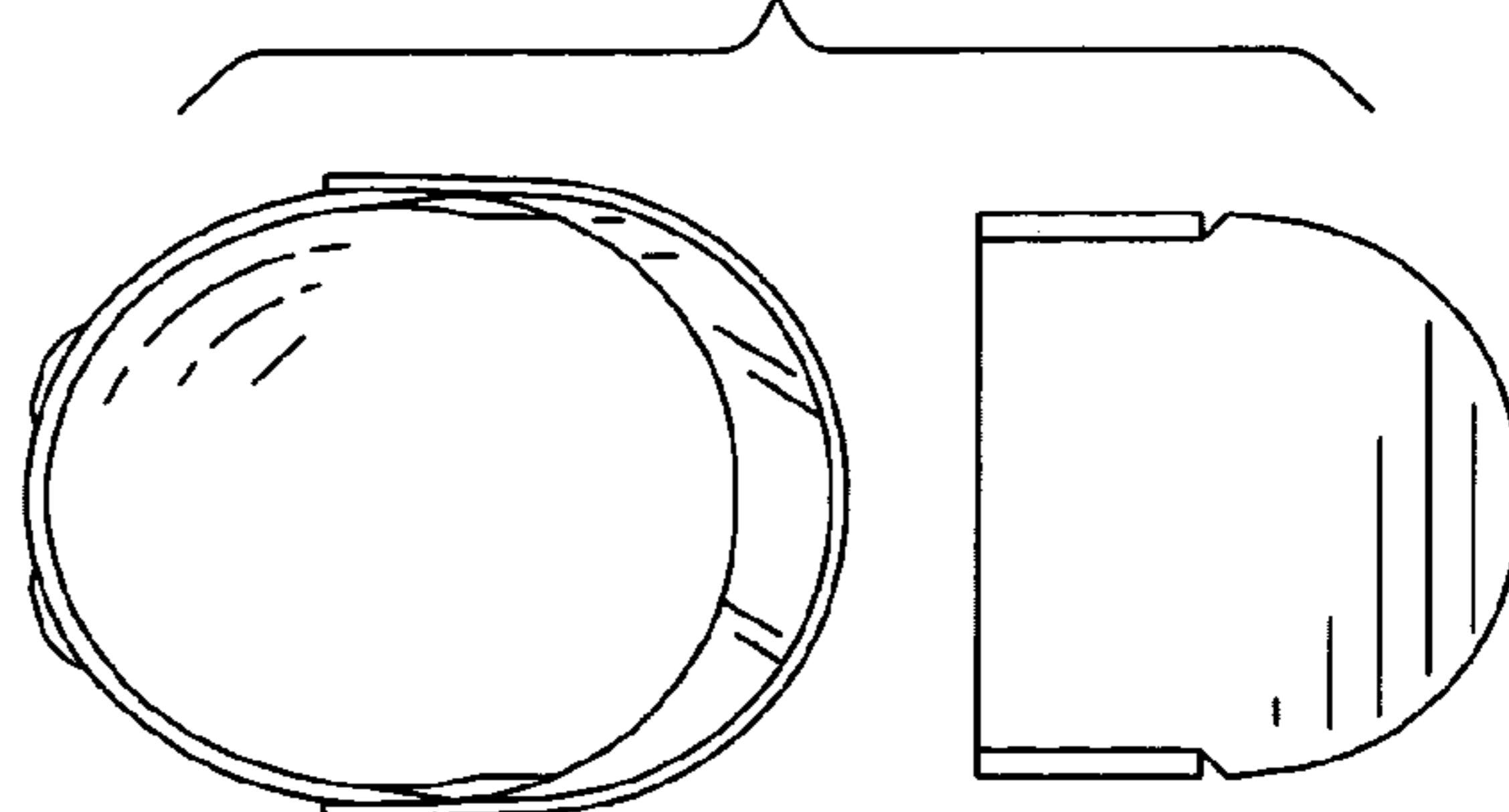


Fig. 6



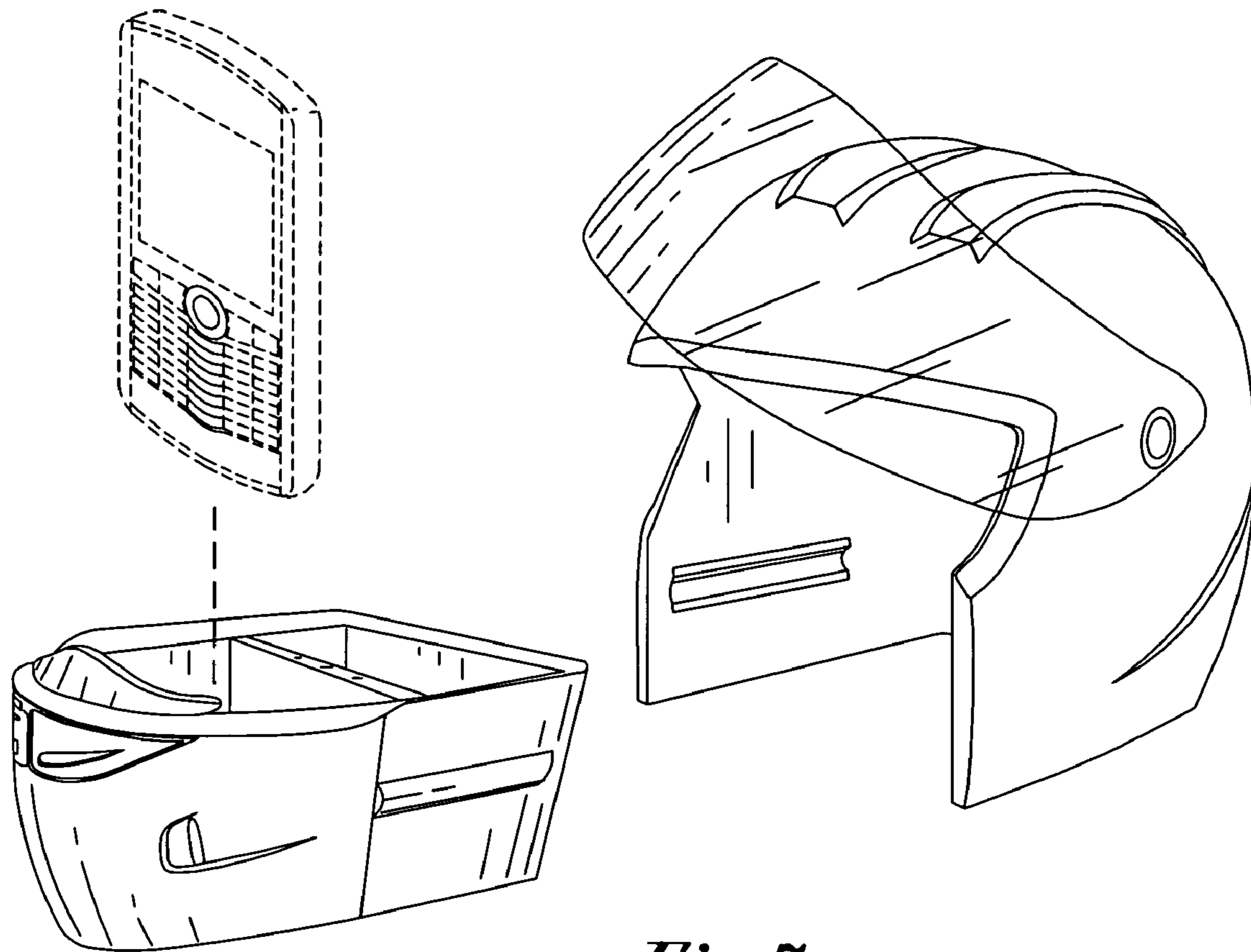


Fig. 7

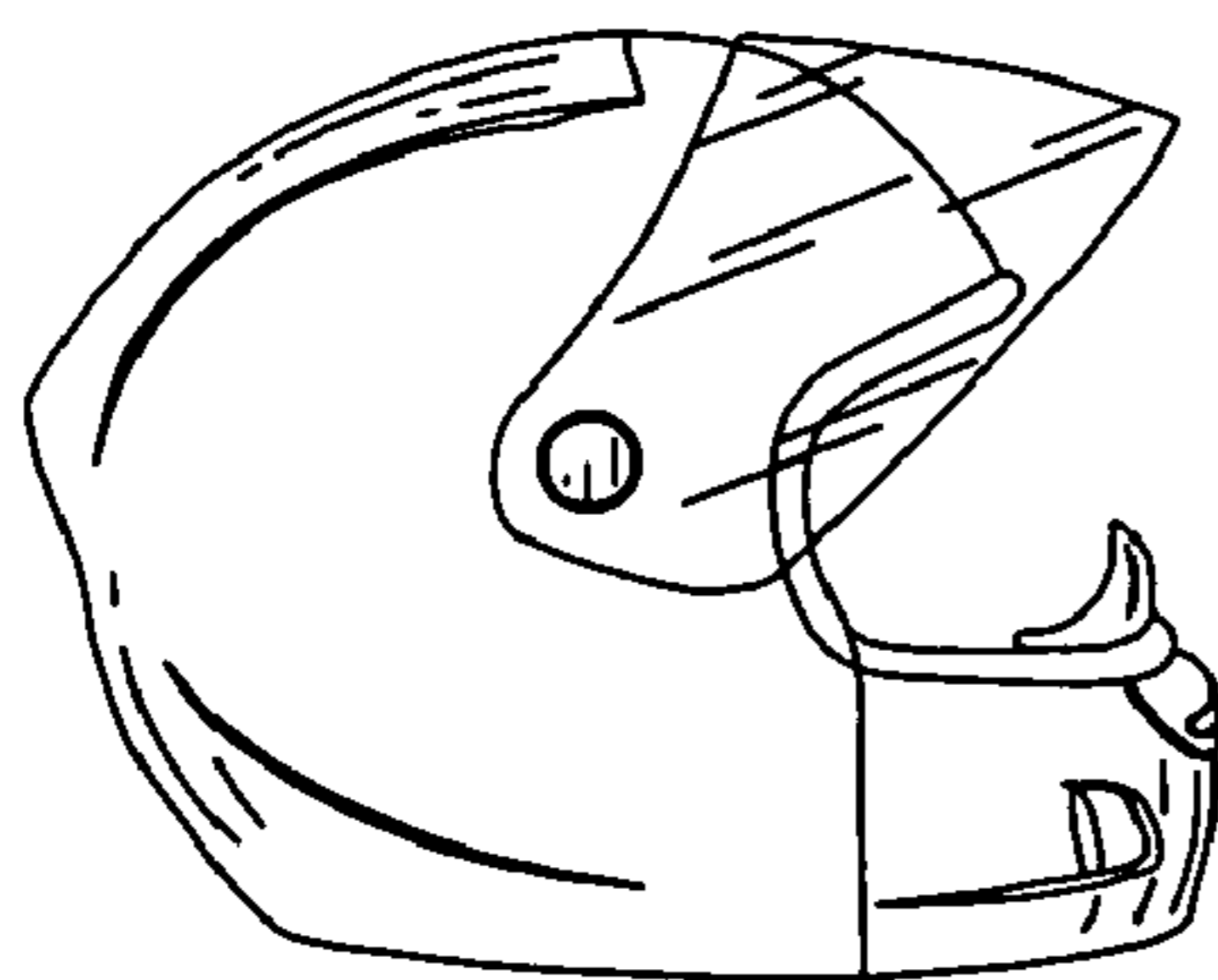


Fig. 8

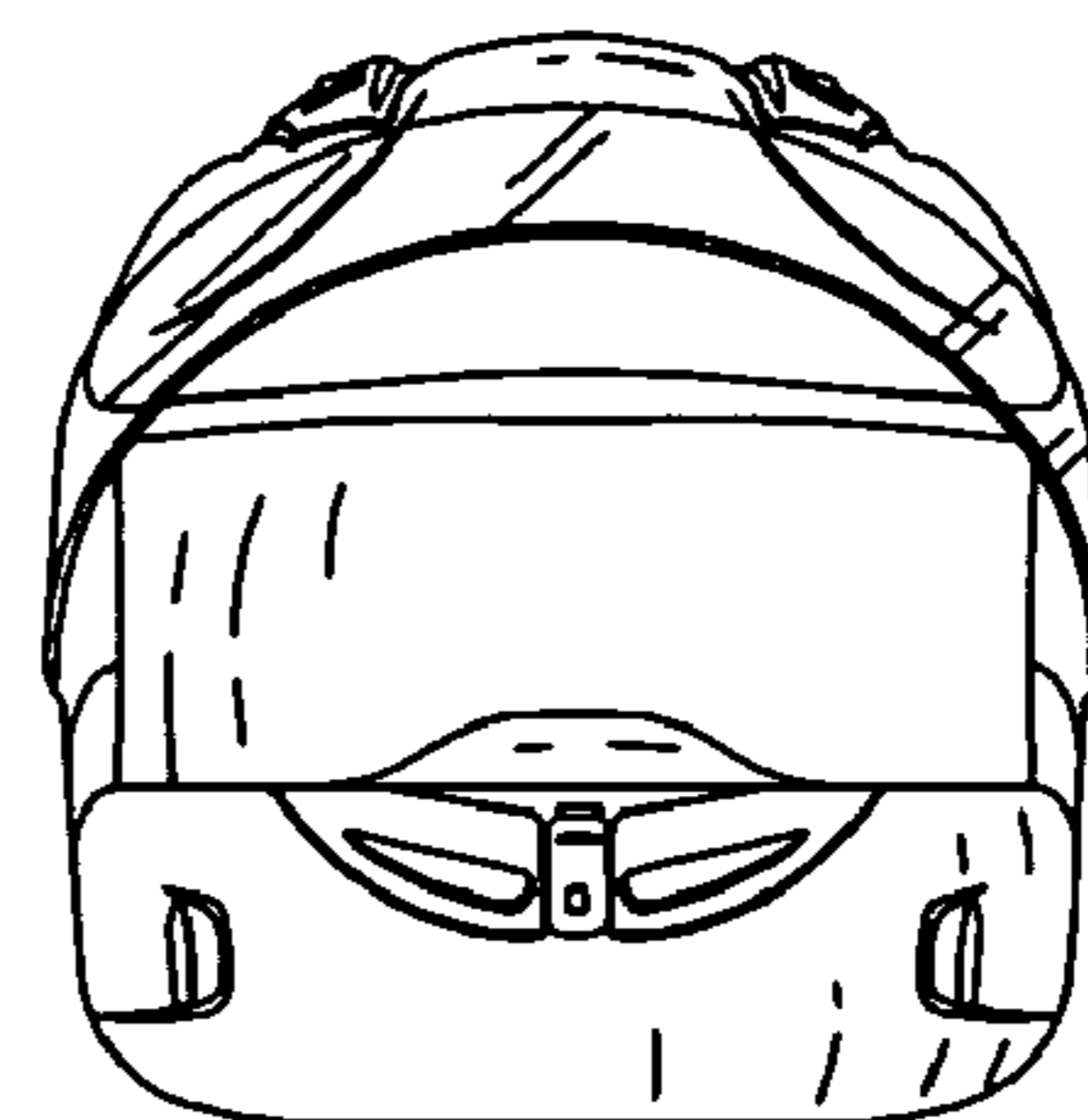


Fig. 9

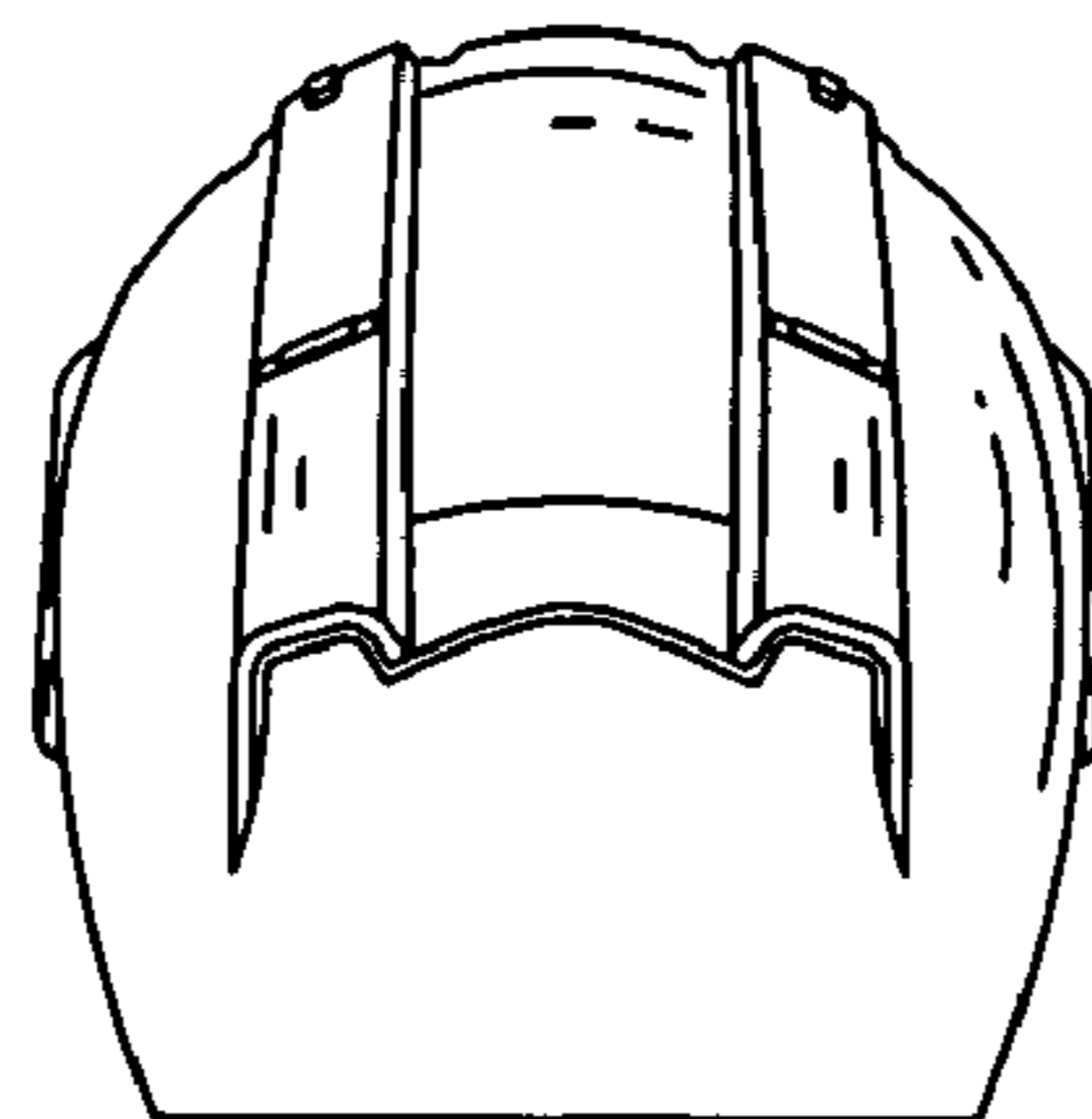


Fig. 10