



US00D589247S

(12) **United States Design Patent**
Headley

(10) **Patent No.:** **US D589,247 S**
(45) **Date of Patent:** **** Mar. 31, 2009**

(54) **UMBRELLA HANDLE**

(75) Inventor: **Ann Headley**, Cincinnati, OH (US)

(73) Assignee: **Totes Isotoner Corporation**, Cincinnati, OH (US)

(**) Term: **14 Years**

(21) Appl. No.: **29/318,631**

(22) Filed: **May 23, 2008**

(51) **LOC (9) Cl.** **03-03**

(52) **U.S. Cl.** **D3/12**

(58) **Field of Classification Search** D3/5-17;
D6/495; D8/107, DIG. 4-DIG. 8; 135/15.1,
135/16, 17, 19, 25.4, 65-68, 71-73, 77
See application file for complete search history.

(56) **References Cited**

U.S. PATENT DOCUMENTS

D94,048 S * 12/1934 Puckett D8/305

(Continued)

OTHER PUBLICATIONS

Coach, Classic Signature Folding Umbrella, http://www.coach.com/content/product.aspx?product_no=10980&category_id=547 (last accessed May 19, 2008).

Primary Examiner—T. Chase Nelson

Assistant Examiner—Anhdao Doan

(74) *Attorney, Agent, or Firm*—Frost Brown Todd LLC

(57) **CLAIM**

The ornamental design for an umbrella handle, as shown and described.

DESCRIPTION

The claimed device is used as a handle for an umbrella.

FIG. 1 is a perspective view of a first embodiment of an umbrella handle showing my new design;

FIG. 2 is a front elevation view thereof;

FIG. 3 is a rear elevation view thereof;

FIG. 4 is a side elevation view thereof, the opposite side being a mirror image thereof;

FIG. 5 is a bottom plan view thereof;

FIG. 6 is a top plan view thereof;

FIG. 7 is a perspective view of a second embodiment of an umbrella handle showing my new design;

FIG. 8 is a front elevation view thereof;

FIG. 9 is a rear elevation view thereof;

FIG. 10 is a side elevation view thereof, the opposite side being a mirror image thereof;

FIG. 11 is a bottom plan view thereof;

FIG. 12 is a top plan view thereof;

FIG. 13 is a perspective view of a third embodiment of an umbrella handle showing my new design;

FIG. 14 is a front elevation view thereof;

FIG. 15 is a rear elevation view thereof;

FIG. 16 is a side elevation view thereof, the opposite side being a mirror image thereof;

FIG. 17 is a bottom plan view thereof;

FIG. 18 is a top plan view thereof;

FIG. 19 is a perspective view of a fourth embodiment of an umbrella handle showing my new design;

FIG. 20 is a front elevation view thereof;

FIG. 21 is a rear elevation view thereof;

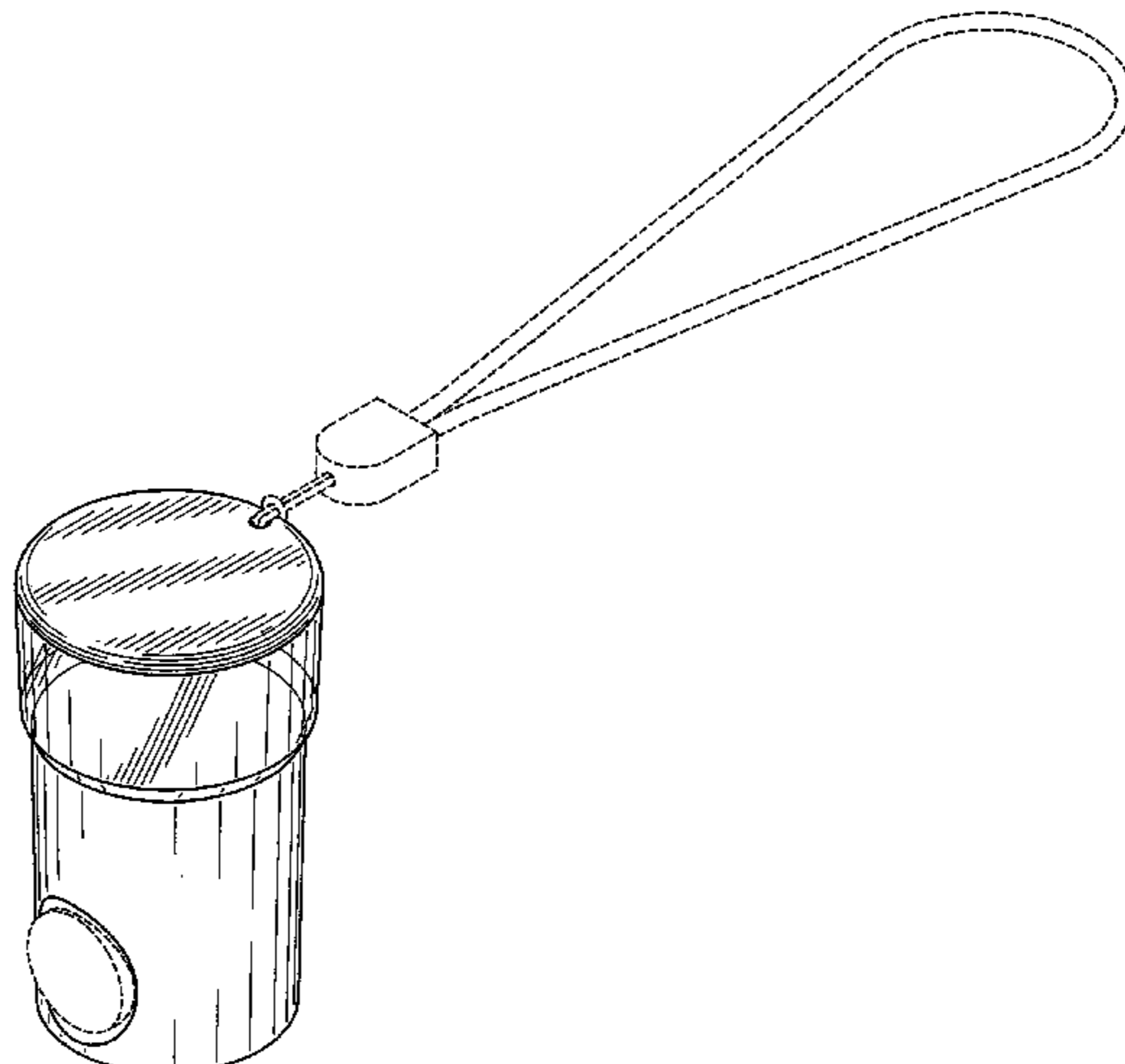
FIG. 22 is a side elevation view thereof, the opposite side being a mirror image thereof;

FIG. 23 is a bottom plan view thereof; and,

FIG. 24 is a top plan view thereof.

The broken lines in the drawings are included for the purposes of illustrating portions of the umbrella handle that form no part of the claimed design.

1 Claim, 16 Drawing Sheets



US D589,247 S

Page 2

U.S. PATENT DOCUMENTS

D96,052 S *	6/1935	Osterman	D3/13	6,199,571 B1 *	3/2001	Lin et al.	135/25
D284,713 S *	7/1986	Brinker	D3/12	D444,693 S *	7/2001	Griese et al.	D8/107
D316,777 S *	5/1991	Cain	D3/12	D473,708 S *	4/2003	Headley	D3/12
D422,192 S *	4/2000	Cleveland	D8/107	D491,349 S *	6/2004	Headley	D3/12
D433,793 S *	11/2000	San	D3/12	D552,341 S *	10/2007	Headley	D3/12
					2002/0157694 A1 *	10/2002	Chen	135/24

* cited by examiner

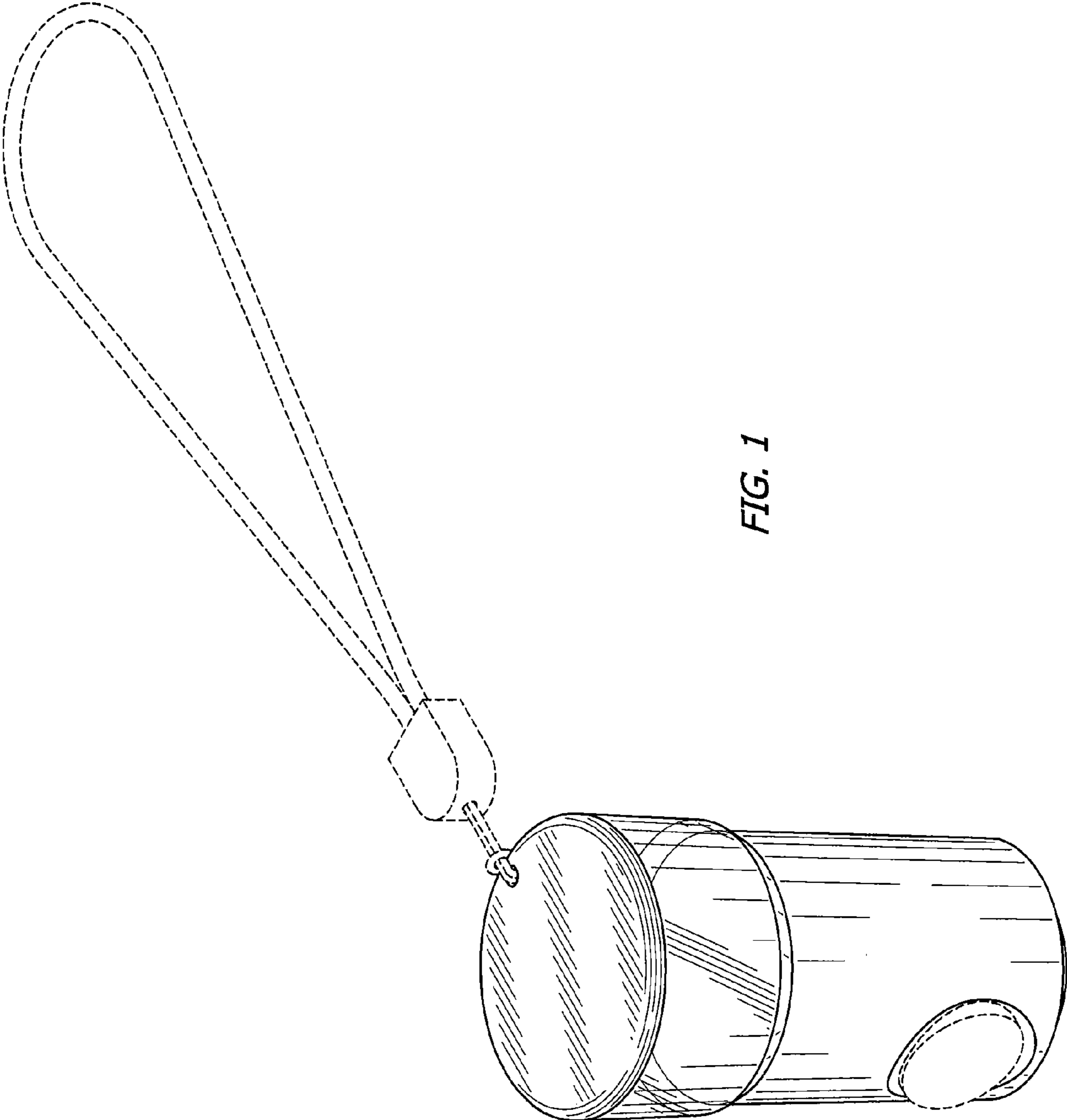


FIG. 1

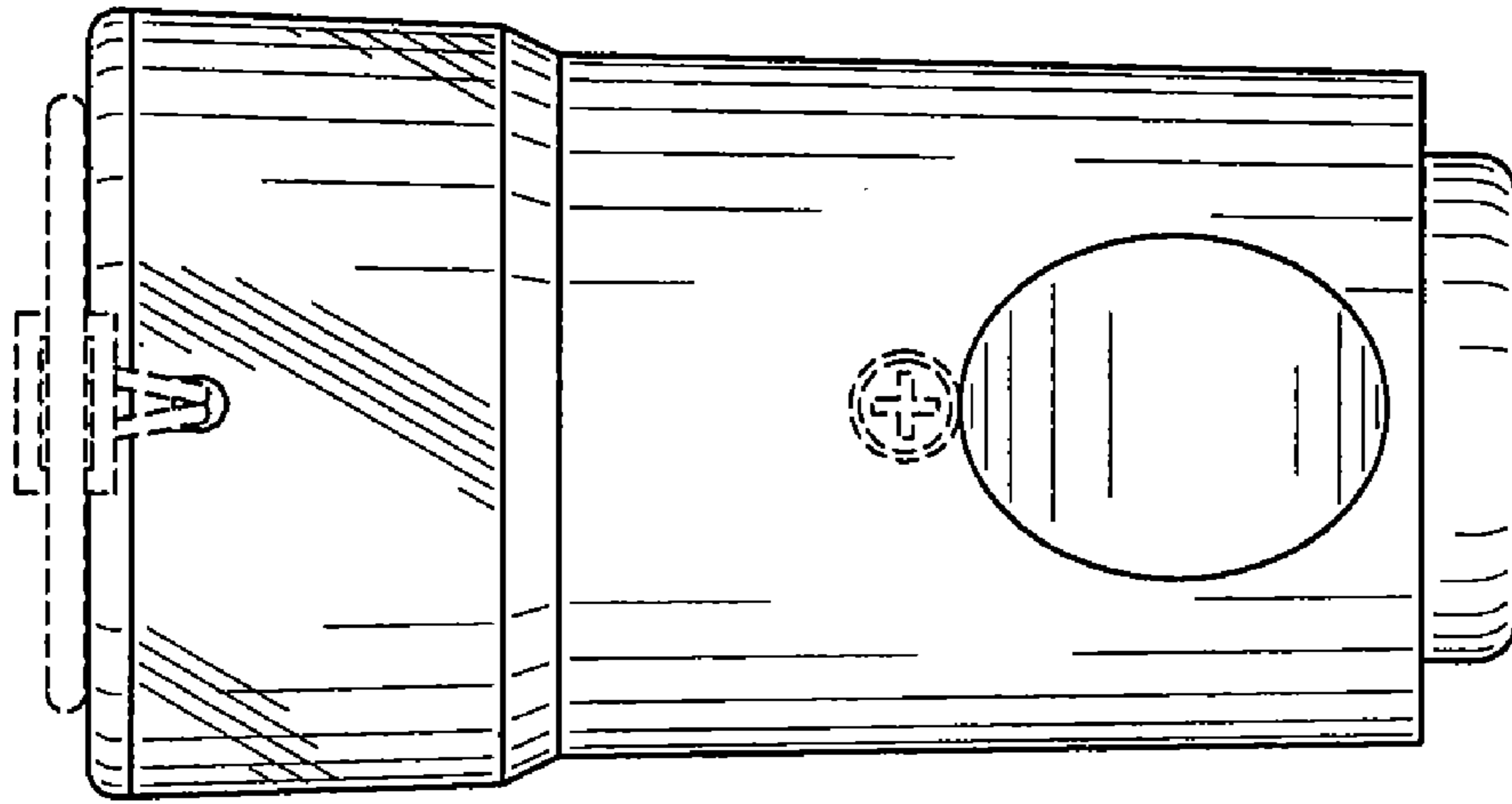


FIG. 2

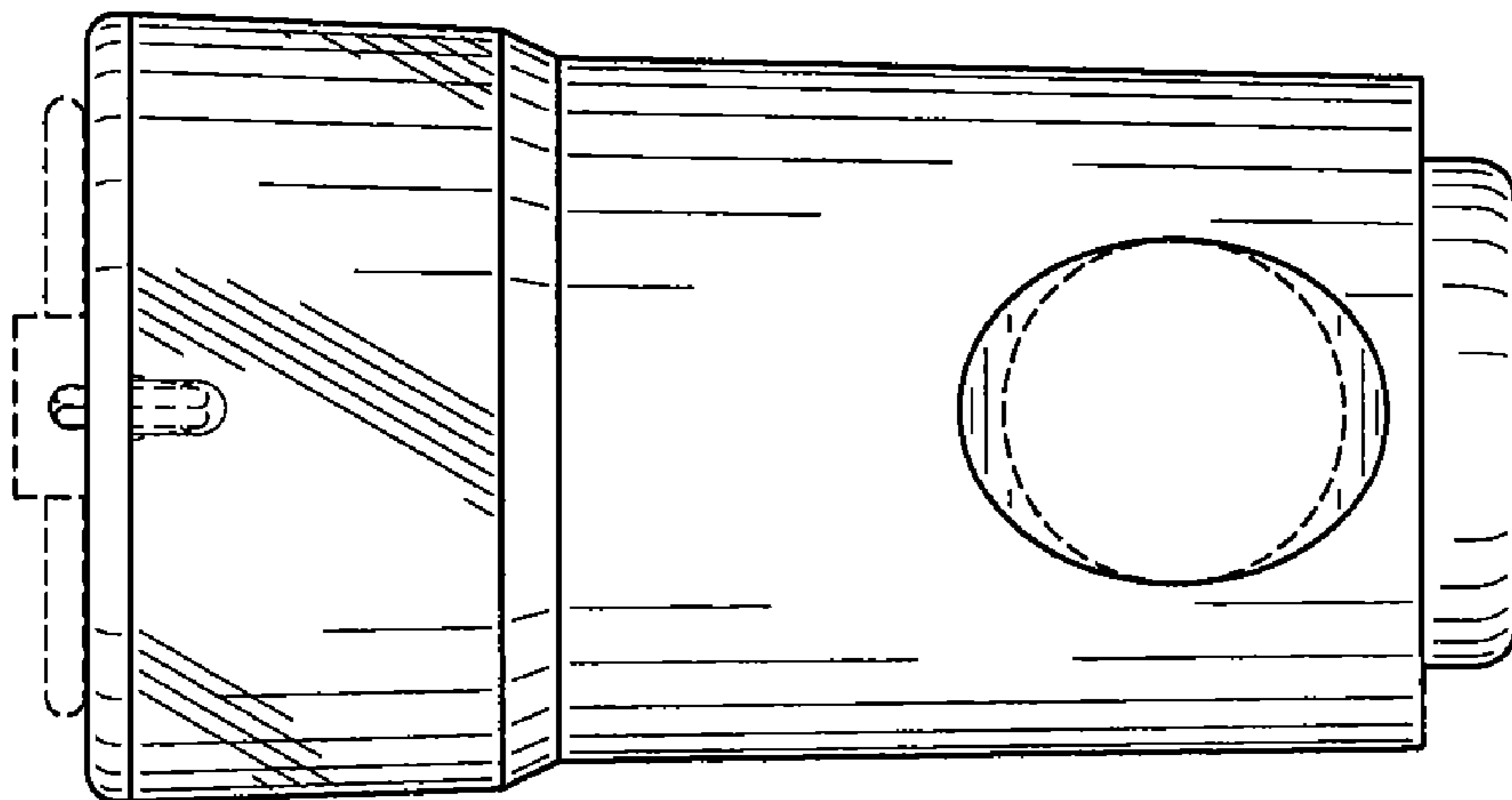


FIG. 3

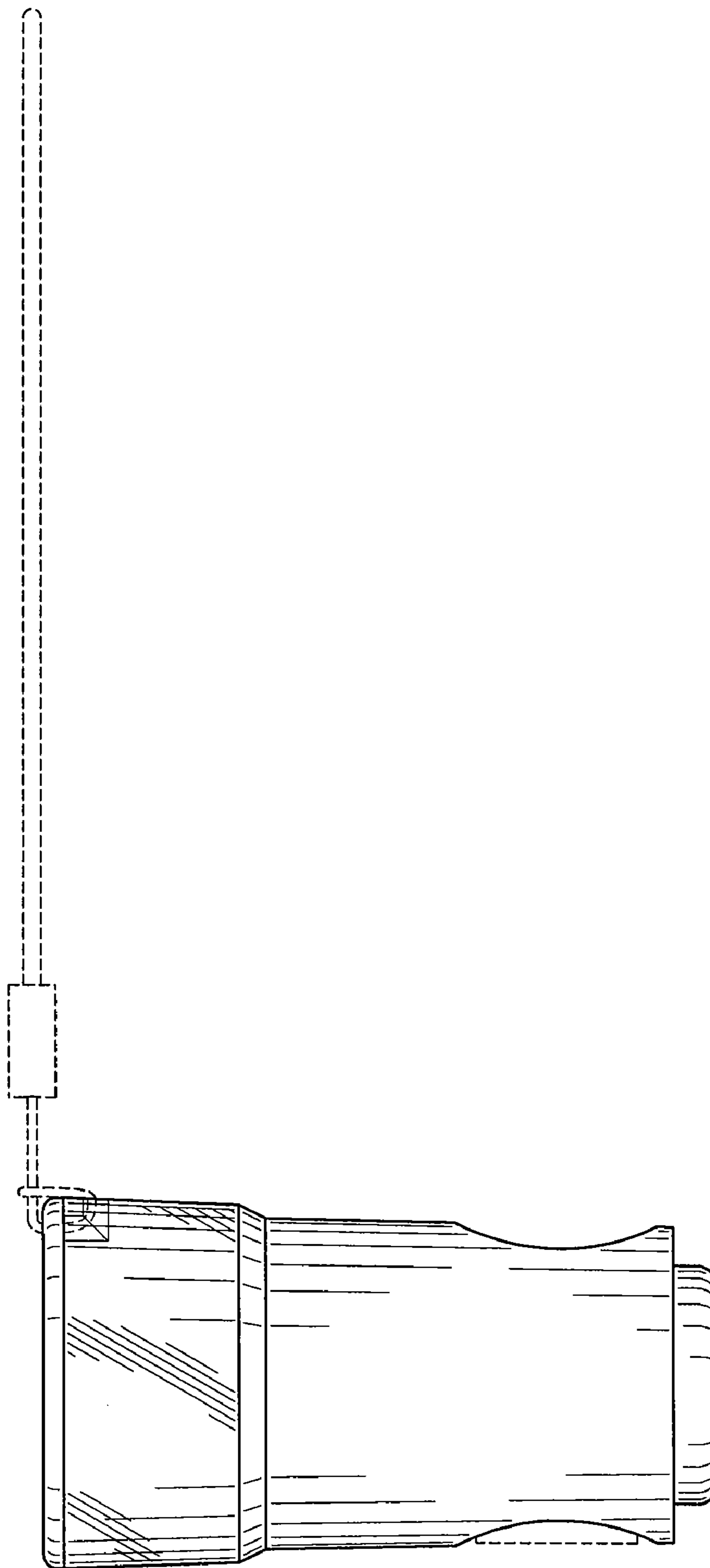


FIG. 4

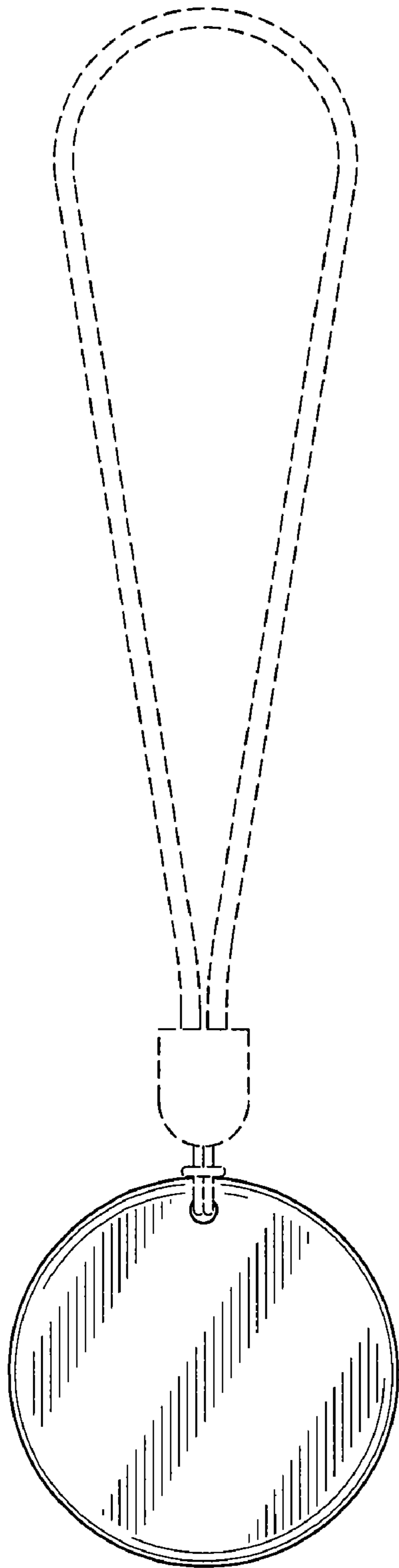


FIG. 5

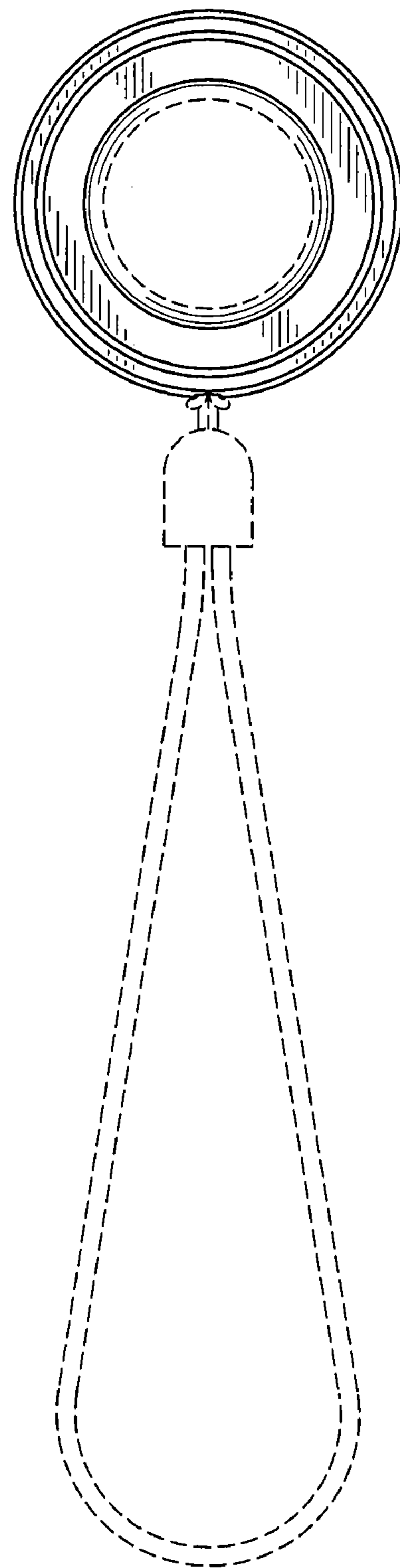


FIG. 6

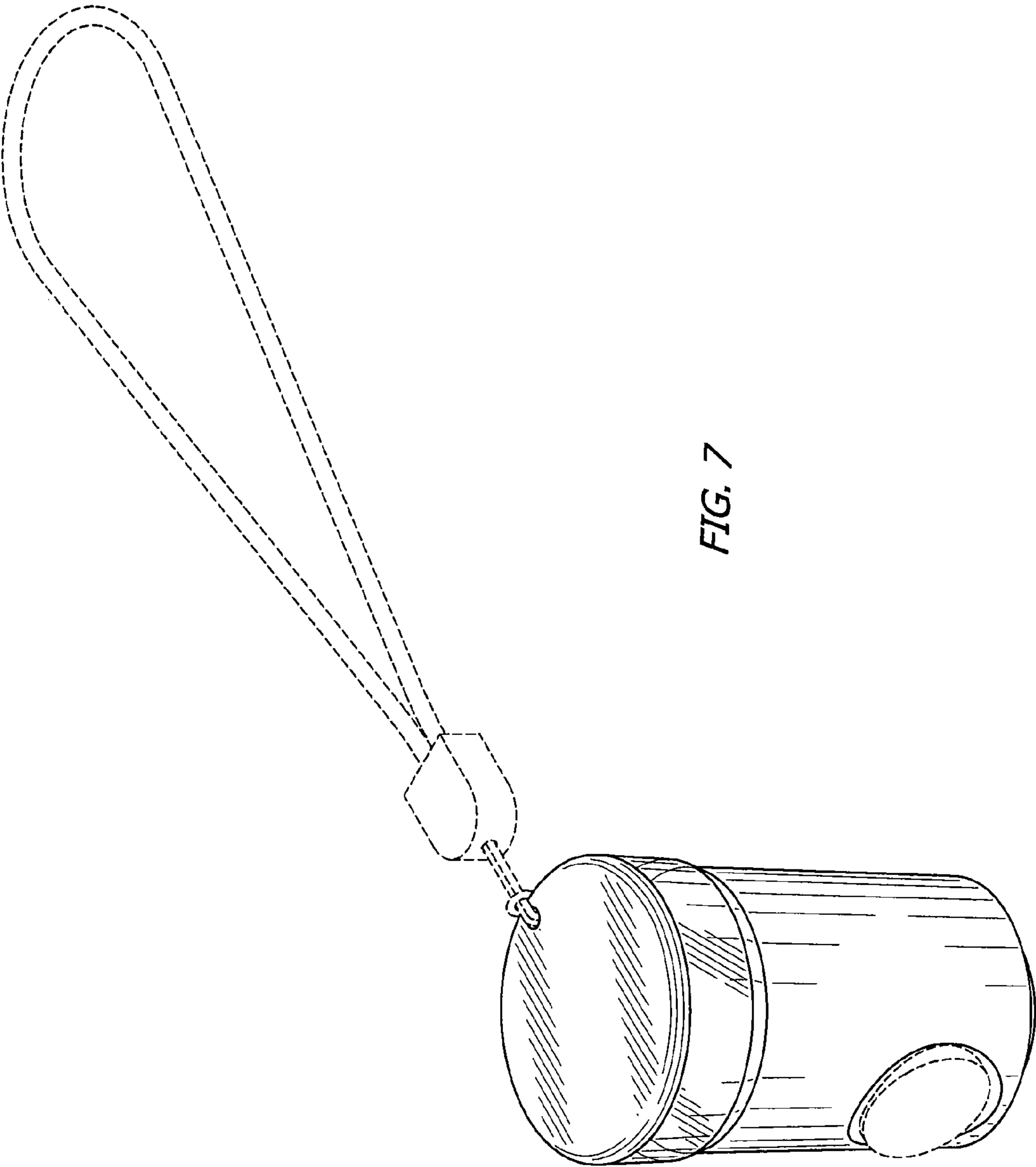


FIG. 7

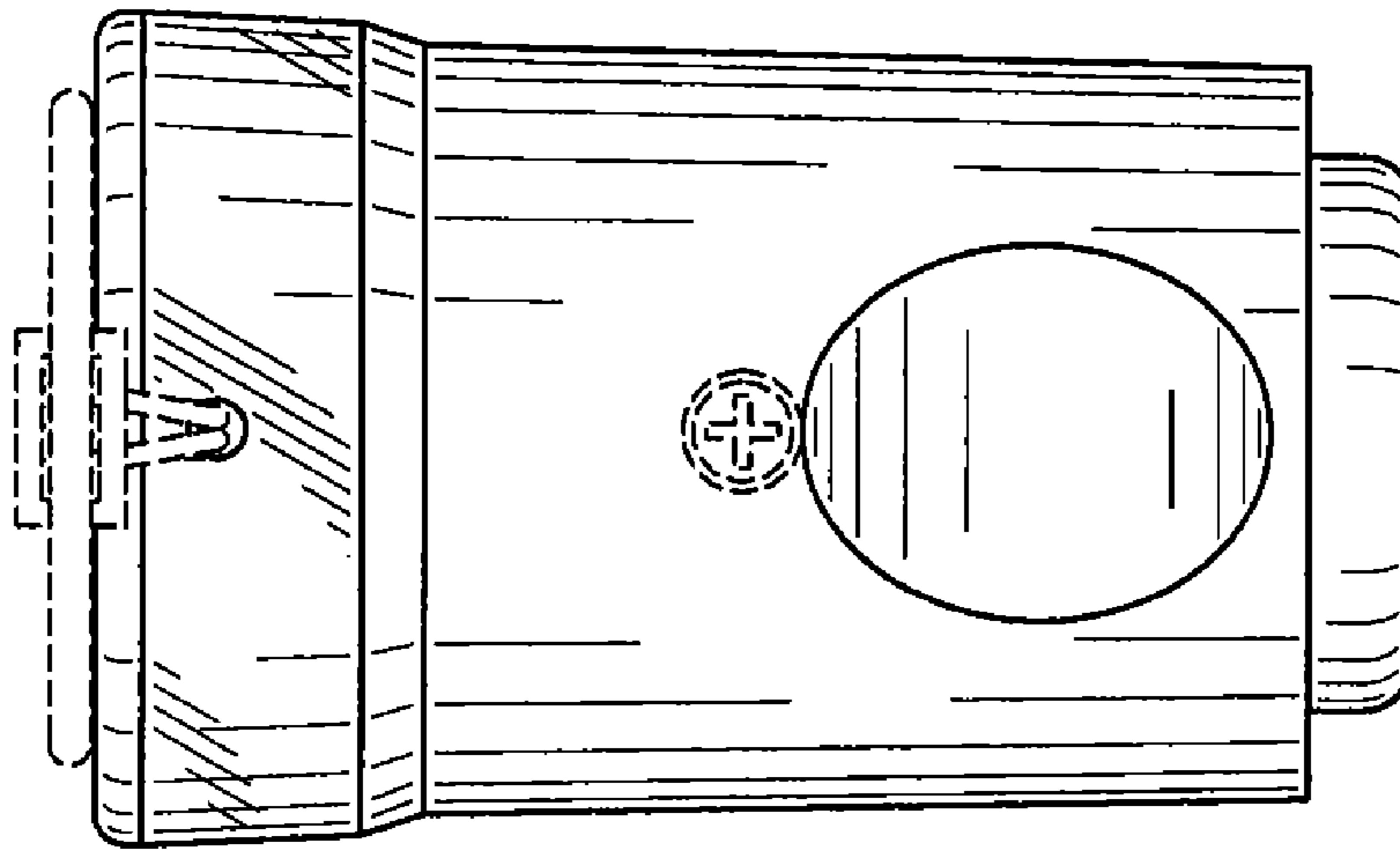


FIG. 9

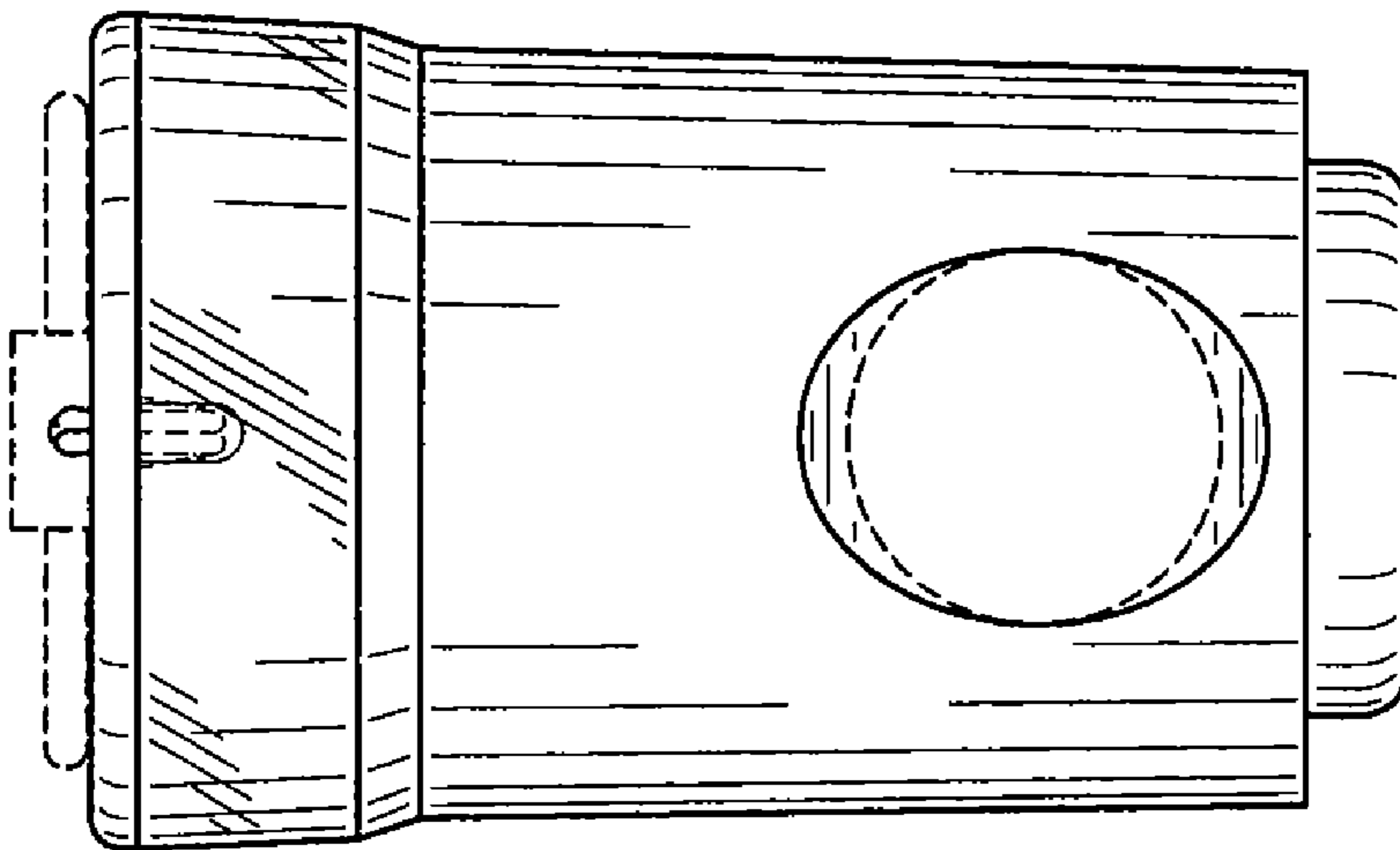


FIG. 8

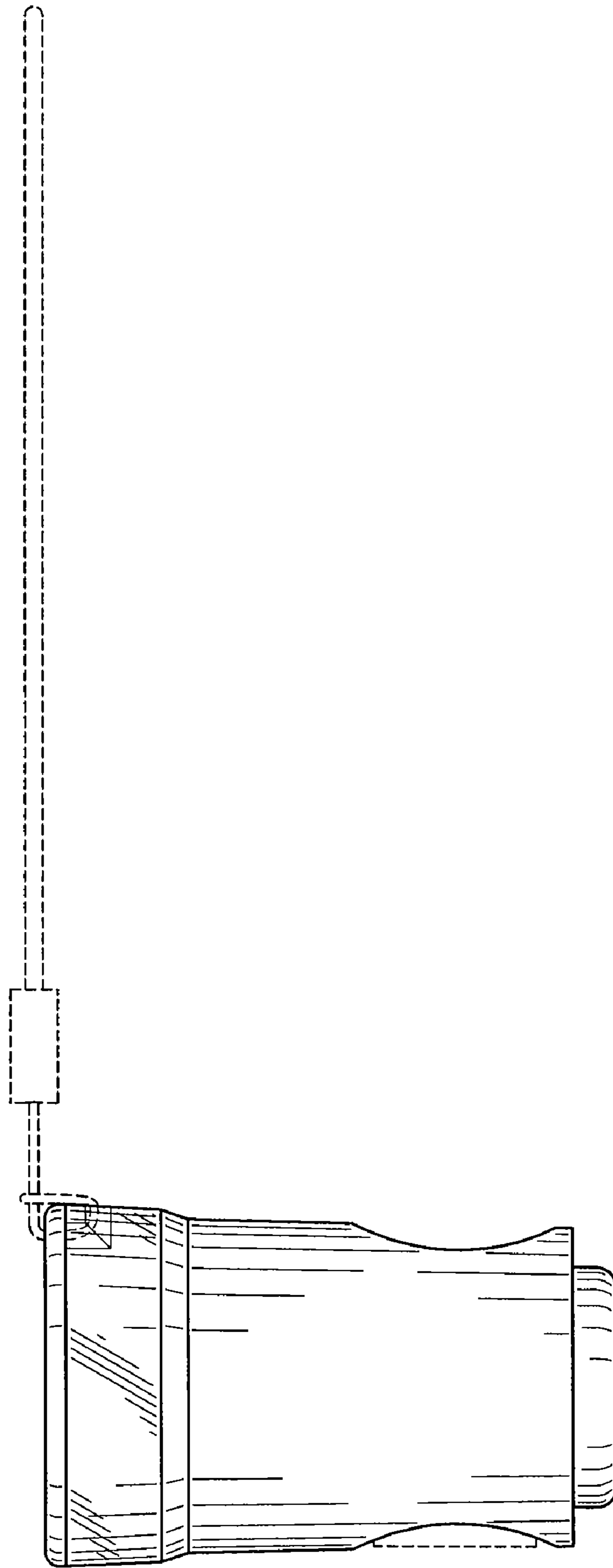


FIG. 10

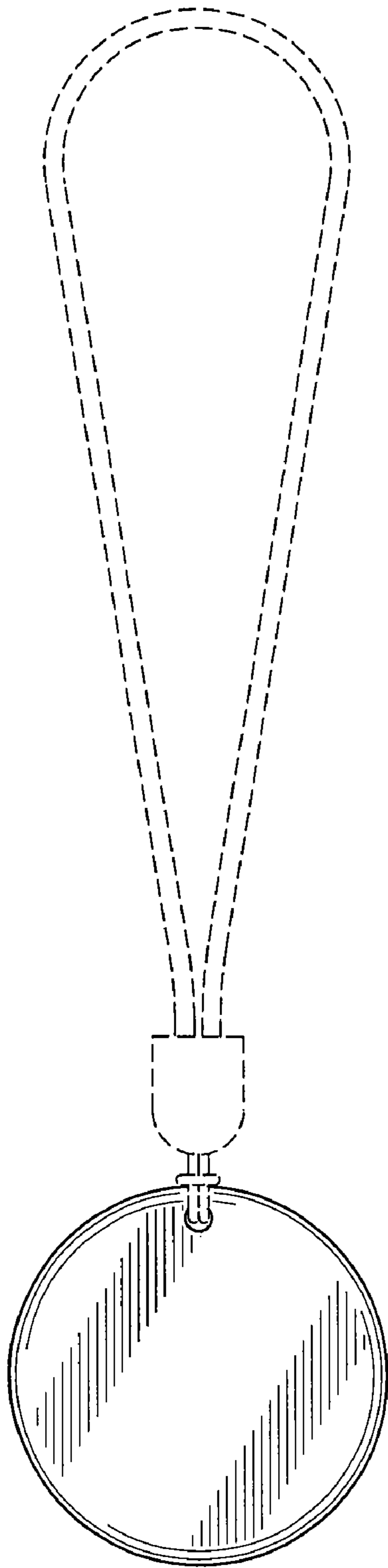


FIG. 11

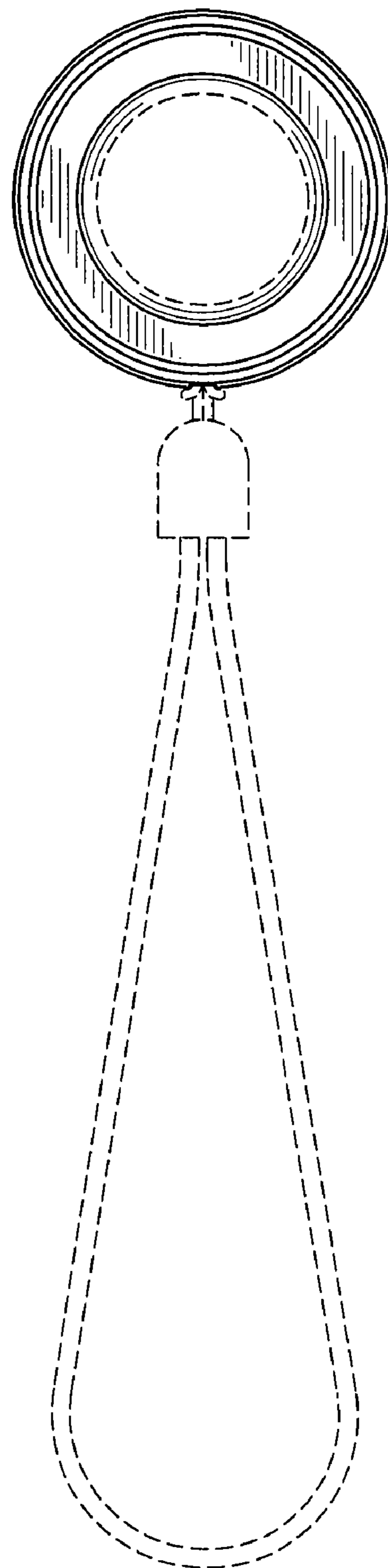


FIG. 12

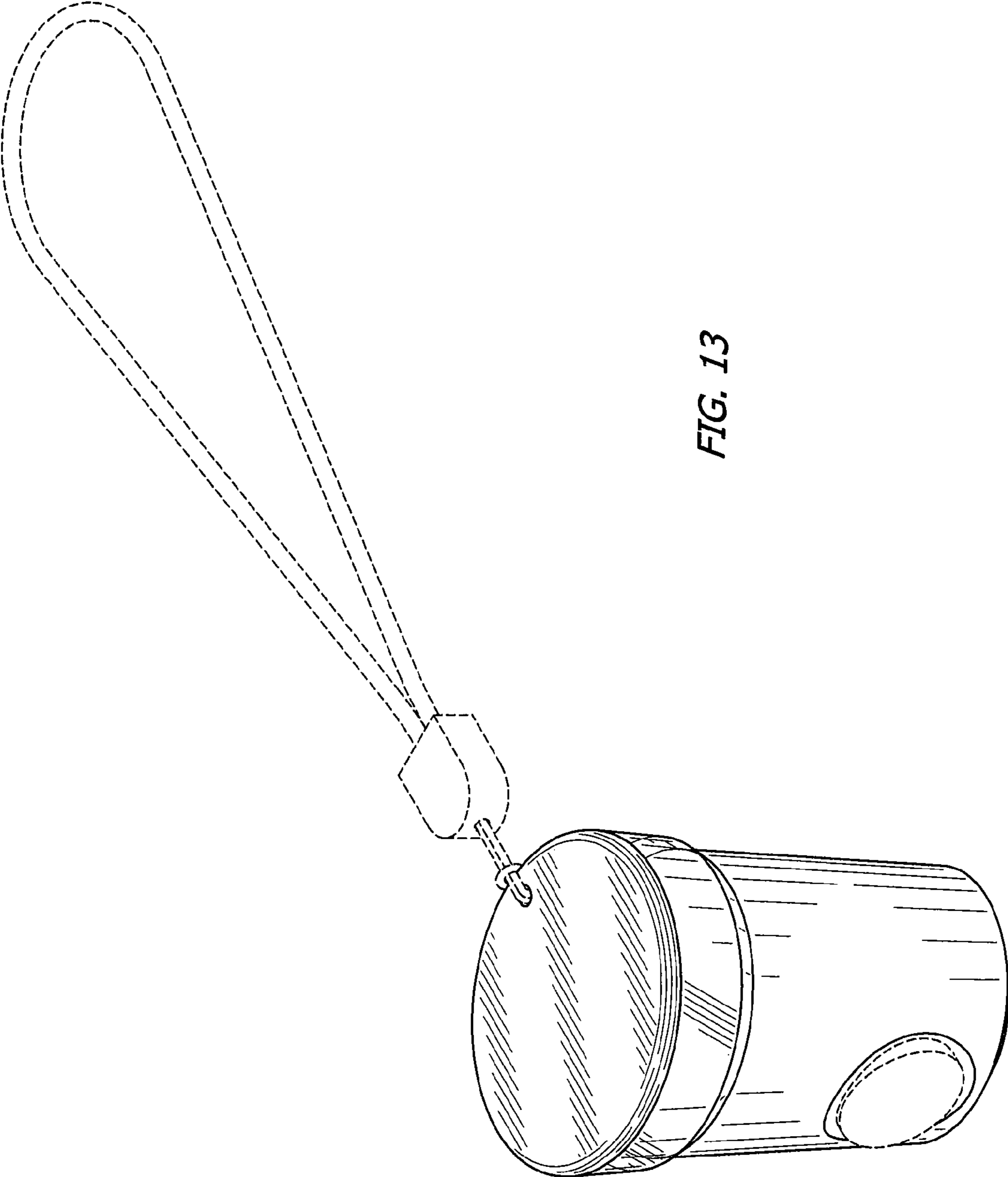


FIG. 13

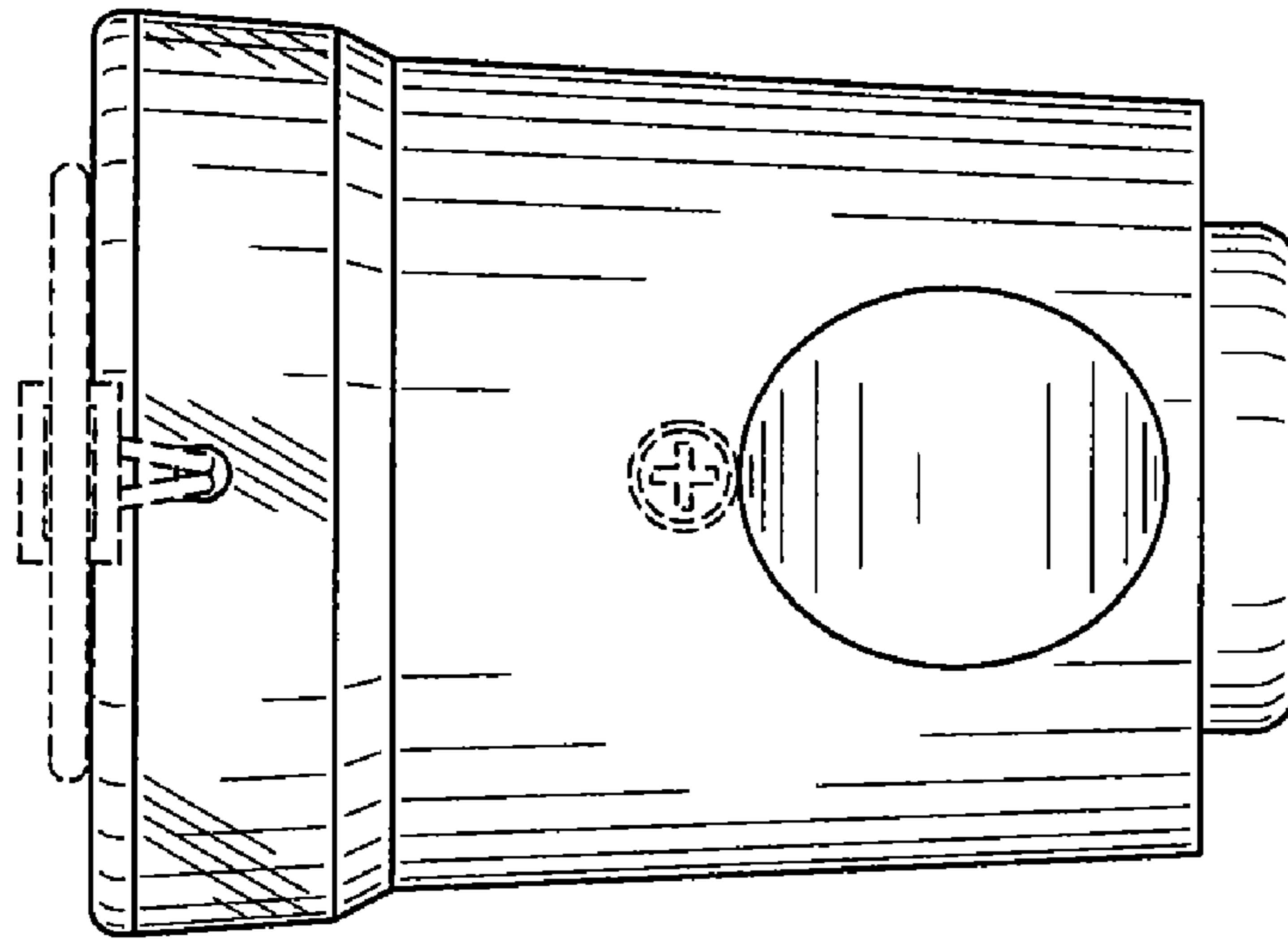


FIG. 15

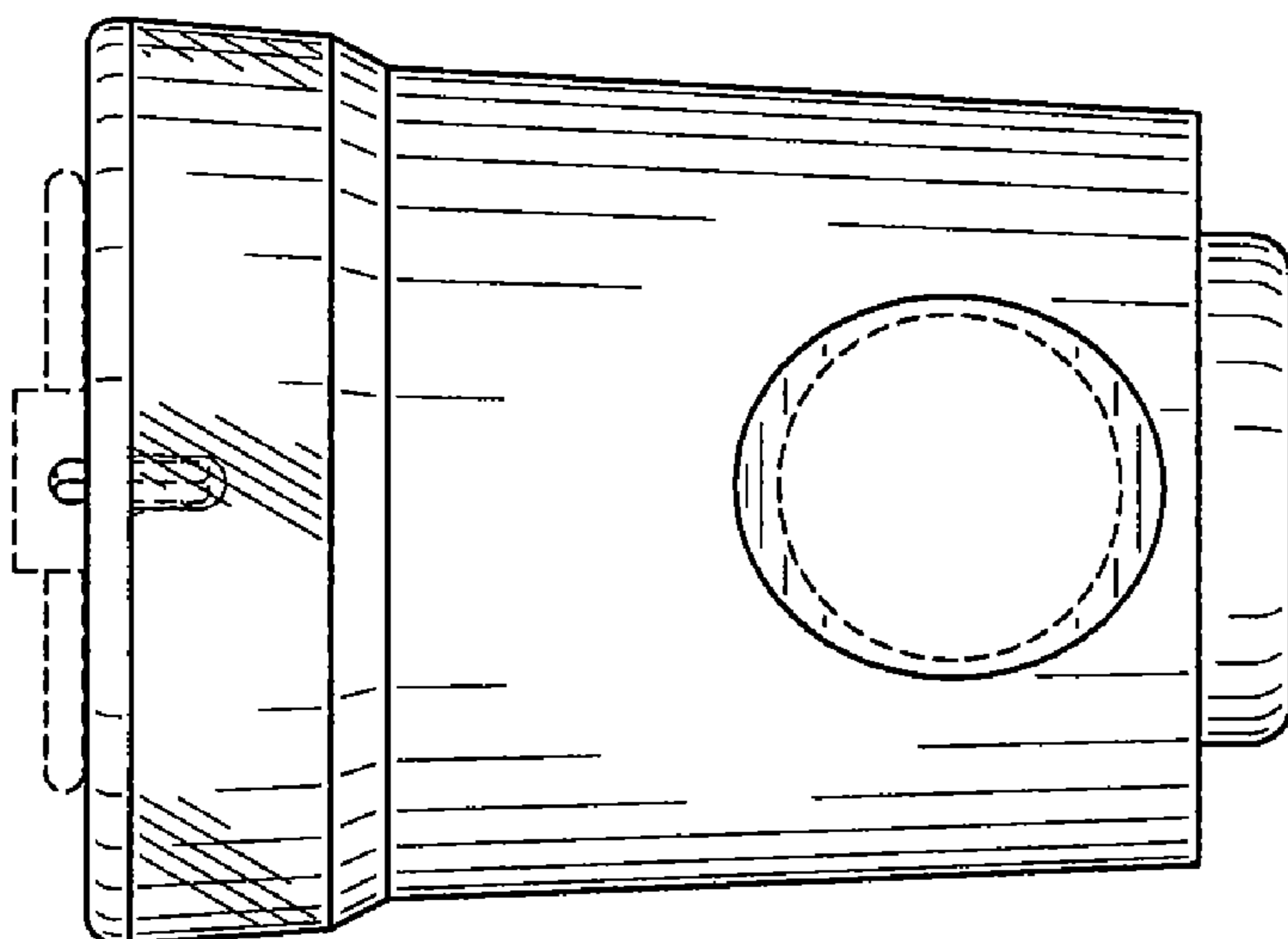


FIG. 14

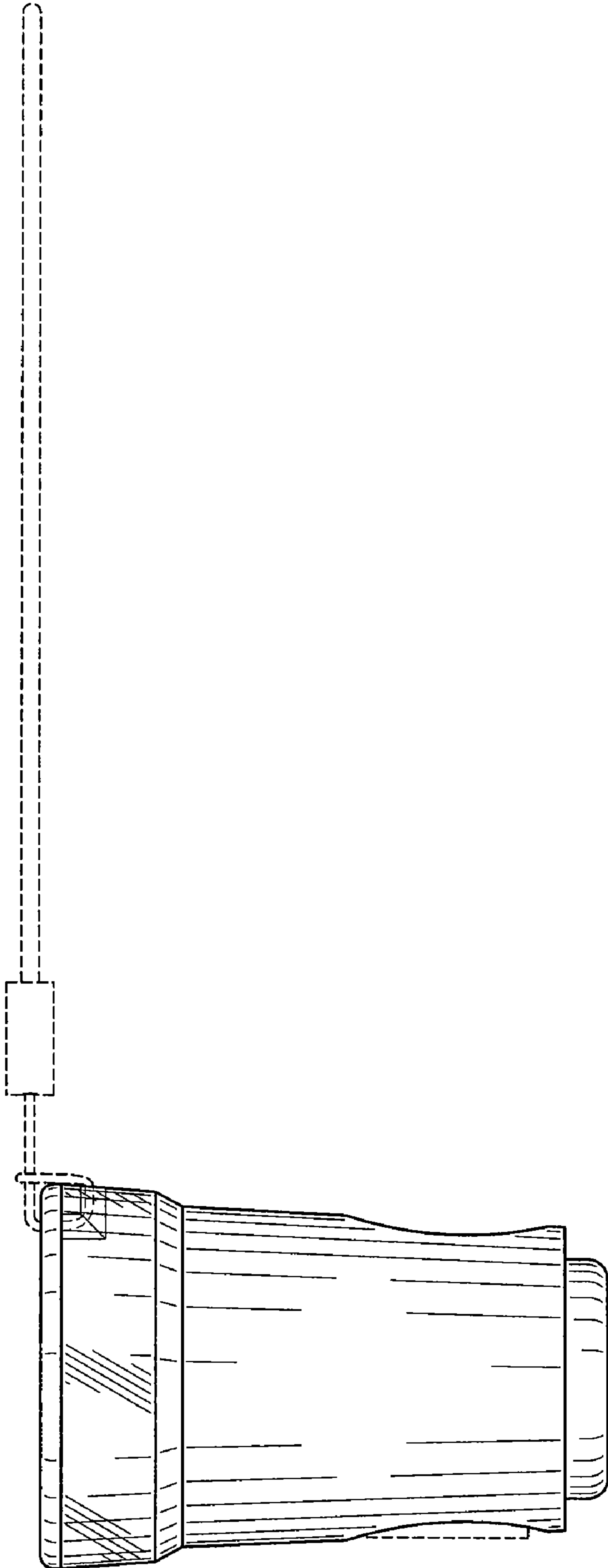


FIG. 16

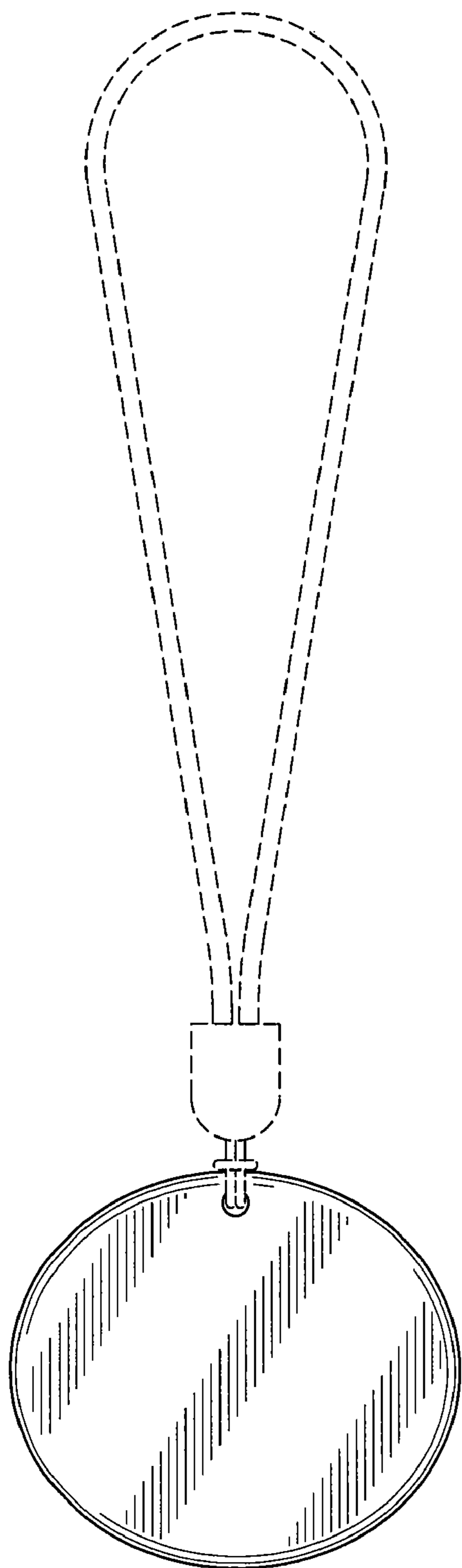


FIG. 17

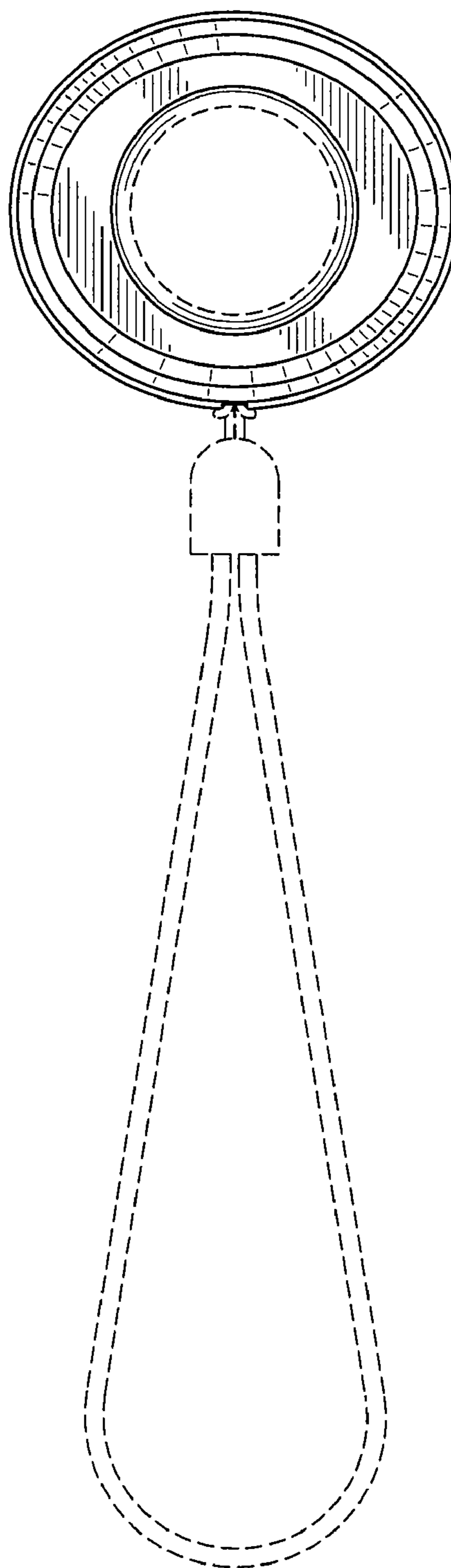


FIG. 18

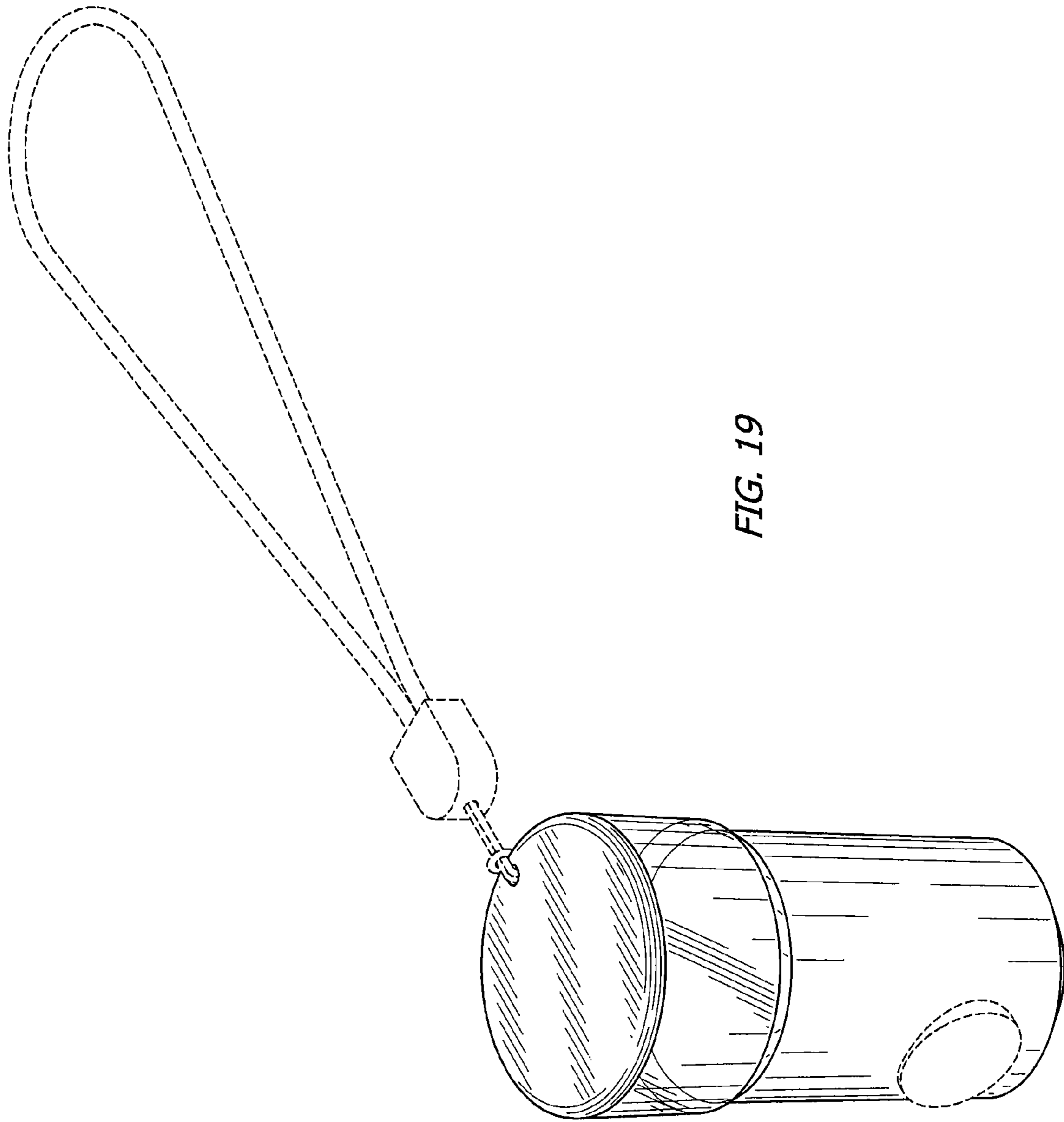


FIG. 19

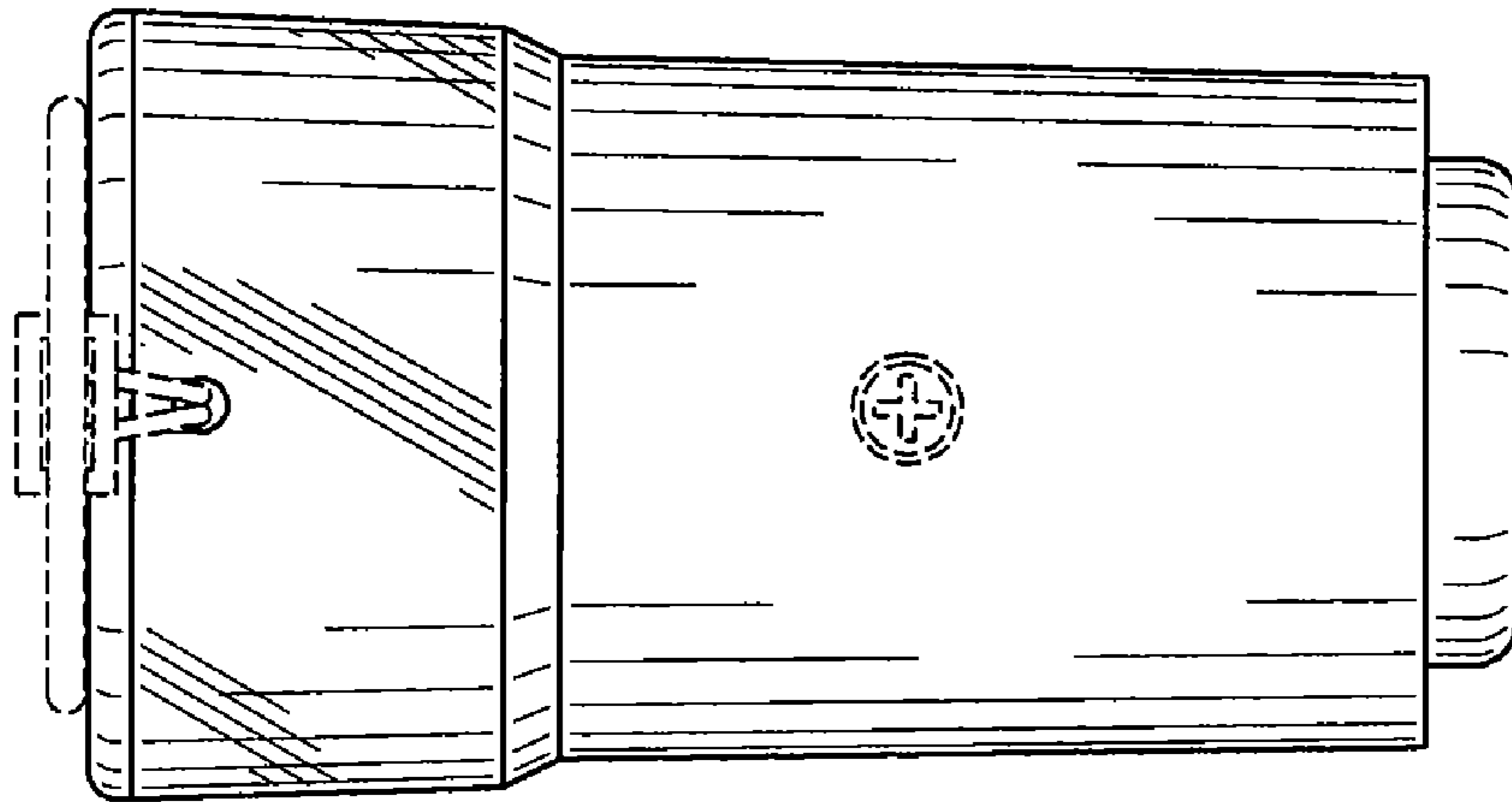


FIG. 21

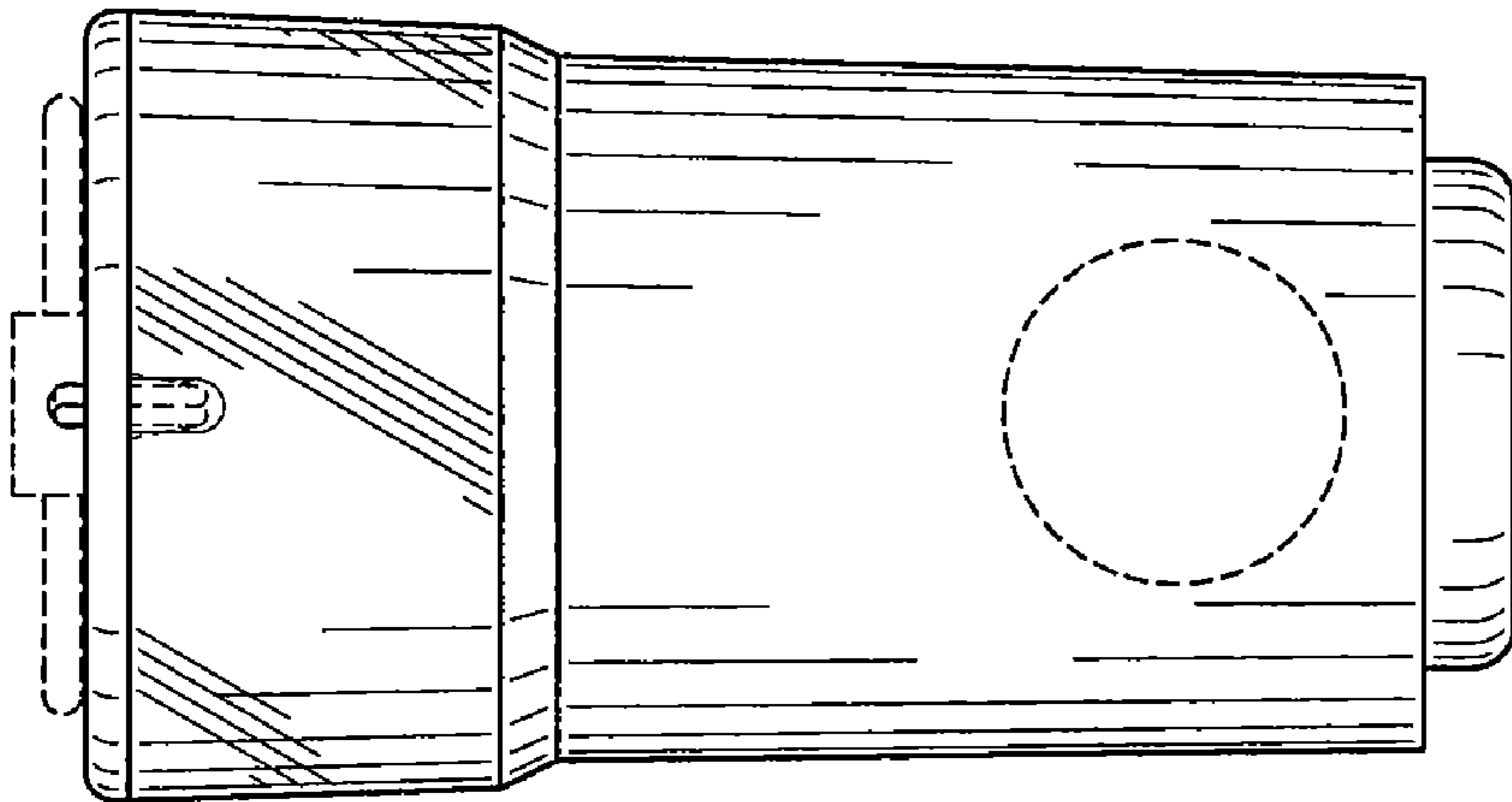


FIG. 20

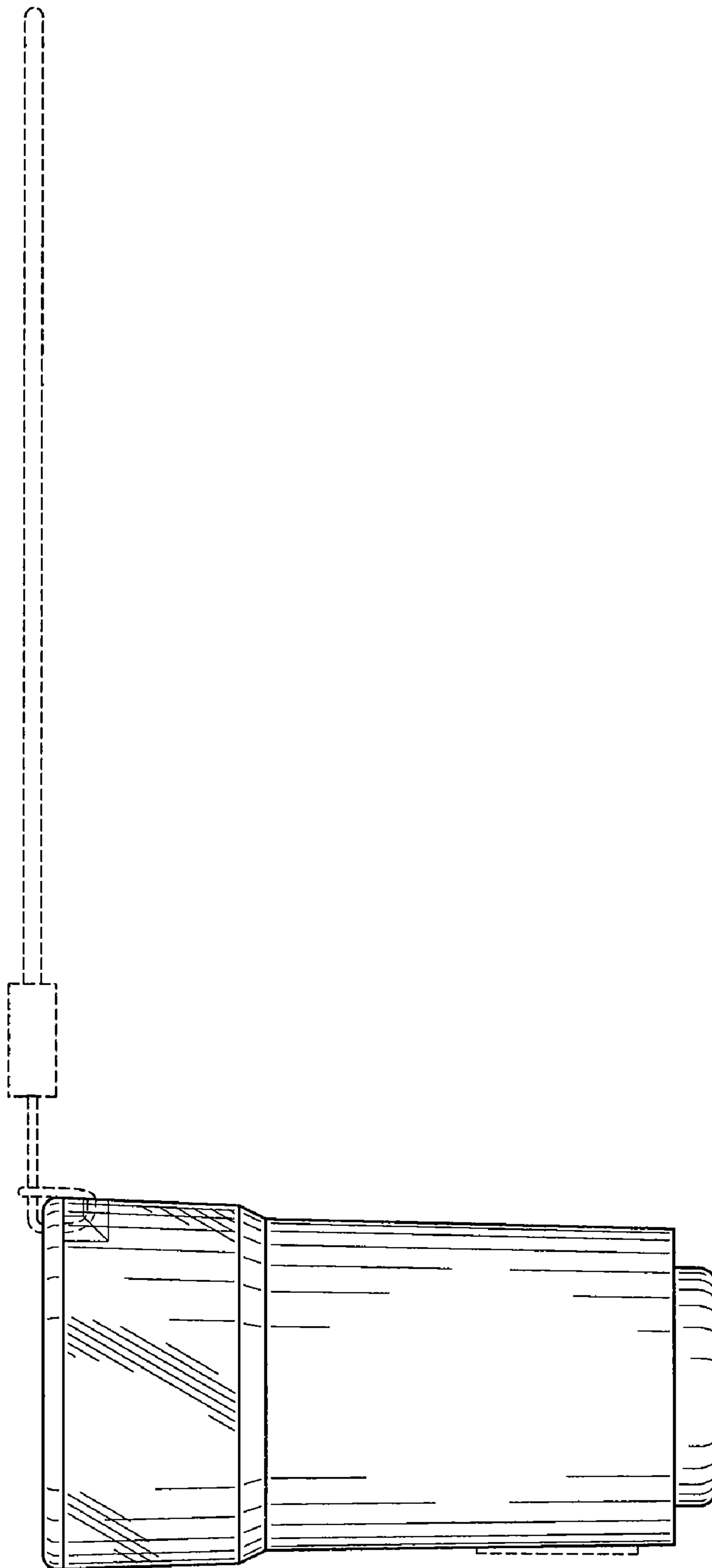


FIG. 22

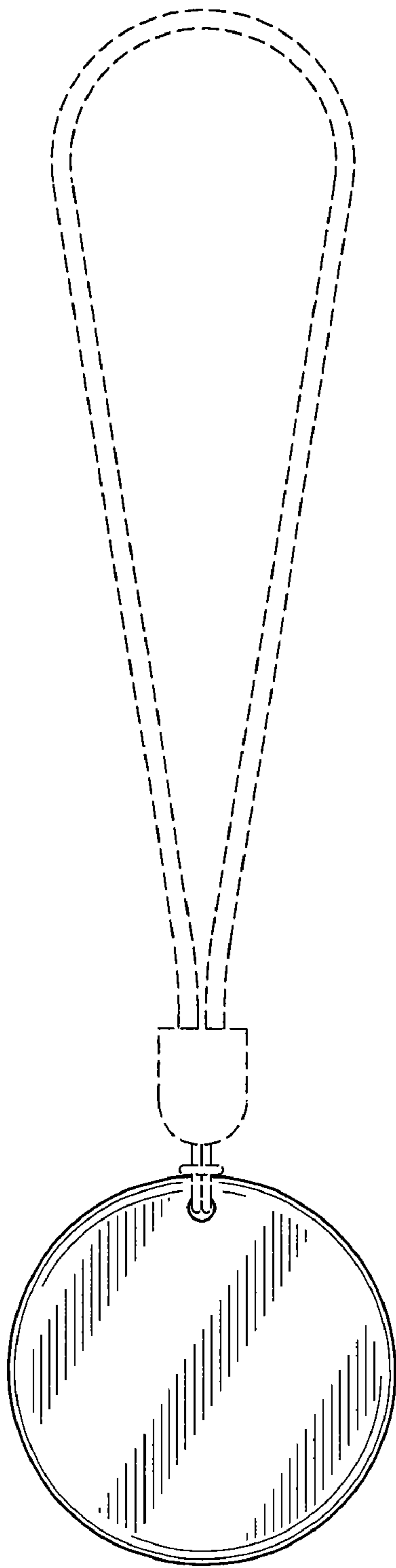


FIG. 23

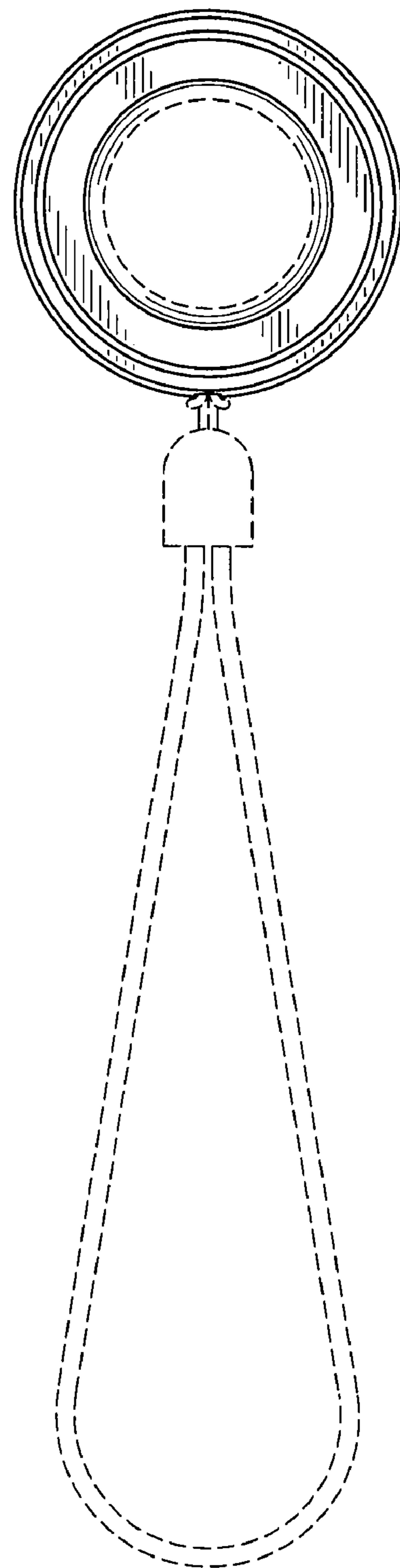


FIG. 24