

US00D589240S

(12) **United States Design Patent**  
**McClaskie**

(10) **Patent No.:** **US D589,240 S**  
(45) **Date of Patent:** **\*\* Mar. 31, 2009**

- (54) **OUTSOLE FOR A SHOE**
  - (75) Inventor: **Thomas E. McClaskie**, Bethlehem, PA (US)
  - (73) Assignee: **Columbia Insurance Company**, Omaha, NE (US)
  - (\*\*) Term: **14 Years**
  - (21) Appl. No.: **29/305,072**
  - (22) Filed: **Mar. 13, 2008**
  - (51) **LOC (9) Cl.** ..... **02-04**
  - (52) **U.S. Cl.** ..... **D2/952; D2/951; D2/953**
  - (58) **Field of Classification Search** ..... D2/902, D2/947, 949, 951, 953, 957, 959, 960, 954, D2/956, 952; D5/6, 37, 45, 66; 36/59 R, 36/8.4, 3 B, 22 R, 25 R
- See application file for complete search history.

- 4,366,629 A 1/1983 Scherz
- 4,562,652 A 1/1986 Hensler
- 4,908,963 A 3/1990 Krajcir et al.
- 4,995,174 A 2/1991 Hong et al.
- 5,048,203 A 9/1991 Kling
- 5,185,944 A 2/1993 Okajima
- D335,953 S 6/1993 Tyng
- D345,453 S 3/1994 Carpenter
- 5,499,459 A 3/1996 Tomaro
- 5,526,584 A 6/1996 Bleimhofer et al.
- D381,494 S 7/1997 Anderson
- D384,798 S 10/1997 Gray
- 5,738,937 A 4/1998 Baychar
- D402,449 S 12/1998 Robinson et al.
- D430,968 S 9/2000 Carroll
- 6,161,315 A 12/2000 Dalton

(Continued)

*Primary Examiner*—Celia A Murphy  
(74) *Attorney, Agent, or Firm*—St. Onge Steward Johnston & Reens LLC

(56) **References Cited**

U.S. PATENT DOCUMENTS

- D42,236 S \* 2/1912 Rothschild ..... D5/45
- 1,974,543 A 1/1934 Reymond
- 2,046,217 A 6/1936 Strauss
- 2,079,237 A 5/1937 Allard
- D106,638 S \* 10/1937 Roberson ..... D5/45
- D111,871 S \* 10/1938 Blumenthal ..... D5/7
- 2,160,768 A 5/1939 Wasser
- D116,931 S \* 10/1939 Greenblatt ..... D2/942
- 2,344,069 A 3/1944 Wasser
- D160,236 S \* 9/1950 Wintrich ..... D5/45
- 3,091,871 A 6/1963 Tronche
- 3,175,310 A 3/1965 MacQuaid
- 3,175,311 A 3/1965 MacQuaid
- 3,191,321 A 6/1965 Brutting
- 3,213,551 A 10/1965 Krauss
- 3,407,518 A 10/1968 MacQuaid et al.
- 3,525,165 A 8/1970 Randall, Jr.
- 3,561,142 A 2/1971 Streit, Sr. et al.
- D256,518 S 8/1980 Moesle
- 4,231,170 A 11/1980 Griswold

(57) **CLAIM**

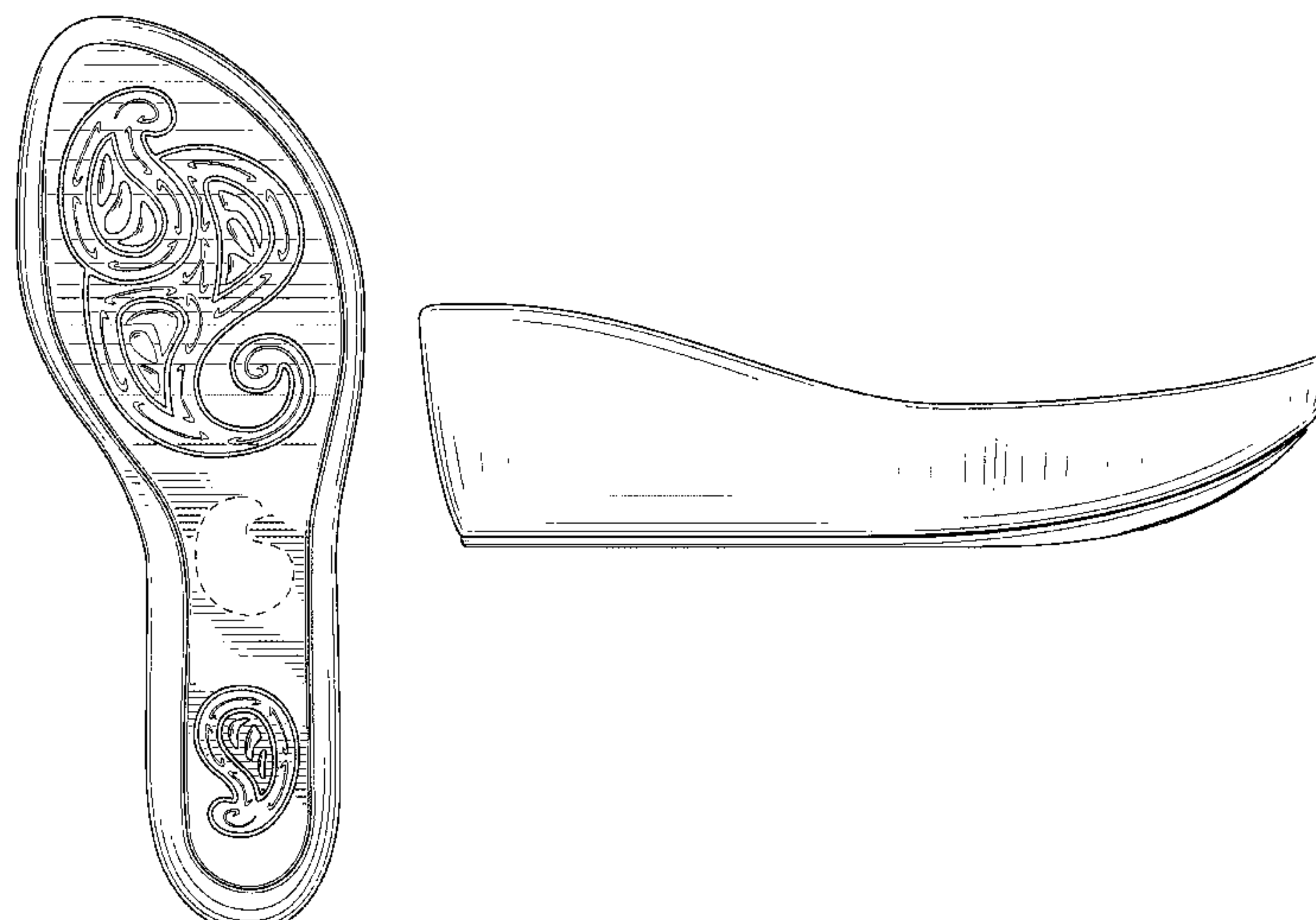
The ornamental design for outsole for a shoe, as shown and described.

**DESCRIPTION**

FIG. 1 is a bottom perspective view of an outsole for a shoe showing my new design;  
FIG. 2 is a bottom view thereof;  
FIG. 3 is a left side view thereof;  
FIG. 4 is a right side view thereof;  
FIG. 5 is a front view thereof;  
FIG. 6 is a rear view thereof; and,  
FIG. 7 is an enlarged perspective view of the area labeled “7” in FIG. 1.

The broken lines shown in the arch area of FIGS. 1–2 represent boundaries of the design with the lines themselves and the areas within them forming no part of the claim.

**1 Claim, 6 Drawing Sheets**



# US D589,240 S

Page 2

---

## U.S. PATENT DOCUMENTS

D468,083 S	1/2003	Morais		
D483,555 S	12/2003	Robinson, Jr. et al.		
D501,707 S	2/2005	Nakano		
D528,747 S	* 9/2006	Issler	.....	D2/916
D530,063 S	* 10/2006	Issler	.....	D2/916
D531,787 S	* 11/2006	McClaskie	.....	D2/952
D540,515 S	* 4/2007	McClaskie	.....	D2/952
D542,015 S	* 5/2007	McClaskie	.....	D2/952
D553,832 S	* 10/2007	McClaskie	.....	D2/952
D555,338 S	* 11/2007	McClaskie	.....	D2/952
D555,890 S	* 11/2007	McClaskie	.....	D2/962
D557,883 S	* 12/2007	McClaskie	.....	D2/952
D559,506 S	* 1/2008	McClaskie	.....	D2/952
D560,052 S	* 1/2008	McClaskie	.....	D2/952
D560,333 S	* 1/2008	McClaskie	.....	D2/952
D568,034 S	* 5/2008	Horton et al.	.....	D2/952

\* cited by examiner

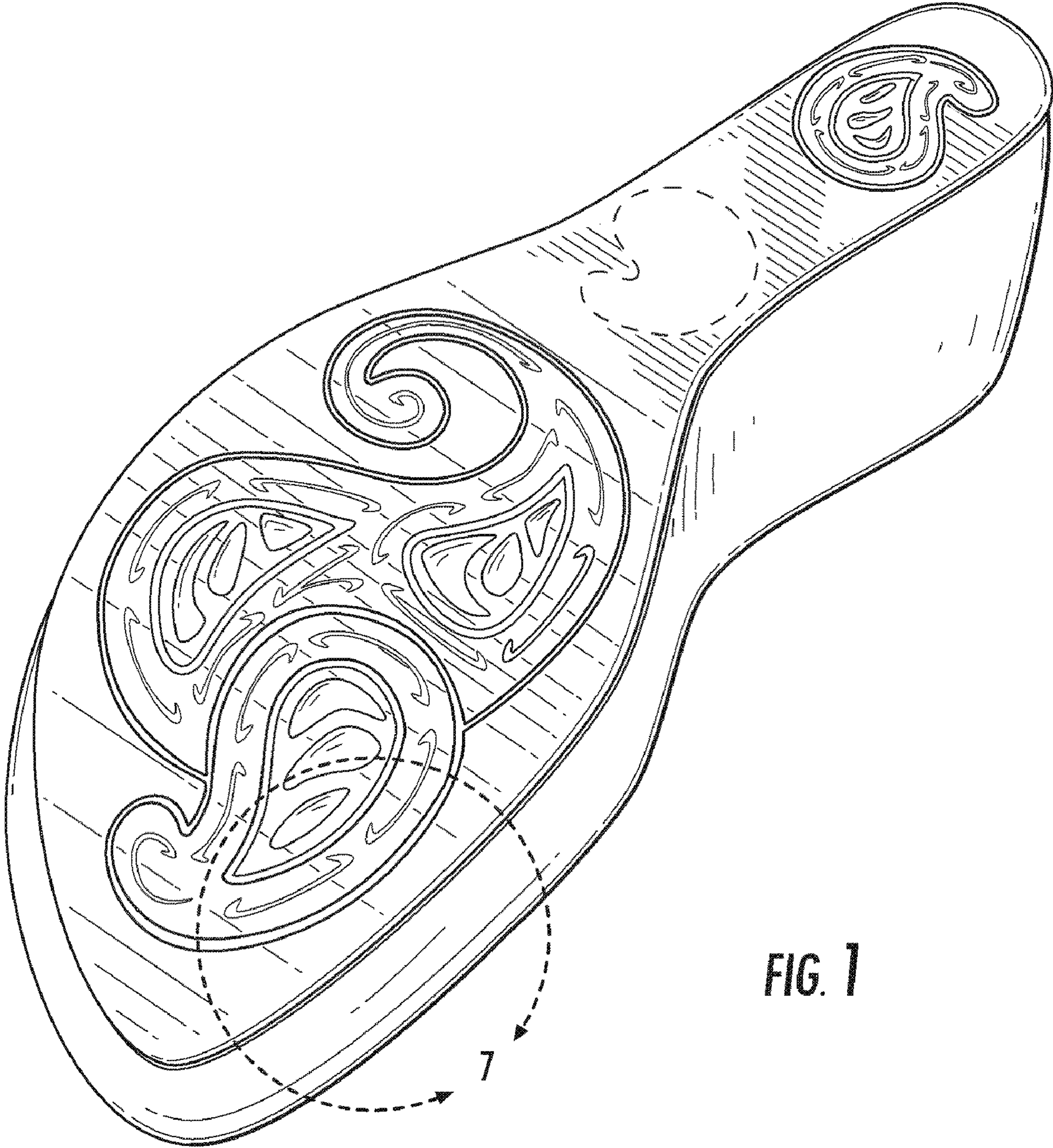


FIG. 1



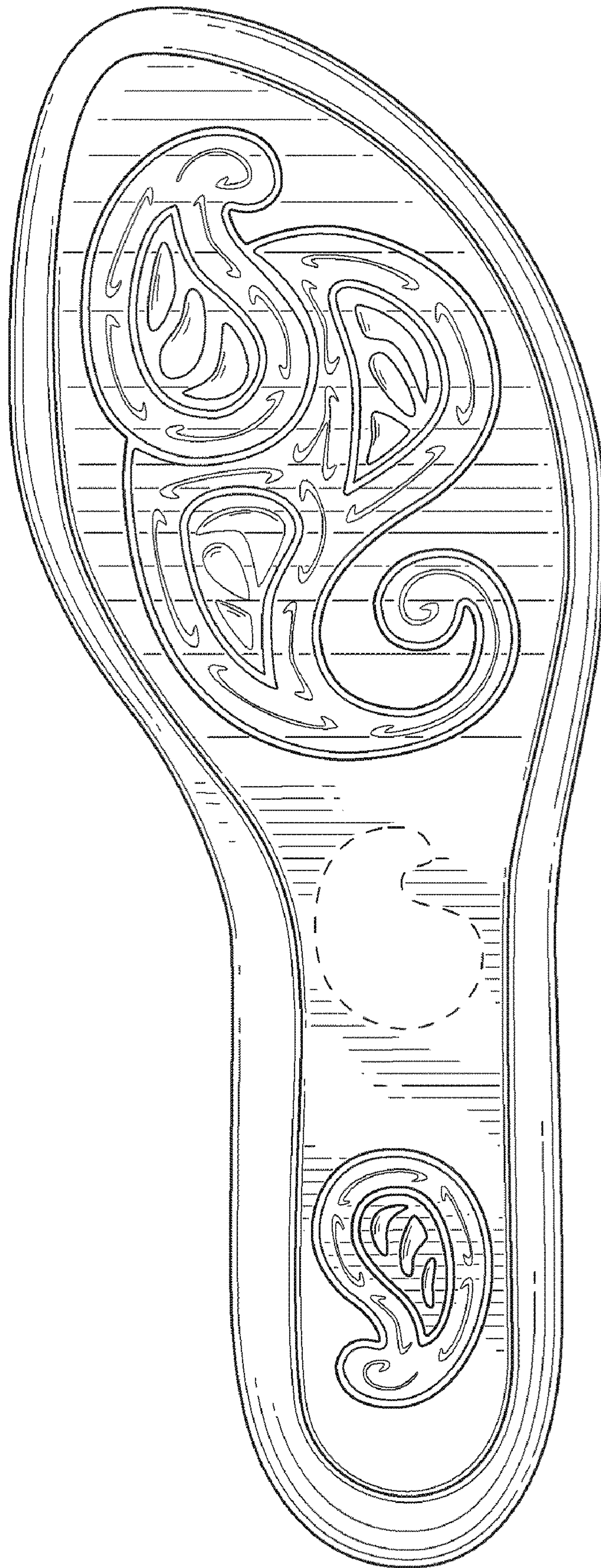


FIG. 2

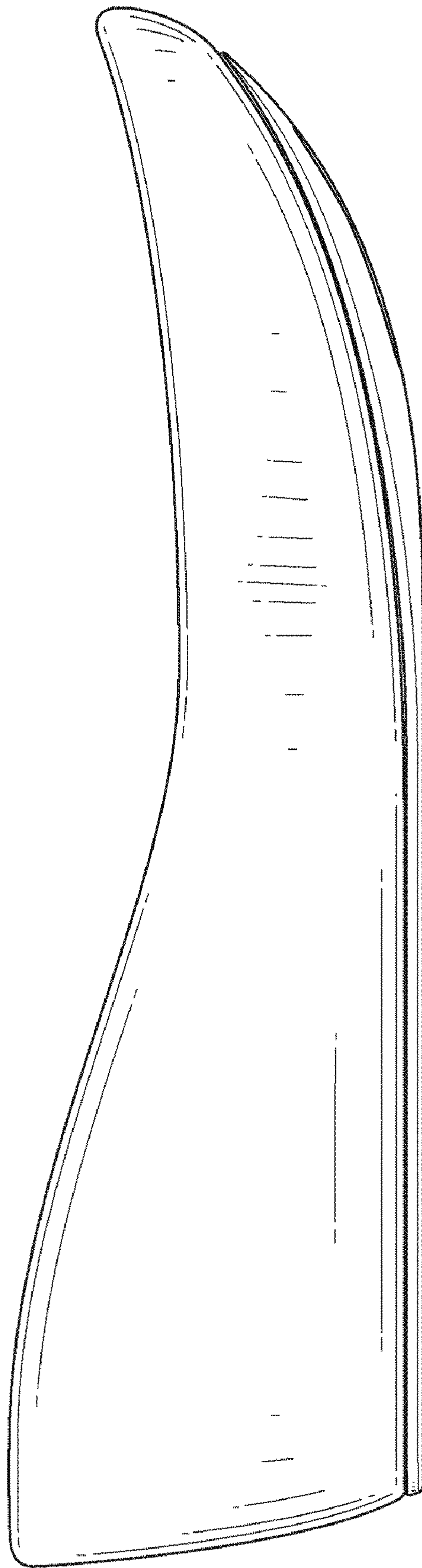


FIG. 3

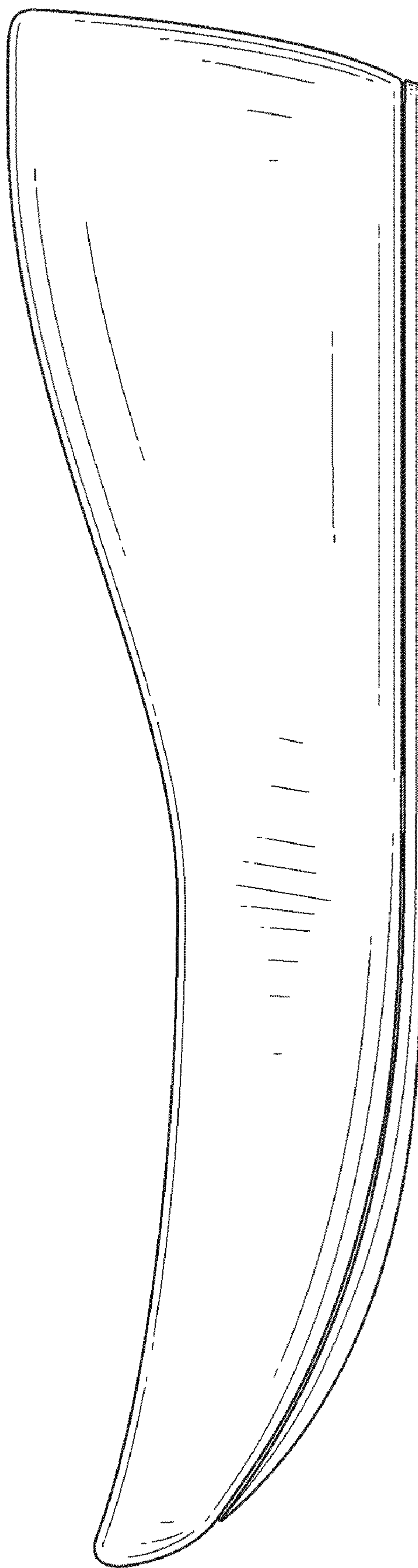
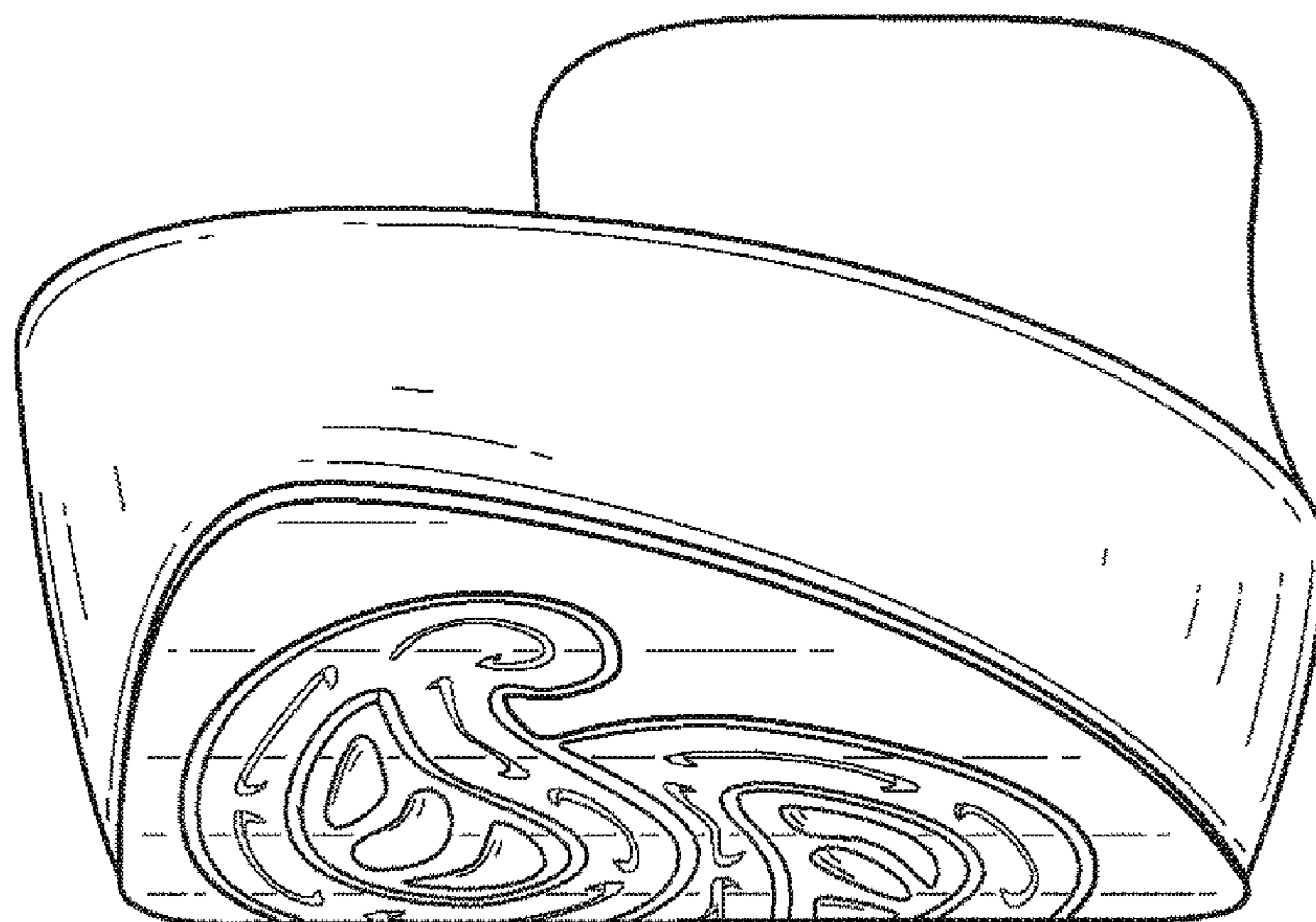
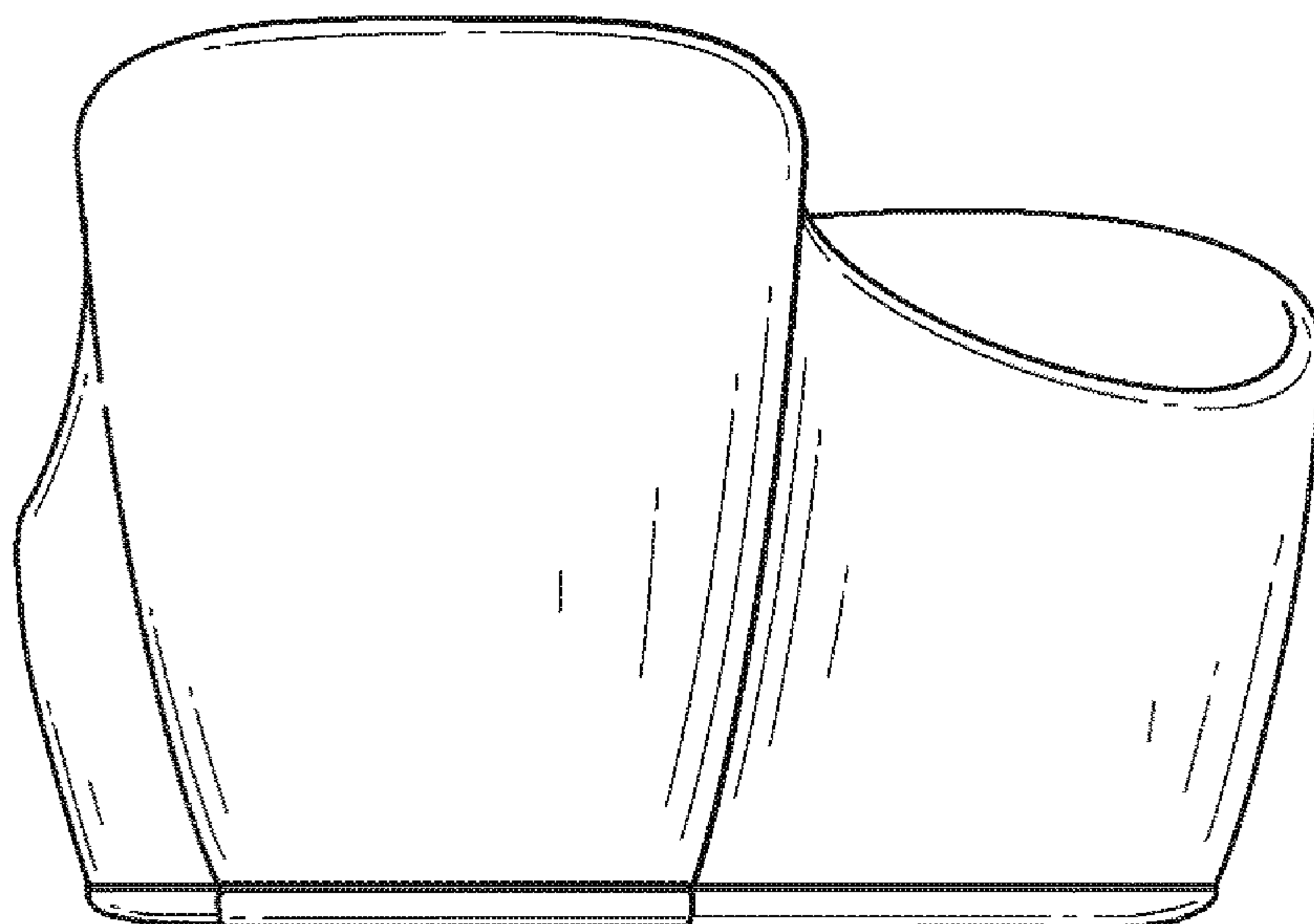


FIG. 4

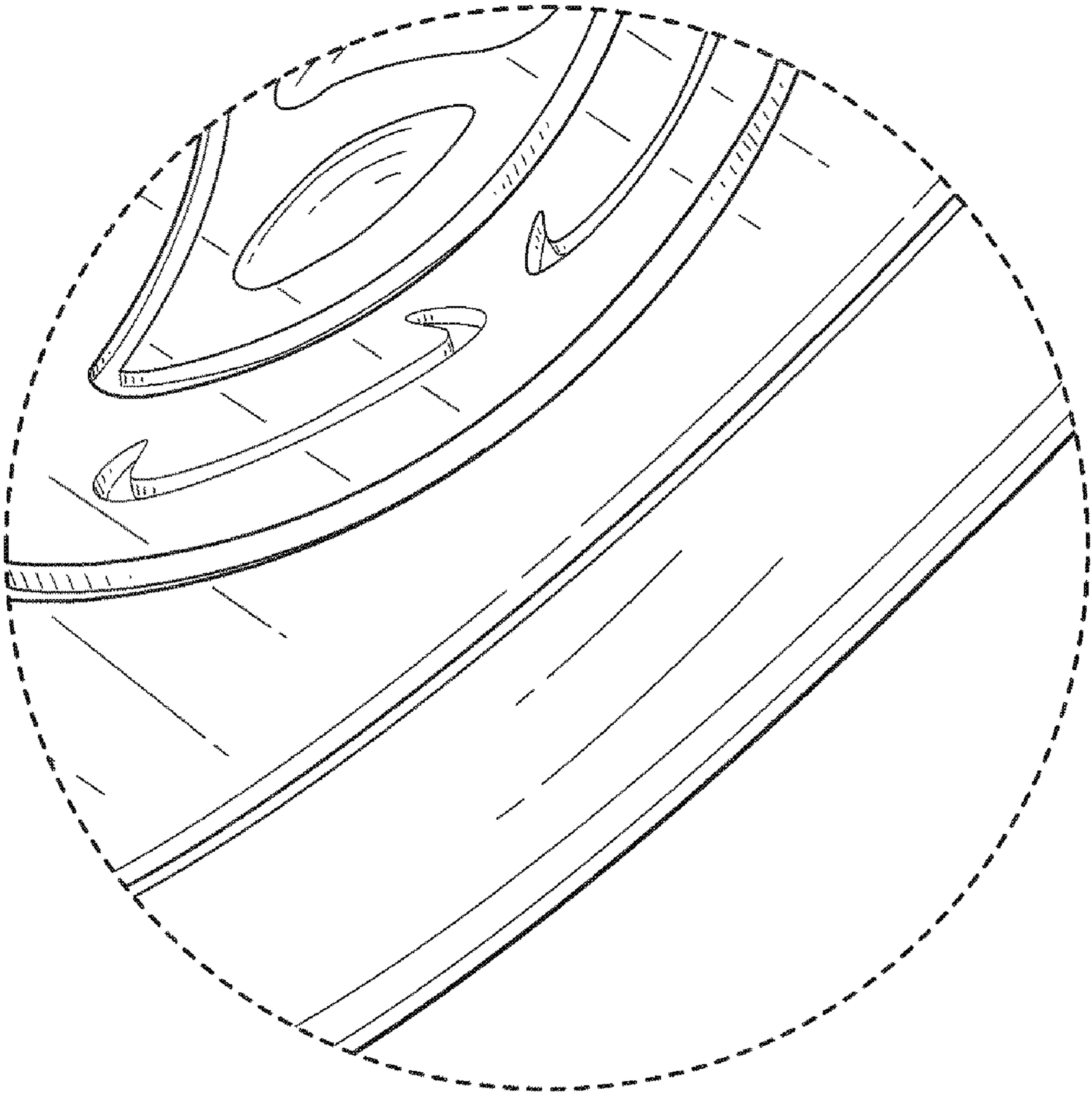




**FIG. 5**



**FIG. 6**



**FIG. 7**