



US00D589237S

(12) **United States Design Patent**
Jaggers et al.

(10) **Patent No.:** **US D589,237 S**
(45) **Date of Patent:** **** Mar. 31, 2009**

(54) **HAT**

(75) Inventors: **Lawrence Jaggers**, Indianapolis, IN (US); **Todd E. Socks**, Indianapolis, IN (US); **Kevin P. Young**, Coatsville, IN (US)

(73) Assignee: **Ancient Athletics, Inc**, Indianapolis, IN (US)

(**) Term: **14 Years**

(21) Appl. No.: **29/308,600**

(22) Filed: **Jun. 25, 2008**

(51) **LOC (9) Cl.** **02-03**

(52) **U.S. Cl.** **D2/880; D2/866**

(58) **Field of Classification Search** D2/865, D2/871, 872, 873, 874, 875, 876, 877, 879, D2/880, 881, 882, 884, 886, 891, 893, 895; D29/102, 103, 104, 410, 425; 2/171, 171.1, 2/172, 195.1–195.2, 195.3, 200.1, 200.2, 2/209.11, 209.12, 209.13, 209.3, 209.7; 24/3.1, 24/3.3; 351/155

See application file for complete search history.

(56) **References Cited**

U.S. PATENT DOCUMENTS

D112,304 S * 11/1938 Jaccard D2/877
D121,457 S * 7/1940 Nu Dell D2/876
D185,852 S * 8/1959 McFadyen D16/339
4,268,918 A * 5/1981 Lee 2/172
4,471,509 A * 9/1984 Marks 24/3.3
D291,894 S * 9/1987 Weisenfeld et al. D16/339
4,783,164 A * 11/1988 Heiberger 351/156
D311,266 S * 10/1990 Parker D2/866
4,965,913 A * 10/1990 Sugarman 24/3.3
D336,357 S * 6/1993 Gravante D2/872
D357,343 S * 4/1995 O'Neal et al. D2/866
5,414,907 A * 5/1995 Kiapos 24/3.3
5,465,466 A * 11/1995 Napier 24/3.3

5,477,629 A * 12/1995 Gleason, Jr. 40/329
D365,917 S * 1/1996 Armstrong D2/881
D393,183 S * 4/1998 Kurtzman D7/633
5,771,493 A * 6/1998 Proctor 2/209.13
D402,791 S * 12/1998 Mishal D2/879
D406,687 S * 3/1999 Thorpe D2/881
5,905,560 A * 5/1999 Daniel 351/157
D416,665 S * 11/1999 Jones D2/874
5,974,632 A * 11/1999 Chang 24/3.3
D437,609 S * 2/2001 Riley D16/339
D485,680 S * 1/2004 Hasenfrantz D3/265
7,013,491 B2 * 3/2006 Ferrara 2/209.13
D550,931 S * 9/2007 Valcourt D2/866
2003/0131396 A1 * 7/2003 Park 2/183
2006/0268221 A1 * 11/2006 Tracy 351/155

OTHER PUBLICATIONS

Ancient Athletics Rope Hats, as shown on <http://ropehats.com/Portfolio.php>, viewed Nov. 21, 2008 (5 pages).*

* cited by examiner

Primary Examiner—Elizabeth A Albert

Assistant Examiner—Karen E Eldridge Powers

(74) *Attorney, Agent, or Firm*—E. Victor Indiano; Indiano Vaughan LLP

(57) **CLAIM**

The ornamental design for a hat, as shown and described.

DESCRIPTION

FIG. 1 is a perspective view of a hat showing our new design;

FIG. 2 is a front view thereof;

FIG. 3 is a rear side view thereof;

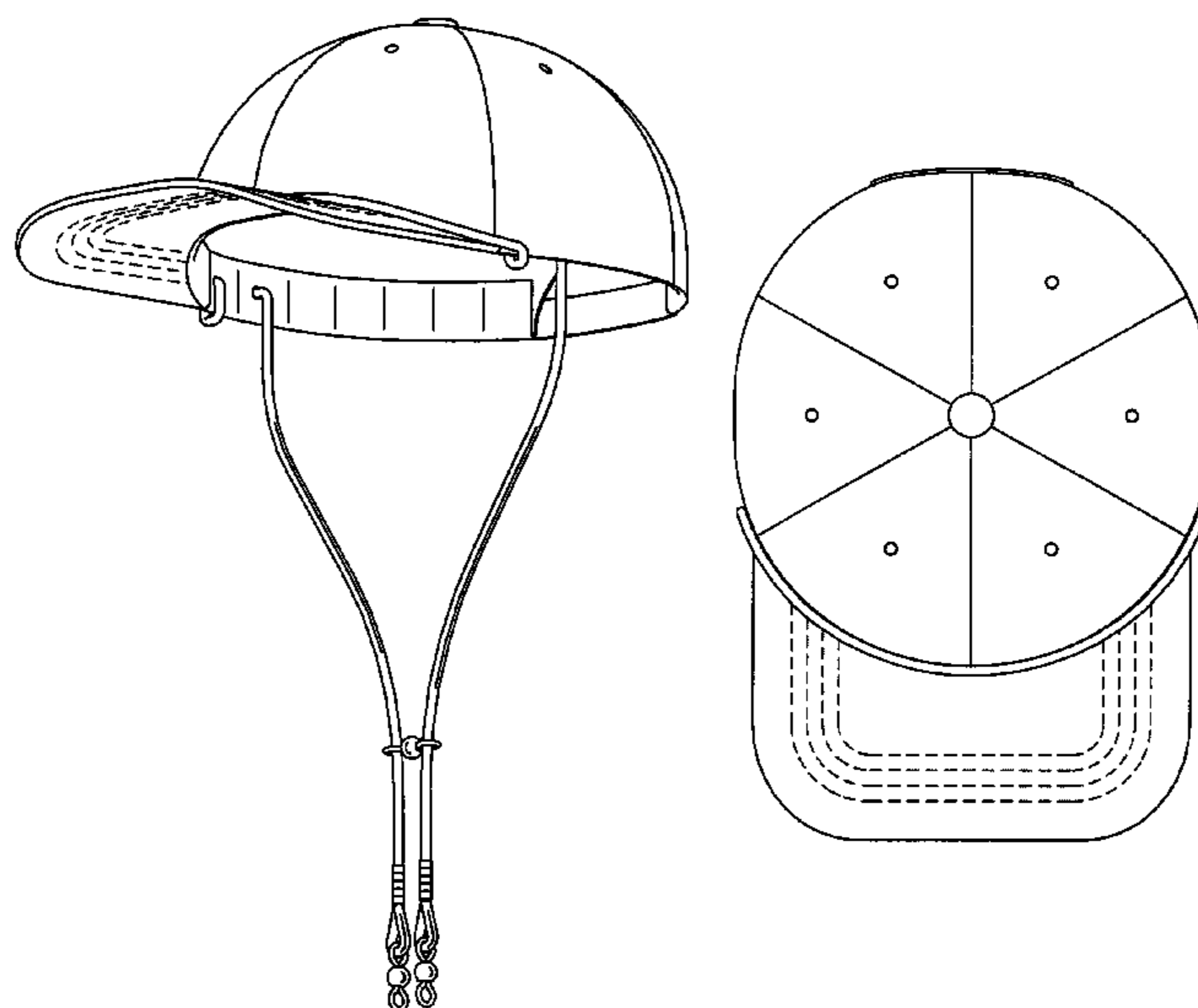
FIG. 4 is a left side view thereof;

FIG. 5 is a right side view thereof;

FIG. 6 is a top view thereof; and,

FIG. 7 is a bottom view thereof.

1 Claim, 6 Drawing Sheets



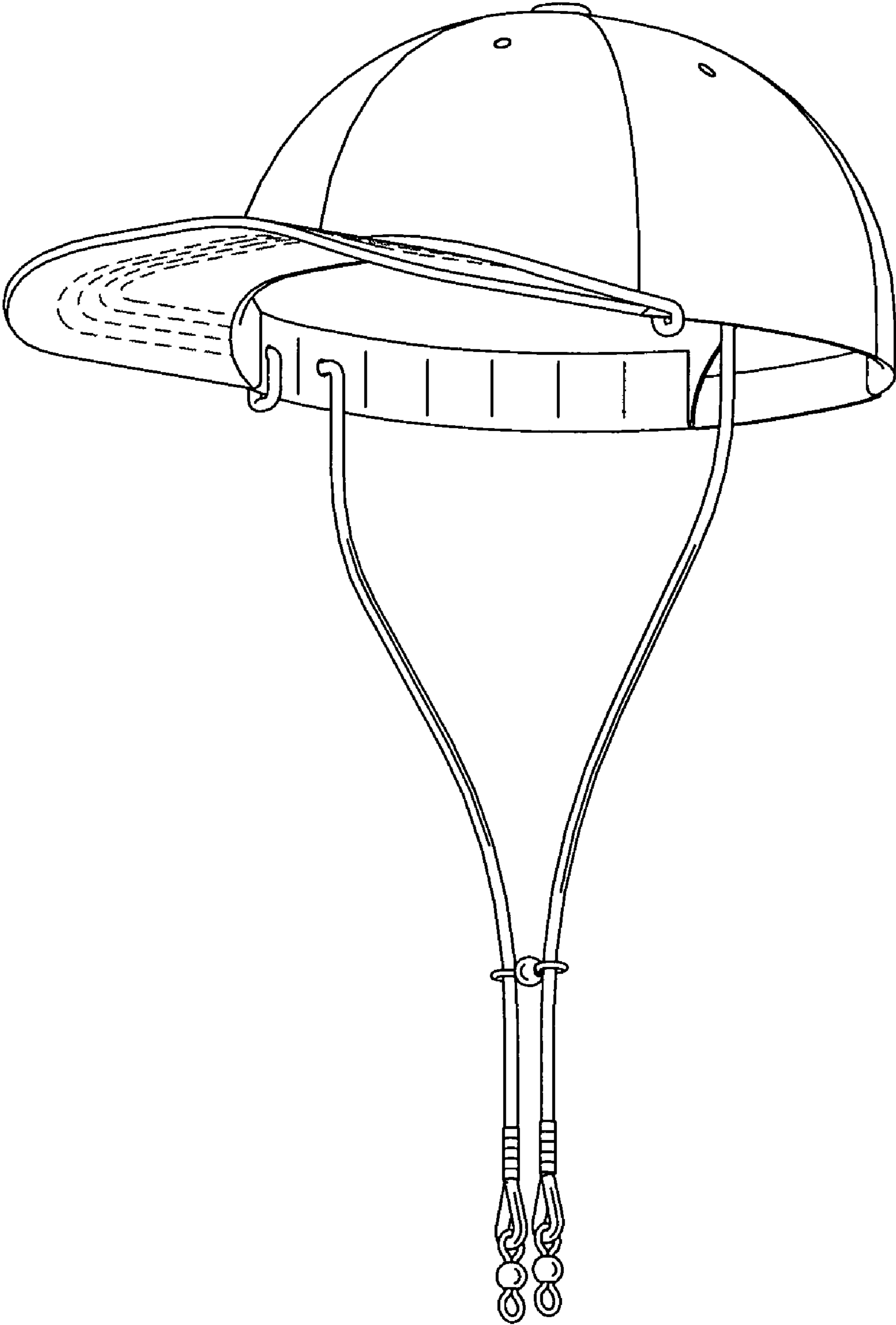


FIG. 1

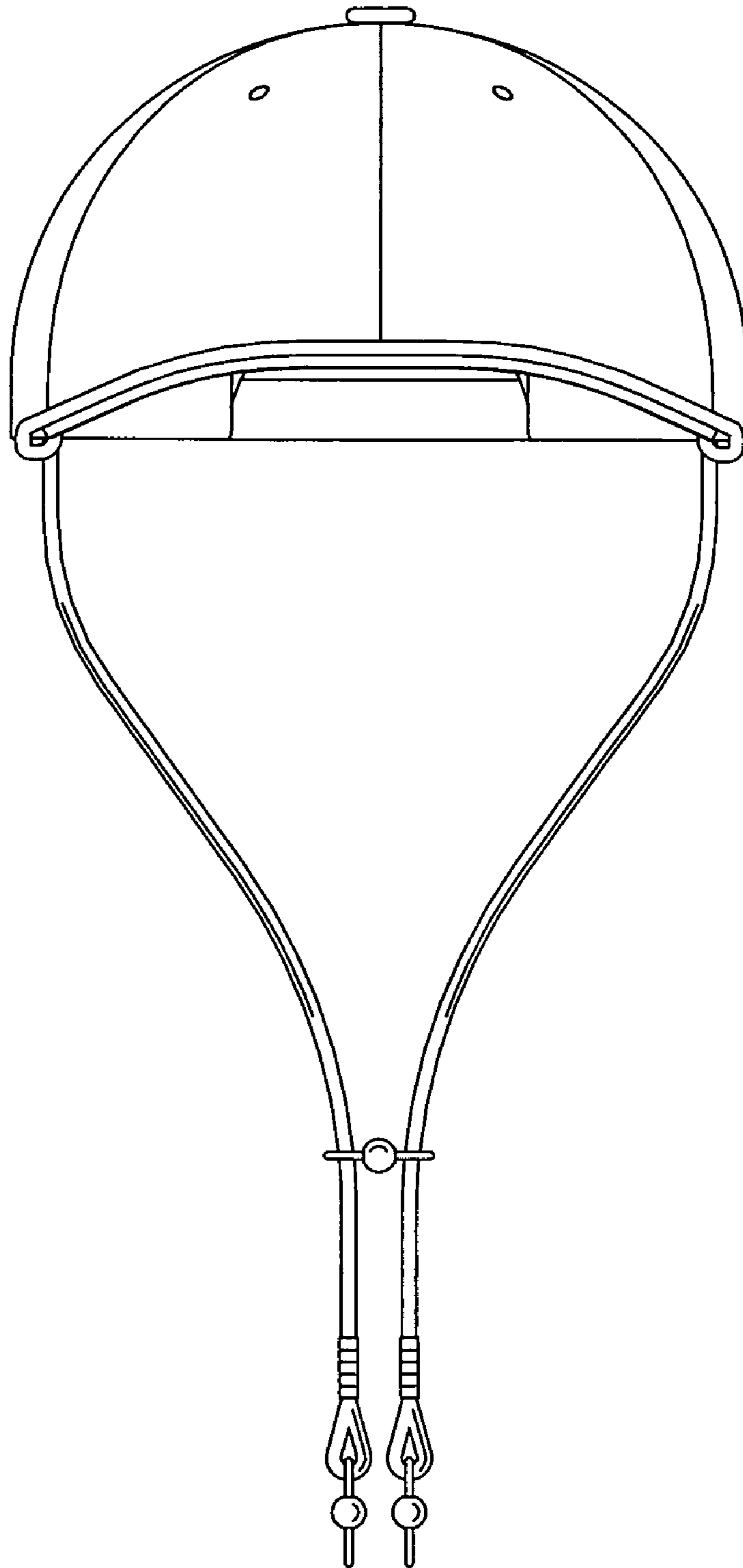


FIG. 2

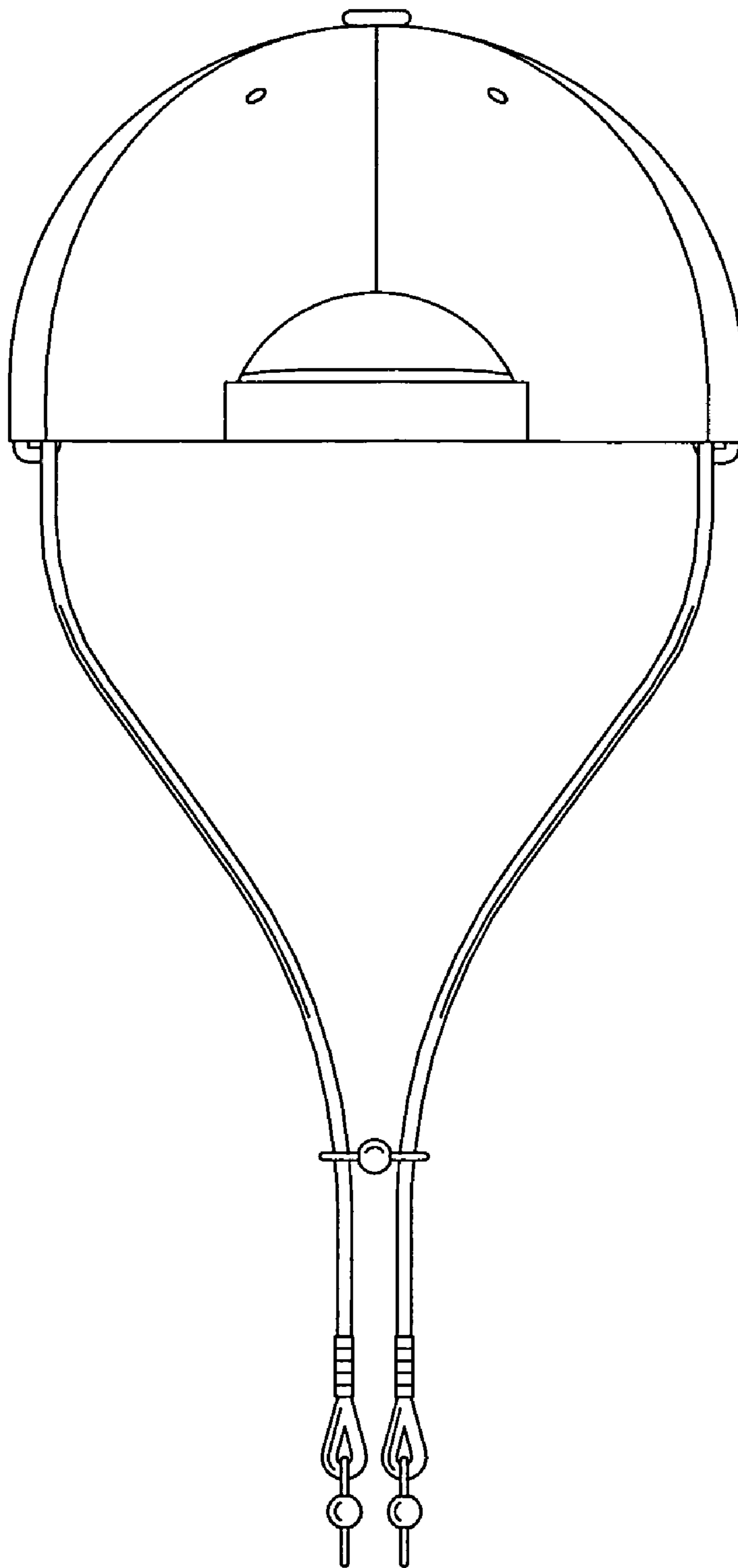


FIG. 3

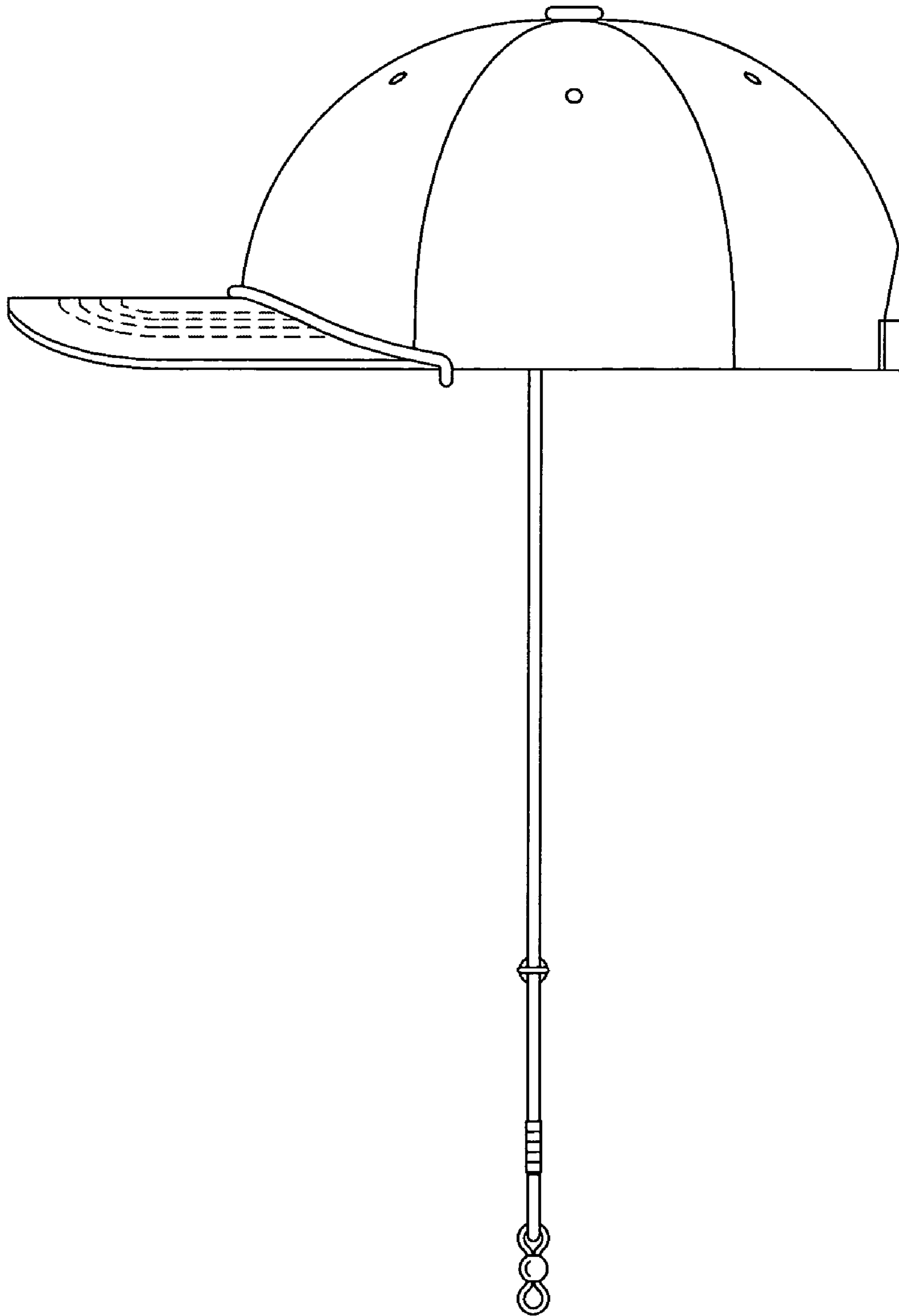


FIG. 4

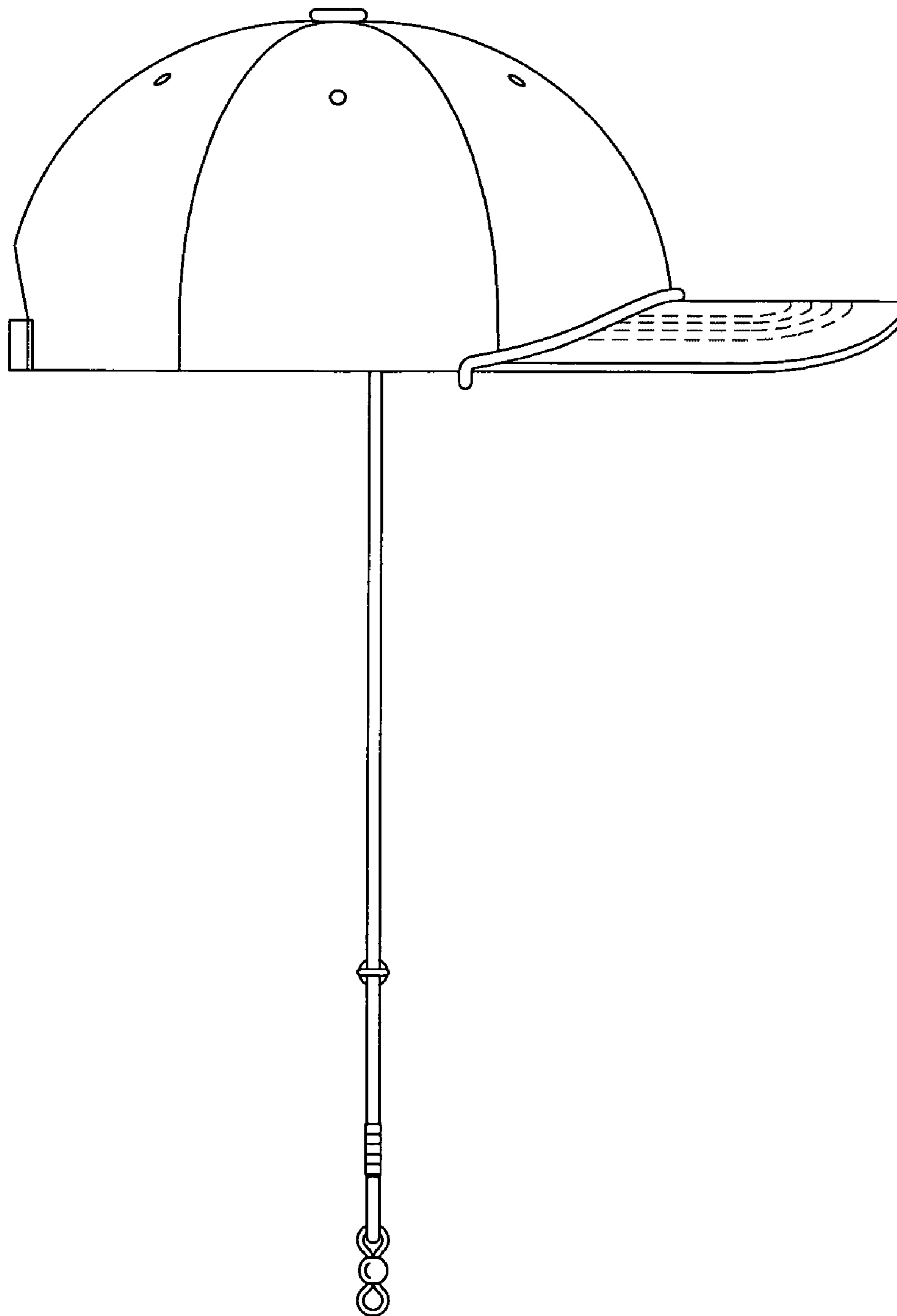


FIG. 5

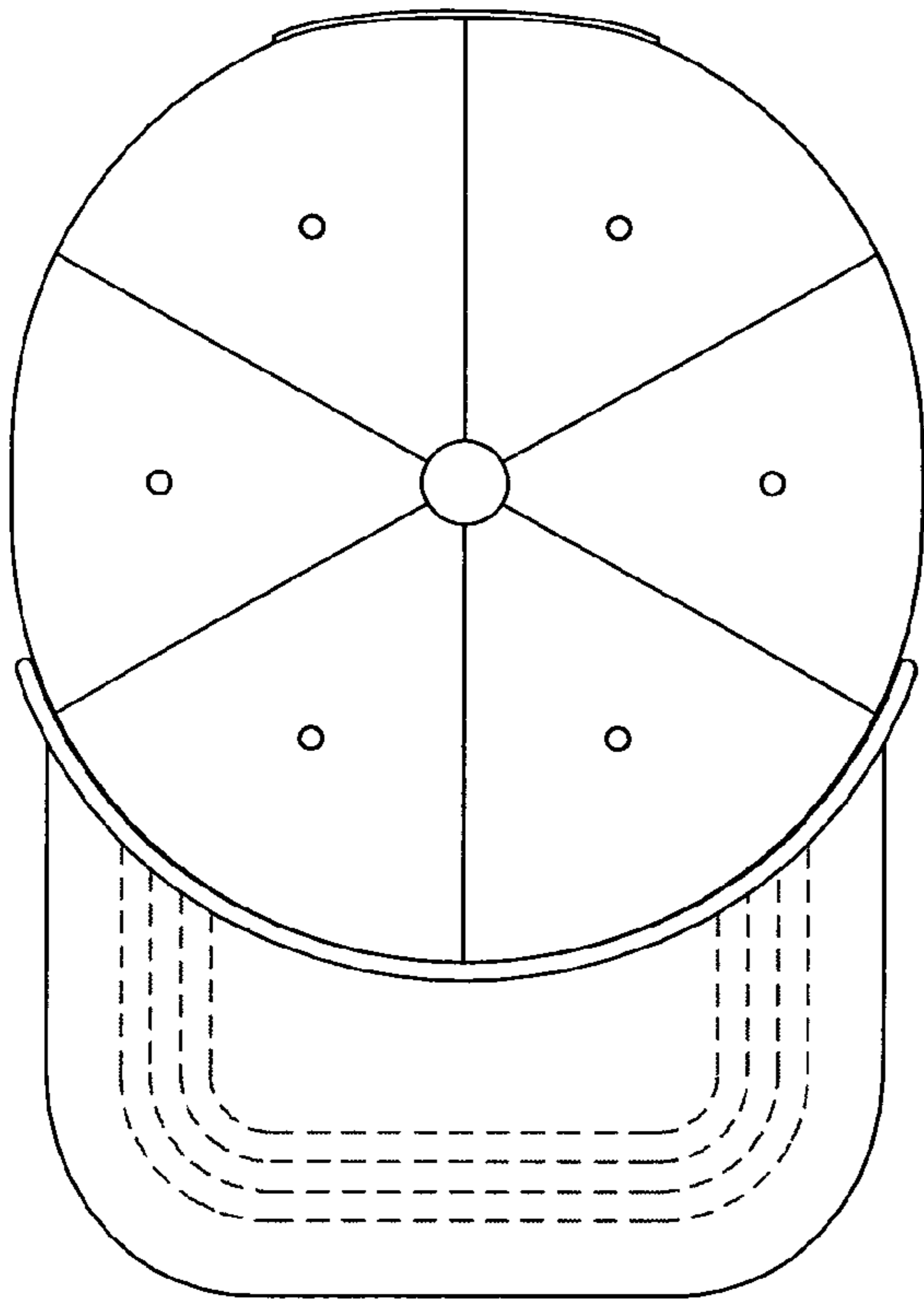


FIG. 6

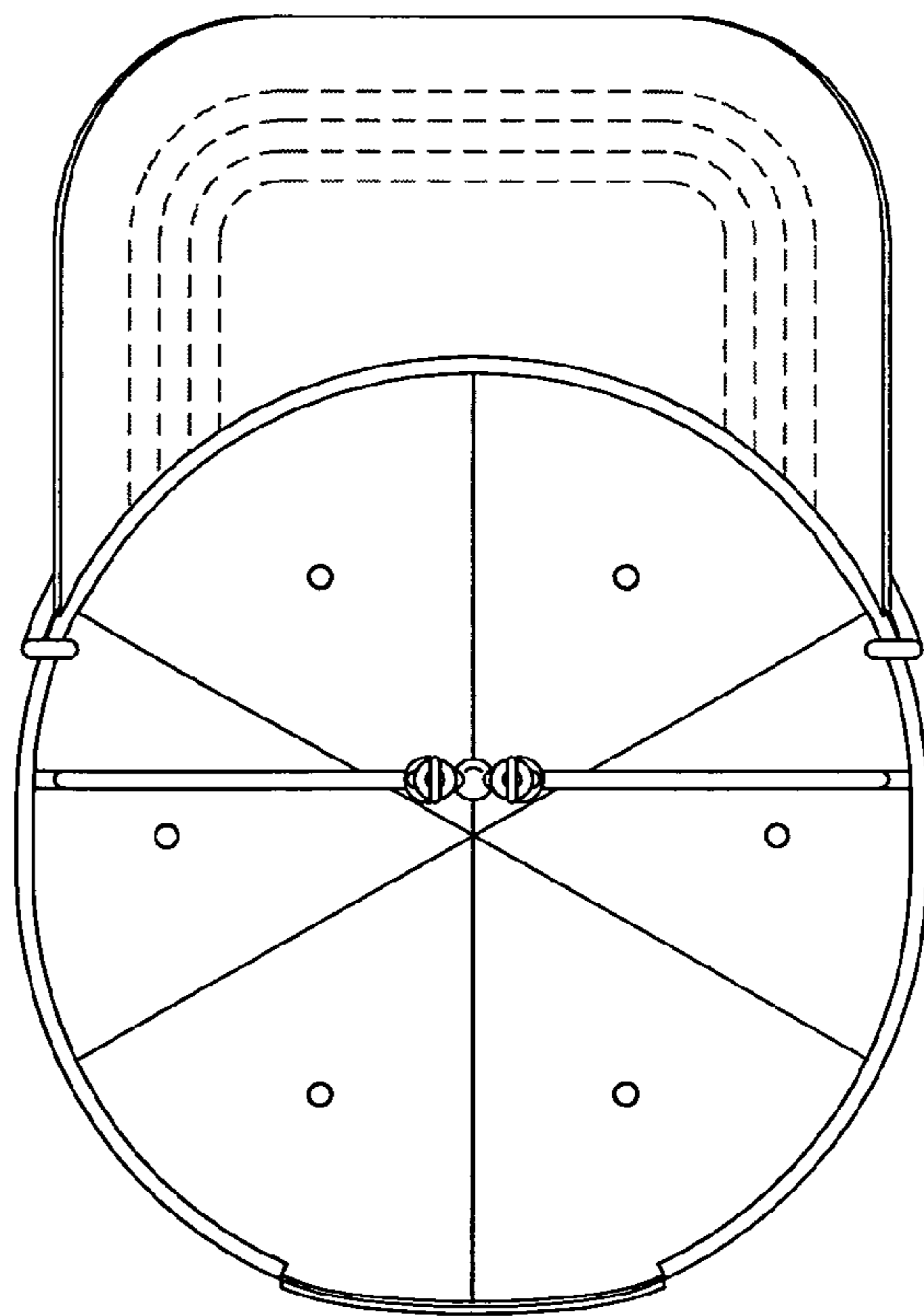


FIG. 7