



US00D589235S

(12) **United States Design Patent**
Kelleghan

(10) **Patent No.:** **US D589,235 S**
(45) **Date of Patent:** **** Mar. 31, 2009**

- (54) **VISOR**
- (75) Inventor: **Brian James Kelleghan**, Longmont, CO (US)
- (73) Assignee: **Bison Designs, LLC**, Longmont, CO (US)
- (**) Term: **14 Years**
- (21) Appl. No.: **29/319,558**
- (22) Filed: **Jun. 11, 2008**

- D482,185 S 11/2003 Park
- 6,810,533 B1 11/2004 Nahabedian et al.
- D501,705 S 2/2005 Hathaway
- D527,870 S 9/2006 Kim
- D535,460 S 1/2007 Ortley et al.
- 7,165,273 B1 1/2007 Redmond
- 7,182,478 B2 2/2007 Marston
- D545,030 S 6/2007 Fukunaga
- D559,503 S 1/2008 Melton
- D565,282 S * 4/2008 Melton D2/876
- 2002/0118533 A1 8/2002 Marston
- 2003/0221234 A1 12/2003 Wang
- 2007/0044203 A1 3/2007 Hall

* cited by examiner

Related U.S. Application Data

- (62) Division of application No. 29/296,524, filed on Oct. 23, 2007, now Pat. No. Des. 571,082.

- (51) **LOC (9) Cl.** **02-03**
- (52) **U.S. Cl.** **D2/876**
- (58) **Field of Classification Search** D2/865, D2/866, 871, 872, 873, 875, 876, 879, 882, D2/884, 887, 888, 890, 891, 892, 893, 895; 2/10, 171, 171.1, 171.4, 171.5, 195.1, 195.3, 2/195.6, 200.1, 209.11, 209.12, 209.5, 209.7, 2/909, 246, 247, 249-253; 362/106
See application file for complete search history.

Primary Examiner—Elizabeth A Albert
Assistant Examiner—Karen E Eldridge Powers
 (74) *Attorney, Agent, or Firm*—Margaret Polson; Polson & Associates, PC

(57) **CLAIM**

The ornamental design for visor, as shown and described.

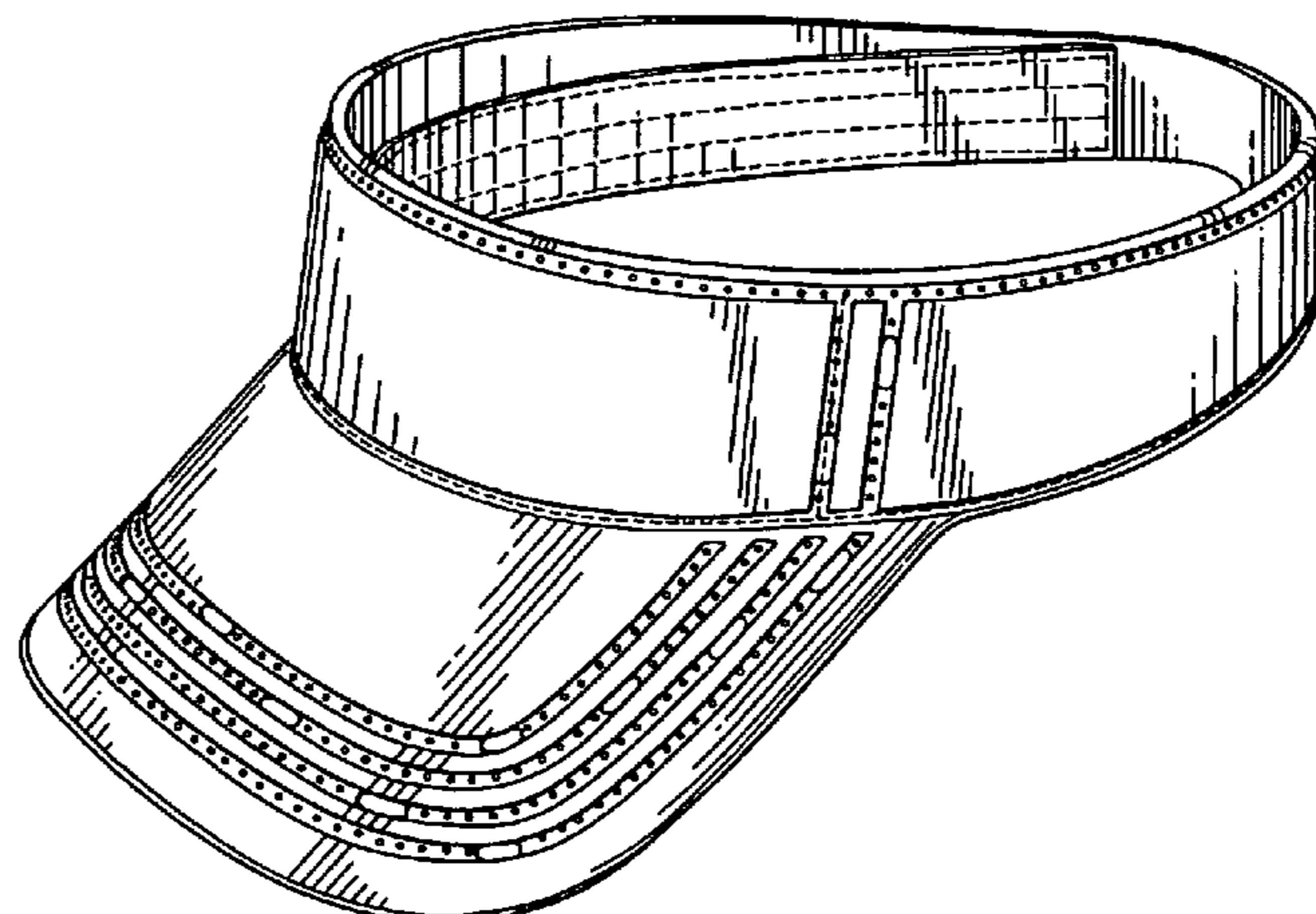
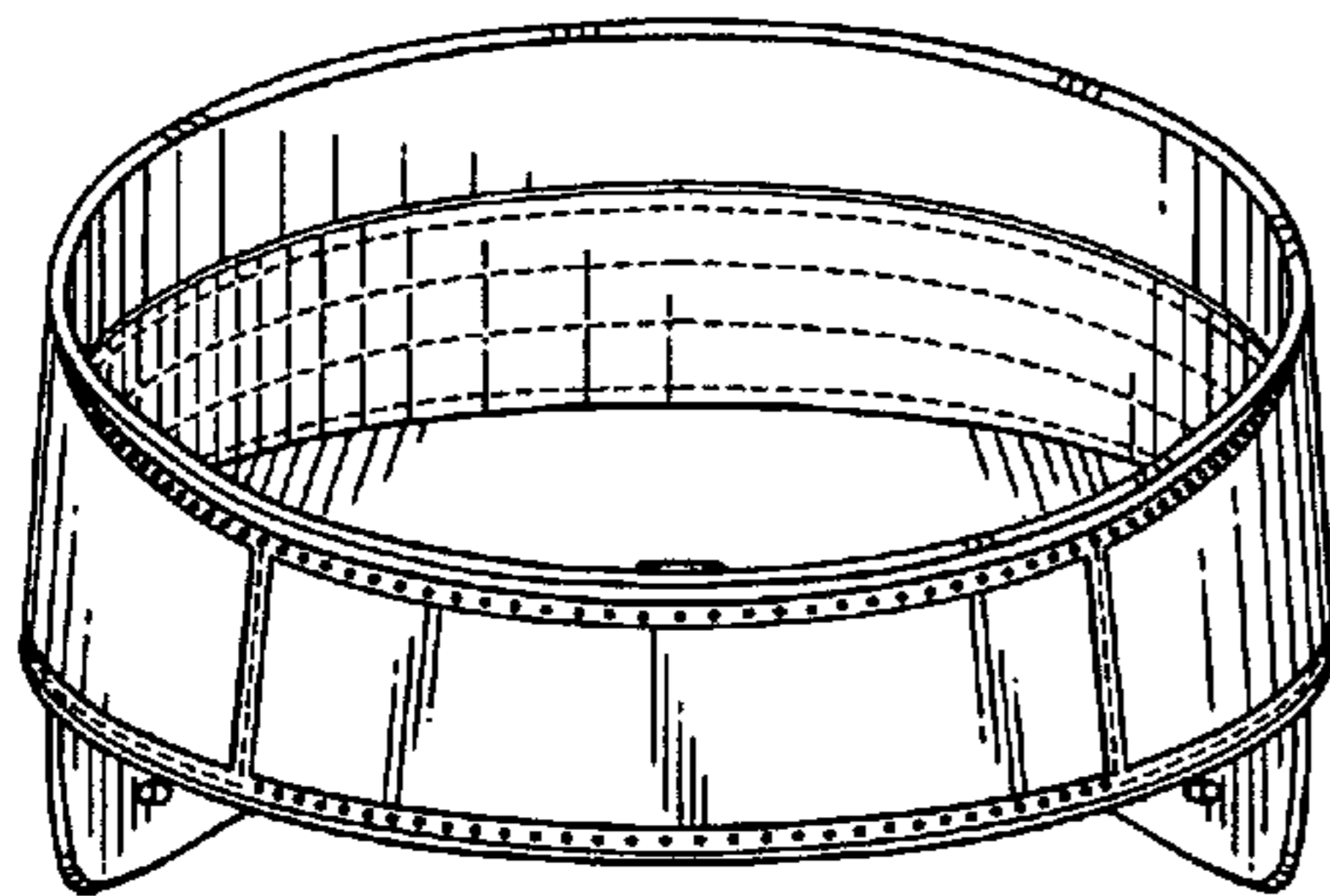
DESCRIPTION

FIG. 1 is a top plan view of my new design for a visor.
 FIG. 2 is a bottom plan view of FIG. 1.
 FIG. 3 is a right side elevation view of FIG. 1.
 FIG. 4 is a left side elevation view of FIG. 1.
 FIG. 5 is a front side elevation view of FIG. 1.
 FIG. 6 is a back side elevation view of FIG. 1.
 FIG. 7 is a top perspective view of FIG. 1.
 FIG. 8 is a top plan view of an alternate embodiment of the visor that differs from the first embodiment only in that it has ventilation channels in the band, with the dotted lines showing stitching, which is part of the claimed design.
 FIG. 9 is a bottom plan view of FIG. 8.
 FIG. 10 is a front side elevation view of FIG. 8; and,
 FIG. 11 is a top perspective view of FIG. 8.
 The broken lines showing four rows of stitching on the interior headband and a single line of stitching at the base of the crown are part of the claimed design.

(56) **References Cited**

U.S. PATENT DOCUMENTS

- D48,505 S 2/1916 Schoble
- 1,390,818 A 9/1921 Sakagami
- D69,439 S 2/1926 Caradine
- 1,629,062 A 5/1927 Artau
- D135,996 S 7/1943 Gross
- D315,243 S 3/1991 Ciabattara
- D347,104 S * 5/1994 Vossler D2/887
- D366,558 S 1/1996 Galper et al.
- 5,510,961 A 4/1996 Peng
- 6,149,268 A * 11/2000 Hall et al. 351/62
- 6,276,795 B1 * 8/2001 Hall et al. 351/62
- D459,059 S 6/2002 Park
- D459,861 S 7/2002 Park
- 6,450,639 B1 * 9/2002 Abraham 351/62



1 Claim, 5 Drawing Sheets

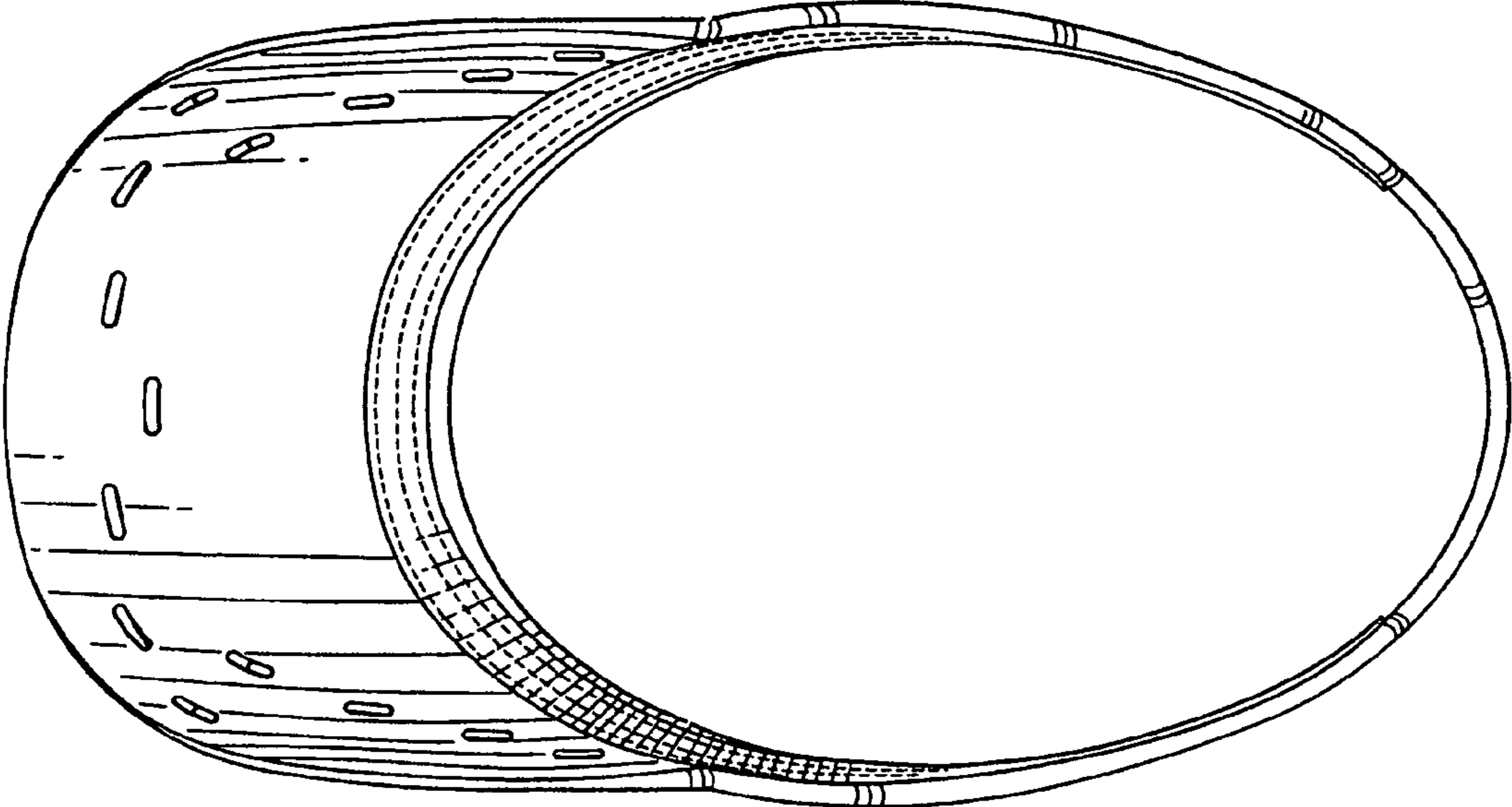


FIG. 2

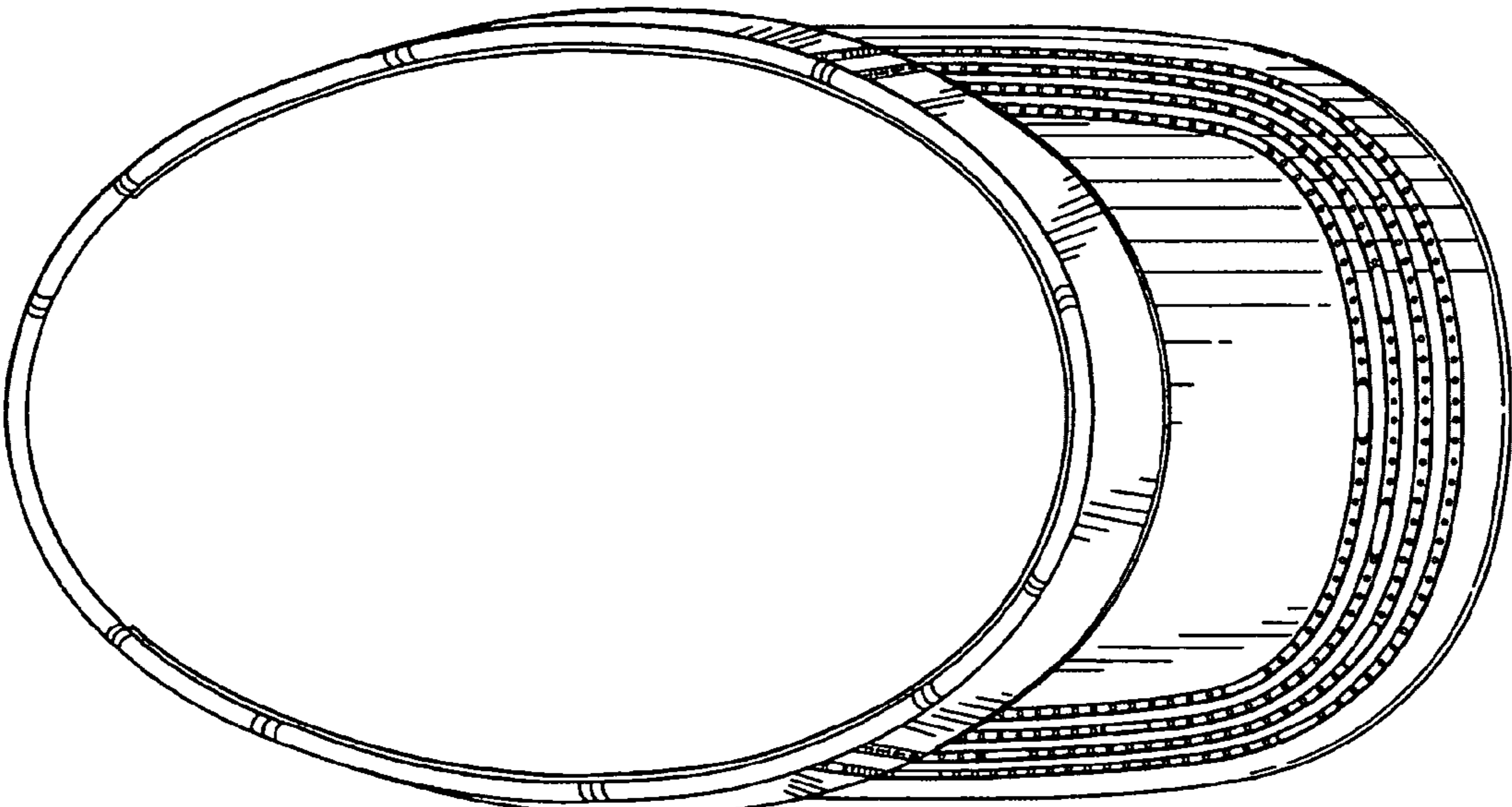


FIG. 1

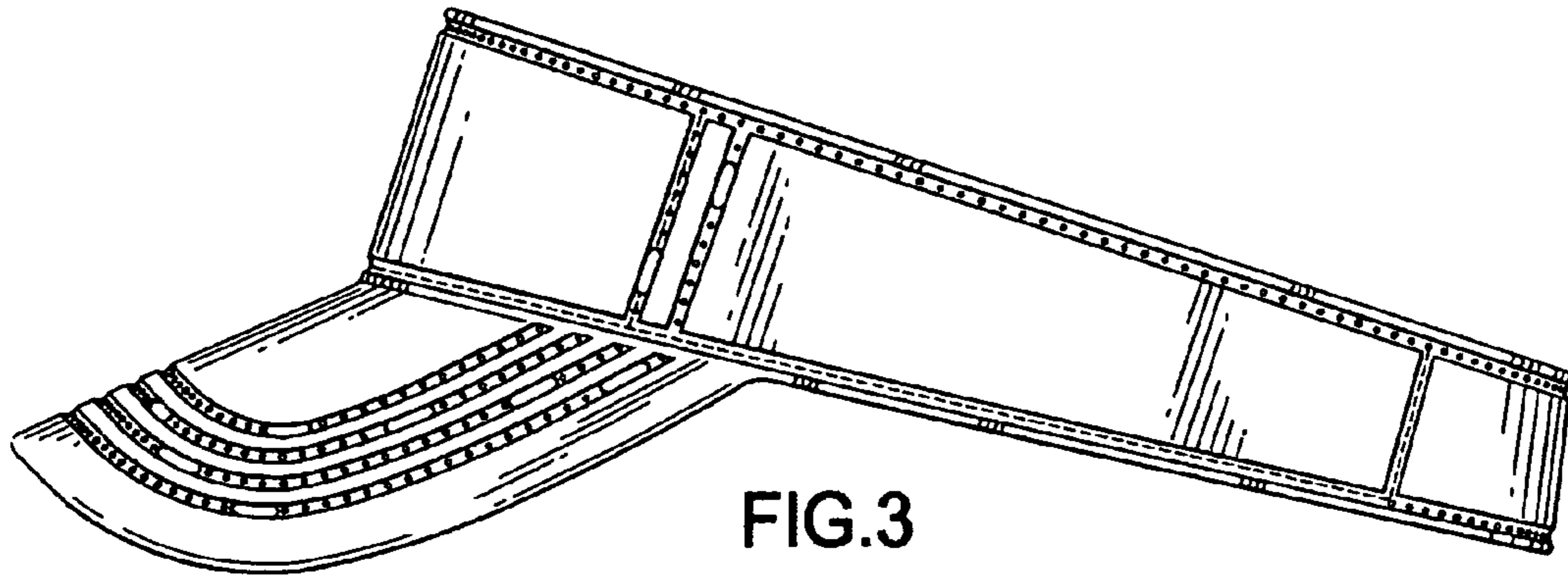


FIG. 3

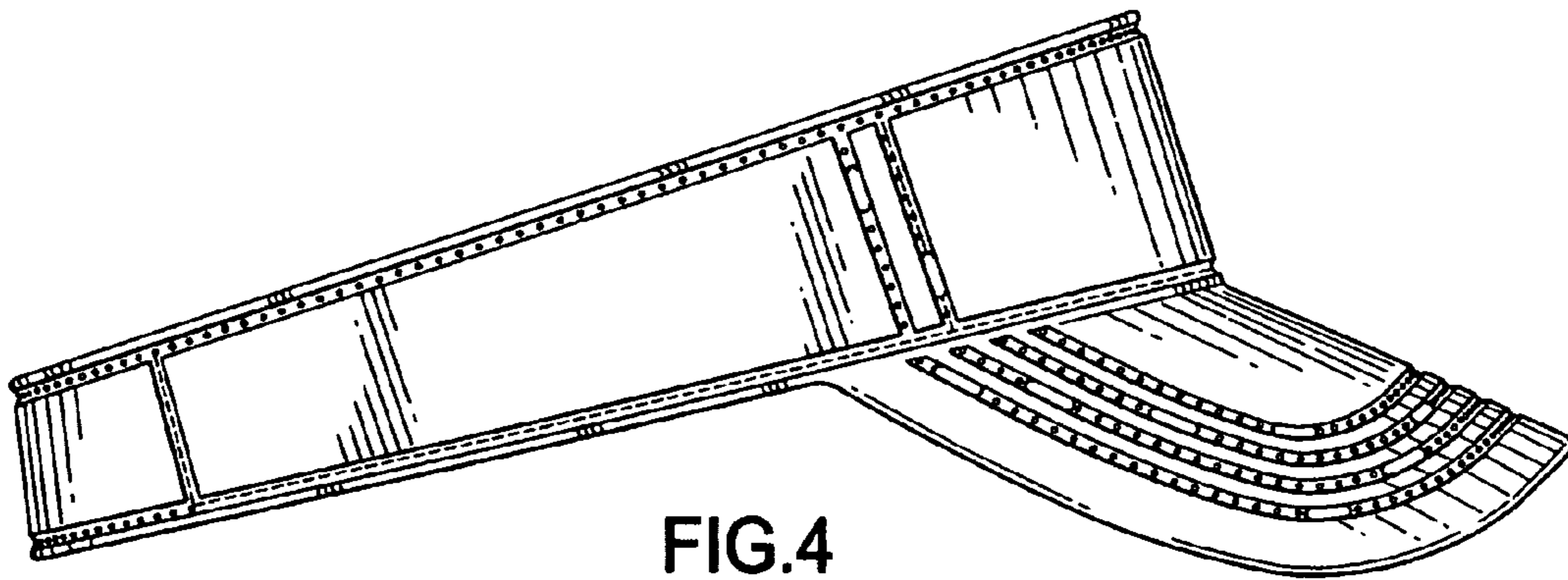
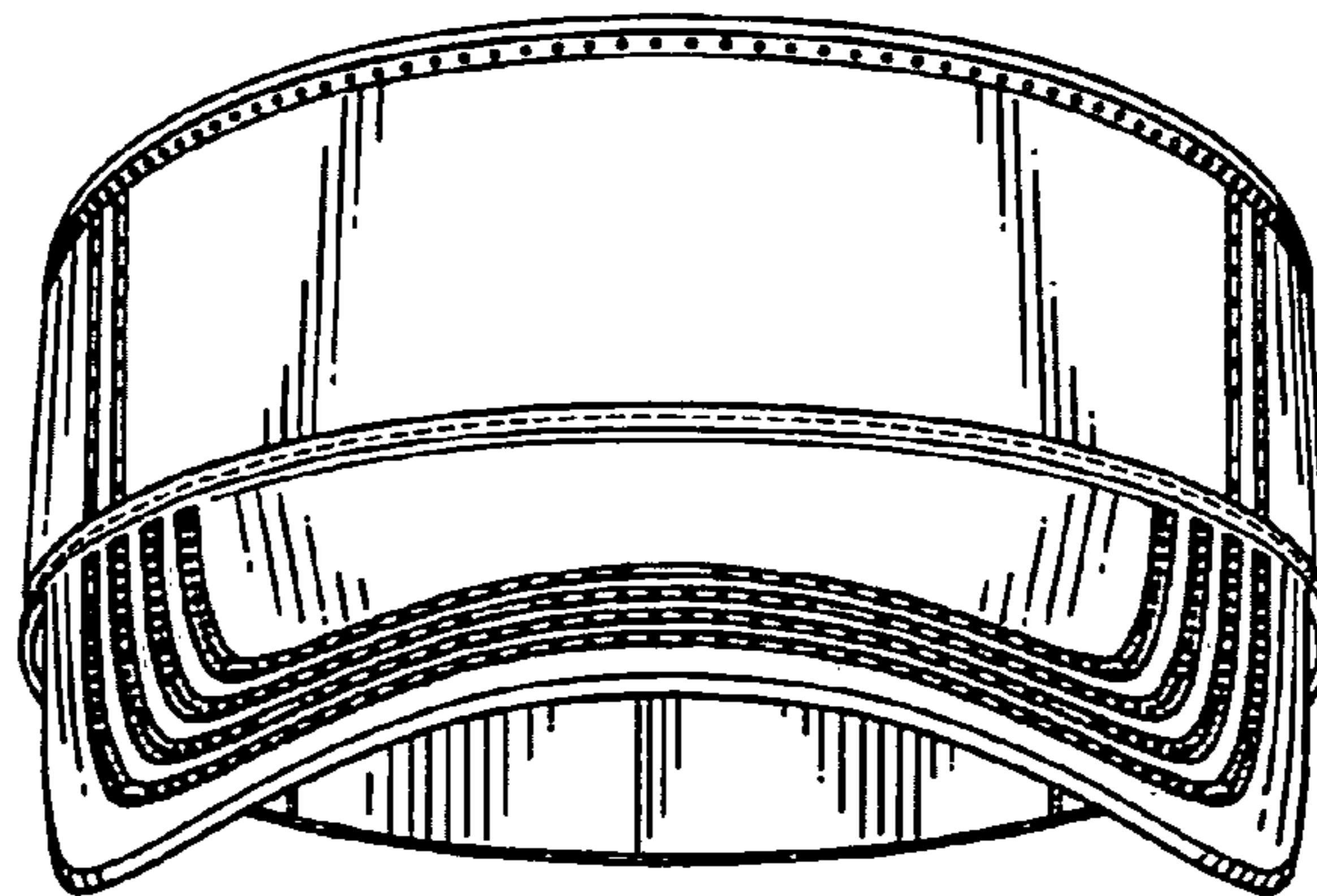


FIG. 4

FIG. 5



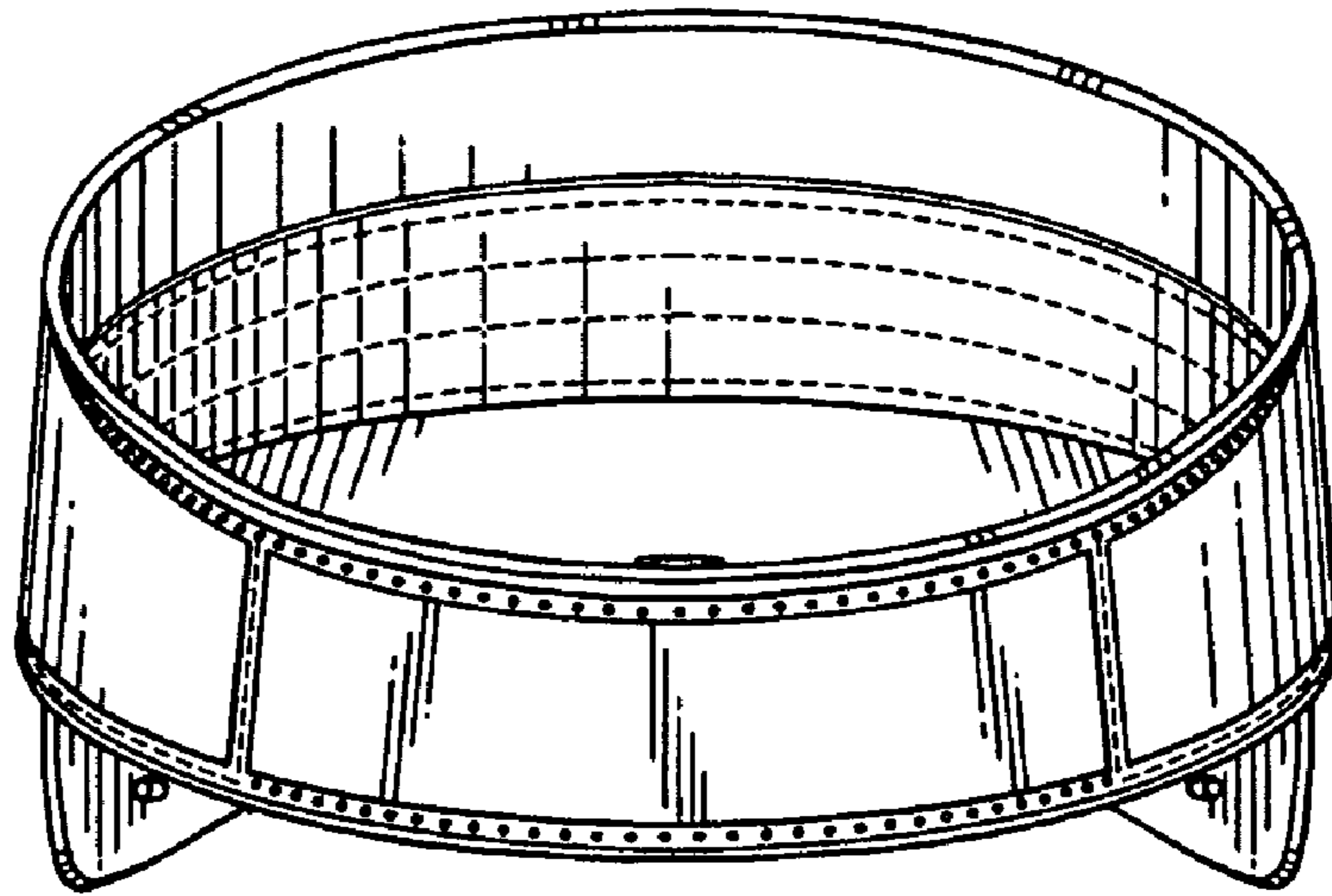


FIG. 6

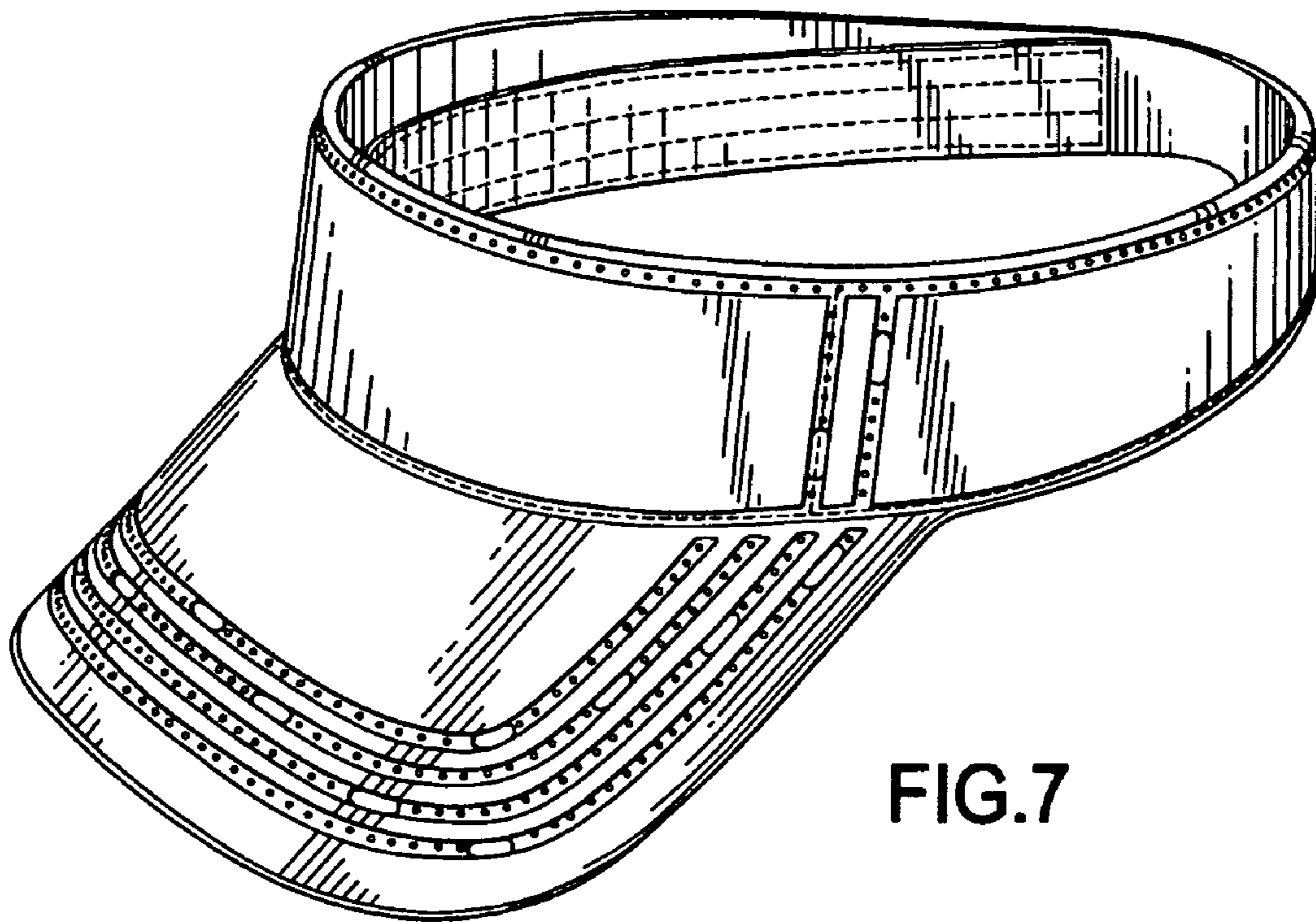


FIG. 7

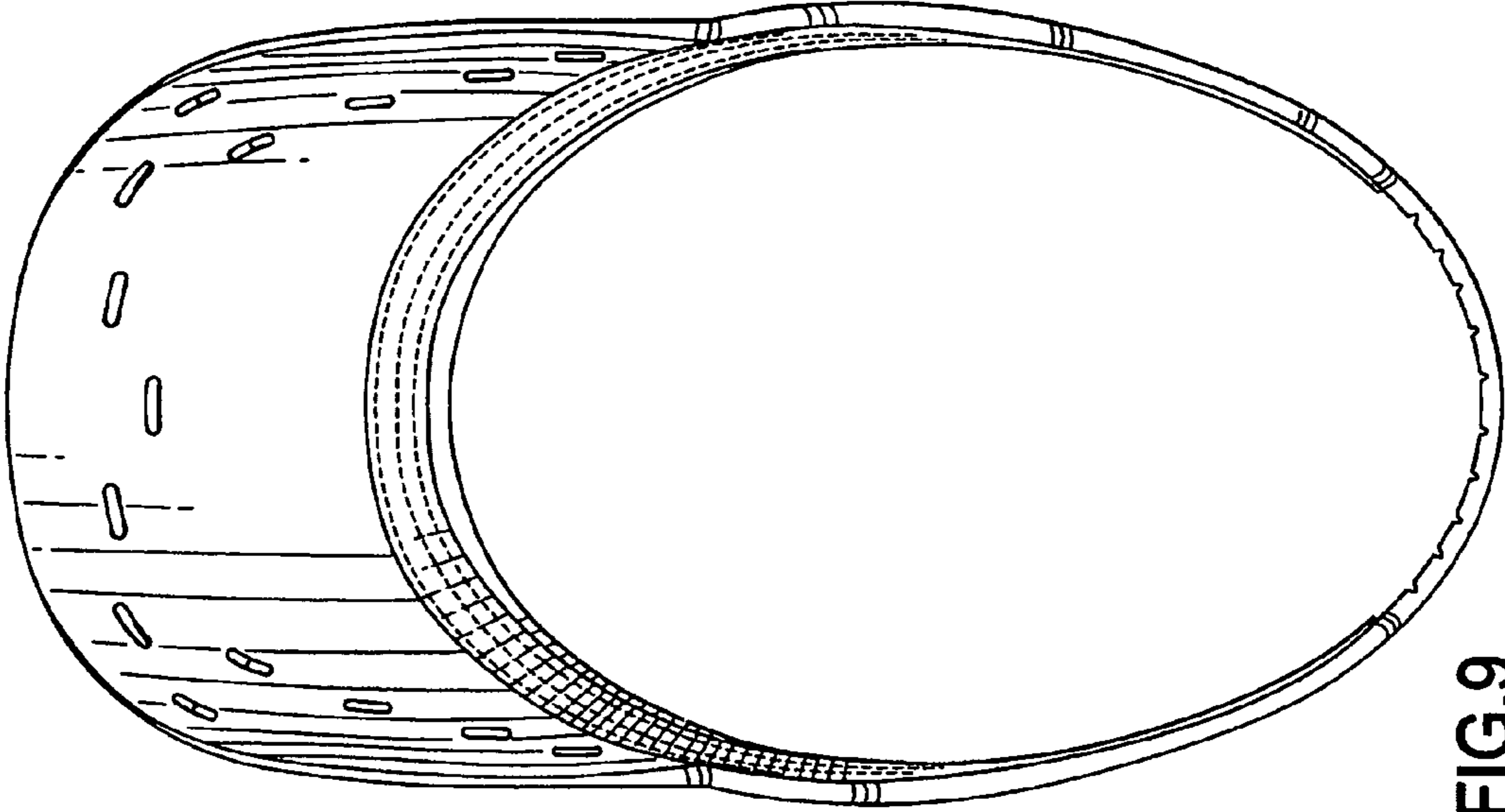


FIG. 9

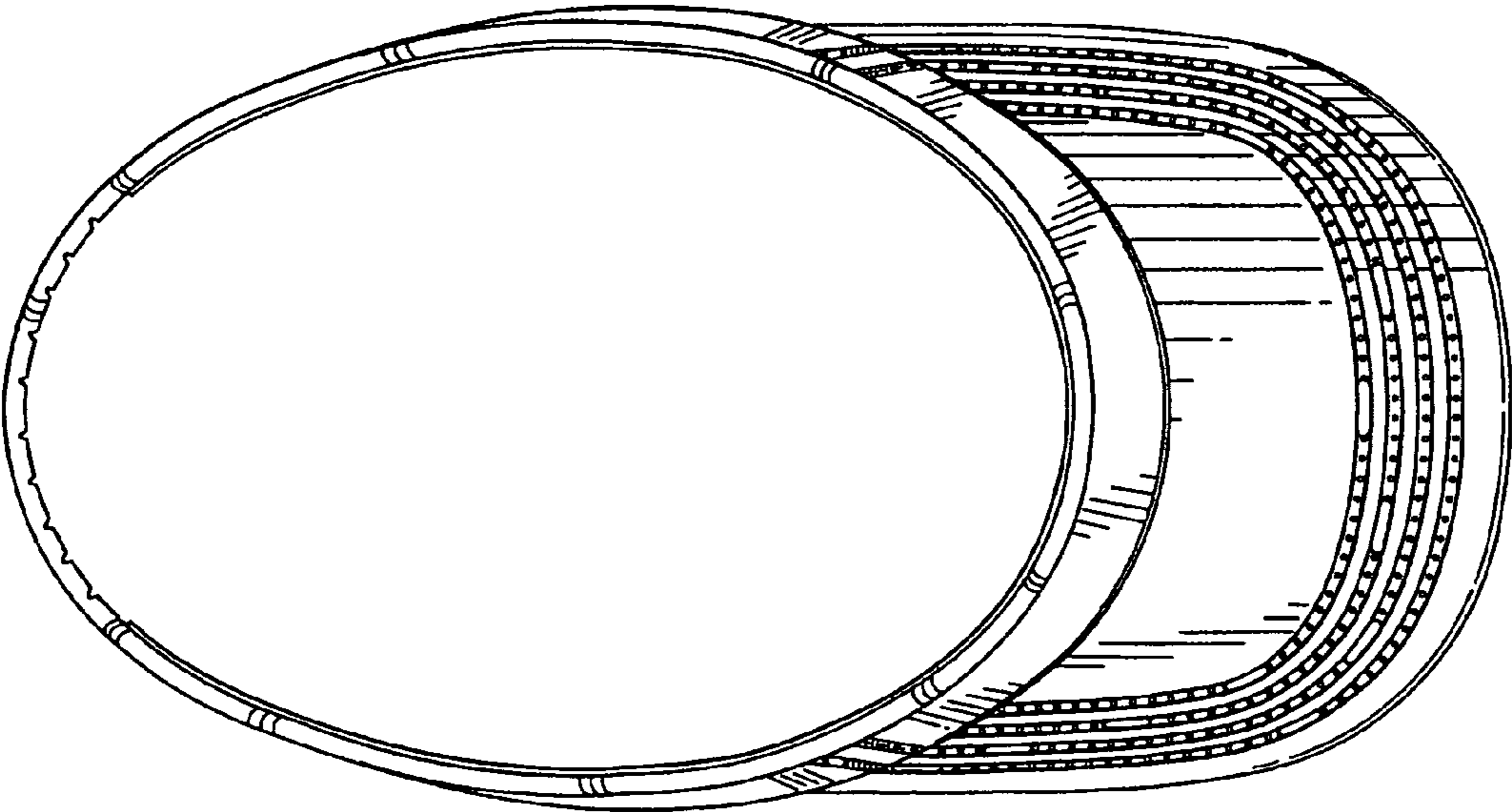


FIG. 8

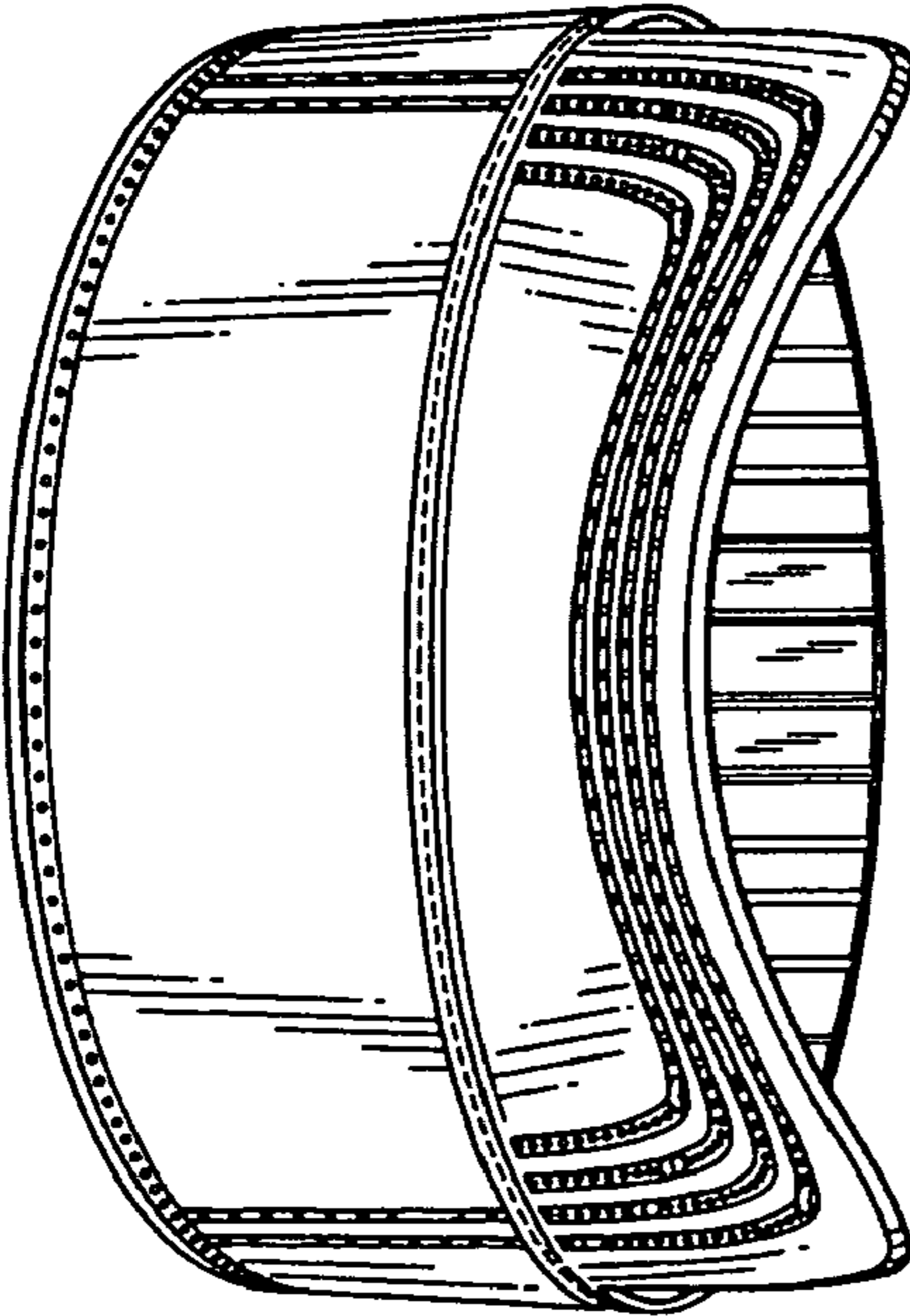


FIG.10

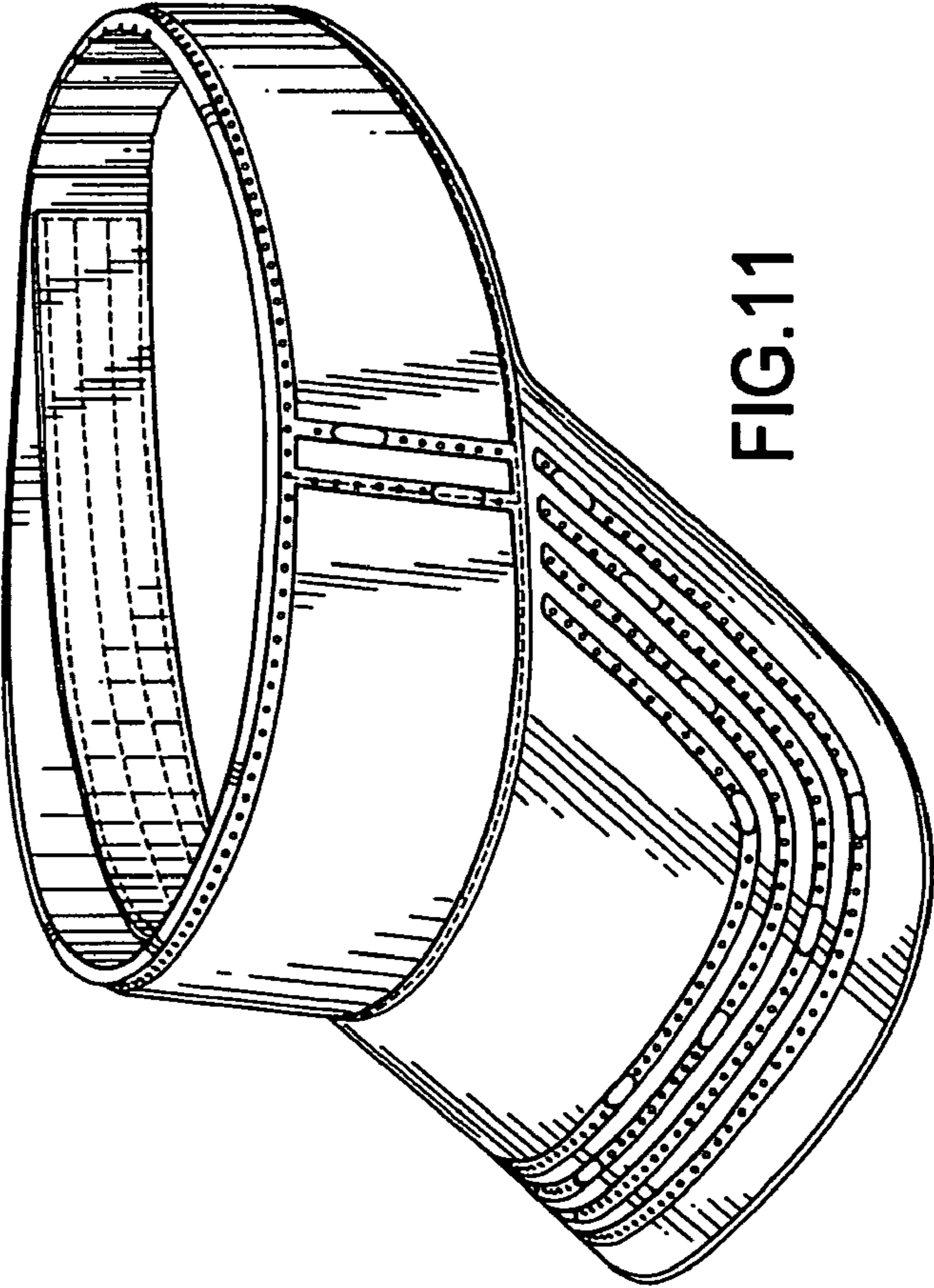


FIG.11