



US00D589224S

(12) **United States Design Patent**
Kilpatrick

(10) **Patent No.:** **US D589,224 S**
(45) **Date of Patent:** **** Mar. 24, 2009**

(54) **PORTABLE TIRE HOIST**

(76) Inventor: **Arthur L. Kilpatrick**, 4908 E. Jacob
Waltz St., Apache Junction, AZ (US)
85219

(**) Term: **14 Years**

(21) Appl. No.: **29/310,225**

(22) Filed: **Aug. 1, 2008**

(51) **LOC (9) Cl.** **12-05**

(52) **U.S. Cl.** **D34/28; D34/31**

(58) **Field of Classification Search** D34/28,
D34/31; 254/131, 8 R, 120, 5; 414/426,
414/427, 433, 428, 430; 280/400, 79.4; D8/31,
D8/14, 88, 89

See application file for complete search history.

(56) **References Cited**

U.S. PATENT DOCUMENTS

2,207,443	A *	7/1940	Schneider	414/428
2,483,908	A *	10/1949	Jackson	414/428
2,546,509	A	3/1951	Duff		
2,613,084	A	10/1952	Burch		
2,619,320	A	11/1952	Miller		
2,640,615	A *	6/1953	Wedel	414/428
2,877,912	A	3/1959	DiGiacomo		
3,123,238	A	3/1964	McKelvey		
3,126,111	A	3/1964	Lewis		
3,463,337	A *	8/1969	Reznicek	414/428
4,583,904	A *	4/1986	Maxwell	414/453
4,872,694	A *	10/1989	Griesinger	280/79.4

D310,283	S	8/1990	Faykosh et al.		
5,176,487	A *	1/1993	Flitton	414/428
D335,739	S *	5/1993	Holman et al.	D34/31
D349,385	S	8/1994	Suggs, Sr.		
5,356,163	A	10/1994	Suggs, Sr.		
5,367,732	A	11/1994	Suggs, Sr.		
D368,416	S *	4/1996	Holman et al.	D8/31
D473,692	S *	4/2003	Tafoya	D34/31
6,557,869	B2	5/2003	Gillette et al.		
D532,575	S *	11/2006	Oberg	D34/28
D532,954	S	11/2006	Donaldson		

* cited by examiner

Primary Examiner—Cynthia E Ramirez

(74) *Attorney, Agent, or Firm*—Robert C. Montgomery;
Eugene A. Vittone, II

(57) **CLAIM**

The ornamental design for a portable tire hoist, as shown and described.

DESCRIPTION

FIG. 1 is a perspective view of the portable tire hoist, as shown and described;

FIG. 2 is a front view thereof;

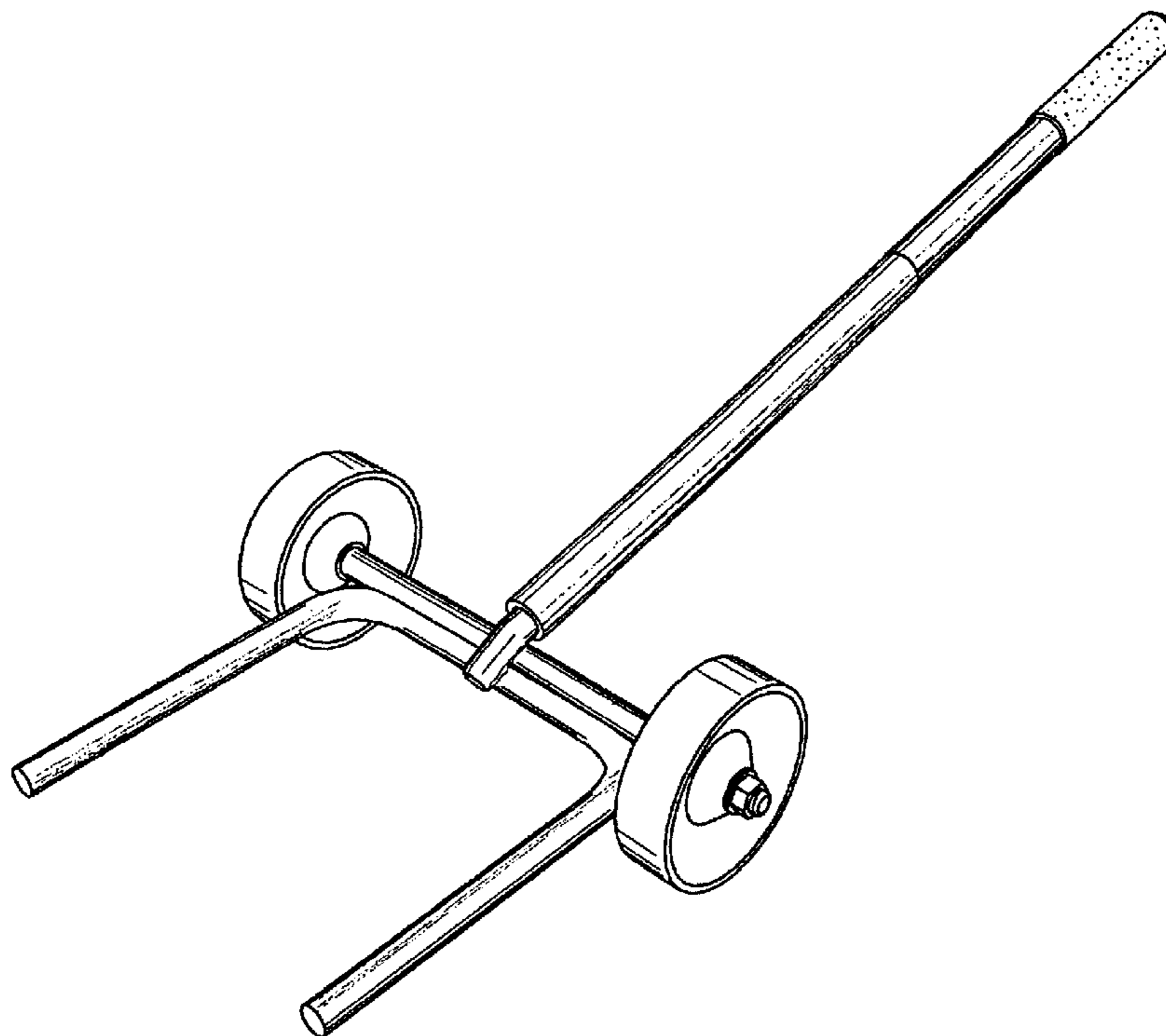
FIG. 3 is a rear view thereof;

FIG. 4 is a side view thereof;

FIG. 5 is a top view thereof; and,

FIG. 6 is a bottom view thereof.

1 Claim, 6 Drawing Sheets



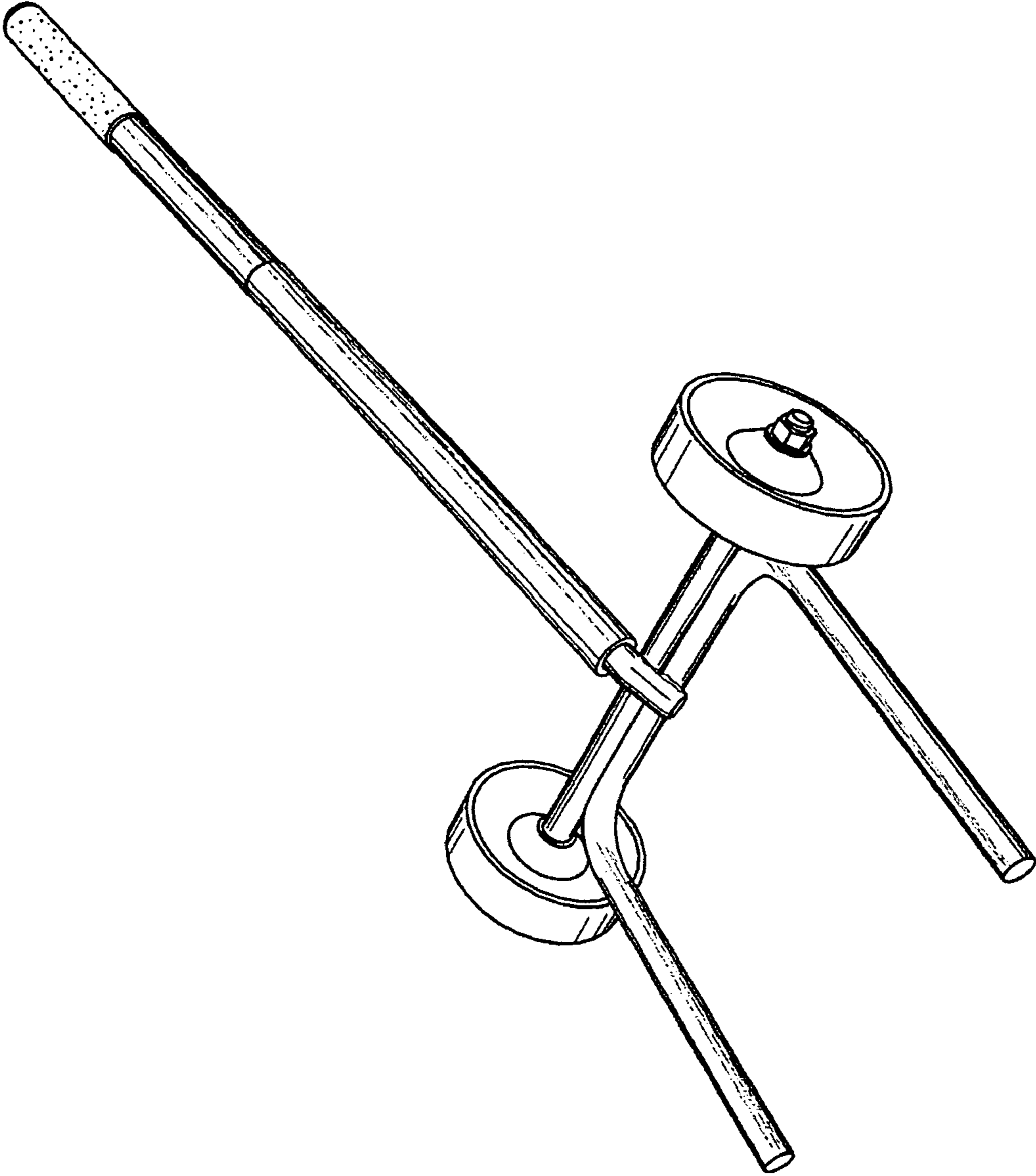


Fig. 1

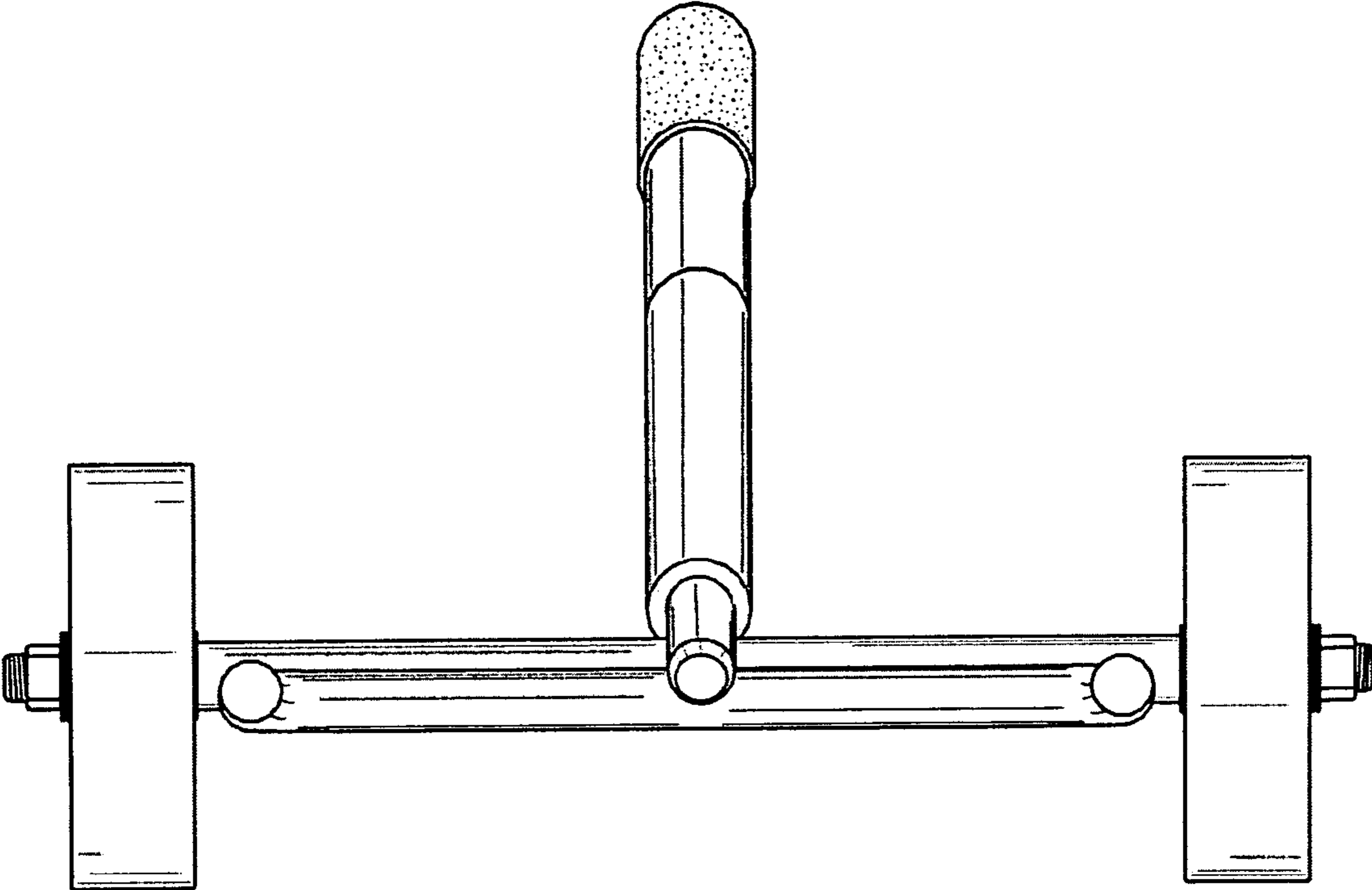


Fig. 2

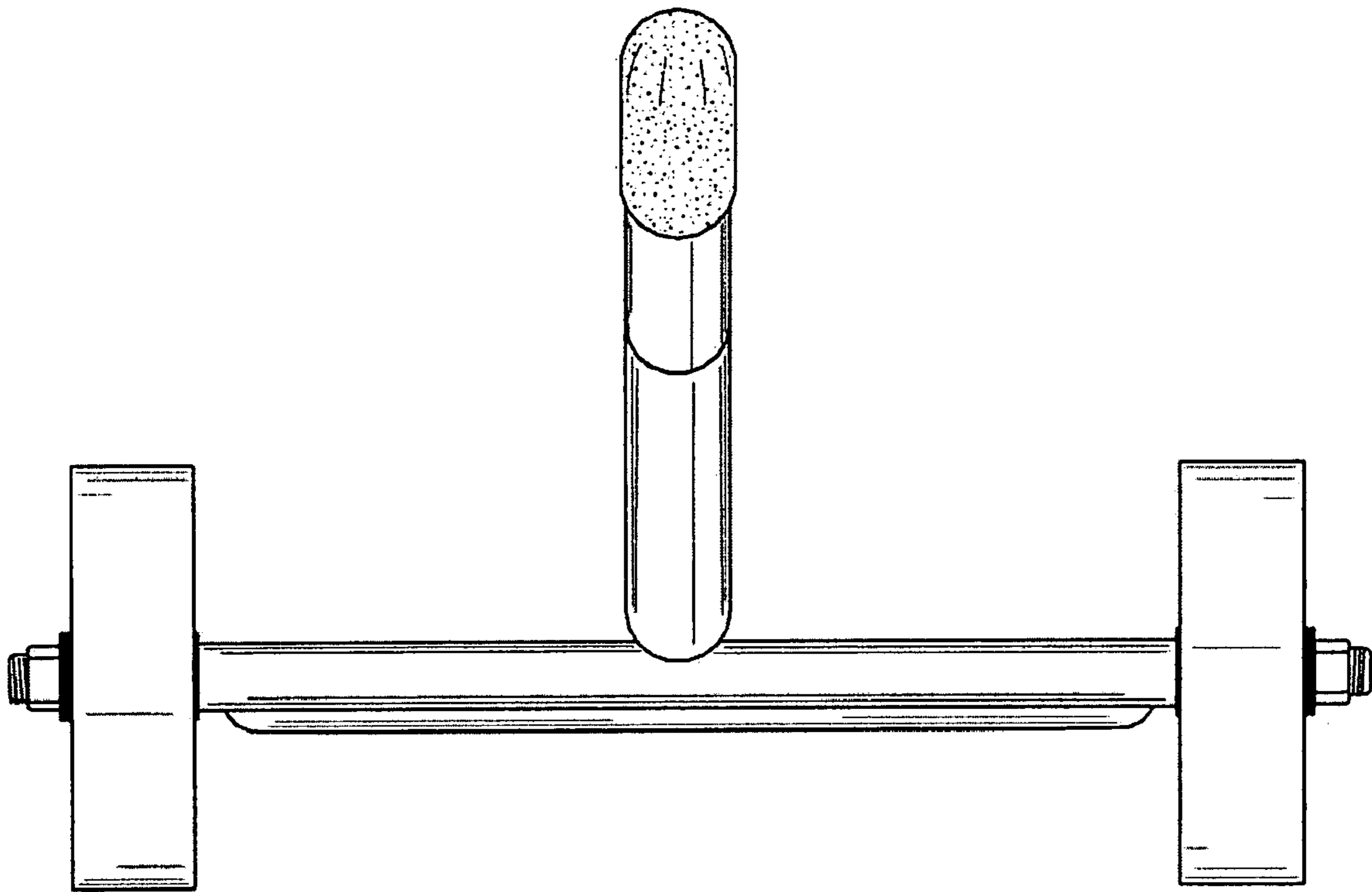


Fig. 3

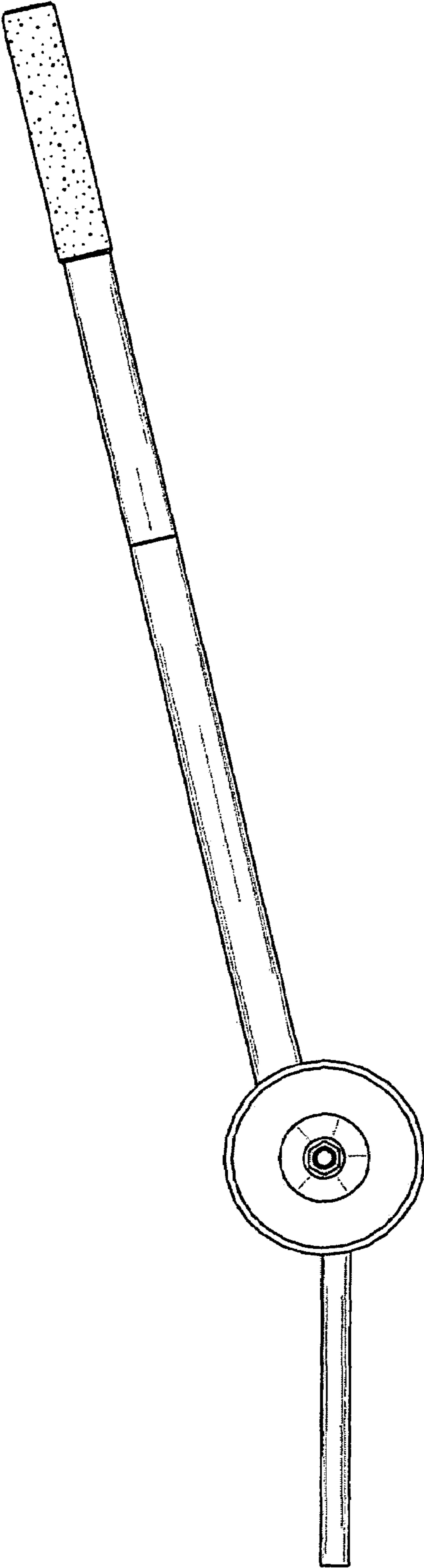


Fig. 4

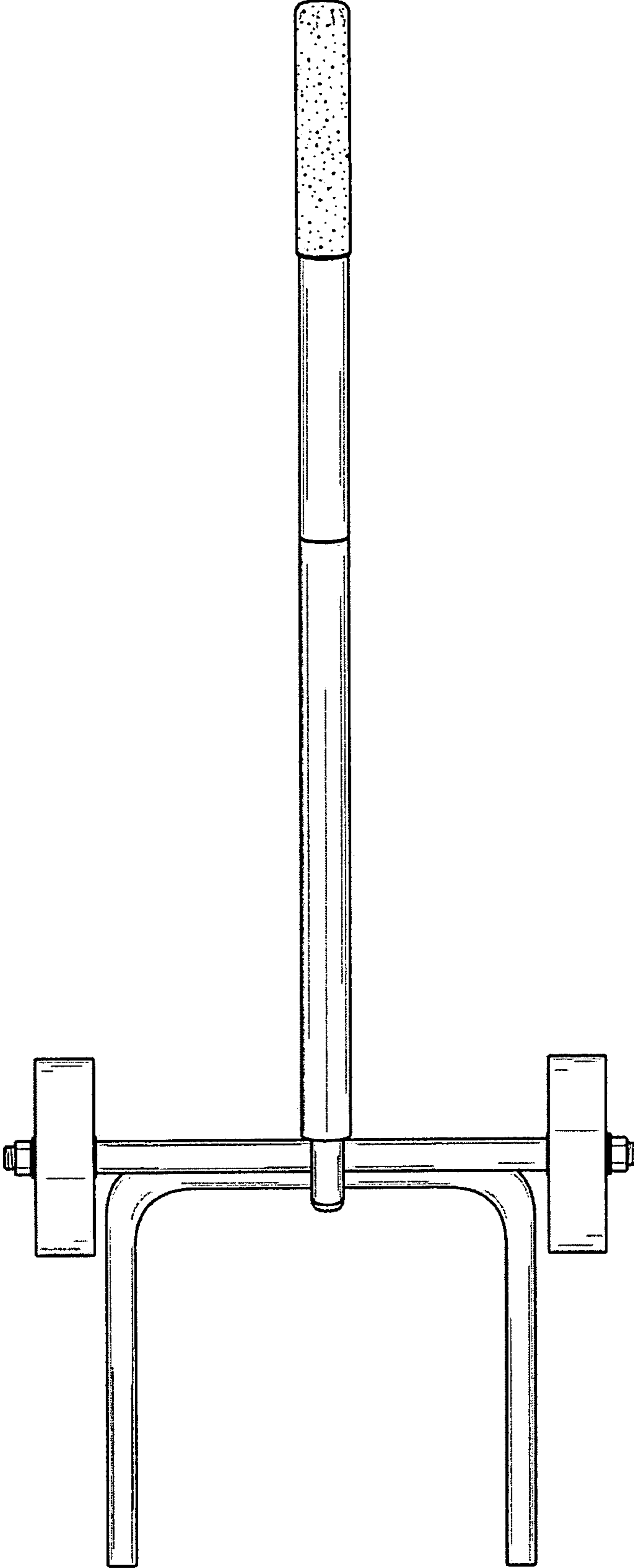


Fig. 5

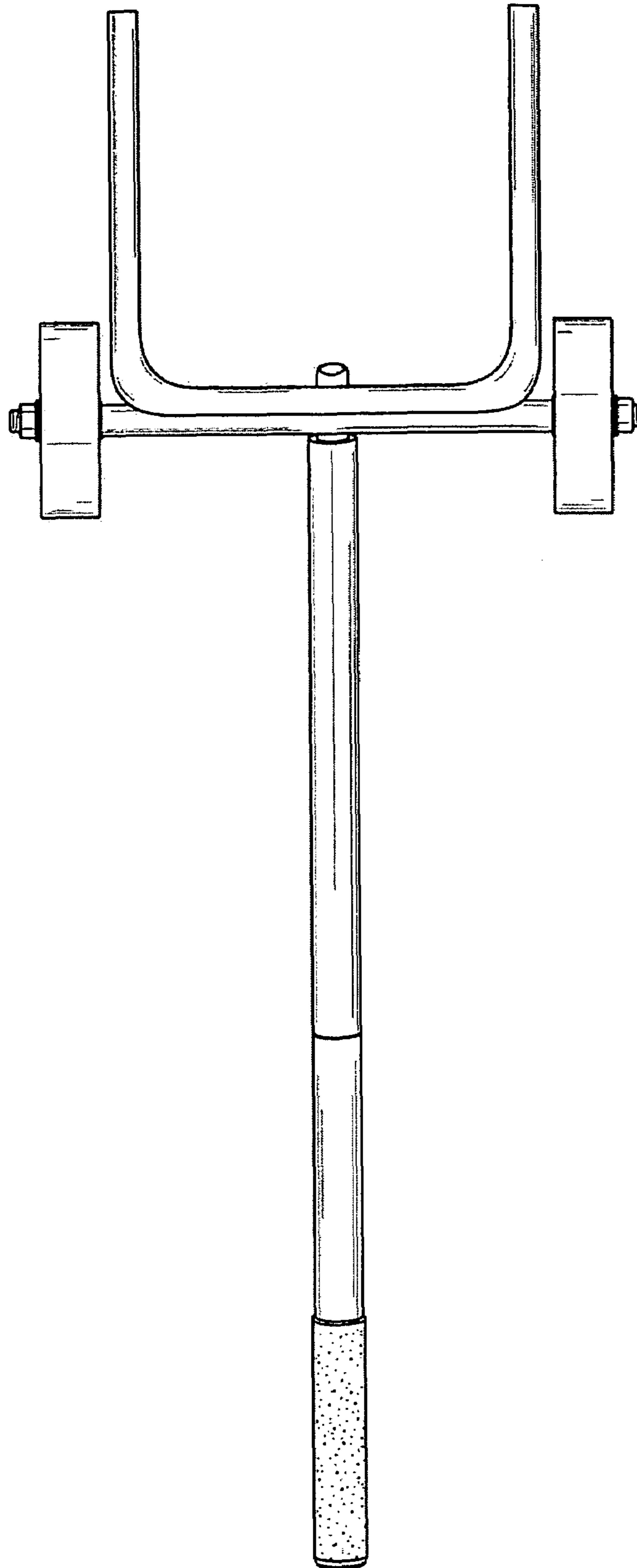


Fig. 6